



US00D961837S

(12) **United States Design Patent**
Zheng et al.

(10) **Patent No.:** **US D961,837 S**

(45) **Date of Patent:** **** Aug. 23, 2022**

(54) **STAR AND MOON PROJECTION LIGHT**

(71) Applicant: **Shenzhen Skoe Technology Co., Ltd.**,
Shenzhen (CN)

(72) Inventors: **Caijian Zheng**, Shenzhen (CN);
Wenzhen Ouyang, Shenzhen (CN);
Xiyuan Lin, Shenzhen (CN)

(**) Term: **15 Years**

(21) Appl. No.: **29/748,538**

(22) Filed: **Aug. 31, 2020**

(51) **LOC (13) Cl.** **26-05**

(52) **U.S. Cl.**
USPC **D26/110; D26/104**

(58) **Field of Classification Search**
USPC D26/24, 51, 52, 93, 104, 106, 108, 110,
D26/112, 118; D14/216; D23/356
CPC F21S 6/00; F21S 9/02; F21S 10/00; F21S
10/06; F21V 3/00; F21V 5/00; F21V
5/007; F21V 5/04; F21V 7/04; F21V
33/00; F21W 2121/00; F21W 2131/30
See application file for complete search history.

(56) **References Cited**

U.S. PATENT DOCUMENTS

D364,676 S	*	11/1995	Chiu	D23/356
D757,307 S	*	5/2016	Wallach	D26/24
D779,109 S	*	2/2017	Wallach	D26/97
D807,327 S	*	1/2018	Xiong	D14/216
D815,150 S	*	4/2018	Hu	D14/496
D828,331 S	*	9/2018	Li	D14/216
D858,861 S	*	9/2019	Lin	D26/108
D875,994 S	*	2/2020	Yu	D26/104
D898,271 S	*	10/2020	Zheng	D26/110
D901,747 S	*	11/2020	Lin	D26/94
D912,883 S	*	3/2021	Zheng	F21V 33/0056 D26/110
D914,958 S	*	3/2021	Zheng	D26/110
D917,774 S	*	4/2021	Wang	D26/110
D919,875 S	*	5/2021	Peng	D26/110

D919,876 S	*	5/2021	Ouyang	D26/110
D922,664 S	*	6/2021	Li	D26/106
D927,045 S	*	8/2021	Li	D26/110
D927,751 S	*	8/2021	Zheng	D26/51
D927,767 S	*	8/2021	Zheng	D26/110
D930,212 S	*	9/2021	Liu	D26/63

(Continued)

FOREIGN PATENT DOCUMENTS

EM	008158802-0003	*	9/2020
GB	90008158802-0003	*	9/2020

OTHER PUBLICATIONS

Bietrun Star Projector, Sep. 18, 2020, Amazon.com, site visited Jan. 13, 2022, url: <https://www.amazon.com/dp/B08JH1PWQB> (Year: 2020).*

(Continued)

Primary Examiner — T Chase Nelson
Assistant Examiner — Rachel Wolfe

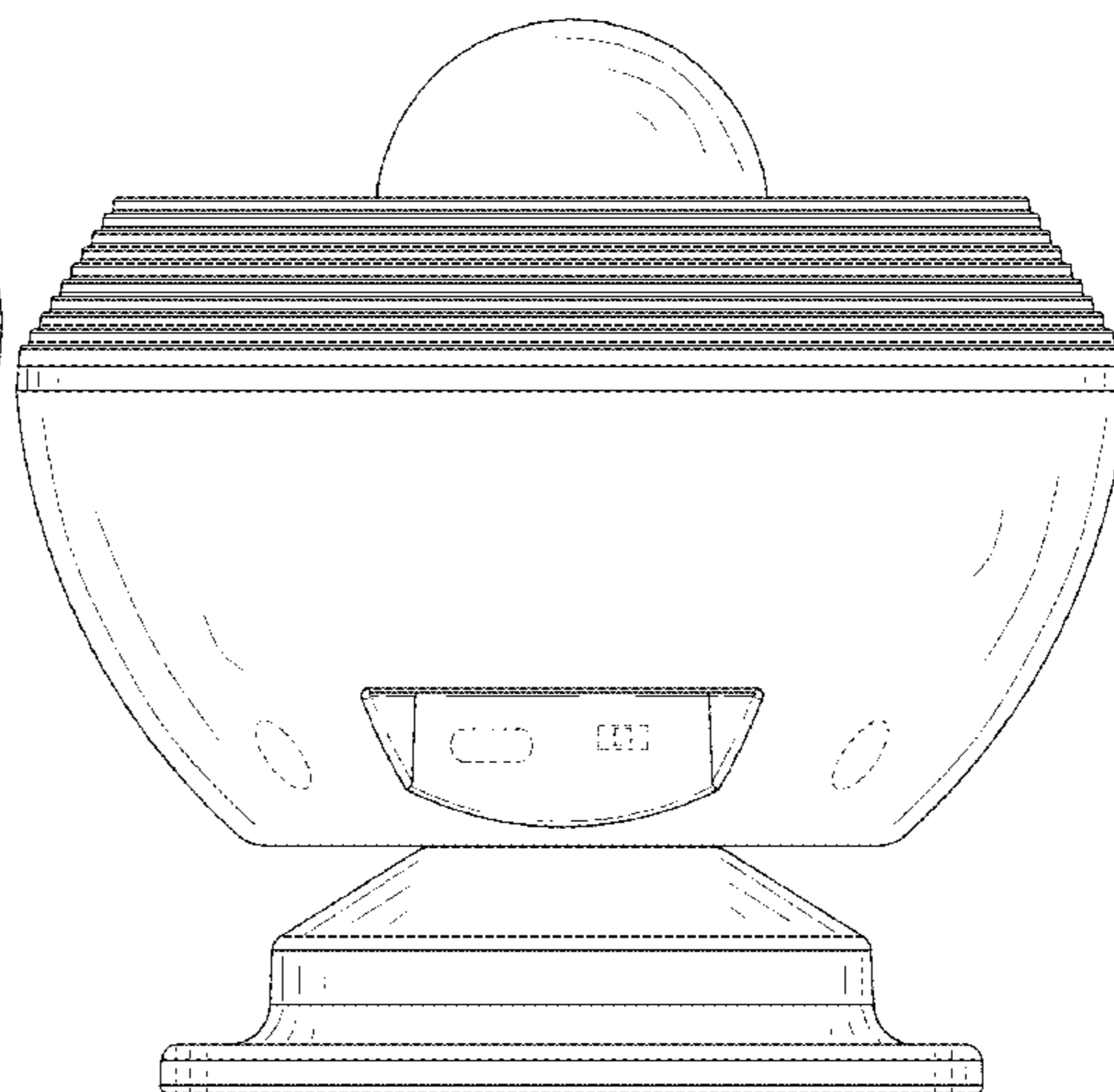
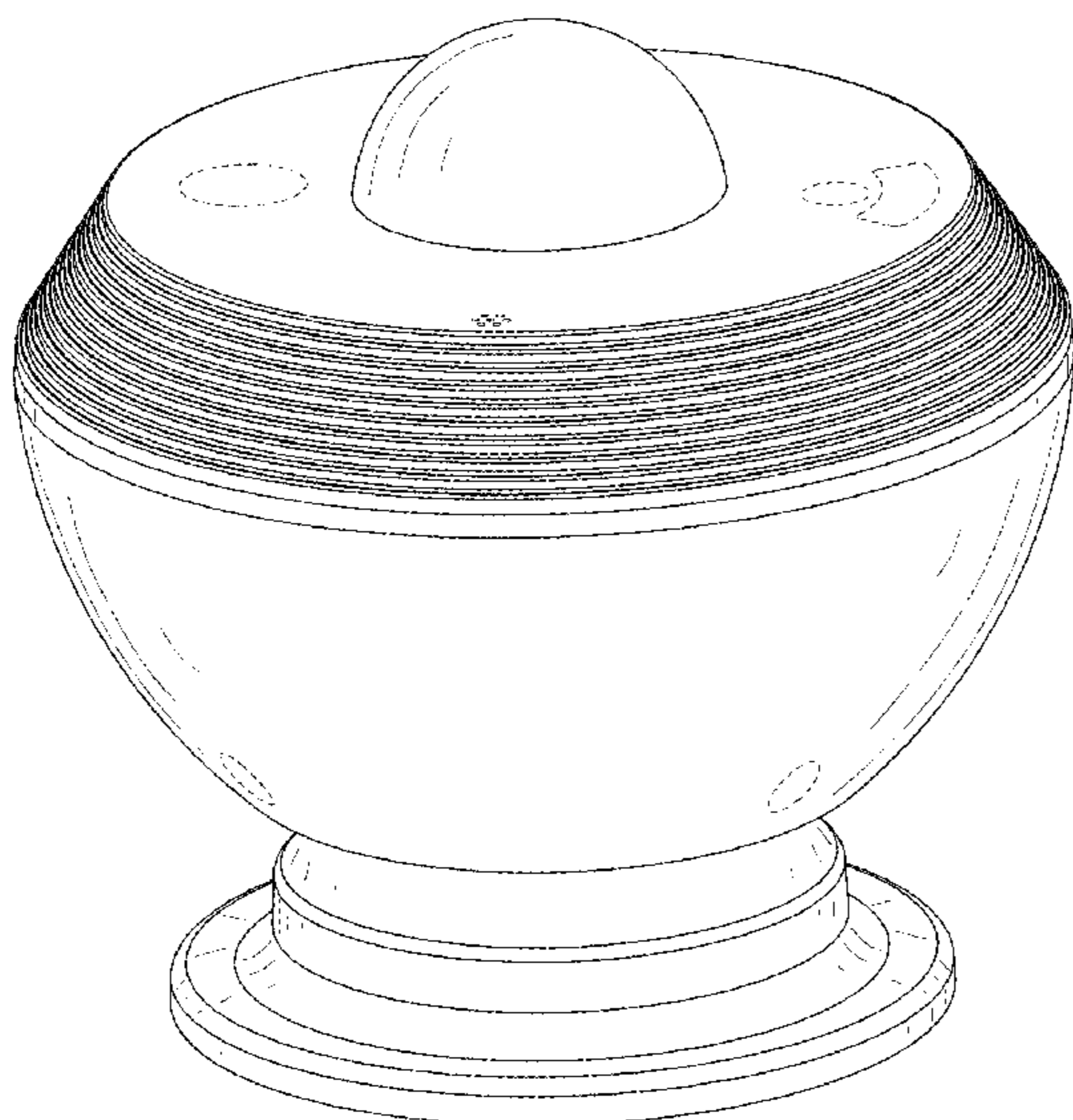
(57) **CLAIM**

The ornamental design for a star and moon projection light, as shown and described.

DESCRIPTION

FIG. 1 is a first perspective view of a star and moon projection light showing our new design; FIG. 2 is a second perspective view thereof; FIG. 3 is a front view thereof; FIG. 4 is a back view thereof; FIG. 5 is a left side view thereof; FIG. 6 is a right side view thereof; FIG. 7 is a top view thereof; and, FIG. 8 is a bottom view thereof. The broken lines shown in the drawings depict portions of the star and moon projection light in which the design is embodied that form no part of the claimed design.

1 Claim, 8 Drawing Sheets



(56)

References Cited

U.S. PATENT DOCUMENTS

11,118,753 B1 * 9/2021 Zheng F21V 3/049
D933,282 S * 10/2021 Ji D26/93
2021/0164628 A1 * 6/2021 Zheng F21S 10/00
2021/0247039 A1 * 8/2021 Zheng F21S 10/007
2021/0364142 A1 * 11/2021 Zheng F21V 33/0056
2021/0381666 A1 * 12/2021 Zheng F21V 14/04

OTHER PUBLICATIONS

Galaxy Projector Review, May 20, 2020, YouTube, site visited Dec. 30, 2021, url: <https://www.youtube.com/watch?v=9mHWCgY9ZPE> (Year: 2020).*

Jueji Star Projector, Mar. 31, 2021, Amazon.com, site visited Jan. 13, 2022, url: <https://www.amazon.com/dp/B09DSDG21H> (Year: 2021).*

* cited by examiner

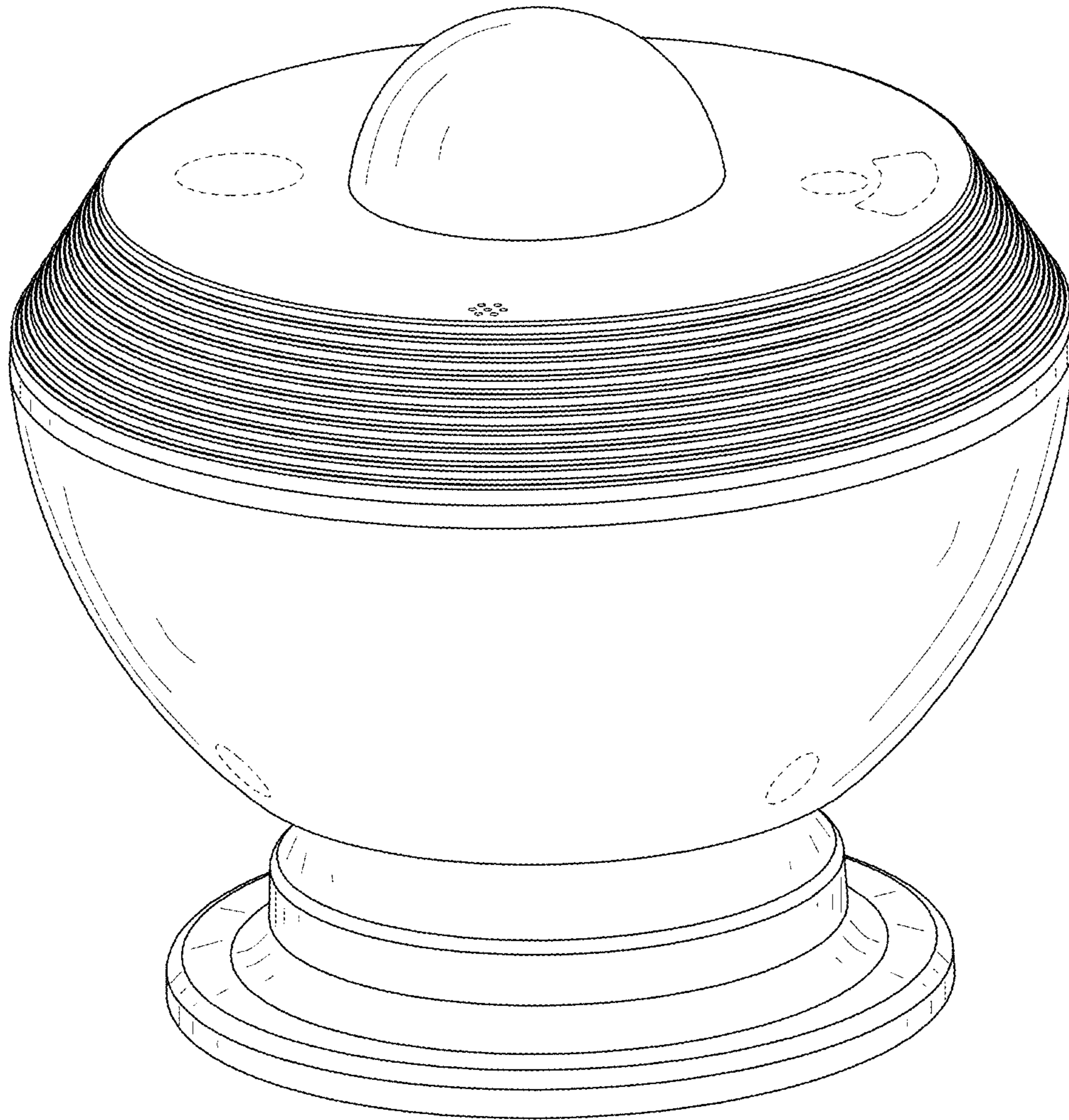


FIG. 1

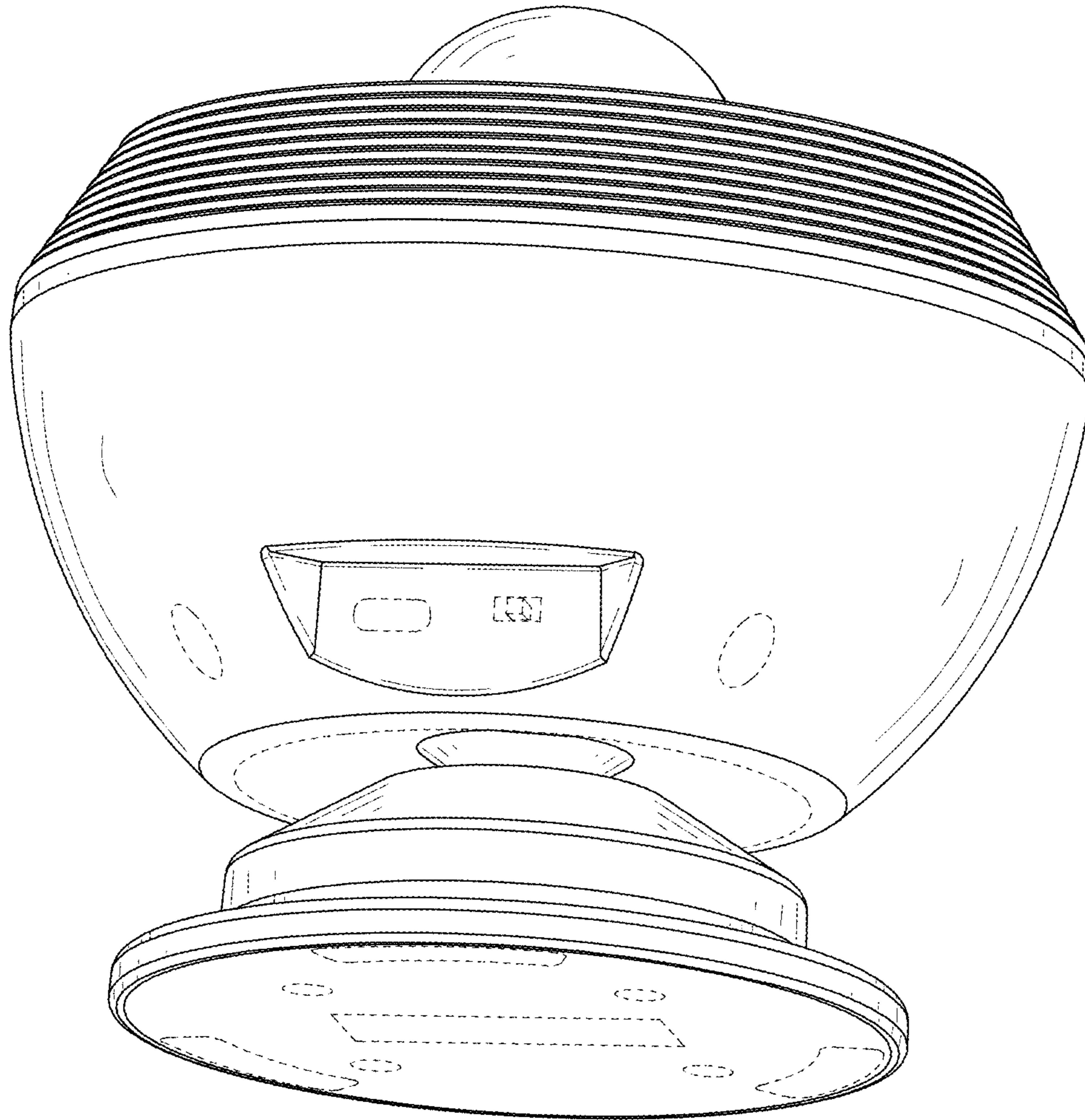


FIG. 2

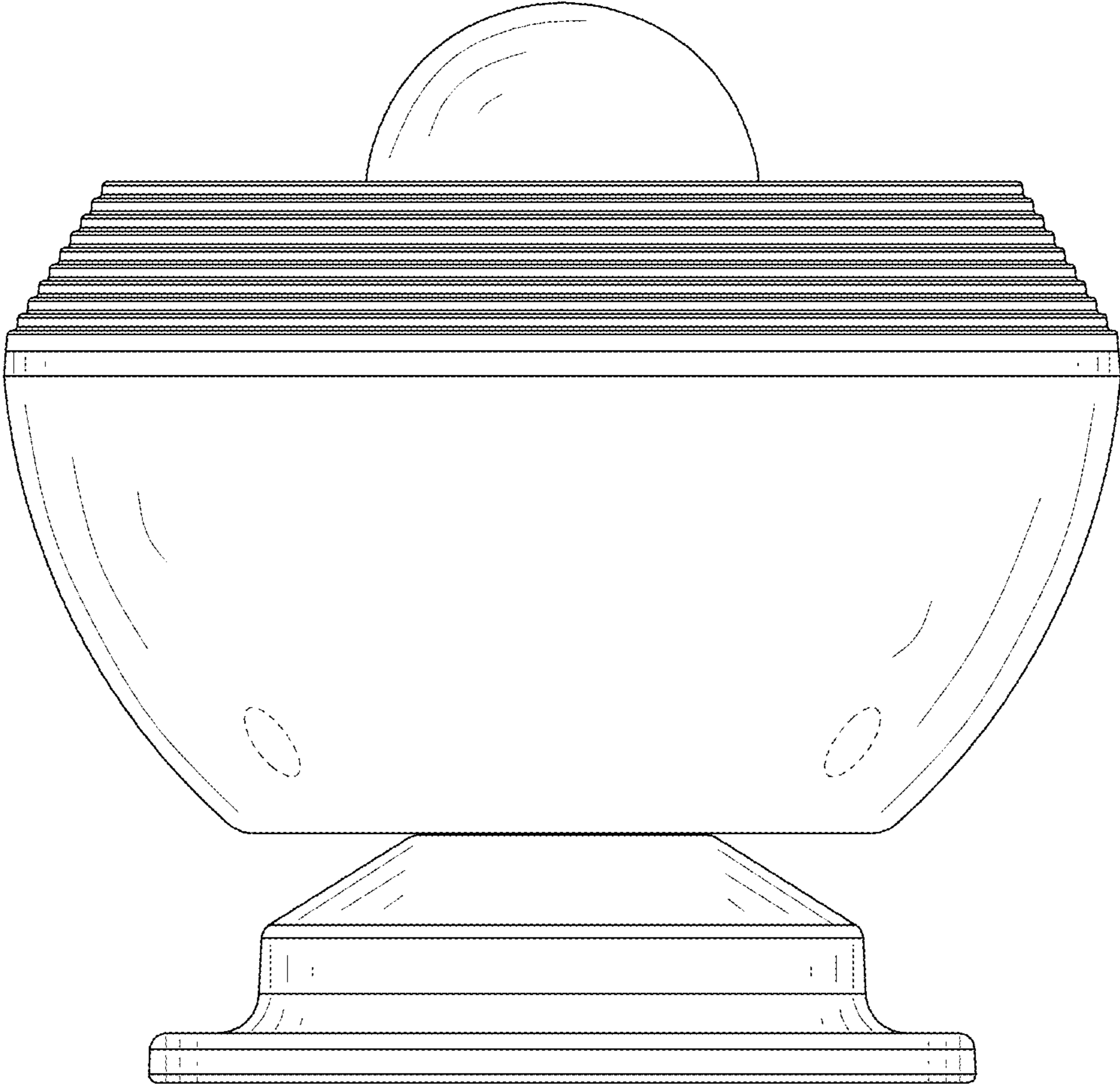


FIG. 3

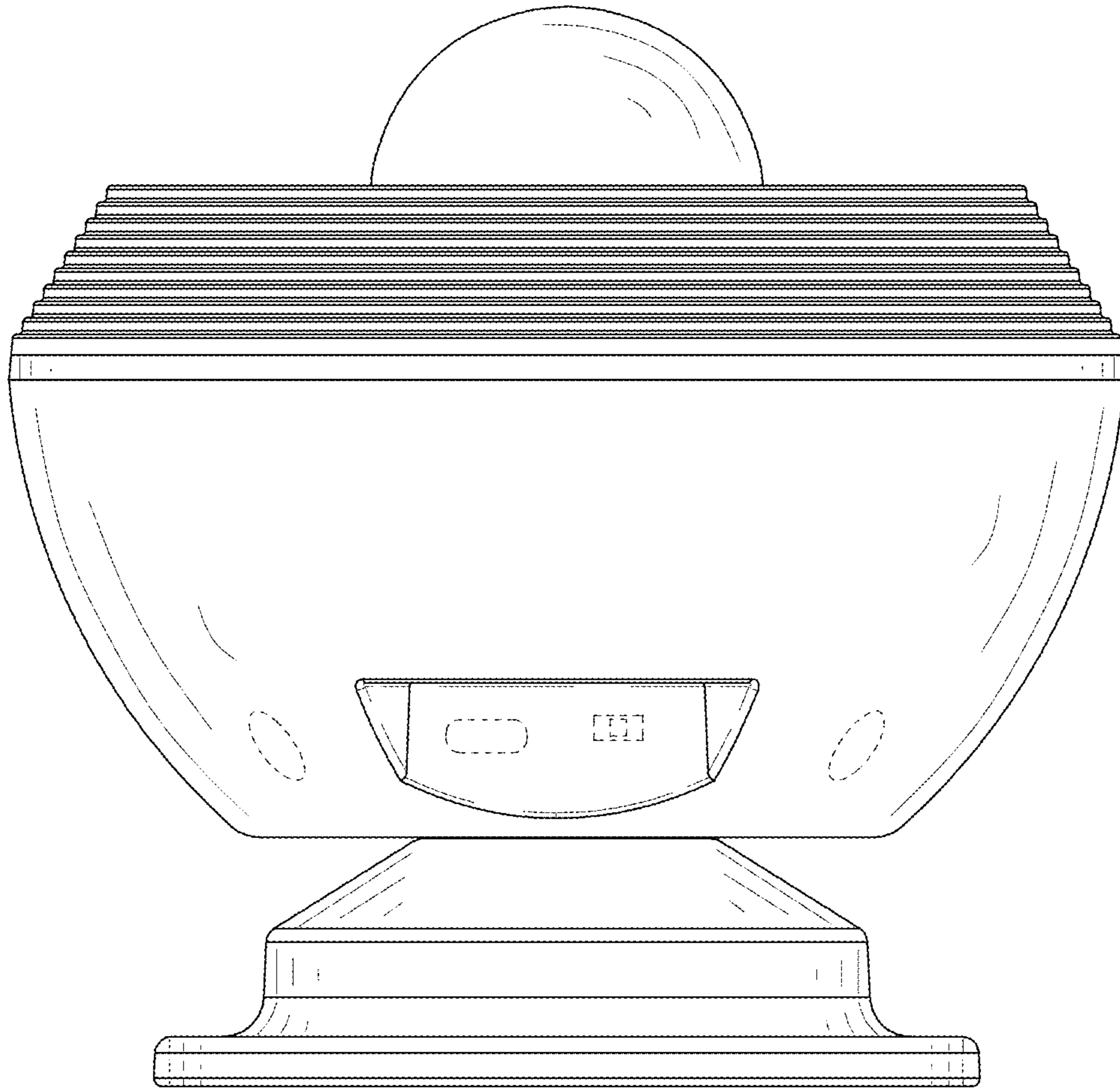


FIG. 4

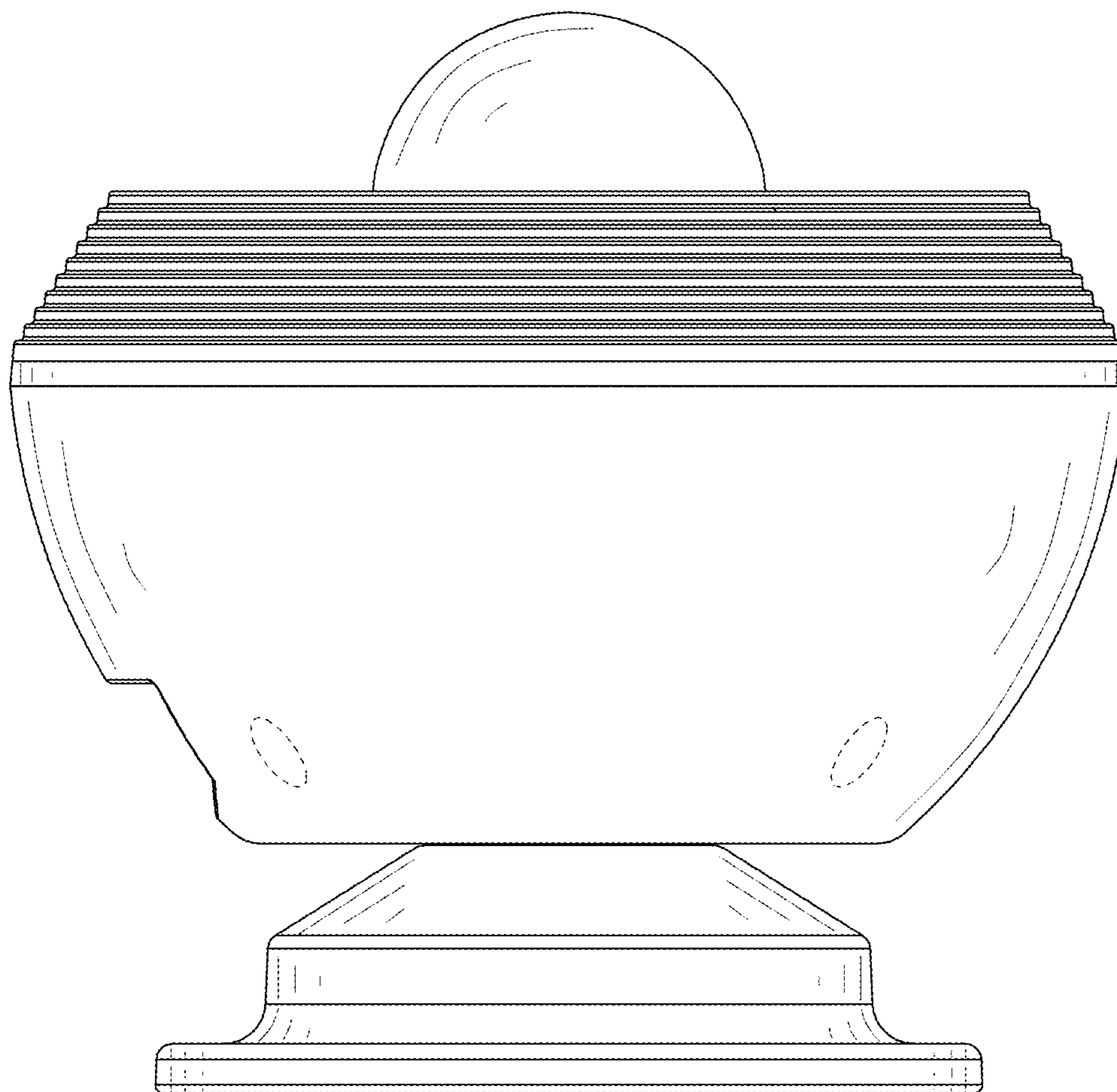


FIG. 5

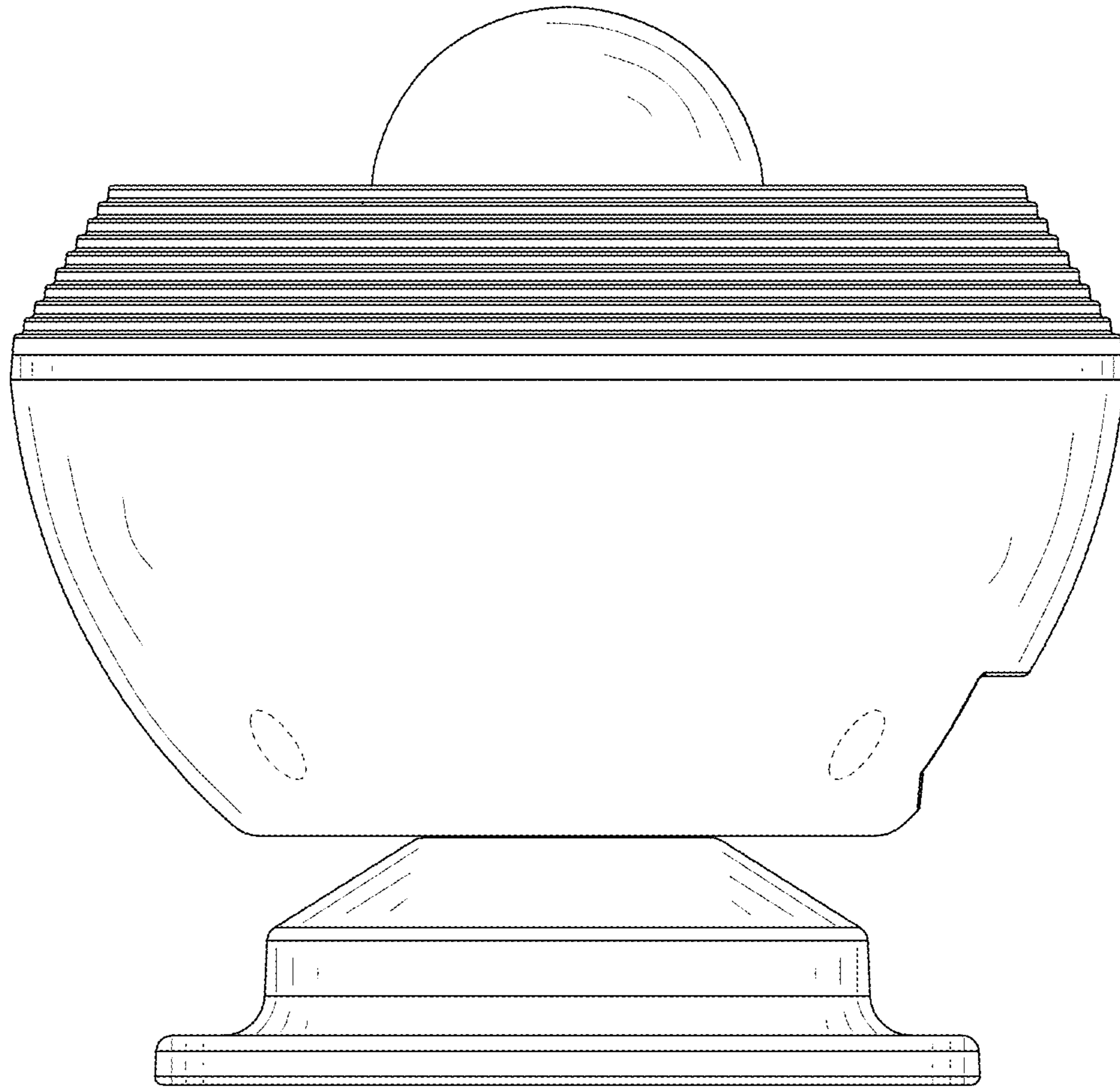


FIG. 6

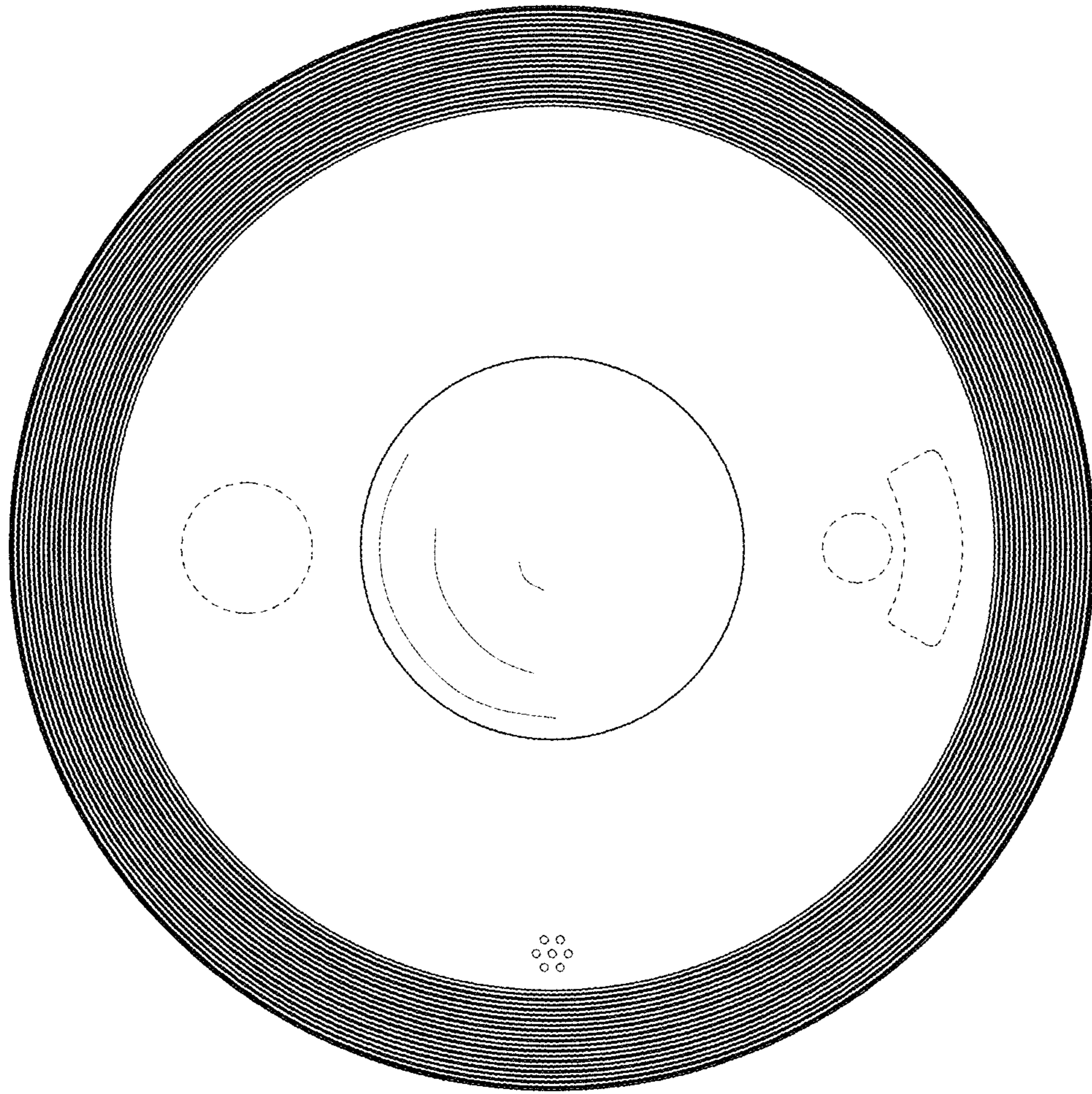


FIG. 7

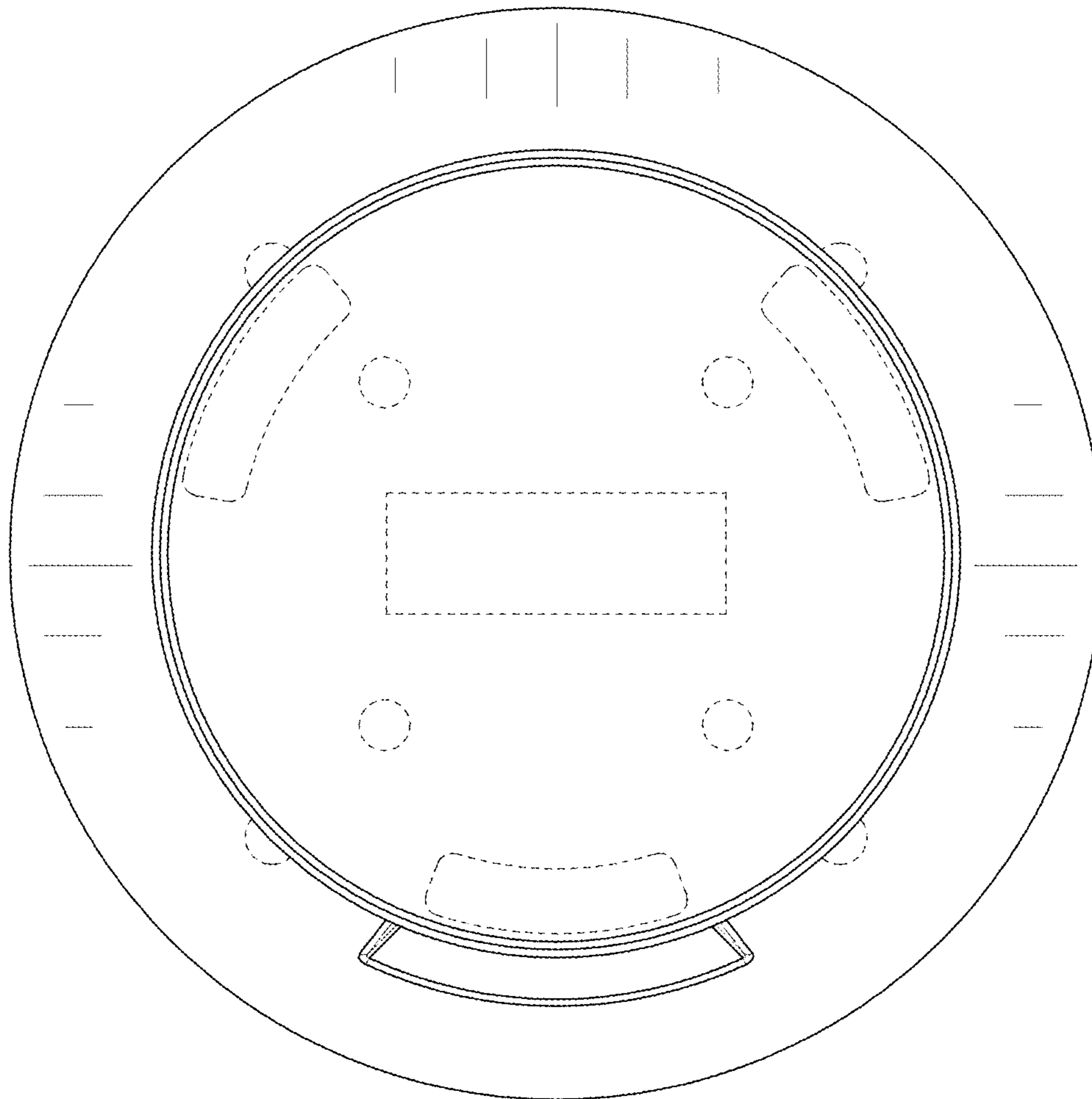


FIG. 8