



US00D961835S

(12) **United States Design Patent**  
**Hsu**

(10) **Patent No.:** **US D961,835 S**

(45) **Date of Patent:** **\*\* Aug. 23, 2022**

(54) **LAMP**

(71) Applicant: **Dong Guan Jia Sheng Lighting Technology Co., Ltd. China,**  
Dong-Guna (CN)

(72) Inventor: **Kevin Hsu,** Taichung (TW)

(73) Assignee: **Dong Guan Jia Sheng Lighting Technology Co., Ltd. China,**  
Guang-Dong (CN)

(\*\*) Term: **15 Years**

(21) Appl. No.: **29/735,592**

(22) Filed: **May 22, 2020**

(51) **LOC (13) Cl.** ..... **26-05**

(52) **U.S. Cl.**  
USPC ..... **D26/93; D23/332; D23/342**

(58) **Field of Classification Search**  
USPC ..... D26/24, 51, 56, 61, 63, 64, 65, 93, 94,  
D26/100, 106, 107, 68; D23/330, 332,  
D23/336, 342

CPC .... F21S 6/00; F21S 6/002; F21S 6/003; F21S  
6/004; F21S 6/005; F21S 6/006; F21S  
8/036; F21V 21/06; F21V 21/14; F21V  
21/26; F21V 21/30; F21V 12/01; F24C  
3/00; F24C 3/04; F24C 3/10

See application file for complete search history.

(56) **References Cited**

**U.S. PATENT DOCUMENTS**

D325,963 S \* 5/1992 Anderson ..... D26/68  
5,678,918 A \* 10/1997 Lin ..... F21S 8/00  
362/96  
D397,469 S \* 8/1998 Yumita ..... D26/65  
D420,758 S \* 2/2000 Yang ..... D26/106  
D446,290 S \* 8/2001 Jeng ..... D23/328

D451,988 S \* 12/2001 Ashton ..... D23/328  
D452,301 S \* 12/2001 Schwartz ..... D22/123  
D462,426 S \* 9/2002 Jeng ..... D23/328  
D465,836 S \* 11/2002 Smith ..... D23/342  
D467,674 S \* 12/2002 Hsieh ..... D26/63  
D470,232 S \* 2/2003 Yeh ..... D23/339  
D496,484 S \* 9/2004 Lam ..... D26/63  
D588,302 S \* 3/2009 Chen ..... D26/93  
D595,442 S \* 6/2009 Chan ..... D26/61  
D597,696 S \* 8/2009 Sabernig ..... D26/68  
D608,431 S \* 1/2010 Wang ..... D23/314  
D619,745 S \* 7/2010 Kung ..... D26/61  
D625,039 S \* 10/2010 Citterio ..... D26/110  
D629,951 S \* 12/2010 Sooferian ..... D26/68  
D663,457 S \* 7/2012 Ho ..... D26/68  
D707,380 S \* 6/2014 Sooferian ..... D26/68  
D809,694 S \* 2/2018 Galipeau ..... D26/68  
D810,352 S \* 2/2018 Bibby ..... D26/107  
10,107,493 B2 \* 10/2018 Wang ..... F23D 14/28  
D872,347 S \* 1/2020 Probyn ..... D26/106  
D878,664 S \* 3/2020 De Majo ..... D26/93

(Continued)

*Primary Examiner* — Wan Laymon

*Assistant Examiner* — Clint A Samuel

(74) *Attorney, Agent, or Firm* — Alan D. Kamrath; Karin  
L. Williams; Mayer & Williams PC

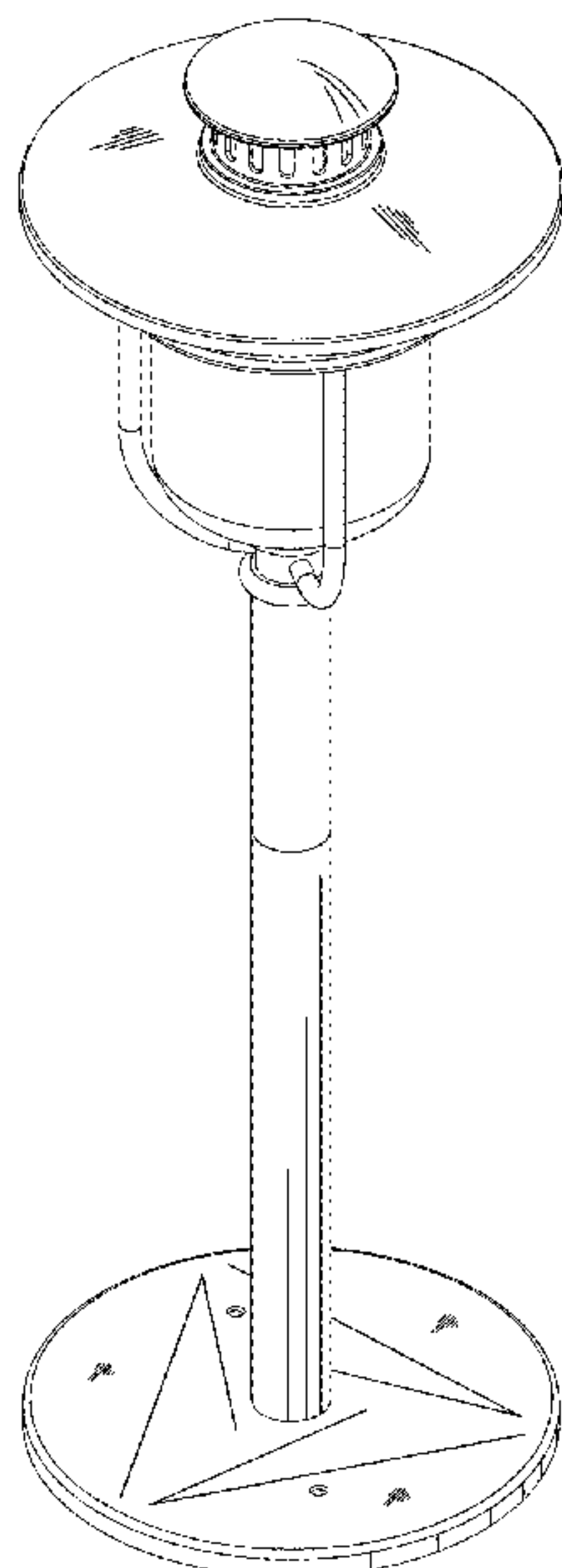
(57) **CLAIM**

The ornamental design for a lamp, as shown and described.

**DESCRIPTION**

FIG. 1 is a perspective view of a lamp showing my design.  
FIG. 2 is a front elevational view thereof.  
FIG. 3 is a rear elevational view thereof.  
FIG. 4 is a left side elevational view thereof.  
FIG. 5 is a right side elevational view thereof.  
FIG. 6 is a top plan view thereof; and,  
FIG. 7 is a bottom plan view thereof.  
The portions of the lamp shown in broken lines form no part  
of the claimed design.

**1 Claim, 6 Drawing Sheets**



(56)

**References Cited**

U.S. PATENT DOCUMENTS

D919,163 S \* 5/2021 Weisdorf ..... F21S 6/00  
D26/106  
D936,261 S \* 11/2021 Sherman ..... D26/51  
D944,442 S \* 2/2022 Chen ..... D26/93  
2009/0223512 A1\* 9/2009 Konkle ..... F24C 1/10  
126/92 AC  
2010/0065047 A1\* 3/2010 Wang ..... F23D 14/151  
126/92 AC  
2011/0073095 A1\* 3/2011 Bechtold ..... F24C 1/12  
126/58  
2016/0223204 A1\* 8/2016 Wang ..... F23D 14/148  
2016/0231002 A1\* 8/2016 Wang ..... F23D 14/148  
2016/0252245 A1\* 9/2016 Wang ..... F23D 14/151  
126/92 B  
2019/0301740 A1\* 10/2019 Daniels ..... F23C 3/002  
2020/0292155 A1\* 9/2020 Kallus ..... F21V 17/002

\* cited by examiner

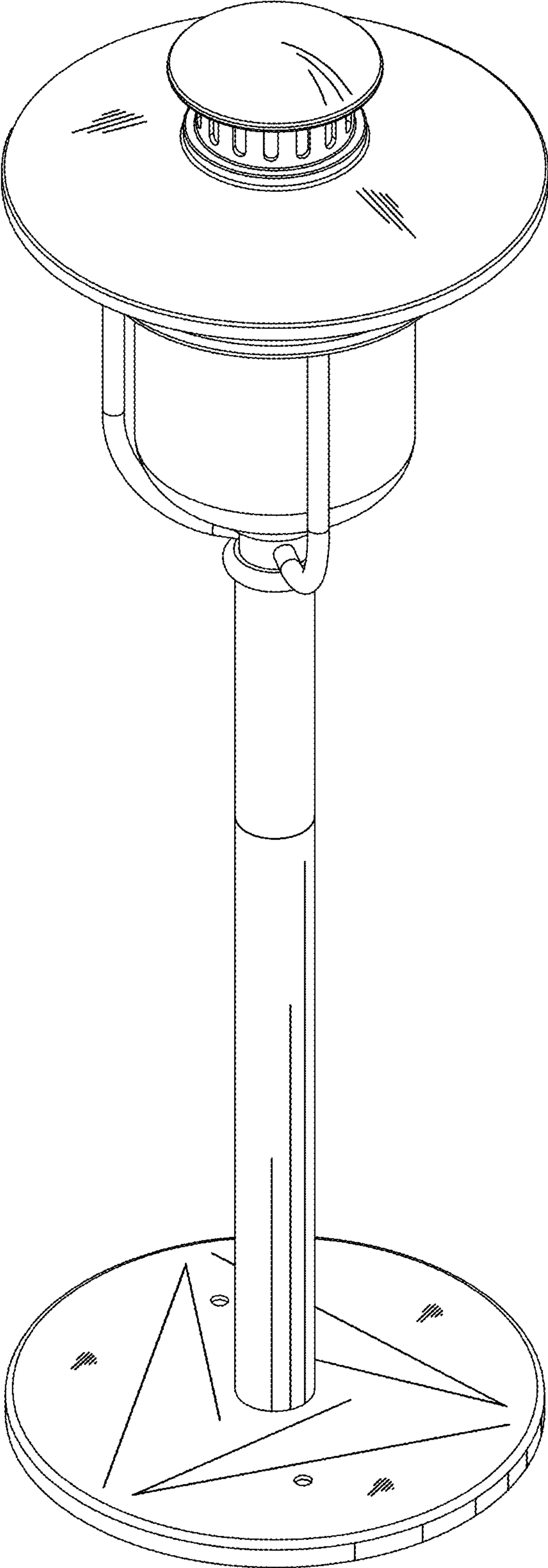


FIG.1

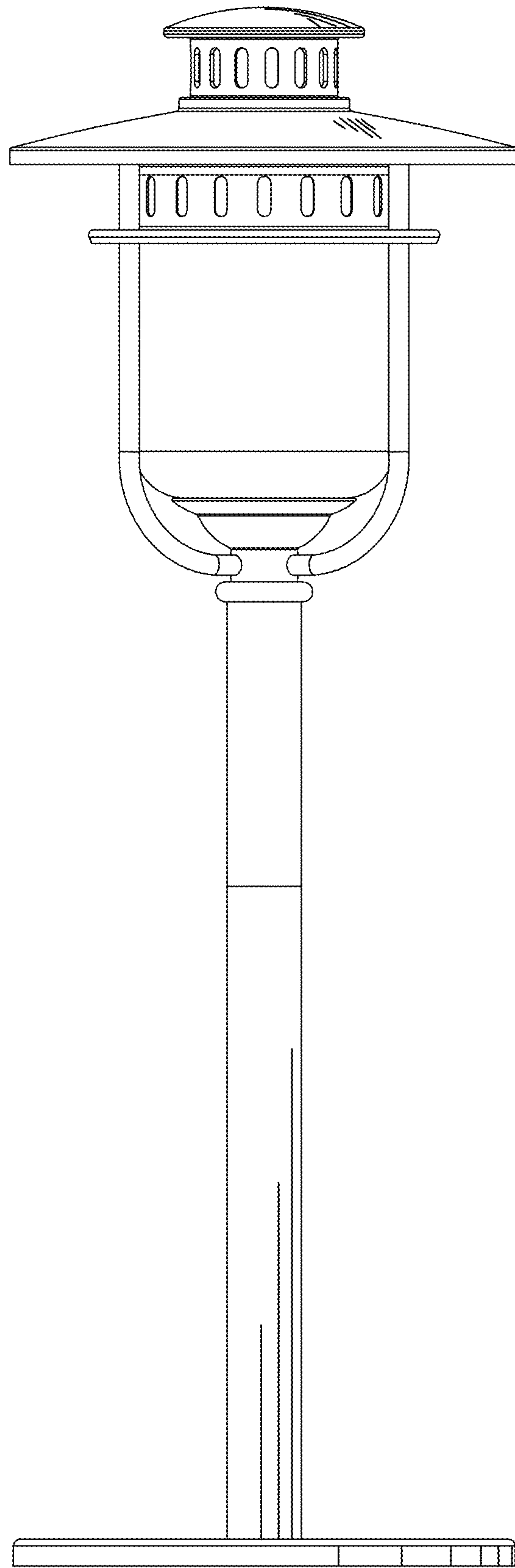


FIG.2

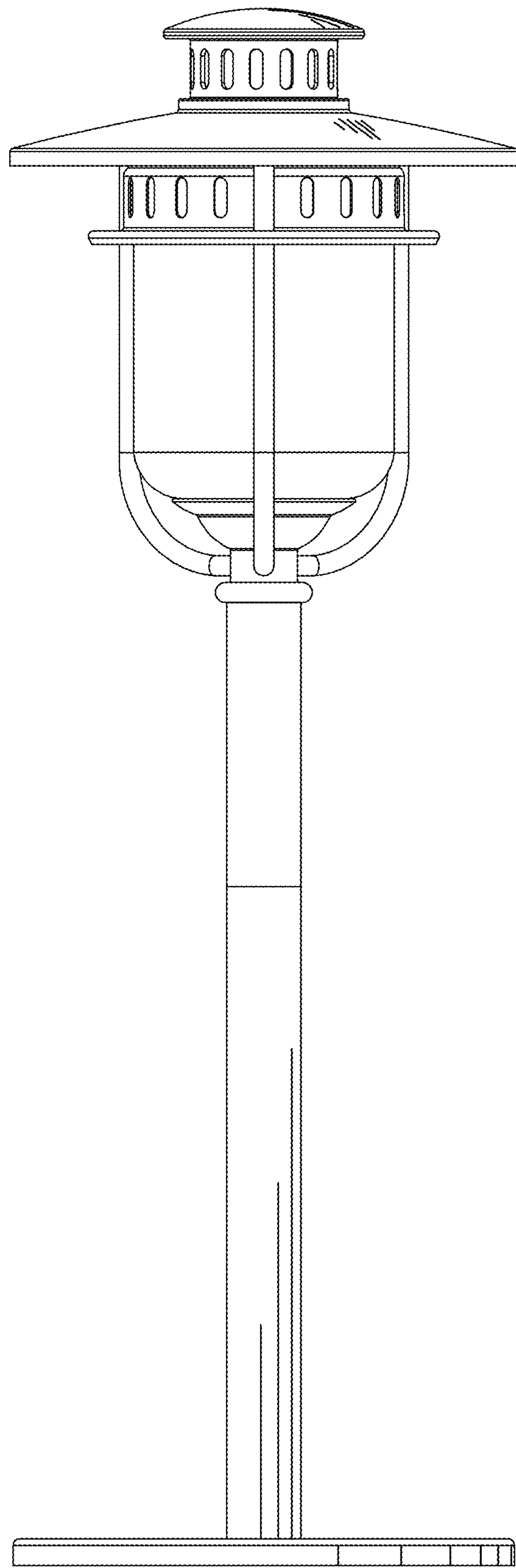


FIG.3

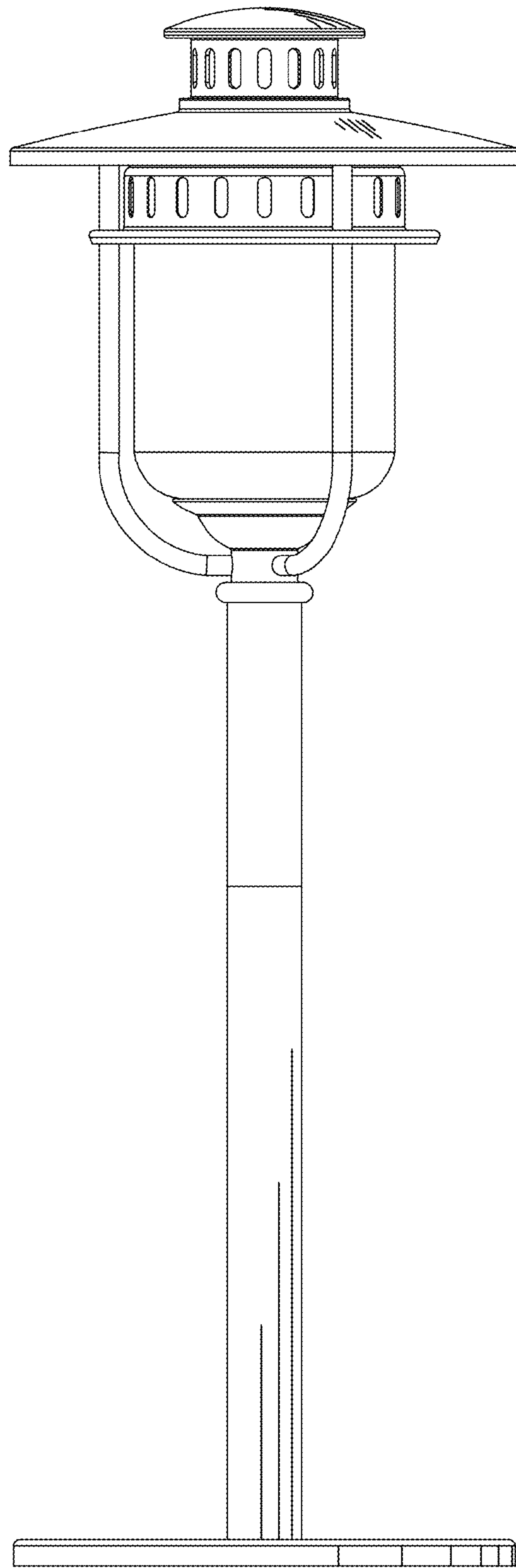


FIG. 4

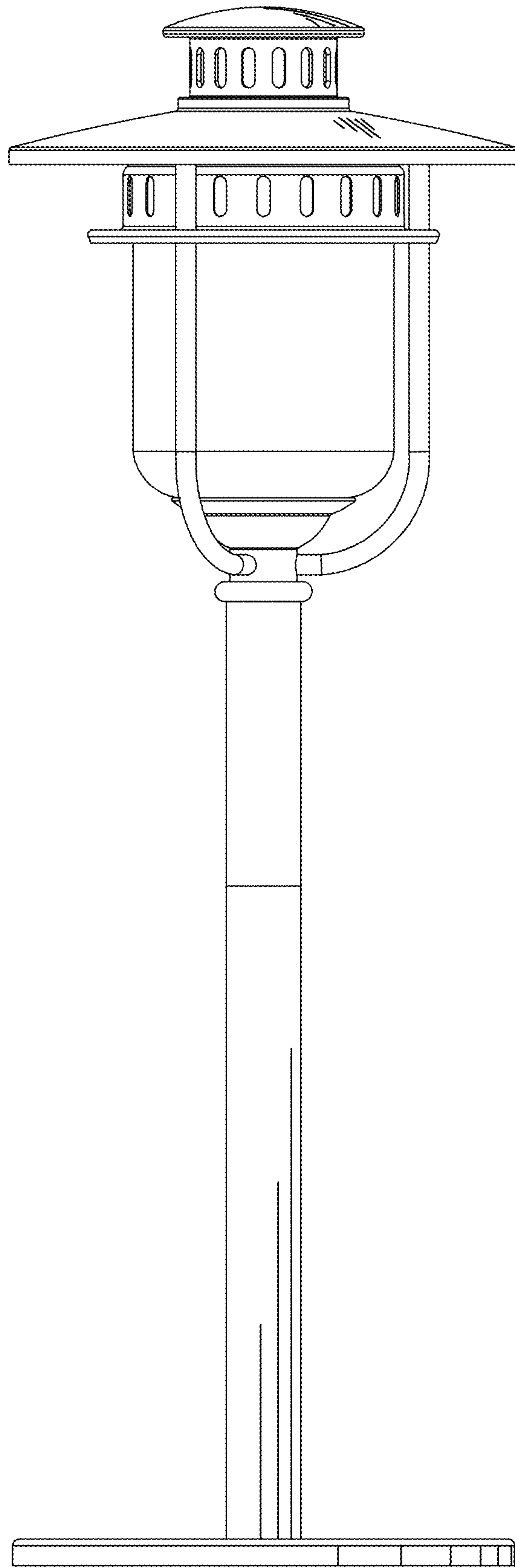


FIG.5



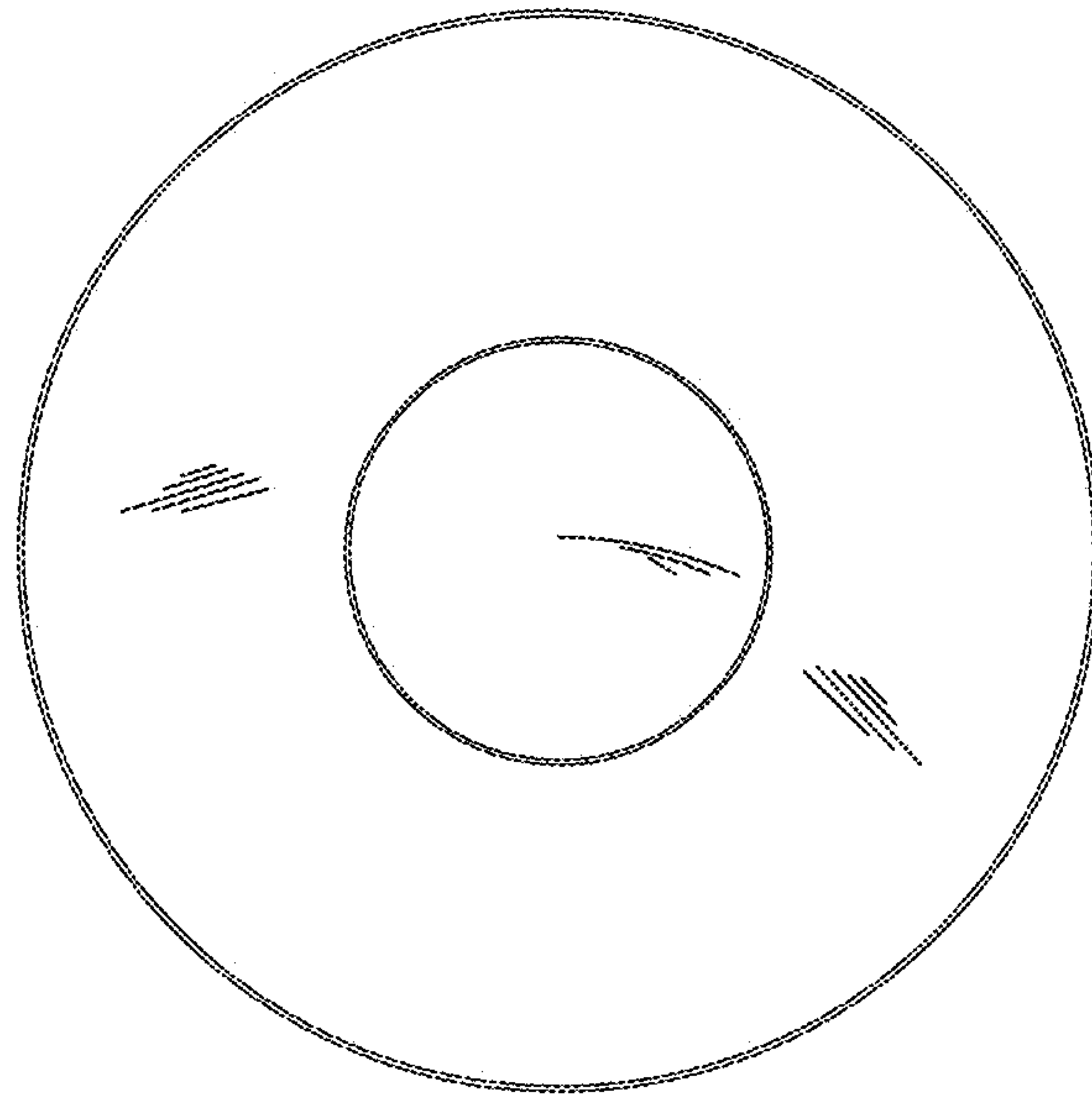


FIG. 6

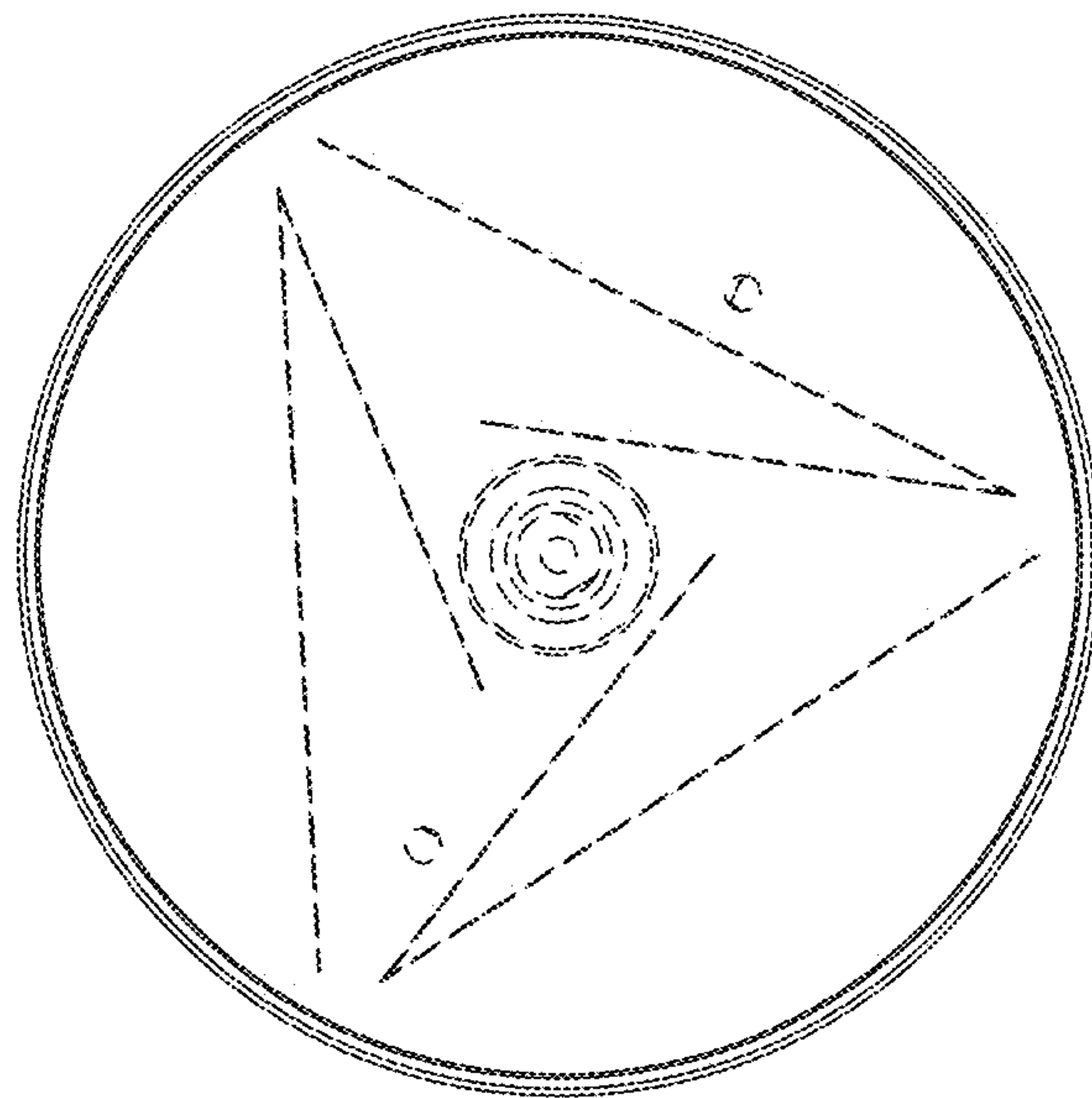


FIG. 7