



US00D961832S

(12) **United States Design Patent**
Xiao

(10) **Patent No.:** **US D961,832 S**

(45) **Date of Patent:** **** Aug. 23, 2022**

(54) **LANDSCAPE LIGHT**

(71) Applicant: **Longcai Xiao**, Shenzhen (CN)

(72) Inventor: **Longcai Xiao**, Shenzhen (CN)

(**) Term: **15 Years**

(21) Appl. No.: **29/787,821**

(22) Filed: **Jun. 9, 2021**

(51) **LOC (13) Cl.** **26-05**

(52) **U.S. Cl.**
USPC **D26/67**

(58) **Field of Classification Search**
USPC D26/67-70, 72, 85
CPC F21S 8/03; F21S 8/033; F21S 8/036; F21S
8/081; F21S 9/037; F21W 2111/02;
F21W 2111/023; F21W 2131/109
See application file for complete search history.

(56) **References Cited**

U.S. PATENT DOCUMENTS

D252,894 S *	9/1979	Hazerjian	D26/67
D816,254 S *	4/2018	Zhang	D26/68
D824,070 S	7/2018	Harper		
D824,562 S *	7/2018	Chen	D26/68
D829,357 S *	9/2018	Chen	D26/68
D843,041 S *	3/2019	Xiao	D26/68
D849,982 S	5/2019	Harper		
D851,315 S *	6/2019	Chen	D26/121
10,323,809 B1 *	6/2019	Dai	F21S 10/04
D862,761 S *	10/2019	Li	D26/68
D866,038 S *	11/2019	Zhang	D26/68
D880,039 S *	3/2020	Mai	D26/67

D898,974 S	10/2020	Hollinger		
D921,262 S *	6/2021	Gawrychowski	D26/67
D946,805 S *	3/2022	Wu	D26/67

OTHER PUBLICATIONS

LUYE Led Torch Lights Flickering Flame, ASIN: B09BFB7W7G. Available from amazon.com Jul. 29, 2021. (Year: 2021).*

* cited by examiner

Primary Examiner — Clare E Heflin

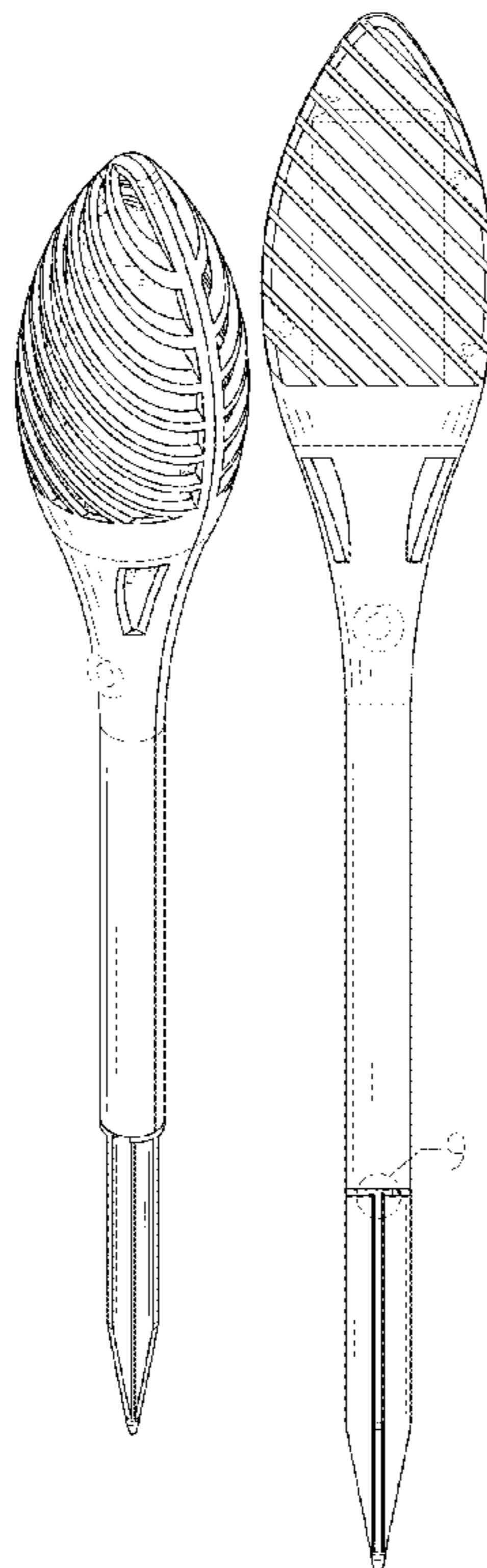
(57) **CLAIM**

The ornamental design for a landscape light, as shown and described.

DESCRIPTION

FIG. 1 is a first perspective view of a landscape light showing my new design;
FIG. 2 is a second perspective view thereof;
FIG. 3 is a front view thereof;
FIG. 4 is a back view thereof;
FIG. 5 is a right side view thereof;
FIG. 6 is a left side view thereof;
FIG. 7 is a top view thereof;
FIG. 8 is a bottom view thereof; and,
FIG. 9 is an enlarged view of the selected portion in FIG. 3. The broken lines shown in the drawings depict portions of the landscape light in which the design is embodied that form no part of the claimed design.

1 Claim, 9 Drawing Sheets



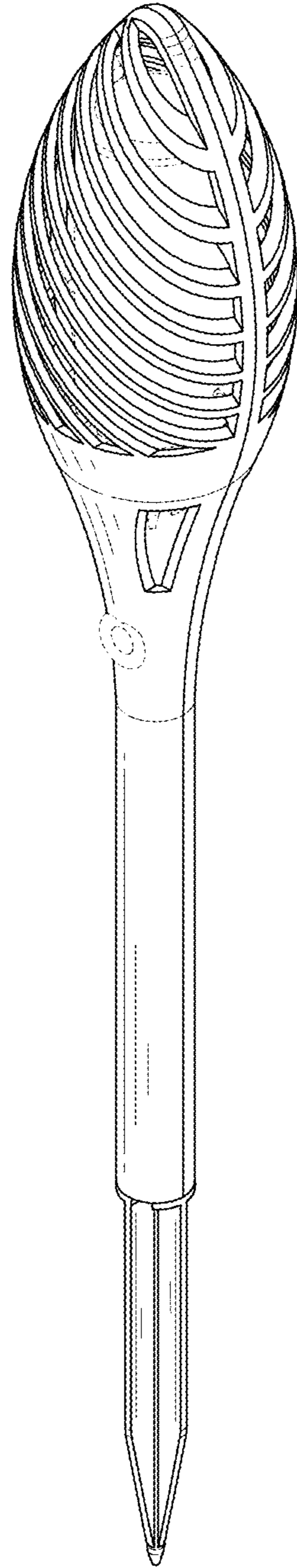


FIG. 1

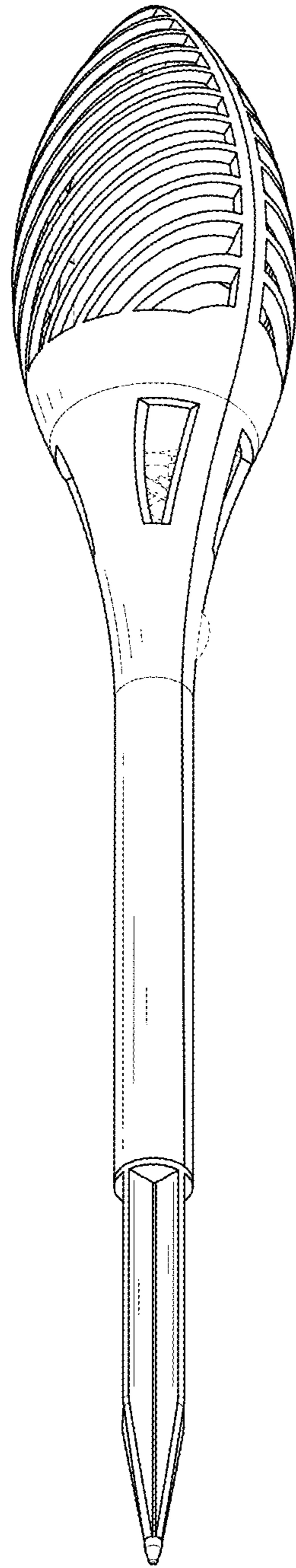


FIG. 2

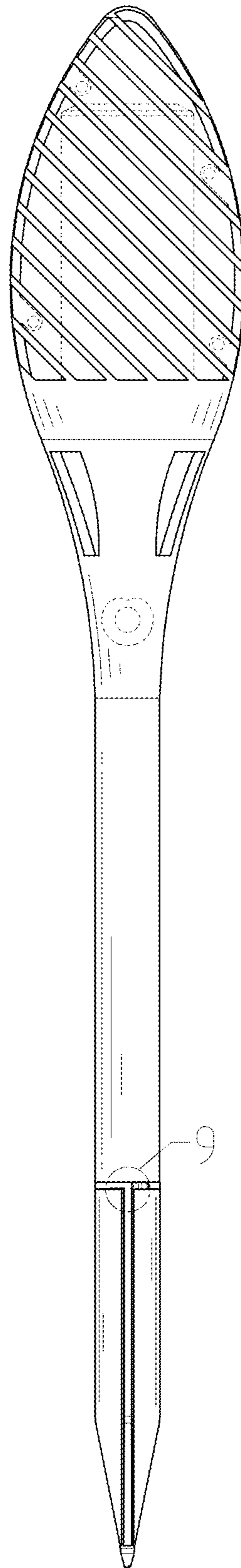


FIG. 3

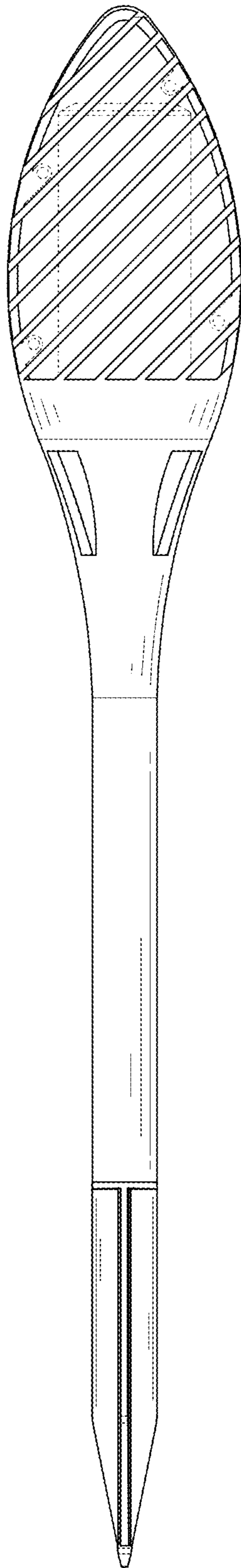


FIG. 4

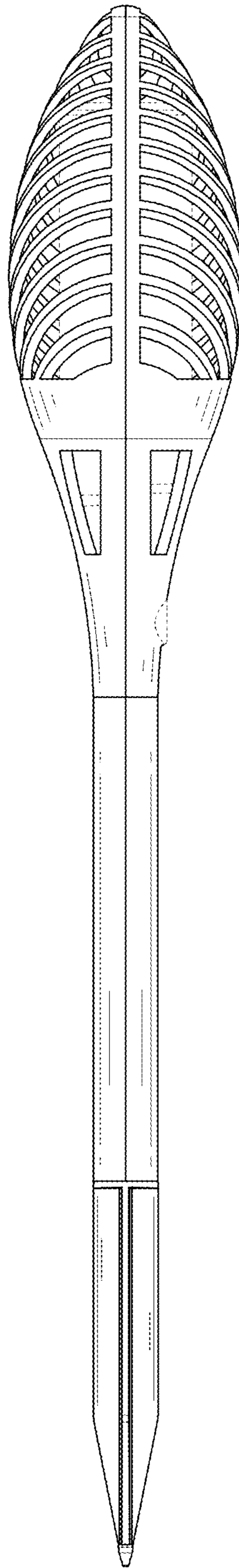


FIG. 5

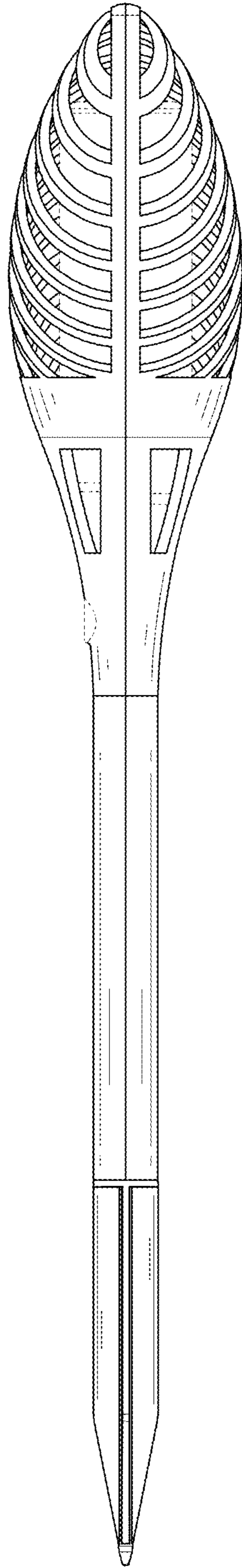


FIG. 6

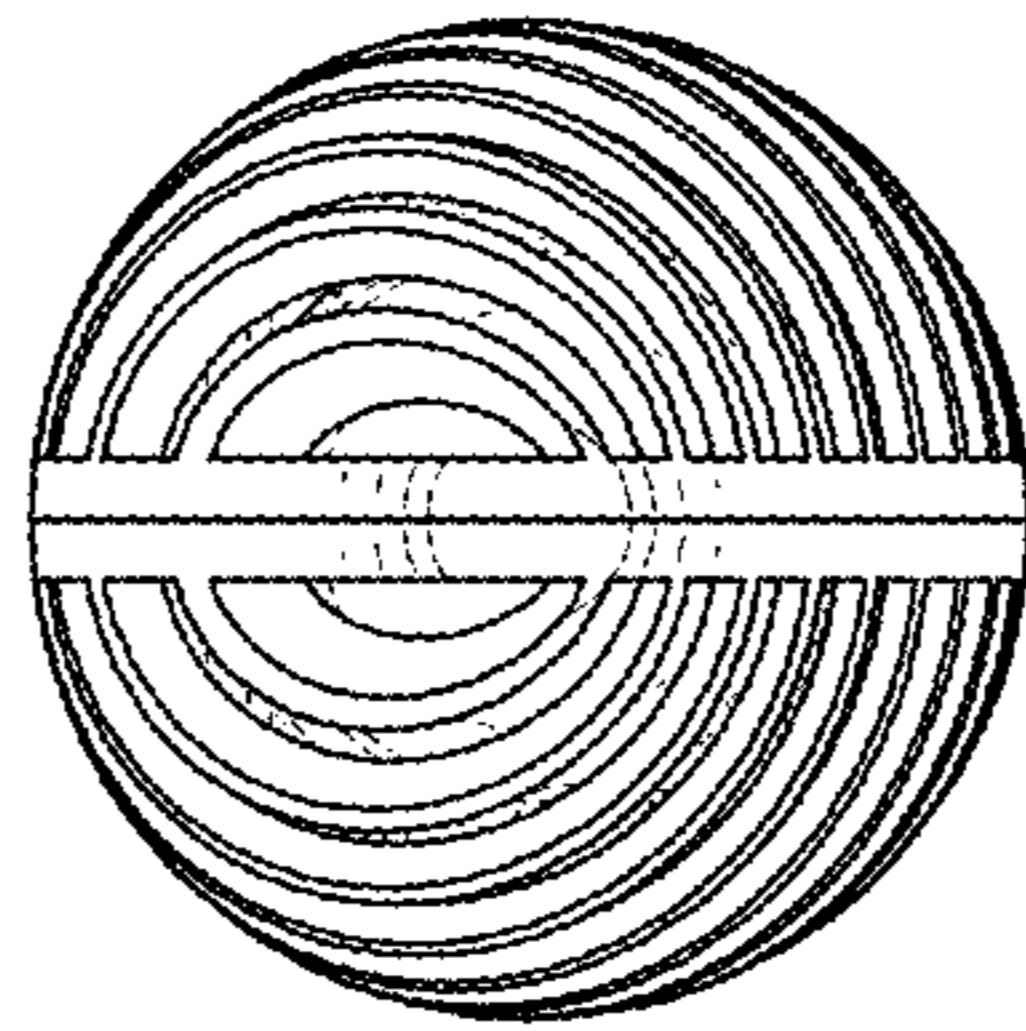


FIG. 7

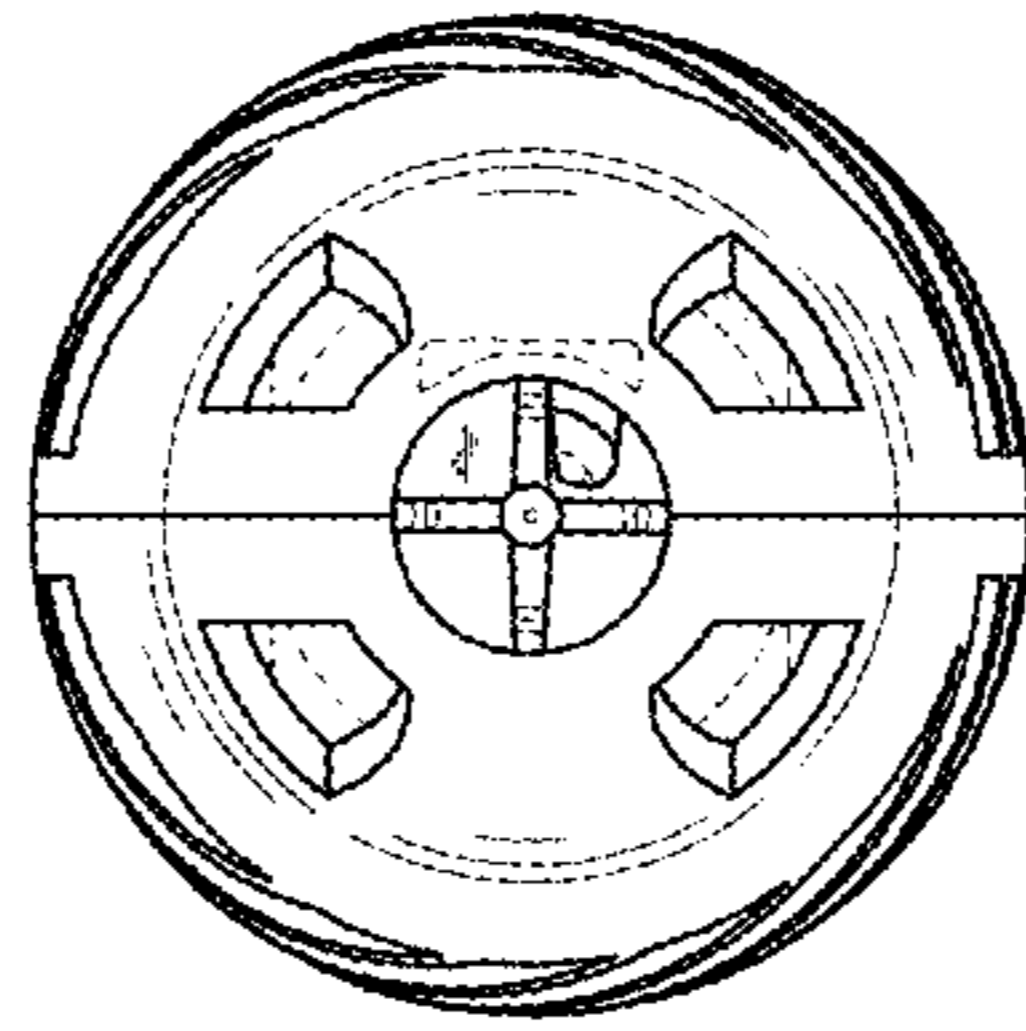


FIG. 8

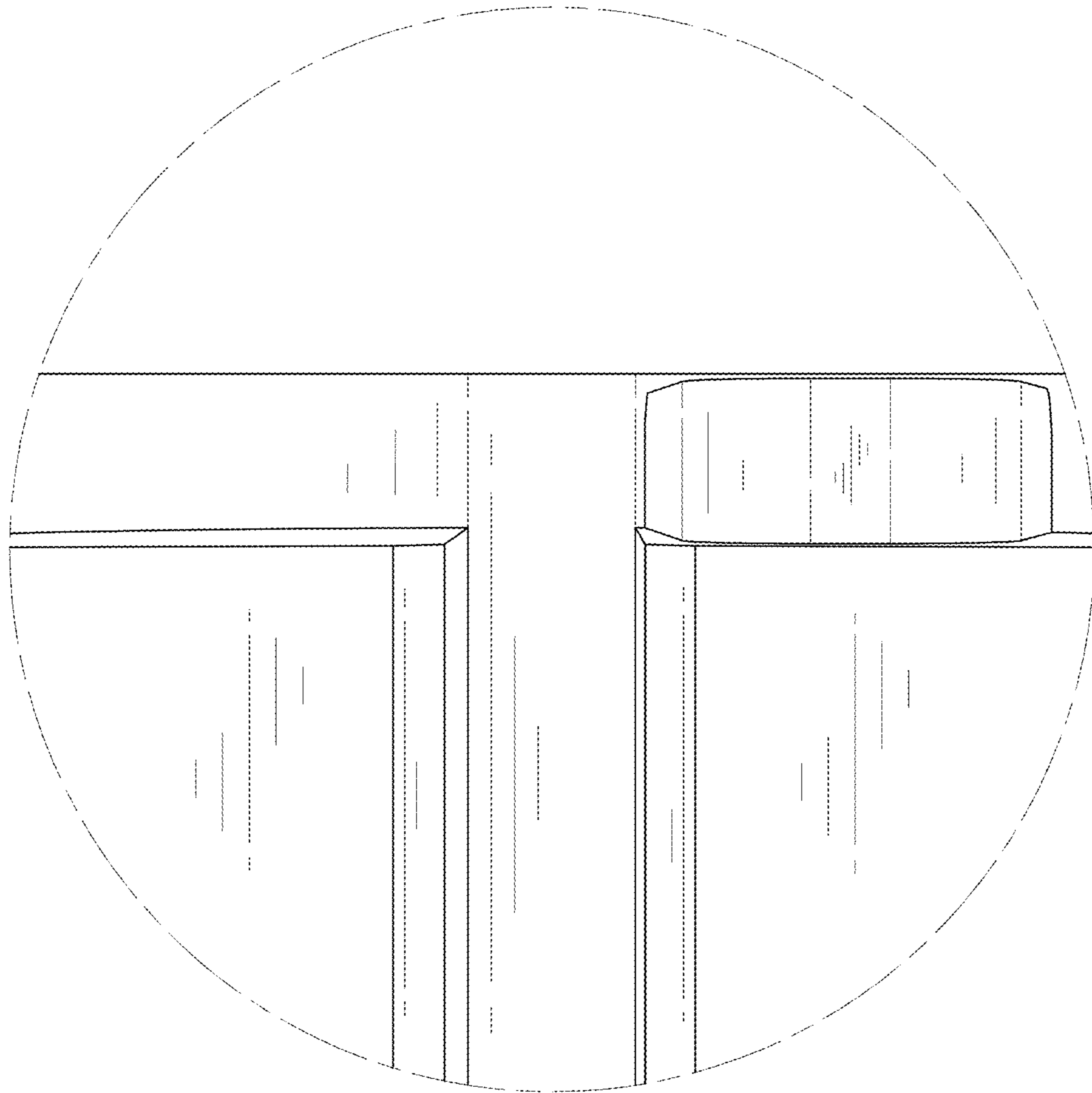


FIG. 9