



US00D961831S

(12) **United States Design Patent**
Harders

(10) **Patent No.:** **US D961,831 S**

(45) **Date of Patent:** **** Aug. 23, 2022**

(54) **LOW-VOLTAGE LIGHT**
(71) Applicant: **Patrick Harders**, Sterling, VA (US)
(72) Inventor: **Patrick Harders**, Sterling, VA (US)

6,386,729 B1 * 5/2002 Bober F21S 8/083
362/153.1
D468,042 S * 12/2002 Volpe D26/67
D671,666 S * 11/2012 Chen D26/67
D777,963 S * 1/2017 Helms D26/63

(**) Term: **15 Years**

(21) Appl. No.: **29/734,700**

(22) Filed: **May 14, 2020**

(51) **LOC (13) Cl.** **26-05**

(52) **U.S. Cl.**
USPC **D26/67**

(58) **Field of Classification Search**
USPC D26/67-70
CPC .. F21S 8/022; F21S 8/032; F21S 8/036; F21S
8/081; F21S 8/083; F21S 8/088; F21S
9/02; F21S 9/037; F21S 10/046; F21V
21/0824; F21W 2111/02; F21W 2111/023;
F21W 2131/109

See application file for complete search history.

(56) **References Cited**

U.S. PATENT DOCUMENTS

5,183,330 A * 2/1993 Rishel B60Q 1/0483
362/372
5,230,559 A * 7/1993 Porter F21V 21/22
362/153.1
D371,620 S * 7/1996 Cool D26/68
5,649,760 A * 7/1997 Beadle F21V 17/02
362/267
D426,012 S * 5/2000 Giese D26/68
6,106,134 A * 8/2000 Bomas F21S 8/083
362/372
D444,253 S * 6/2001 Blanchard D26/67

OTHER PUBLICATIONS

Kichler Bronze Adjustable Landscape Accent Light, Style # 17431.
Available from lampsplus.com, visited May 5, 2022. (Year: 2022).*

* cited by examiner

Primary Examiner — Clare E Heflin

(57) **CLAIM**

The ornamental design for a low-voltage light, as shown and described.

DESCRIPTION

FIG. 1 shows an isometric front view of a low voltage light having the design of the present invention.

FIG. 2 depicts an isometric rear view of a low voltage light having the design of the present invention.

FIG. 3 is a top side view of a low voltage light having the design of the present invention.

FIG. 4 presents a right side view of a low voltage light having the design of the present invention.

FIG. 5 shows a bottom view of a low voltage light having the design of the present invention.

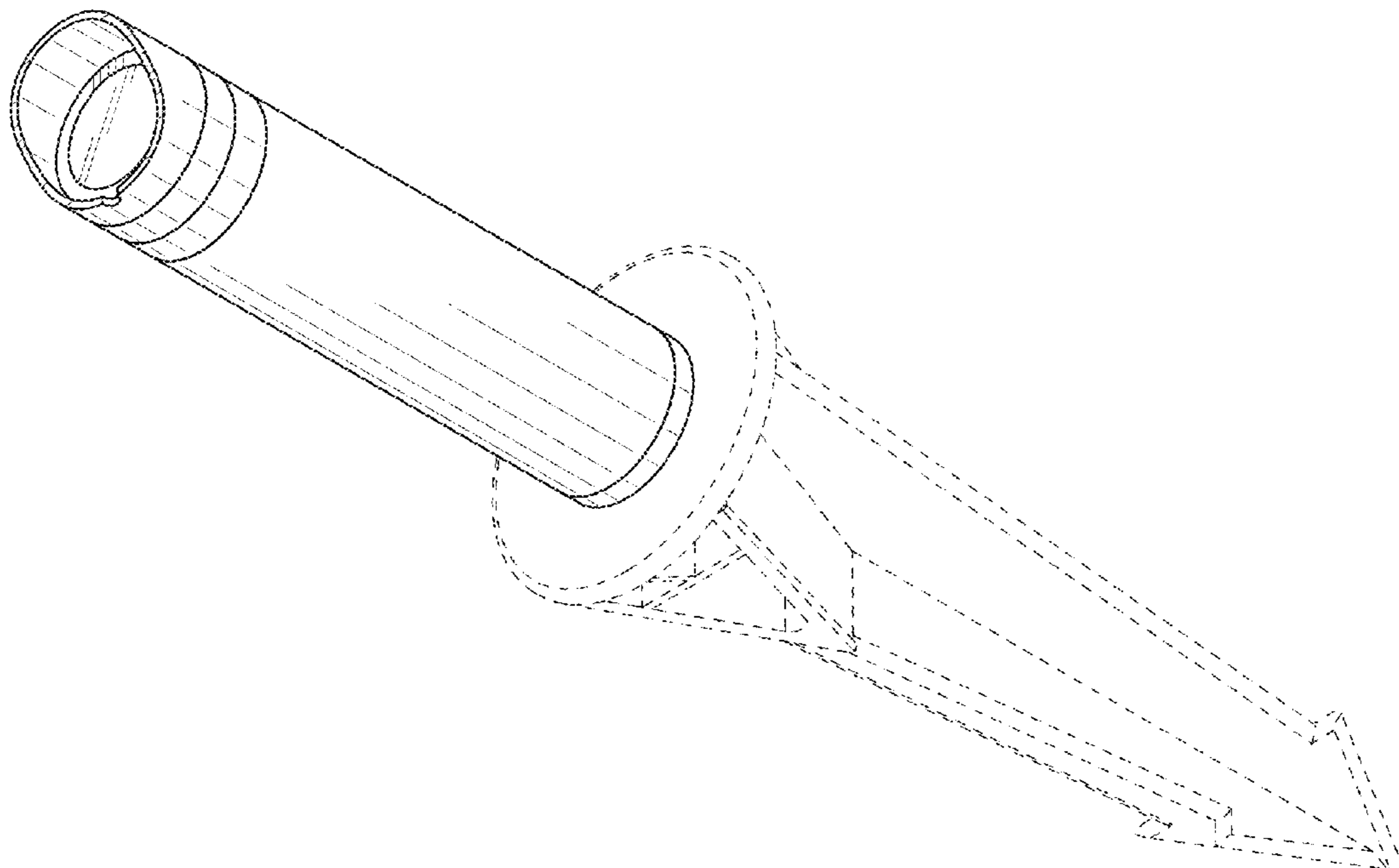
FIG. 6 depicts a left side view of a low voltage light having the design of the present invention.

FIG. 7 is a rear view of a low voltage light having the design of the present invention; and,

FIG. 8 is a front view of a low voltage light having the design of the present invention.

The broken lines shown on the drawings depict portions of the low-voltage light that form no part of the claimed design.

1 Claim, 5 Drawing Sheets



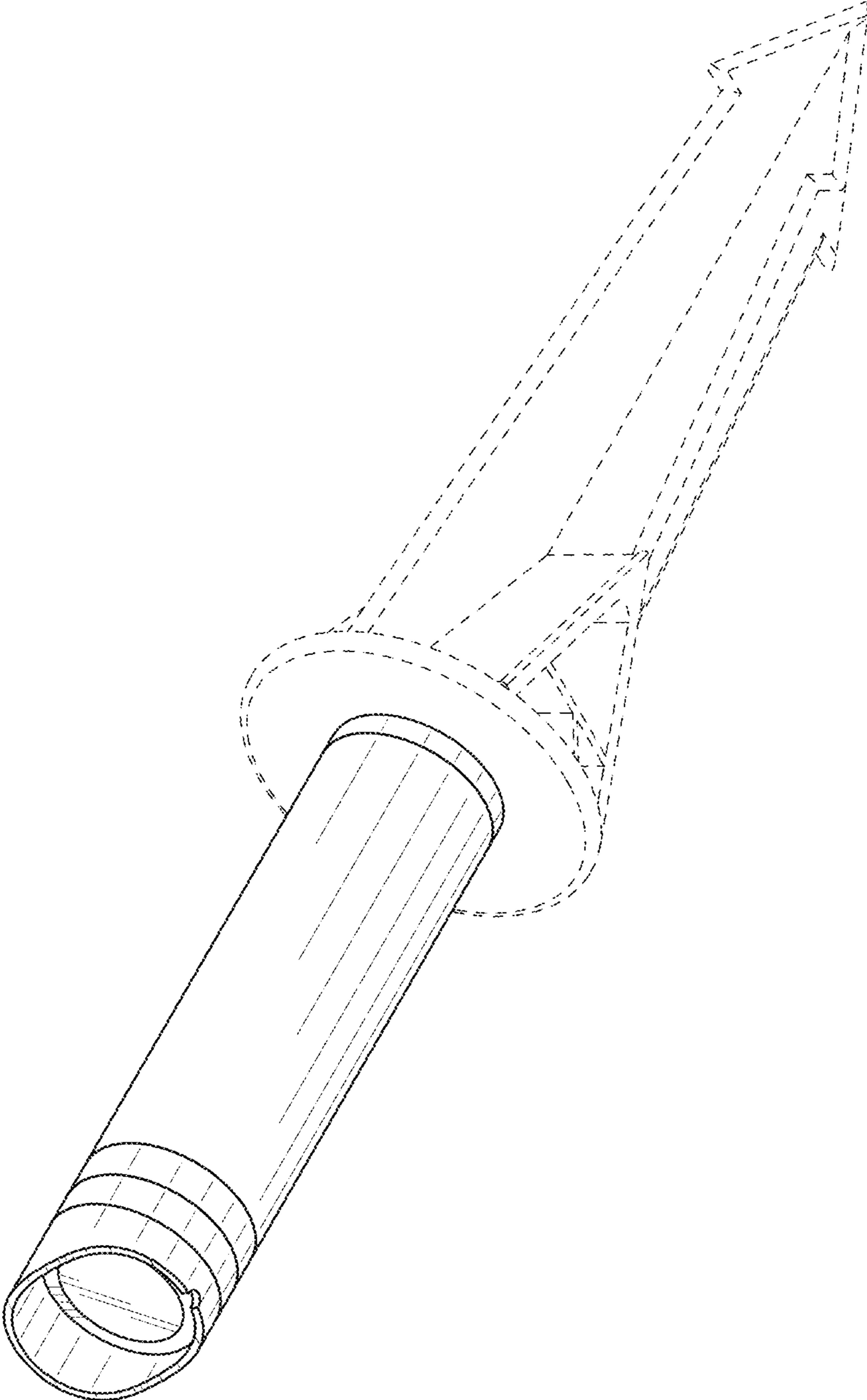


FIG. 1

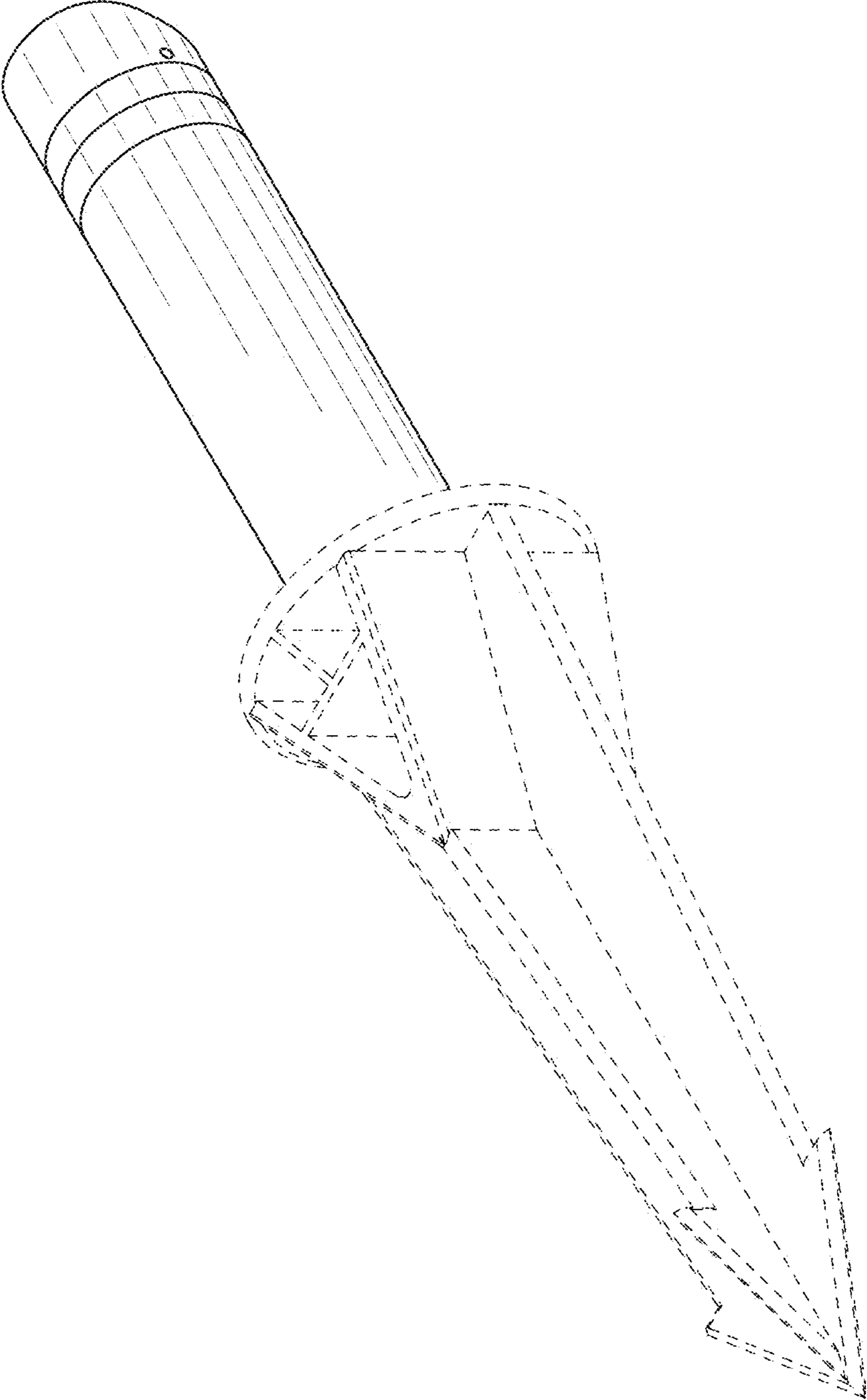


FIG. 2

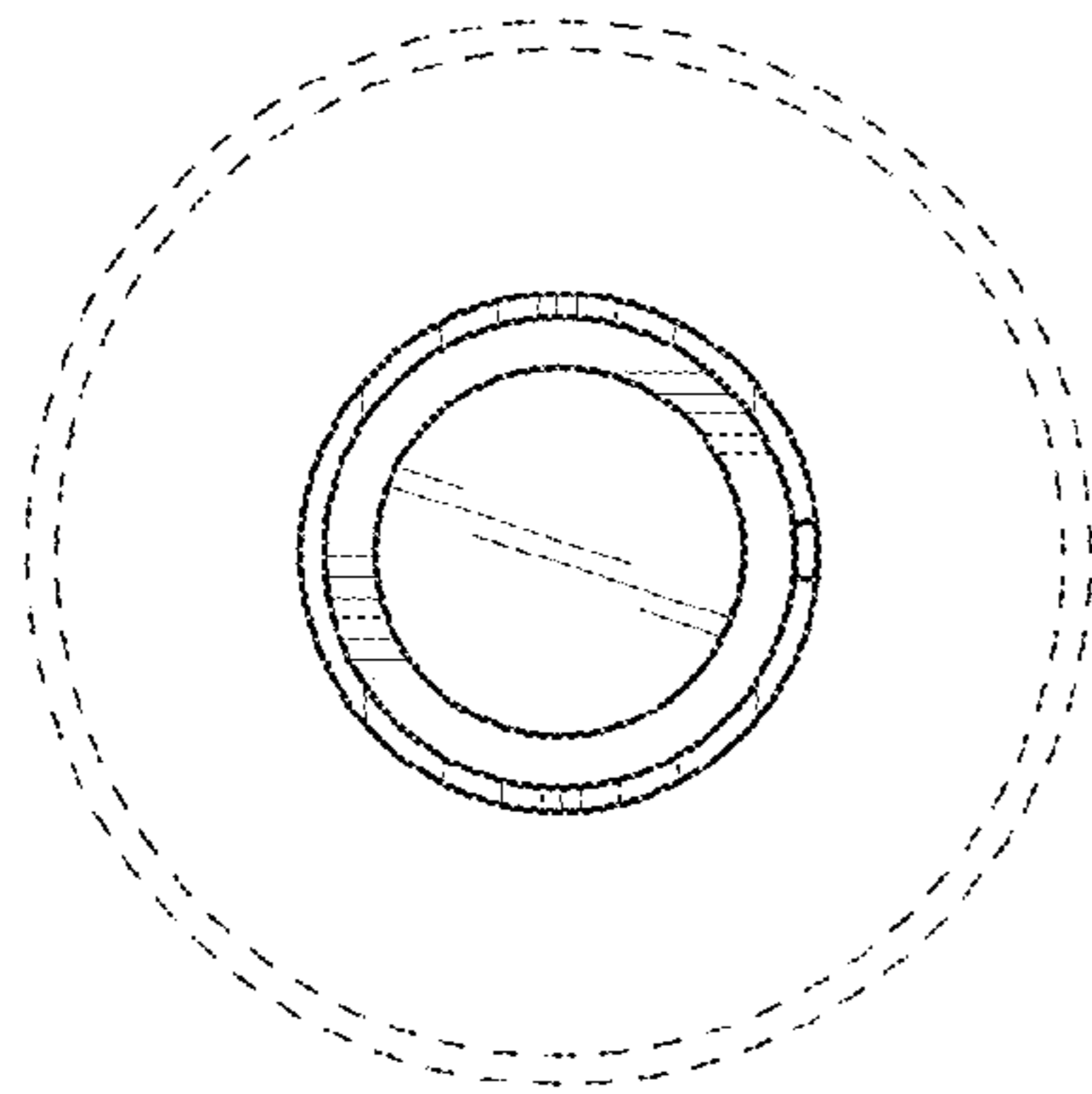


FIG. 3

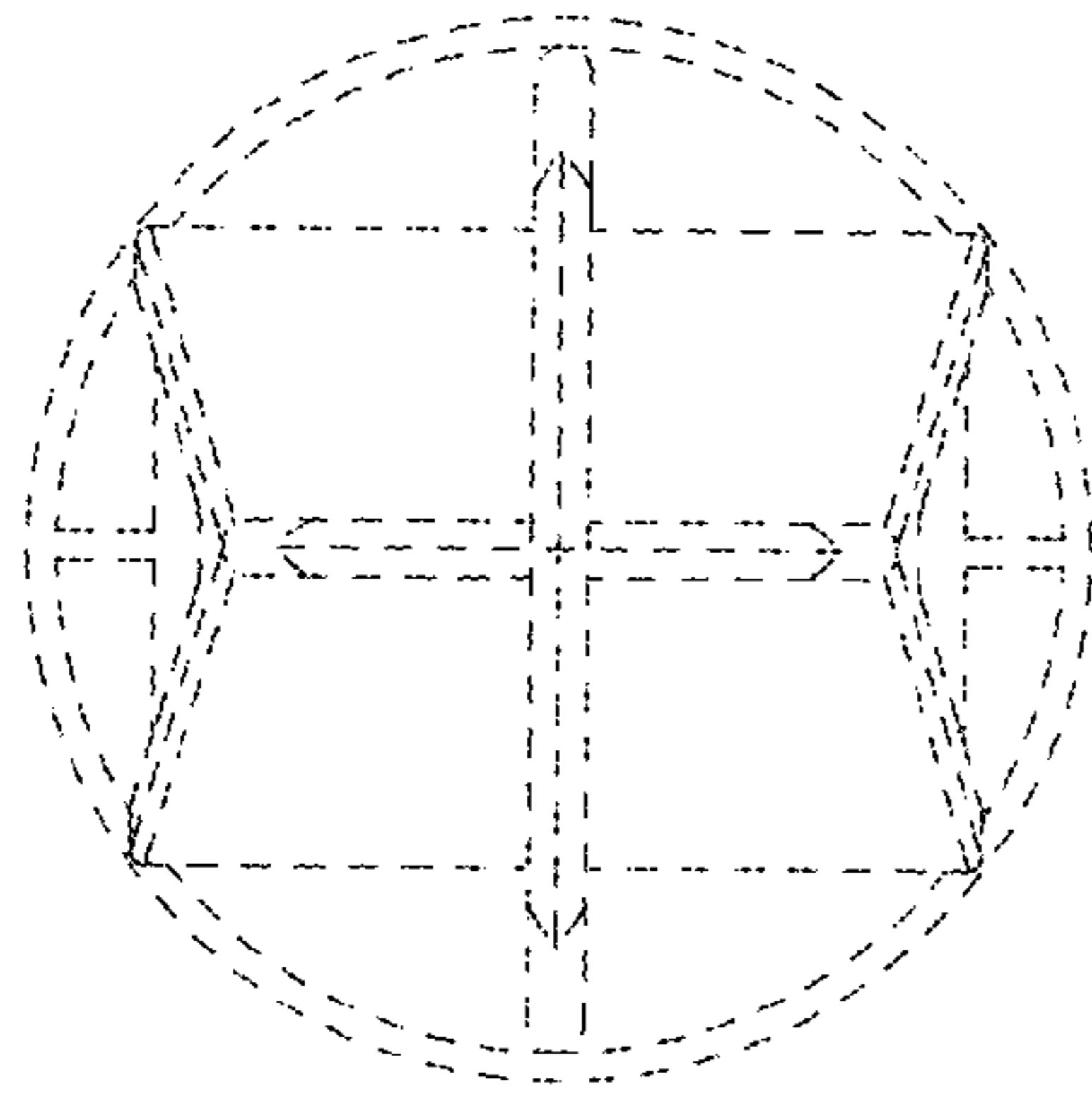


FIG. 5

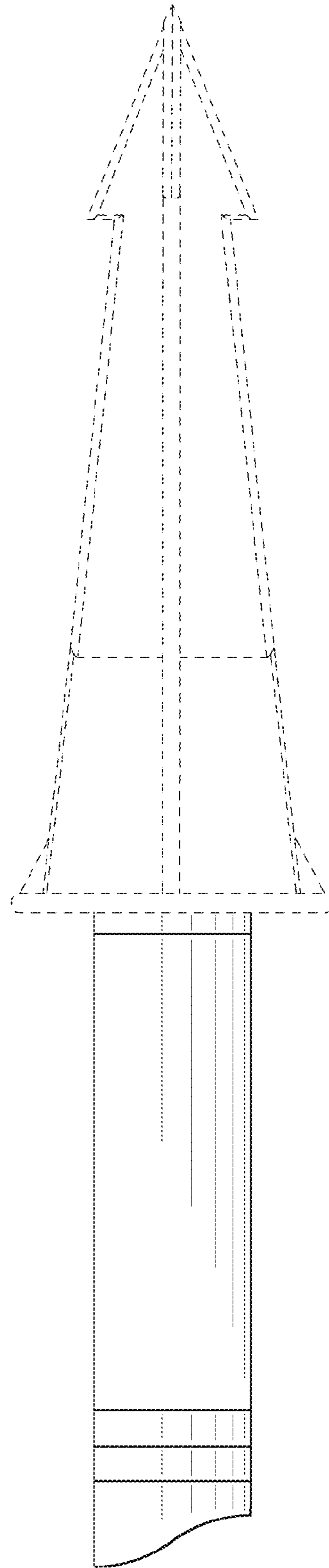


FIG. 4

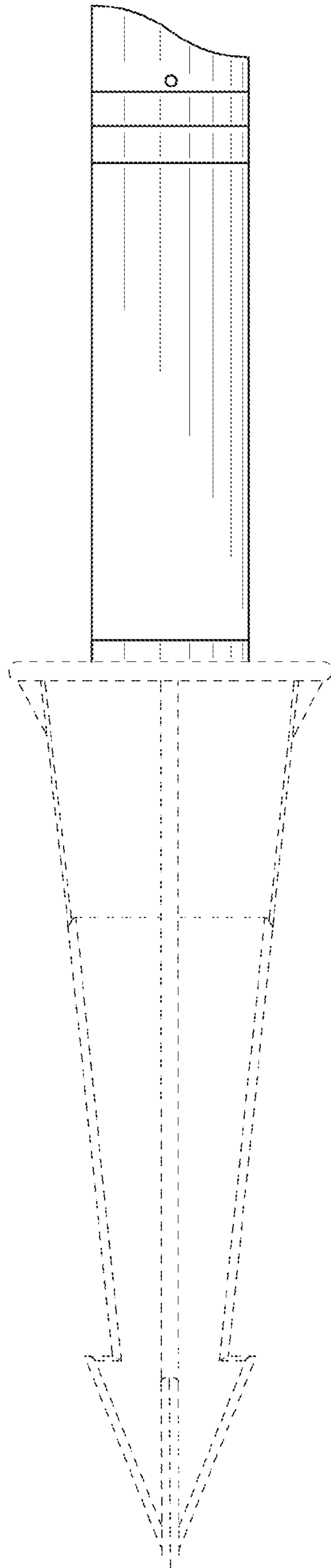


FIG. 6

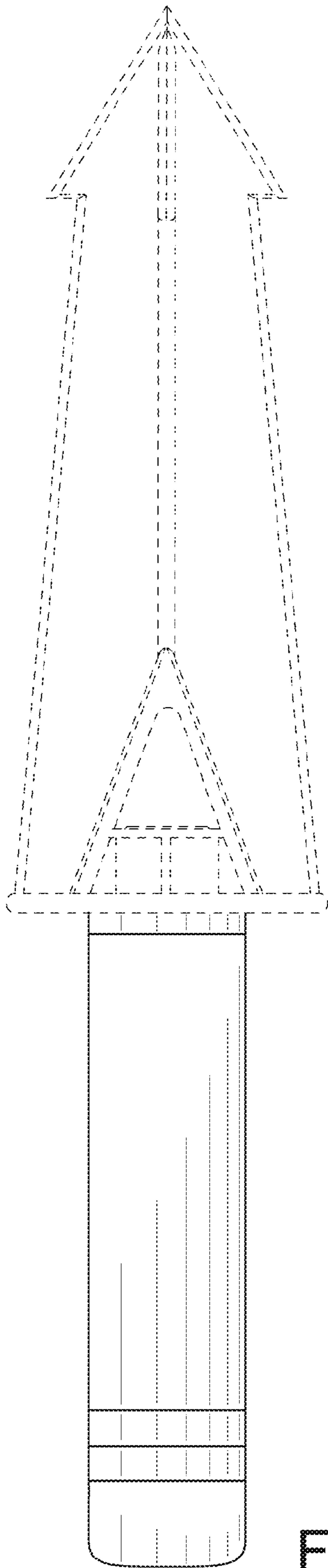


FIG. 7

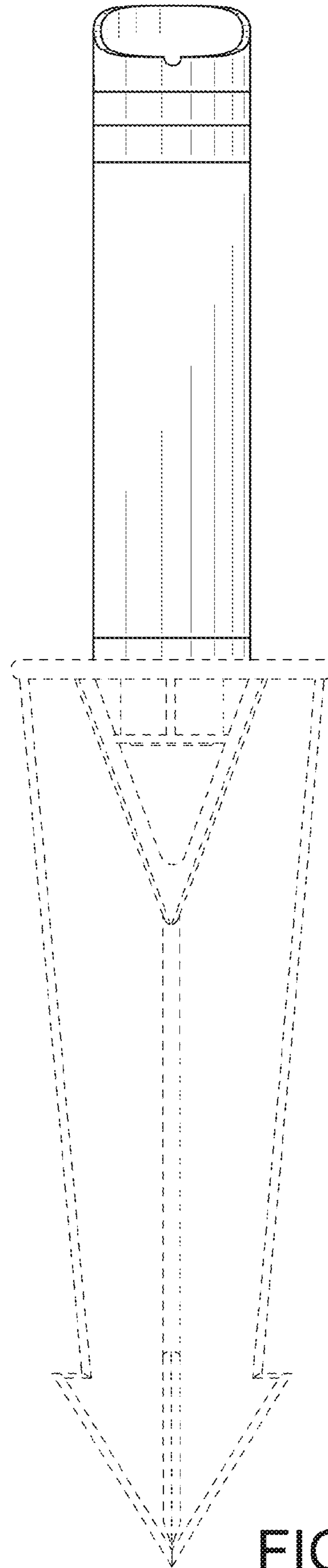


FIG. 8