



US00D961829S

(12) **United States Design Patent** (10) **Patent No.:** **US D961,829 S**  
**Chen** (45) **Date of Patent:** **\*\* Aug. 23, 2022**

(54) **LAMP**  
(71) Applicant: **Honghong Chen**, Shenzhen (CN)  
(72) Inventor: **Honghong Chen**, Shenzhen (CN)  
(\*\*) Term: **15 Years**  
(21) Appl. No.: **29/785,980**  
(22) Filed: **May 28, 2021**  
(51) **LOC (13) Cl.** ..... **26-05**  
(52) **U.S. Cl.**  
USPC ..... **D26/60**  
(58) **Field of Classification Search**  
USPC ..... D26/1, 24, 60, 61, 63, 104  
CPC ..... F21L 2/00; F21L 4/00; F21L 4/02; F21L  
4/025; F21L 4/027; F21L 14/00; F21S  
2/00; F21S 8/03; F21S 8/033; F21S  
8/035; F21S 6/00; F21S 6/002; F21S  
6/004; F21S 8/036; F21S 8/037; F21S  
9/00; F21S 9/02; F21V 21/10; F21V  
21/108; F21W 2121/008  
See application file for complete search history.

D932,080 S \* 9/2021 Wang ..... D16/250  
D932,081 S \* 9/2021 Wang ..... D16/250  
D936,884 S \* 11/2021 Lin ..... D26/60

**FOREIGN PATENT DOCUMENTS**

CN 306426498 \* 3/2021

**OTHER PUBLICATIONS**

Amazon, "Cilp on Light", first available Aug. 14, 2018. (<https://www.amazon.com/dp/B07GZKSS7J/?th=1>) (Year: 2018).\*  
Amazon, "Cyezcor Video Conference Lighting Kit", first available Oct. 27, 2020. (<https://www.amazon.com.au/Cyezcor-Conference-Broadcasting-Streaming-Conferencing/dp/B08LZKSMRH/>) (Year: 2020).\*

(Continued)

*Primary Examiner* — Lauren D McVey  
*Assistant Examiner* — Justin A Johnson

(57) **CLAIM**

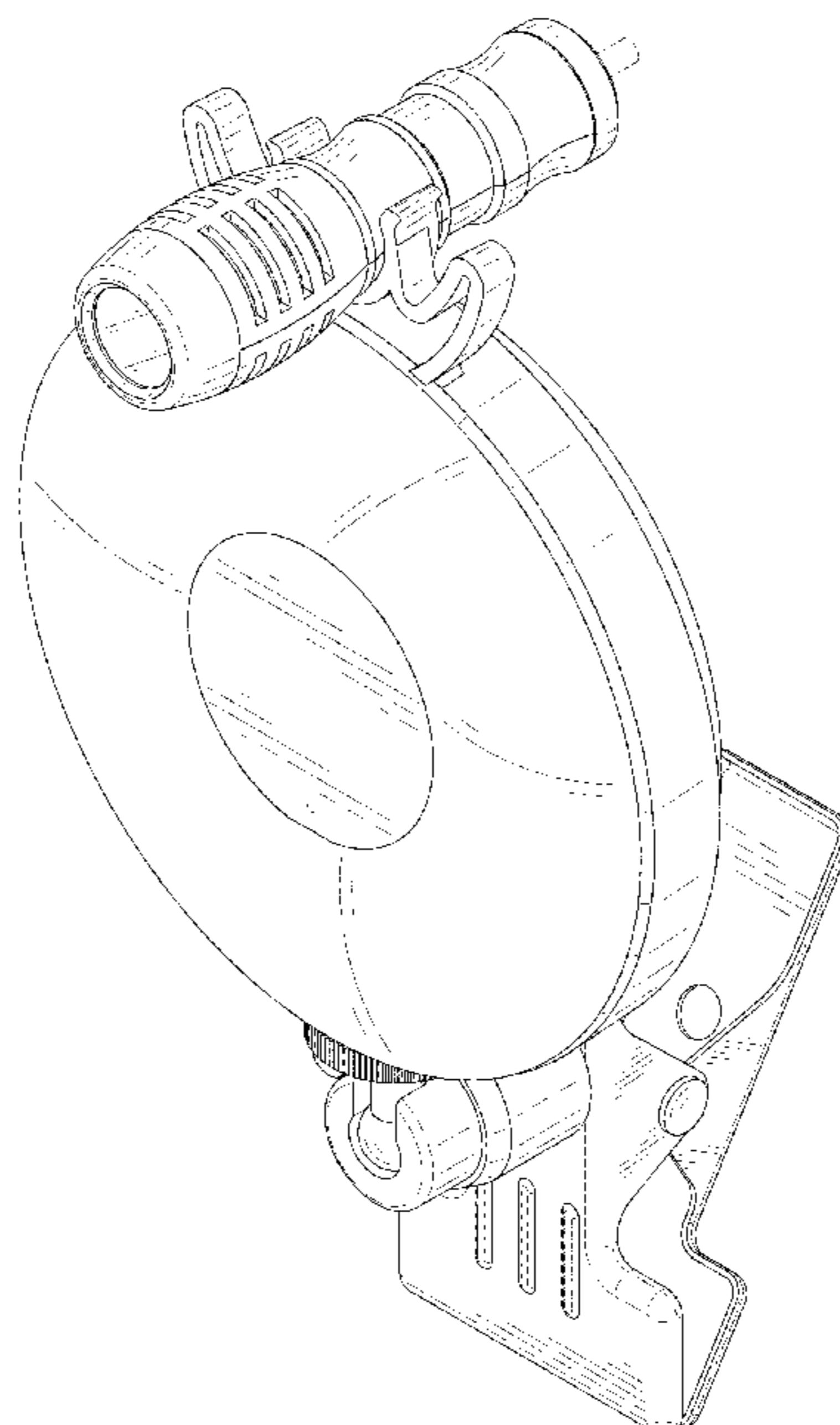
The ornamental design for a lamp, as shown and described.

**DESCRIPTION**

FIG. 1 is a perspective view of a lamp showing my new design;  
FIG. 2 is another perspective view thereof;  
FIG. 3 is a front elevational view thereof;  
FIG. 4 is a rear elevational view thereof;  
FIG. 5 is a left side elevational view thereof;  
FIG. 6 is a right side elevational view thereof;  
FIG. 7 is a top plan view thereof;  
FIG. 8 is a bottom plan view thereof; and,  
FIG. 9 is an enlarged view of portion 9 shown in FIG. 2.  
The dash-dash broken lines in the drawings depict portions of the lamp that form no part of the claimed design. The dot-dash broken lines represent boundaries of the enlarged portions and form no part of the claimed design.

(56) **References Cited**  
**U.S. PATENT DOCUMENTS**  
D113,627 S \* 3/1939 Gagnon ..... D26/60  
D277,320 S \* 1/1985 Selden ..... D26/62  
D349,972 S \* 8/1994 Stekelenburg ..... D26/60  
D524,975 S \* 7/2006 Oas ..... D26/56  
D526,079 S \* 8/2006 Heun ..... D26/63  
D670,845 S \* 11/2012 Hsu ..... D26/62  
D829,355 S \* 9/2018 Li ..... D26/62  
D851,311 S \* 6/2019 Fan ..... D26/60  
D874,701 S \* 2/2020 Hu ..... D26/60  
D887,052 S 6/2020 Xu  
D898,256 S 10/2020 Peng  
D901,054 S \* 11/2020 Zhao ..... D16/237

**1 Claim, 9 Drawing Sheets**



(56)

**References Cited**

OTHER PUBLICATIONS

Amazon, "Ring Light, SOFER", first available Feb. 3, 2021. (<https://www.amazon.com.au/SOFER-Broadcast-Dimmable-Brightness-Rotatable/dp/B08VRGG7NV>) (Year: 2021).\*

Amazon, "Video Conference Lighting", first available Sep. 6, 2021. (<https://www.amazon.com.au/Conference-Lighting-Brightness-Streaming-Conferencing/dp/B09FD8T48V/>) (Year: 2021).\*

\* cited by examiner

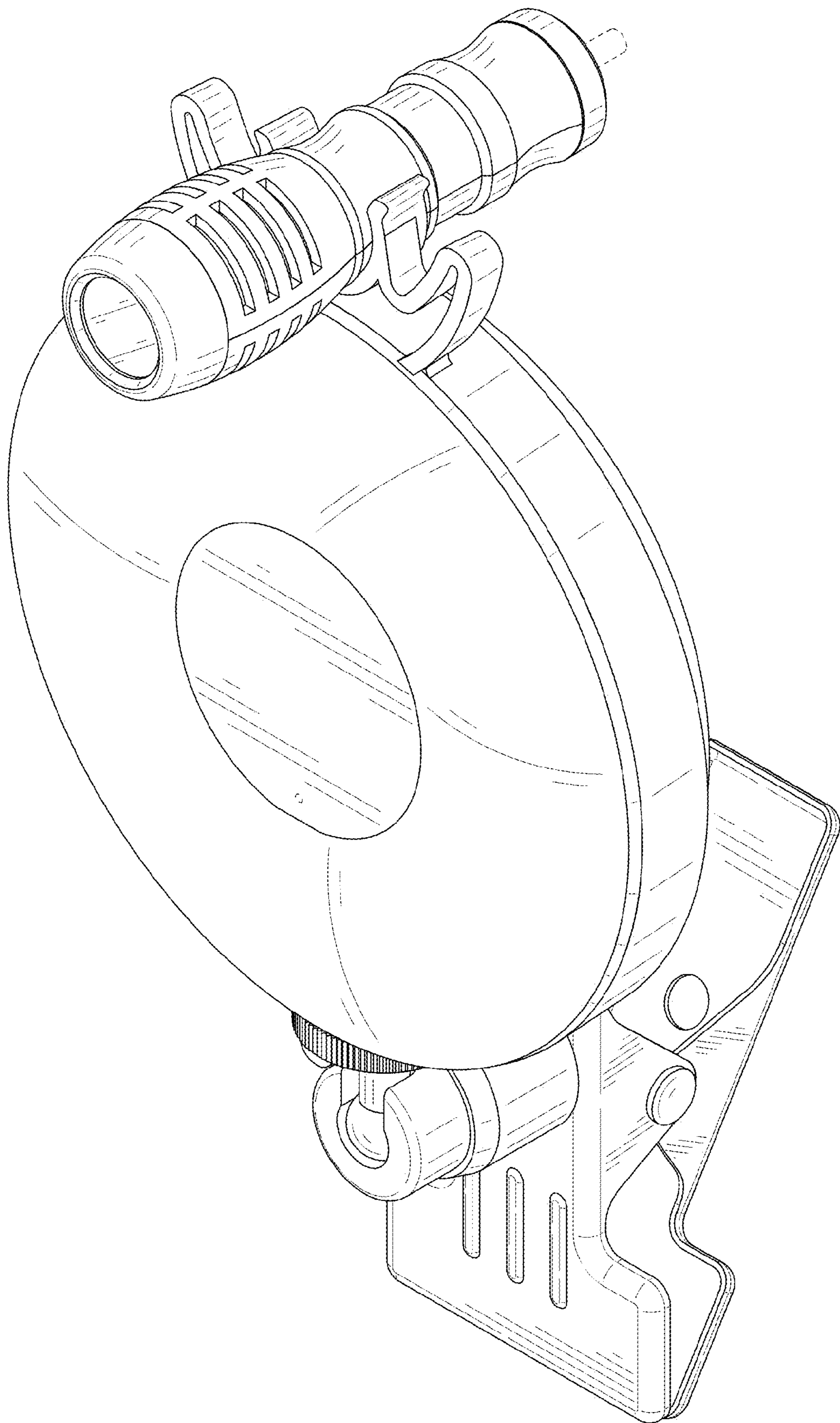


FIG. 1

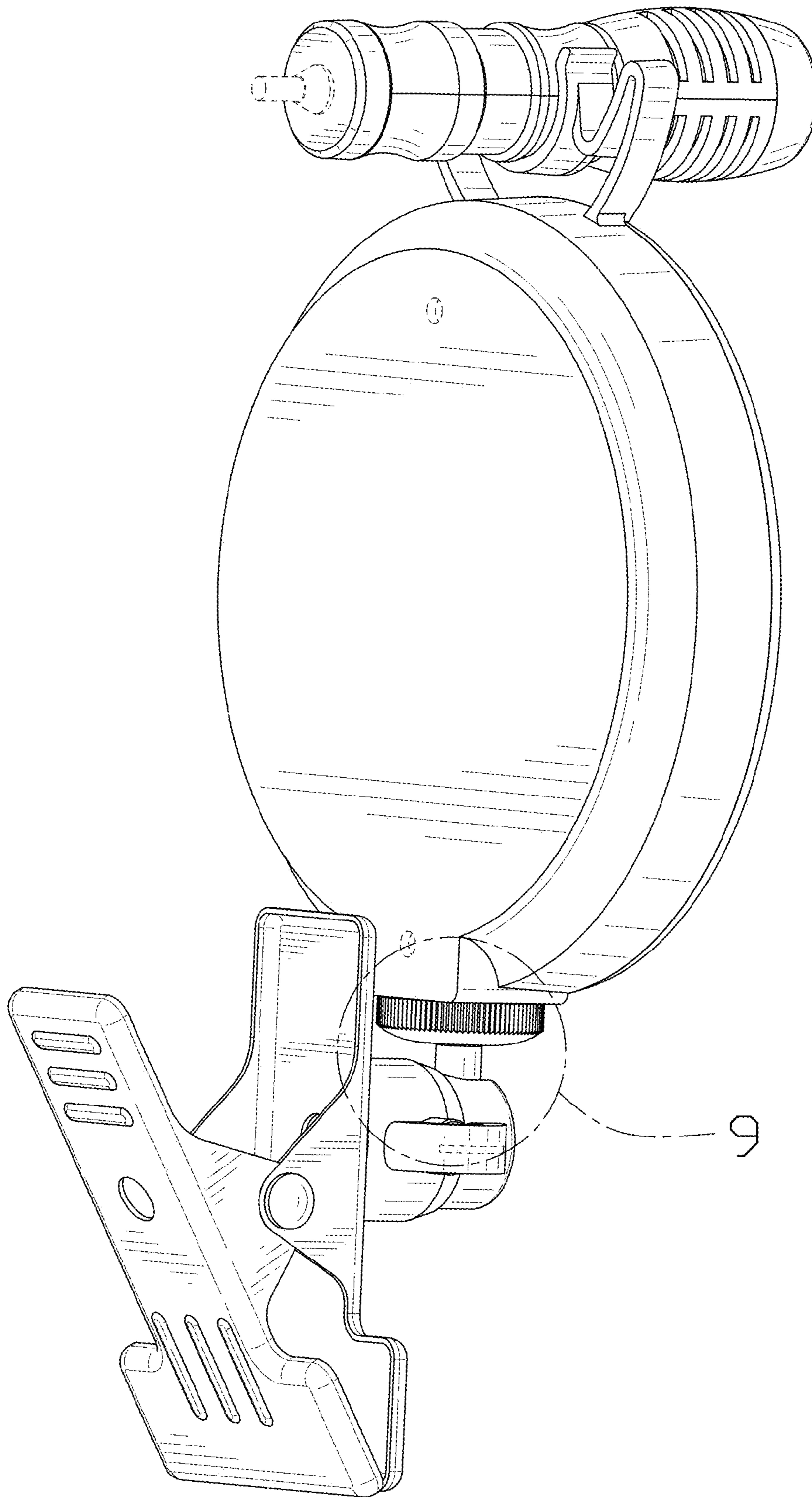


FIG. 2

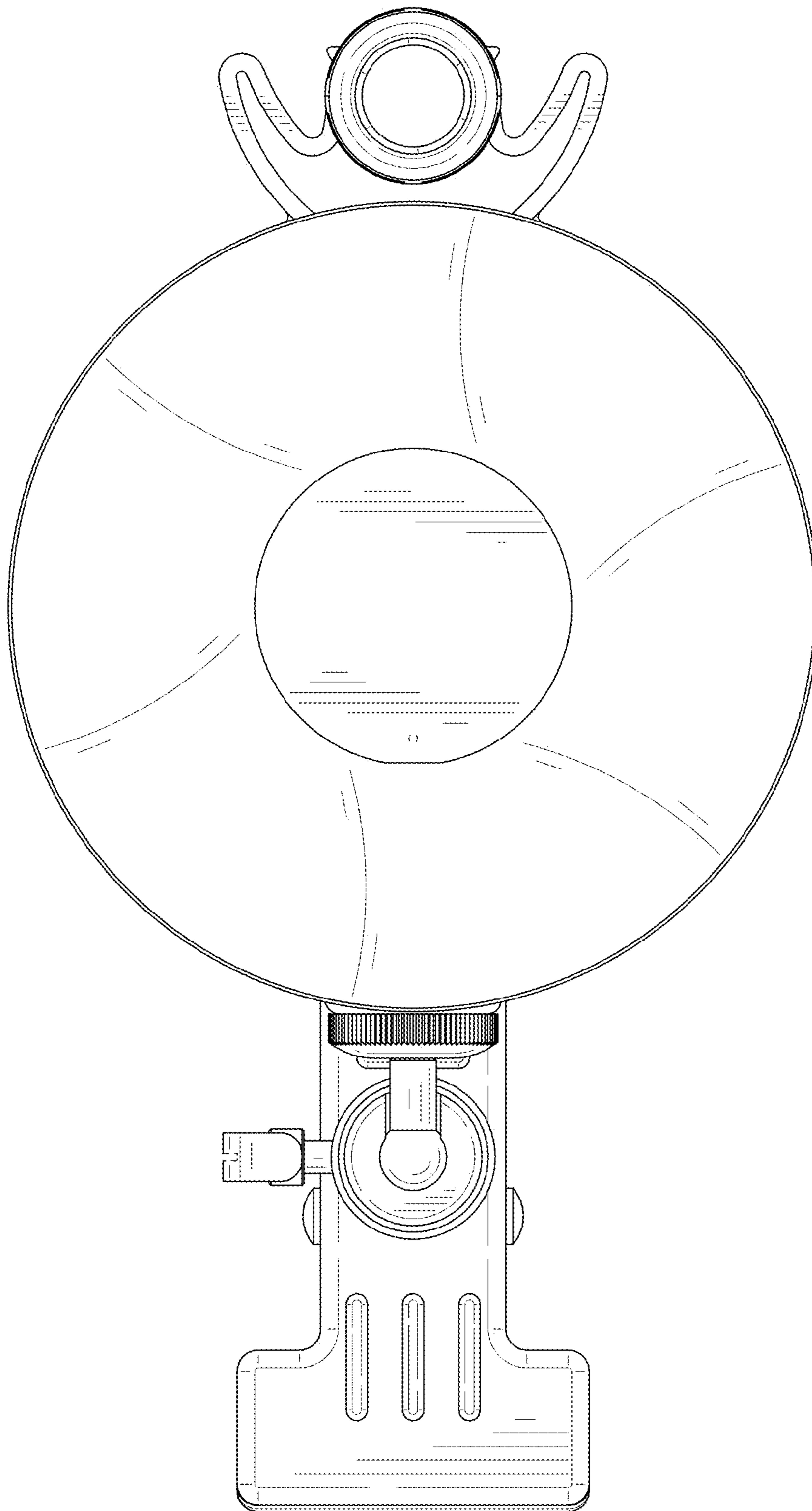


FIG. 3

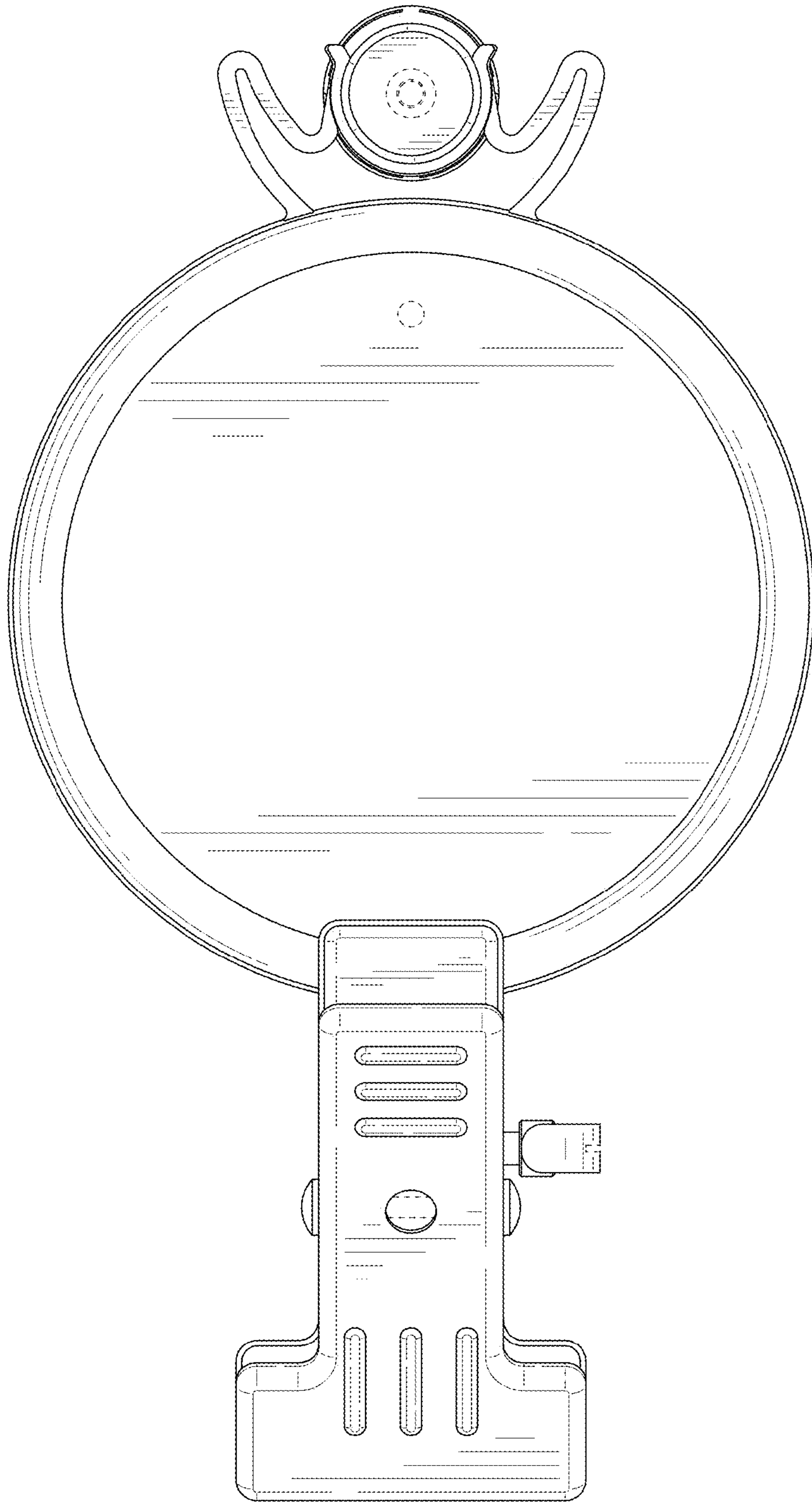


FIG. 4

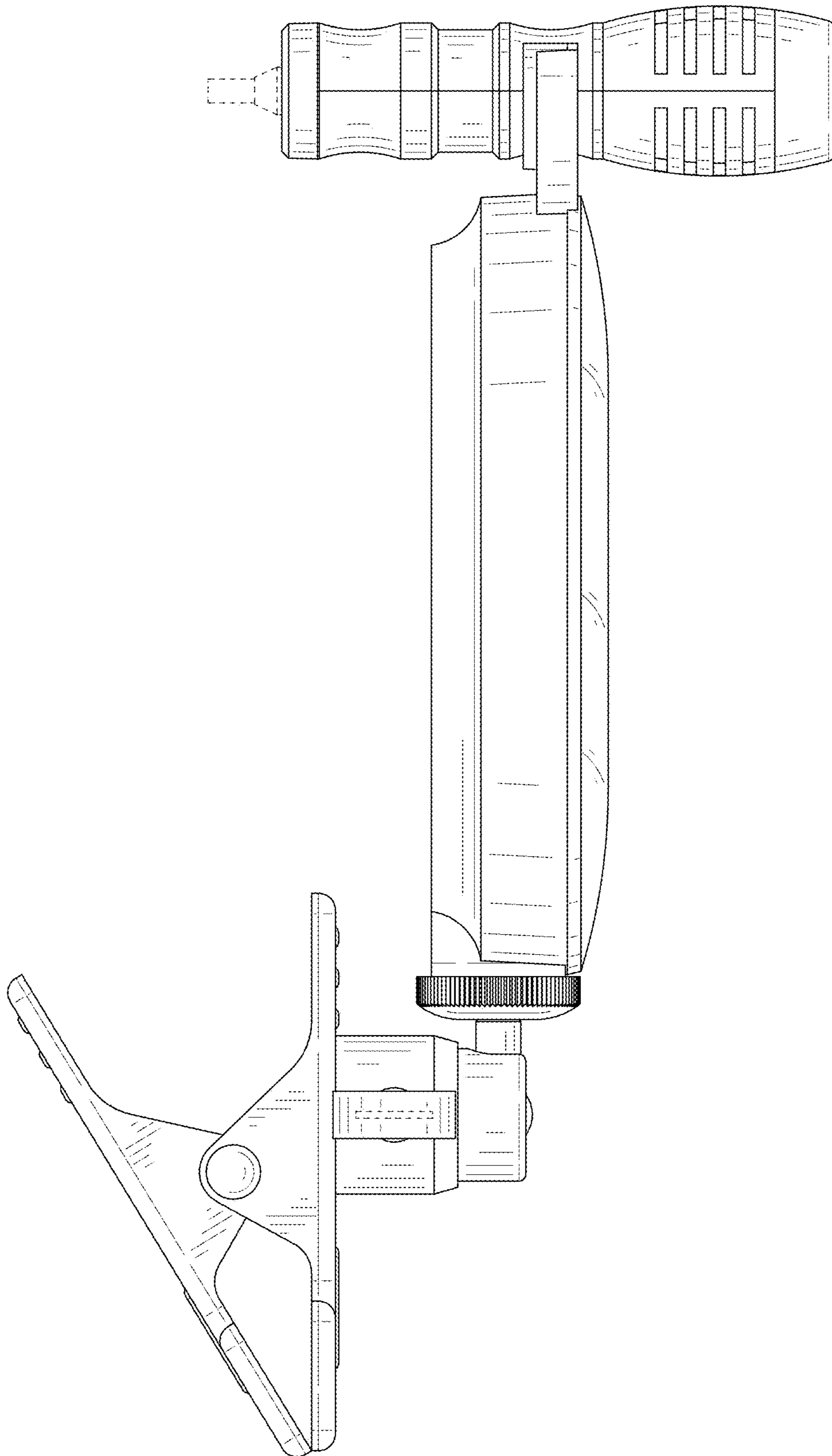


FIG. 5

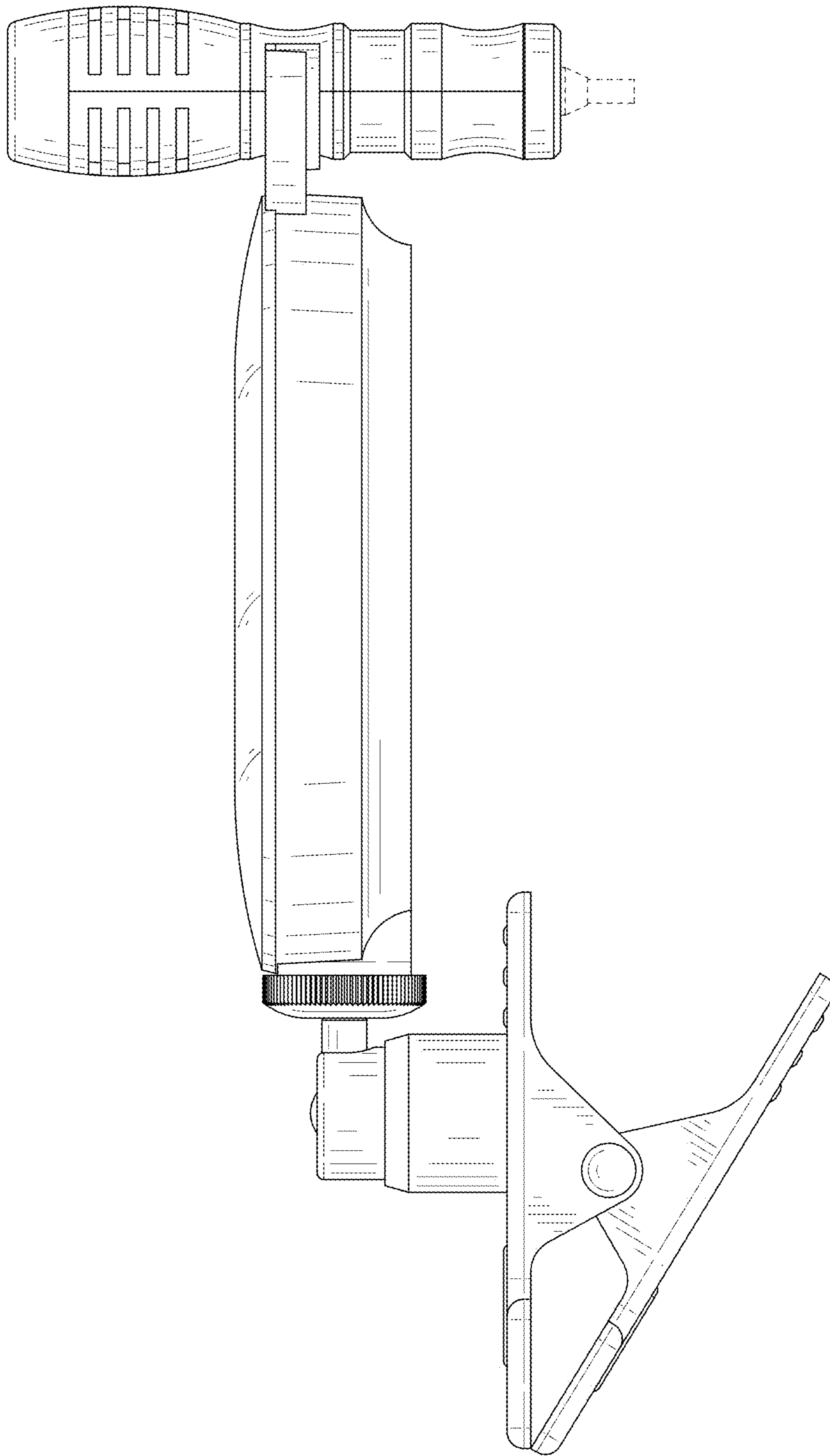


FIG. 6



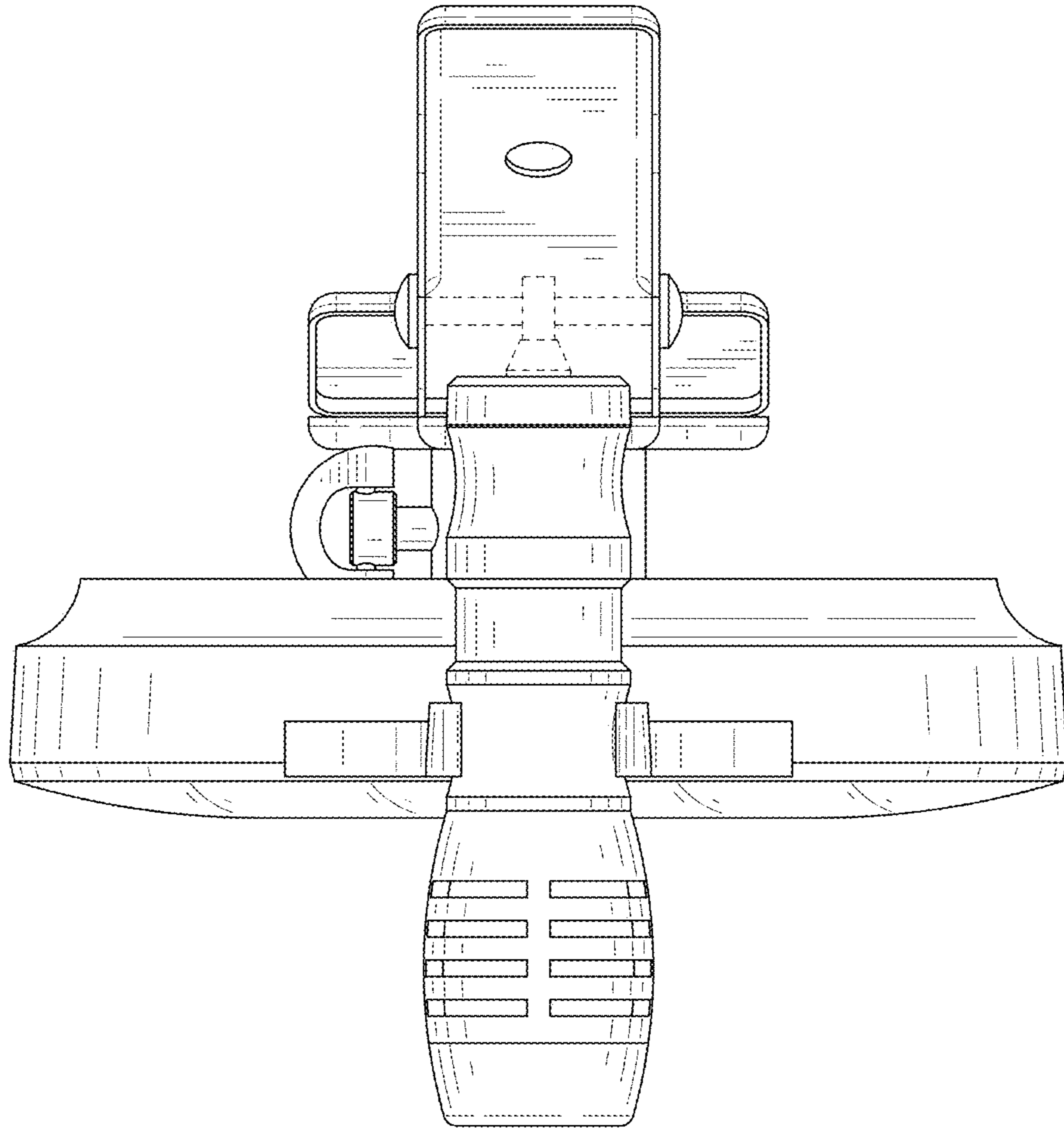


FIG. 7

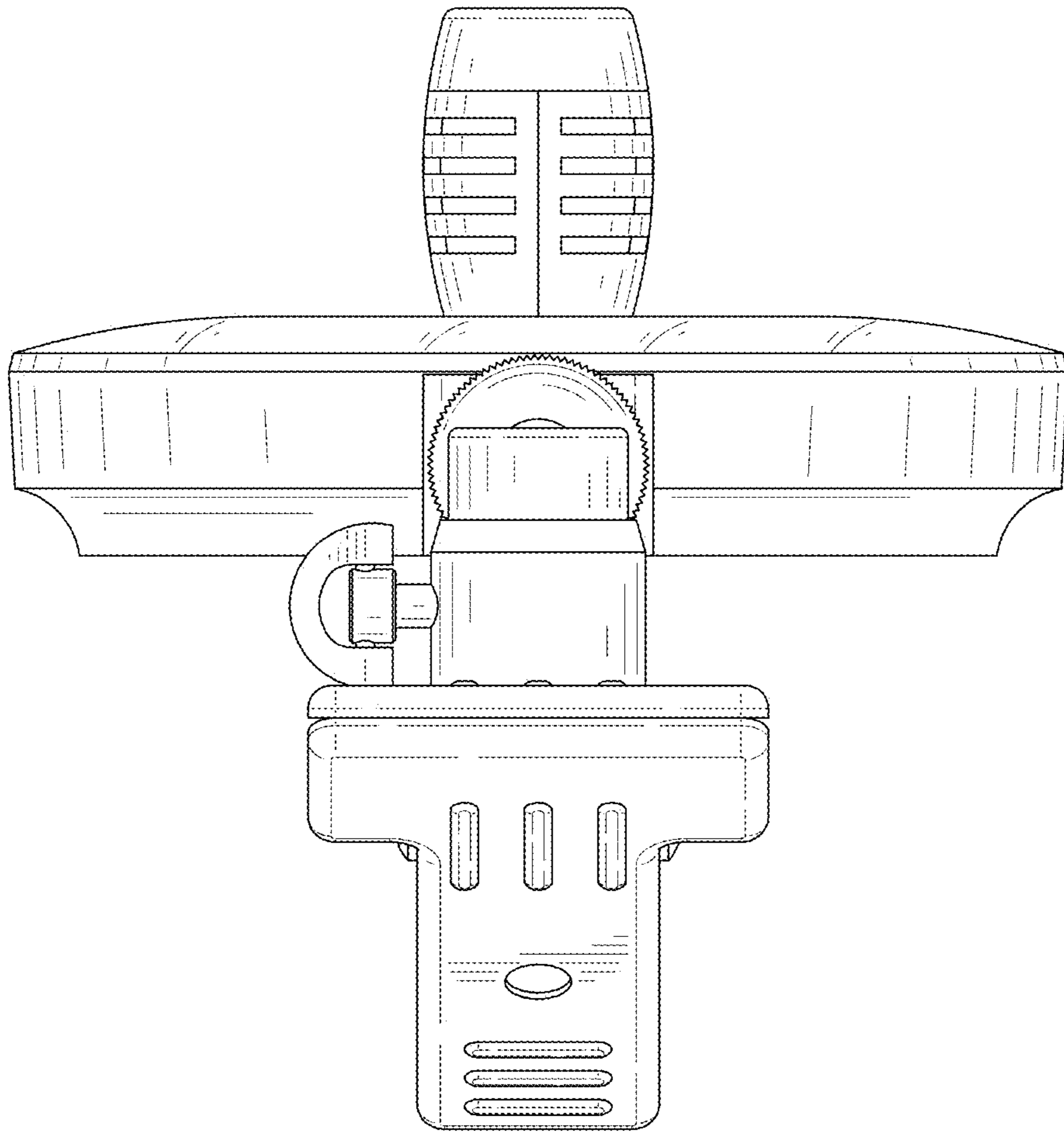


FIG. 8

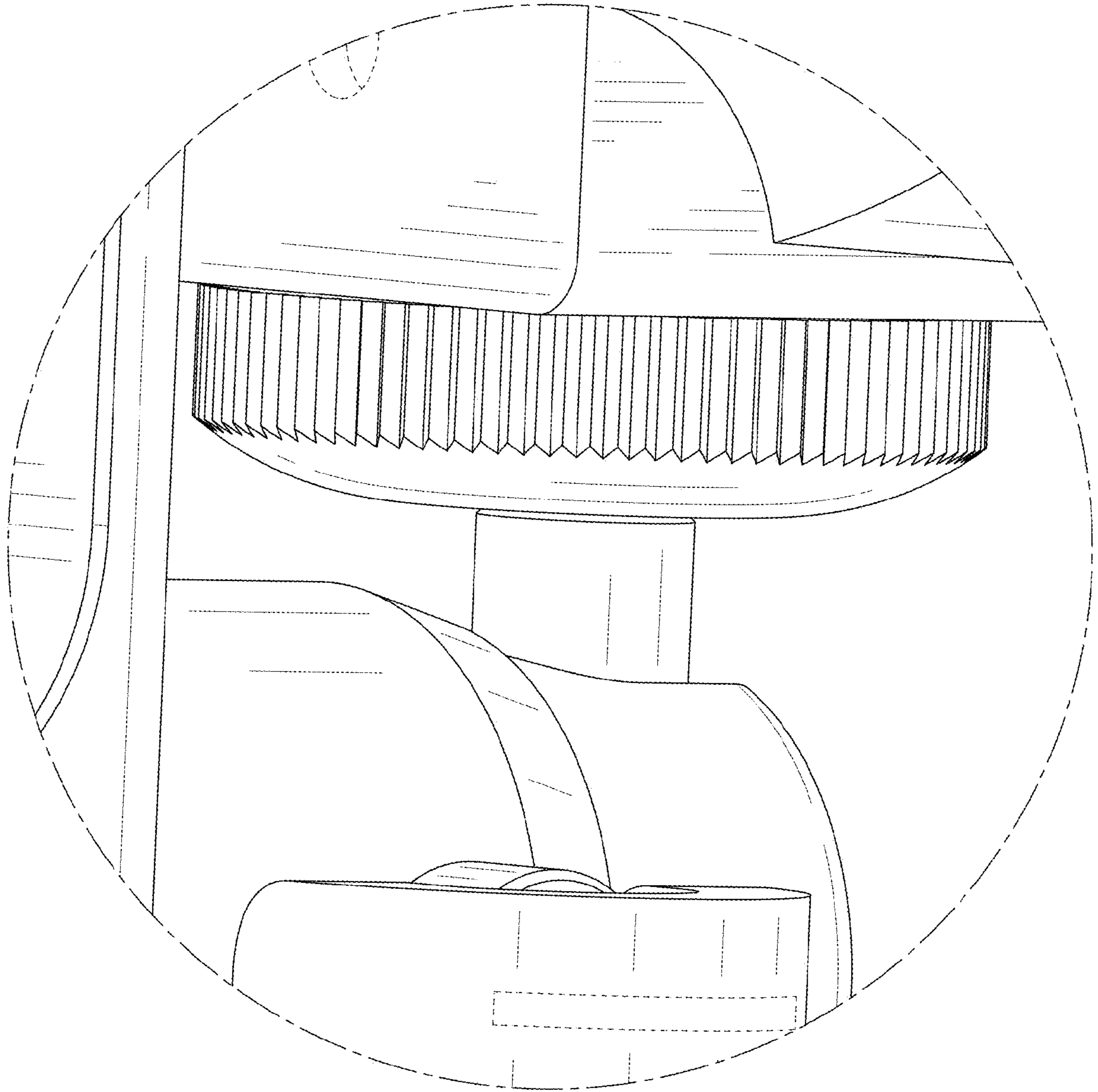


FIG. 9