



US00D961828S

(12) **United States Design Patent** (10) **Patent No.:** **US D961,828 S**
Chen (45) **Date of Patent:** **** Aug. 23, 2022**

(54) **CAMPING LIGHT**

FOREIGN PATENT DOCUMENTS

(71) Applicant: **Heshan Pace Technology Co., Ltd.**,
Heshan (CN)

KR 300737960.0000 * 4/2014

(72) Inventor: **Qiusheng Chen**, Heshan (CN)

OTHER PUBLICATIONS

(73) Assignee: **HESHAN PACE TECHNOLOGY CO., LTD.**, Heshan (CN)

Letour Camping Light. By Letour. Dated Sep. 26, 2019. Found online [Mar. 4, 2022]. <https://www.amazon.co.uk/LETOUR-Rechargeable-Portable-Emergency-Waterproof/dp/B07YFQ4GLT> (Year: 2019).*

(**) Term: **15 Years**

(Continued)

(21) Appl. No.: **29/766,271**

Primary Examiner — Marissa J Cash
Assistant Examiner — William B Melliar

(22) Filed: **Jan. 14, 2021**

(74) *Attorney, Agent, or Firm* — Ware, Fressola, Maguire & Barber LLP

(51) **LOC (13) Cl.** **26-02**

(57) **CLAIM**

(52) **U.S. Cl.**
USPC **D26/40**

The ornamental design for a camping light, as shown and described.

(58) **Field of Classification Search**
USPC D26/24, 37–52, 93, 104–107, 113,
D26/118–120, 138
CPC F21Y 2115/10; F21L 4/00; F21L 19/00;
F21L 4/045; F21V 15/012; F21V
21/0965; F21V 9/083; A45F 3/44
See application file for complete search history.

DESCRIPTION

(56) **References Cited**

U.S. PATENT DOCUMENTS

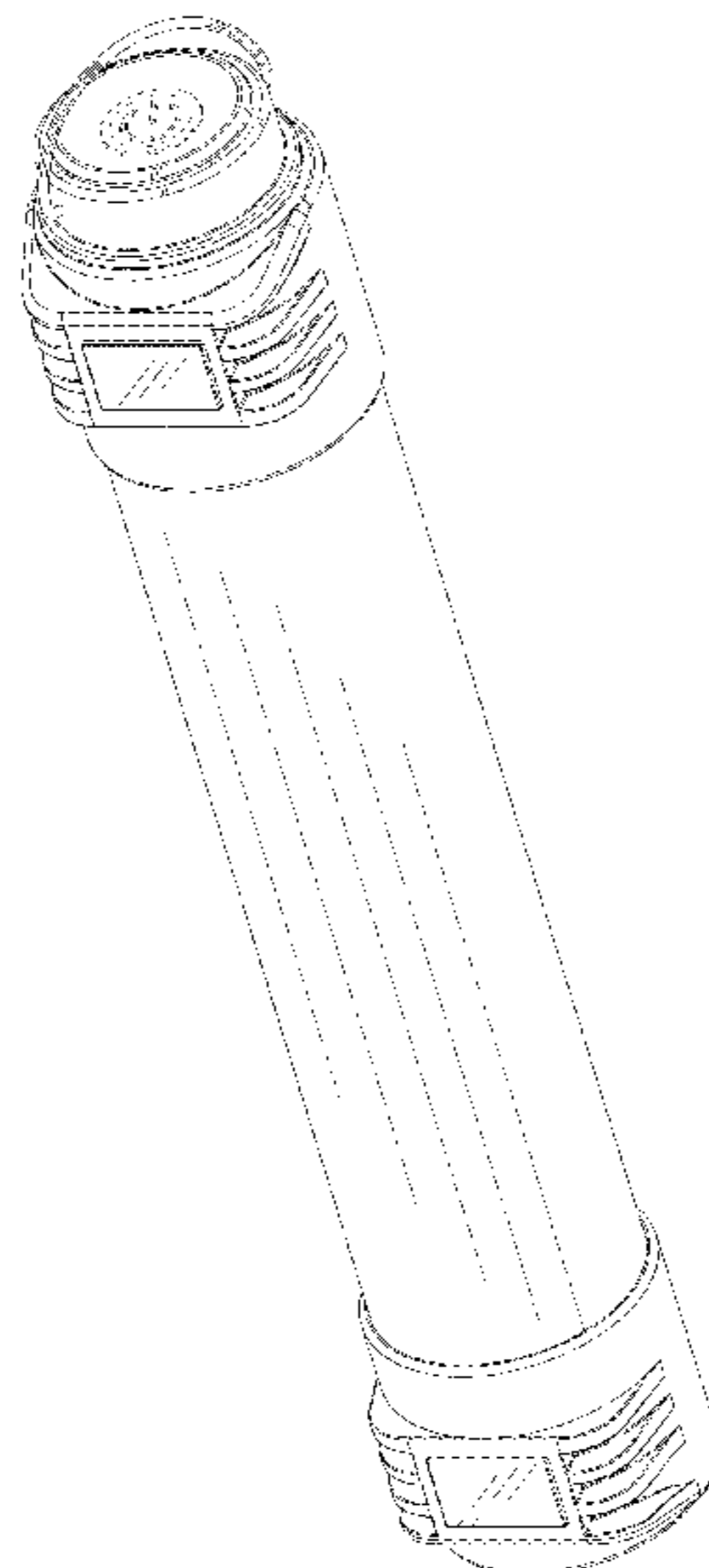
D267,514 S *	1/1983	Leung	D26/37
D282,492 S *	2/1986	Yuen	D26/42
D599,925 S *	9/2009	Kingston	D26/44
D639,465 S *	6/2011	Abernethy	D26/37
D668,382 S *	10/2012	Schieffelin	D26/142
D710,725 S *	8/2014	Laarman	D10/114.2
D743,594 S *	11/2015	Scazziga	D26/37
D753,006 S *	4/2016	Deyaf	D26/37
D753,856 S *	4/2016	Iwaki	D10/114.9
D800,942 S *	10/2017	Poyrah	D26/72
D835,314 S *	12/2018	Sun	D26/43
D844,873 S *	4/2019	Koshiba	D26/44

FIG. 1 is a front-top perspective view of a camping light of the present disclosure;
FIG. 2 is a rear-bottom perspective view of the camping light shown in FIG. 1;
FIG. 3 is a front elevational view of the camping light shown in FIG. 1;
FIG. 4 is a rear elevational view of the camping light shown in FIG. 1;
FIG. 5 is a right-side elevational view of the camping light shown in FIG. 1;
FIG. 6 is a left-side elevational view of the camping light shown in FIG. 1;
FIG. 7 is a top plan view of the camping light shown in FIG. 1; and,
FIG. 8 is a bottom plan view of the camping light shown in FIG. 1.

The broken lines shown in the drawings are for the purpose of illustrating portions of the camping light that form no part of the claimed design.

(Continued)

1 Claim, 8 Drawing Sheets



(56)

References Cited

U.S. PATENT DOCUMENTS

D878,648 S * 3/2020 Zhao D26/37
D906,559 S * 12/2020 Westling D26/49
D938,086 S * 12/2021 Yang D26/85
D938,640 S * 12/2021 Zou D26/85

OTHER PUBLICATIONS

Camping Lantern Rechargeable. By Kayinow. Dated Jun. 18, 2021.
Found online [Mar. 4, 2022]. <https://www.amazon.com/Rechargeable-Waterproof-Flashlight-Hurricane-Emergency/dp/B097H13YCM> (Year: 2021).*

* cited by examiner

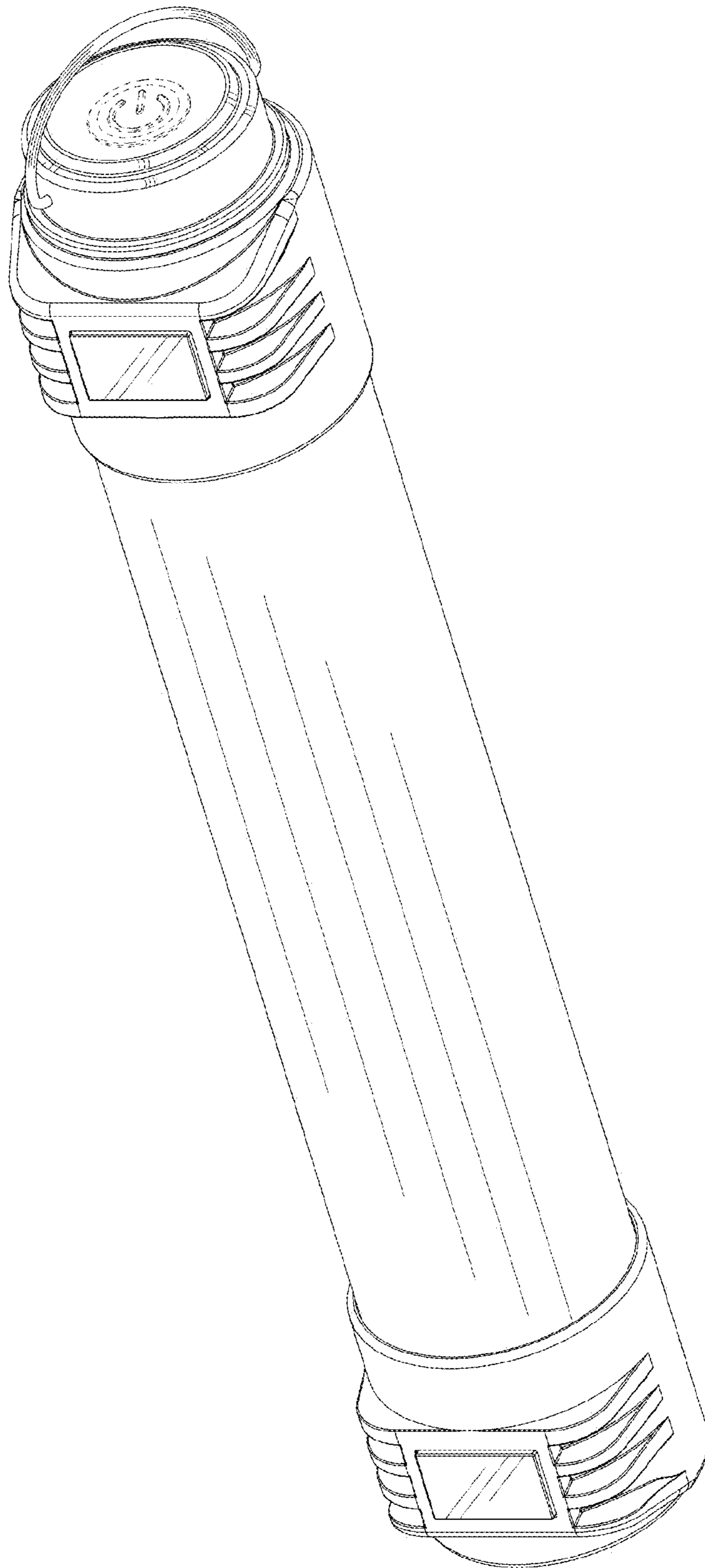


FIG. 1

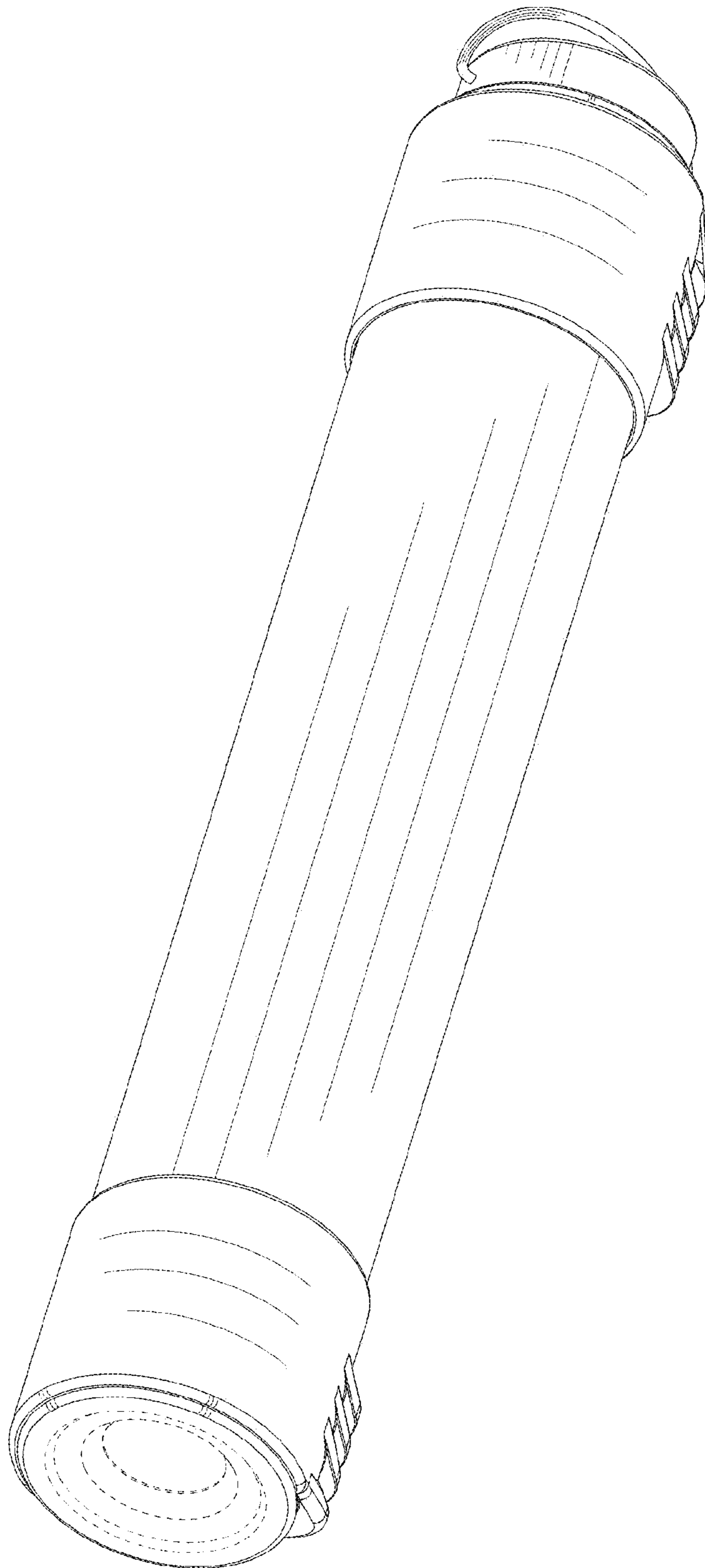


FIG.2

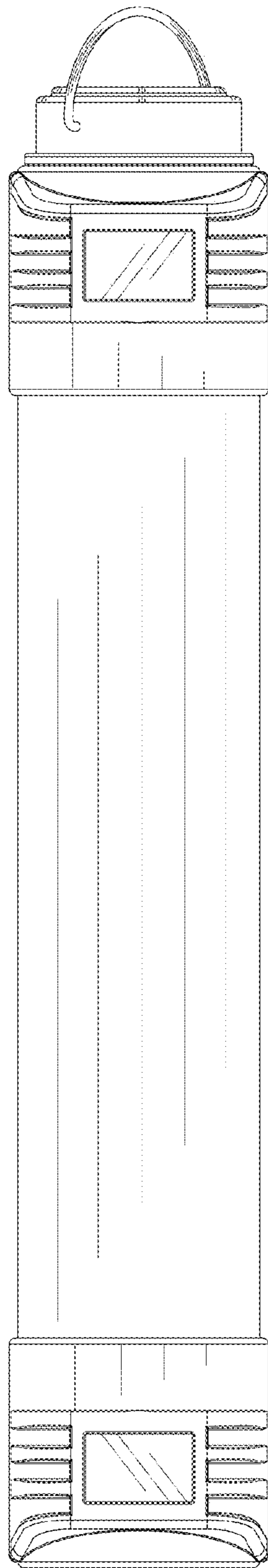


FIG.3

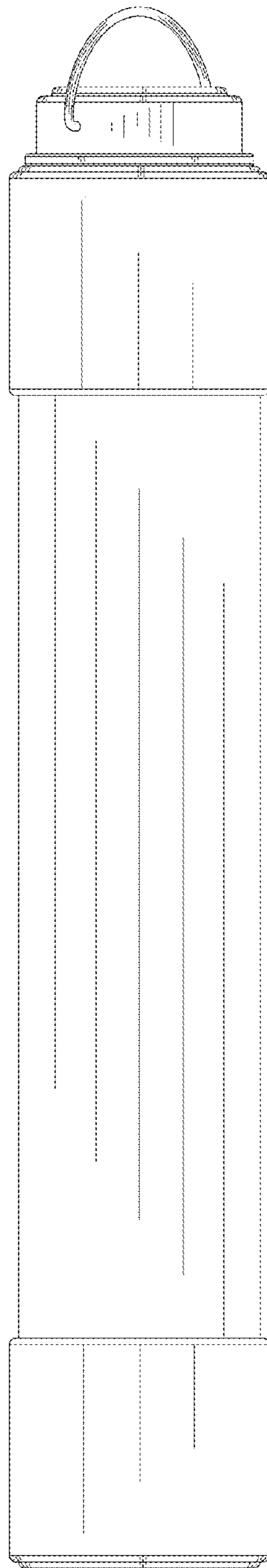


FIG.4

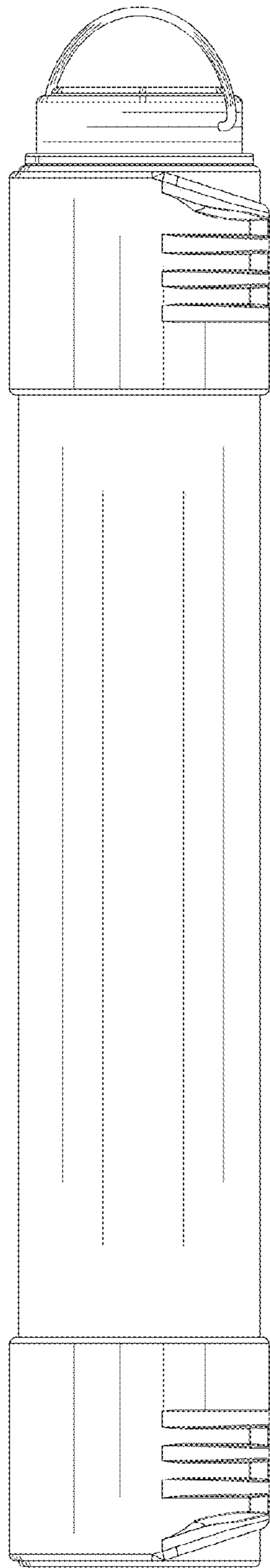


FIG. 5

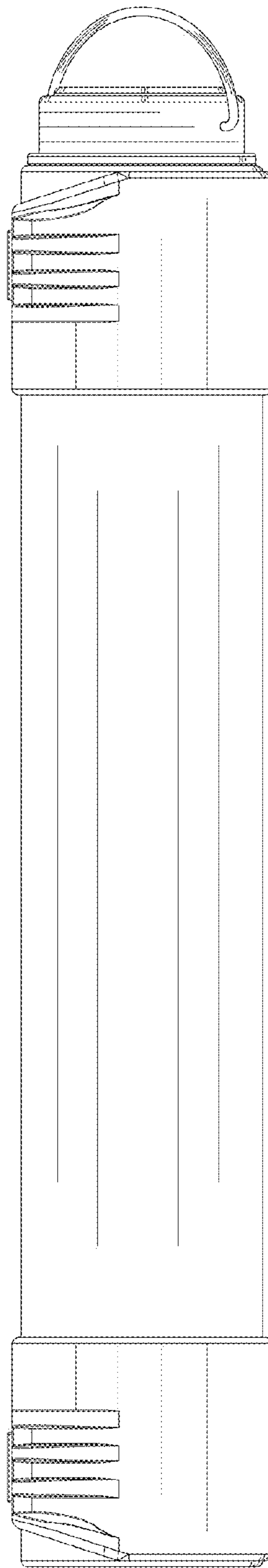


FIG.6

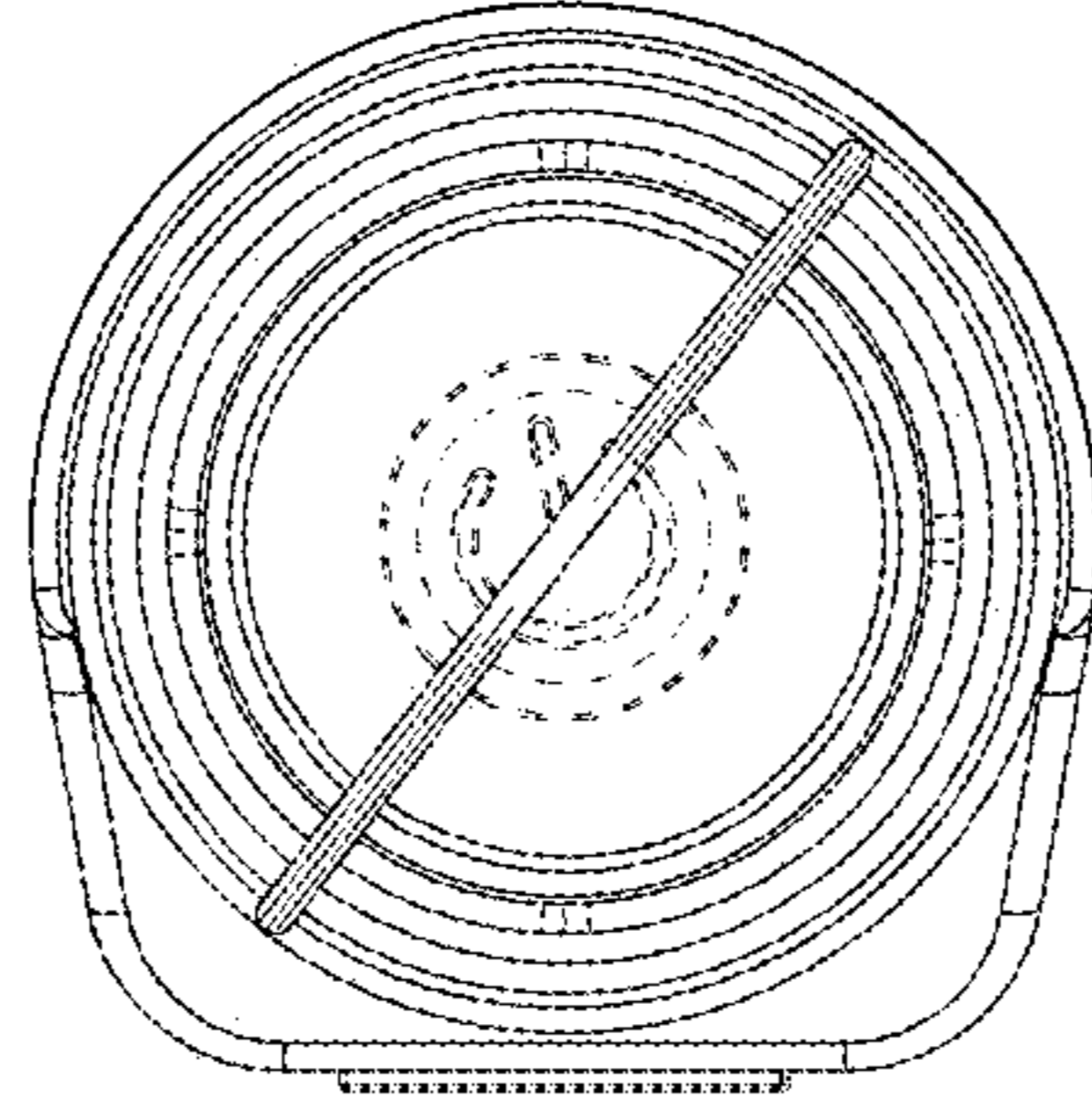


FIG. 7

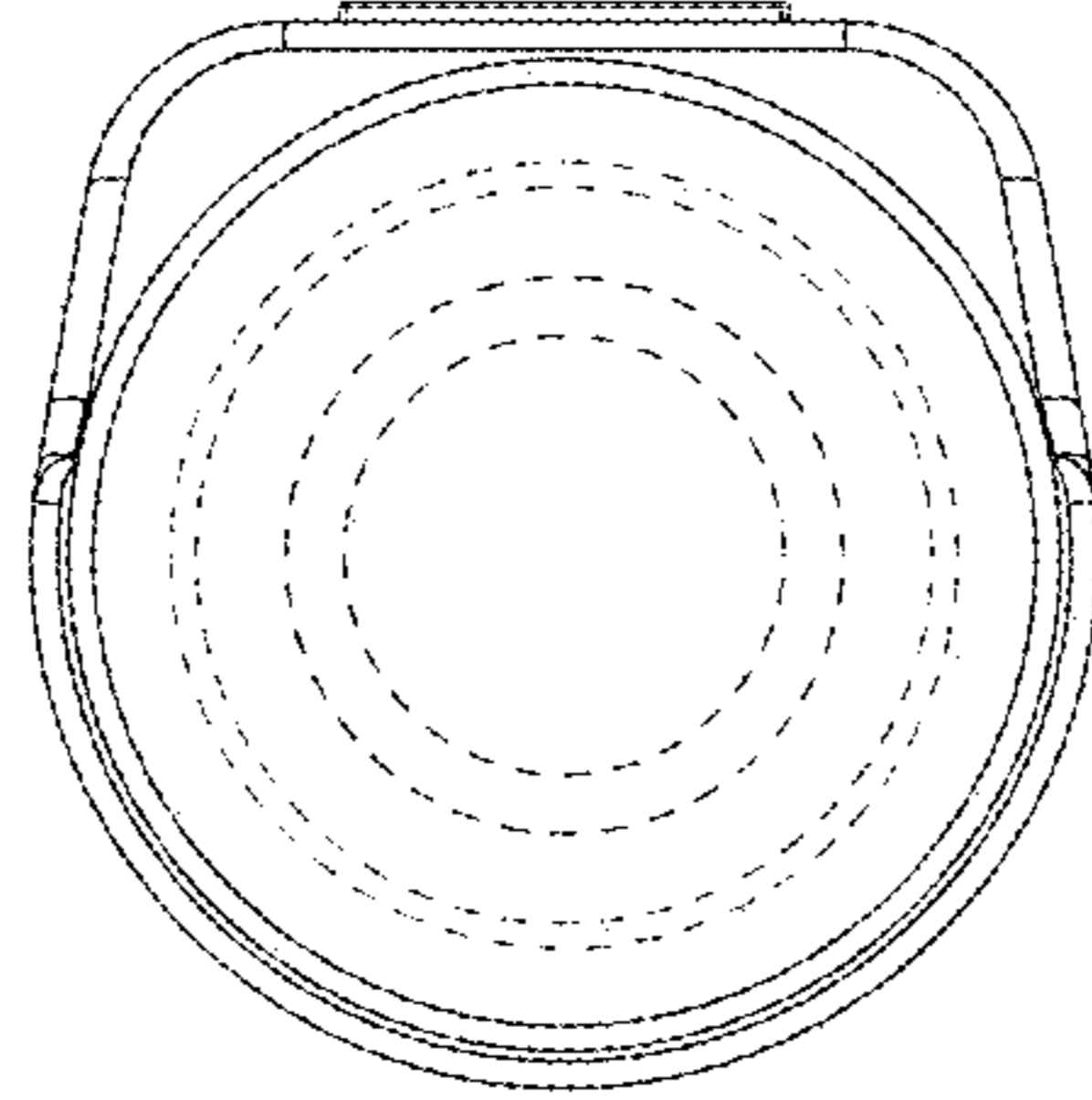


FIG.8