



US00D961826S

(12) **United States Design Patent** (10) **Patent No.:** **US D961,826 S**
Huang (45) **Date of Patent:** **** Aug. 23, 2022**

(54) **LED HEADLIGHT**

F21V 5/006; F21V 5/008; F21V 5/08;
F21V 7/00; F21V 7/09; F21V 9/30

(71) Applicant: **Foshan Yayu Electronic Commerce Co., Ltd.**, Foshan (CN)

See application file for complete search history.

(72) Inventor: **Bing Huang**, Luoding (CN)

(56) **References Cited**

(*) Notice: Patent file contains an affidavit/declaration under 37 CFR 1.130(b).

U.S. PATENT DOCUMENTS

(**) Term: **15 Years**

D628,323	S	*	11/2010	Matthews	D22/108
D628,324	S	*	11/2010	Matthews	D22/108
D673,709	S	*	1/2013	Sharrah	D26/60
D707,868	S	*	6/2014	Lee	D26/39
D715,982	S	*	10/2014	Windom	D26/39
D729,426	S	*	5/2015	Dalton	D26/39

(Continued)

(21) Appl. No.: **29/780,786**

FOREIGN PATENT DOCUMENTS

(22) Filed: **Apr. 27, 2021**

CN	301618762	*	7/2011
CN	303001475	*	11/2014

(51) **LOC (13) Cl.** **26-02**

(Continued)

(52) **U.S. Cl.**

USPC **D26/39**

(58) **Field of Classification Search**

USPC D26/24, 37-52, 113, 118-119, 138

CPC F21Y 2115/10; F21Y 2113/13; F21Y

2115/30; F21Y 2113/10; F21Y 2105/12;

F21Y 2107/00; F21Y 2113/00; F21Y

2113/17; F21Y 2113/20; F21Y 2115/00;

F21V 21/084; F21V 23/0414; F21V

23/0492; F21V 23/002; F21V 21/0816;

F21V 21/30; F21V 23/003; F21V

23/0471; F21V 14/06; F21V 15/01; F21V

17/02; F21V 21/096; F21V 21/0965;

F21V 21/145; F21V 23/023; F21V

23/0442; F21V 14/02; F21V 14/025;

F21V 14/04; F21V 17/007; F21V 17/06;

F21V 17/12; F21V 21/002; F21V

21/0885; F21V 21/10; F21V 23/007;

F21V 23/02; F21V 23/0464; F21V

23/0478; F21V 23/0485; F21V 29/15;

F21V 29/70; F21V 33/0008; F21V 5/004;

OTHER PUBLICATIONS

YAYUPRC Headlamp. By YAYUPRC. Dated Jun. 3, 2020. Found online [Feb. 1, 2022]. <https://www.amazon.com/Headlamp-Rechargeable-Flashlight-Spotlight-Hunting/dp/B089NB73FR> (Year: 2020).*

(Continued)

Primary Examiner — Marissa J Cash
Assistant Examiner — William B Melliar

(57) **CLAIM**

The ornamental design for a LED headlight, as shown and described.

DESCRIPTION

FIG. 1 is a front and bottom perspective view of a LED headlight, showing my new design;

FIG. 2 is a rear and top perspective view thereof;

FIG. 3 is a front elevation view thereof;

FIG. 4 is a rear elevation view thereof;

FIG. 5 is a left side elevation view thereof;

FIG. 6 is a right side elevation view thereof;

(Continued)

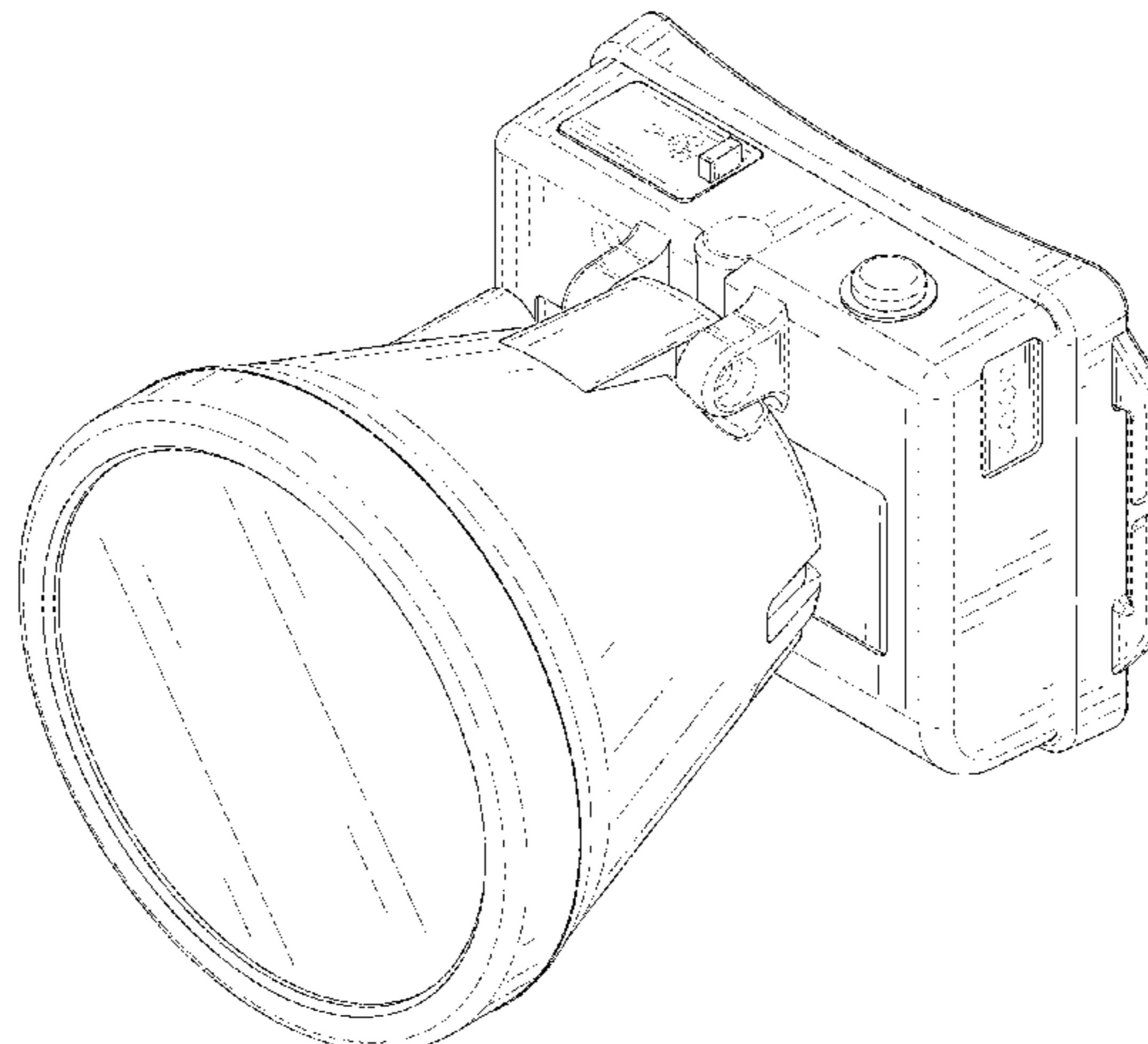


FIG. 7 is a top plan view thereof; and,
FIG. 8 is a bottom plan view thereof.
The broken lines in the figures illustrate portions of the LED
headlight that form no part of the claimed design.

1 Claim, 8 Drawing Sheets

(56)

References Cited

U.S. PATENT DOCUMENTS

D762,899 S * 8/2016 Green D26/39
D803,442 S * 11/2017 Green D26/39
D809,685 S * 2/2018 Green D26/39
D821,006 S * 6/2018 Chen D26/39
D836,228 S * 12/2018 Kunzendorf D26/39
D877,950 S 3/2020 Yau

D935,657 S * 11/2021 Xiao D26/39
2016/0146443 A1 * 5/2016 Steiner F21V 14/065
362/105
2020/0281297 A1 * 9/2020 Kaye F21V 23/0471

FOREIGN PATENT DOCUMENTS

CN 303567153 * 1/2016
CN 304614726 * 5/2018
CN 306599169 * 1/2021

OTHER PUBLICATIONS

ODEAR Super Bright Adjustable Rechargeable Headlamp. By
ODEAR. Dated Sep. 2, 2016. Found online [Feb. 1, 2022]. [https://
www.amazon.com/ODEAR-Rechargeable-Headlamp-Flashlight-
HeadLamp/dp/B015PQCI1C](https://www.amazon.com/ODEAR-Rechargeable-Headlamp-Flashlight-HeadLamp/dp/B015PQCI1C) (Year: 2016).*

* cited by examiner

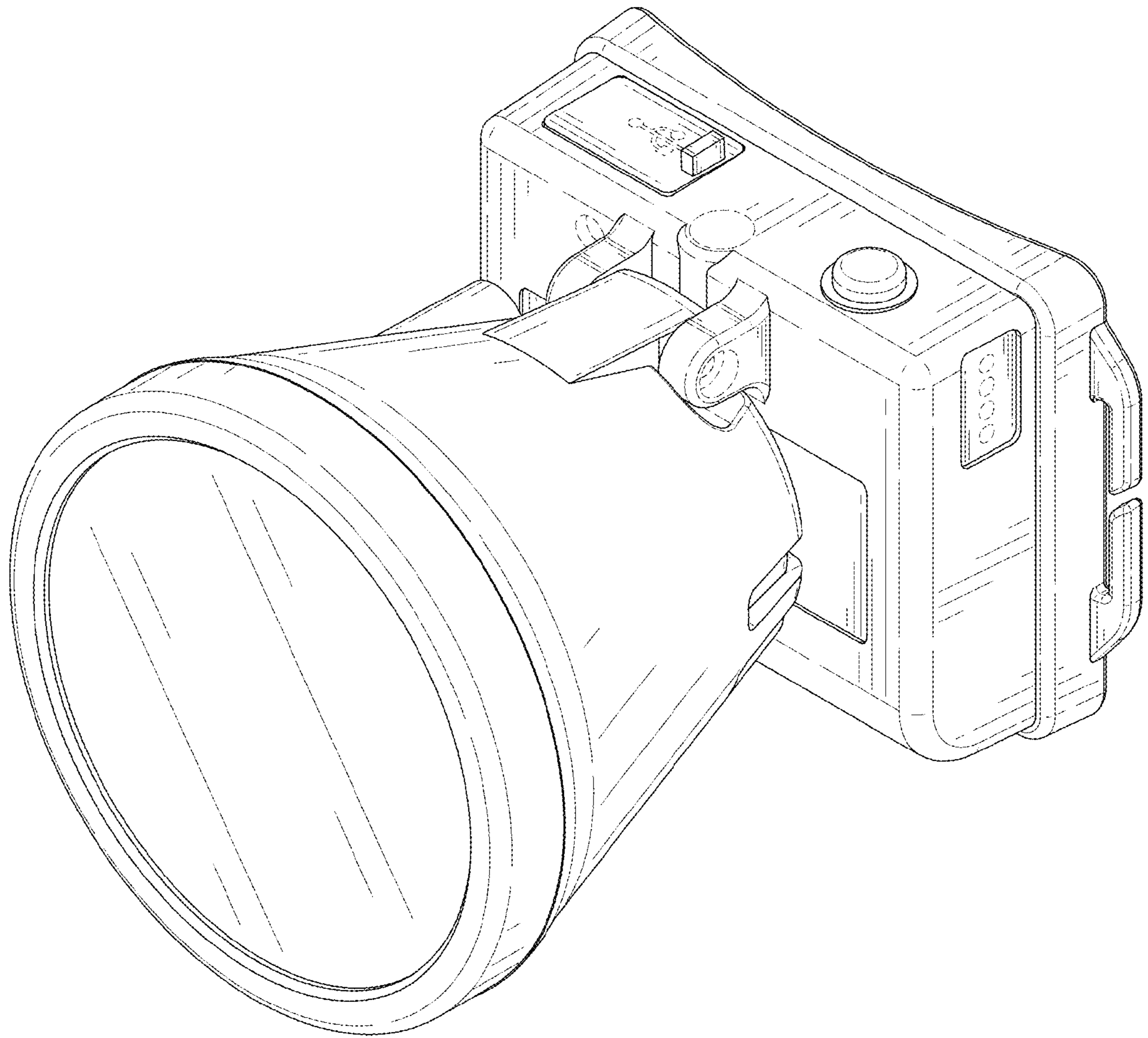


FIG. 1

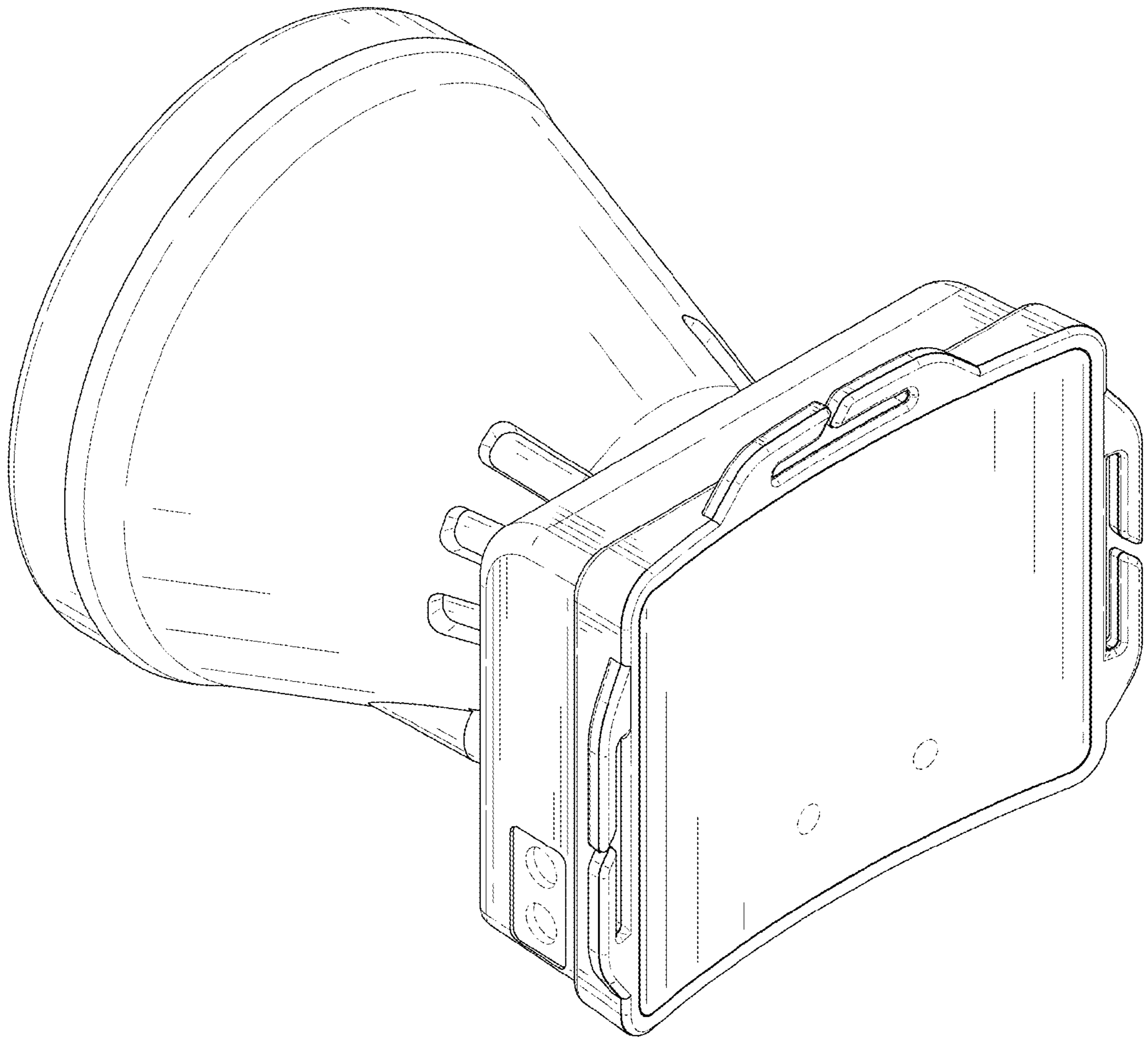


FIG. 2

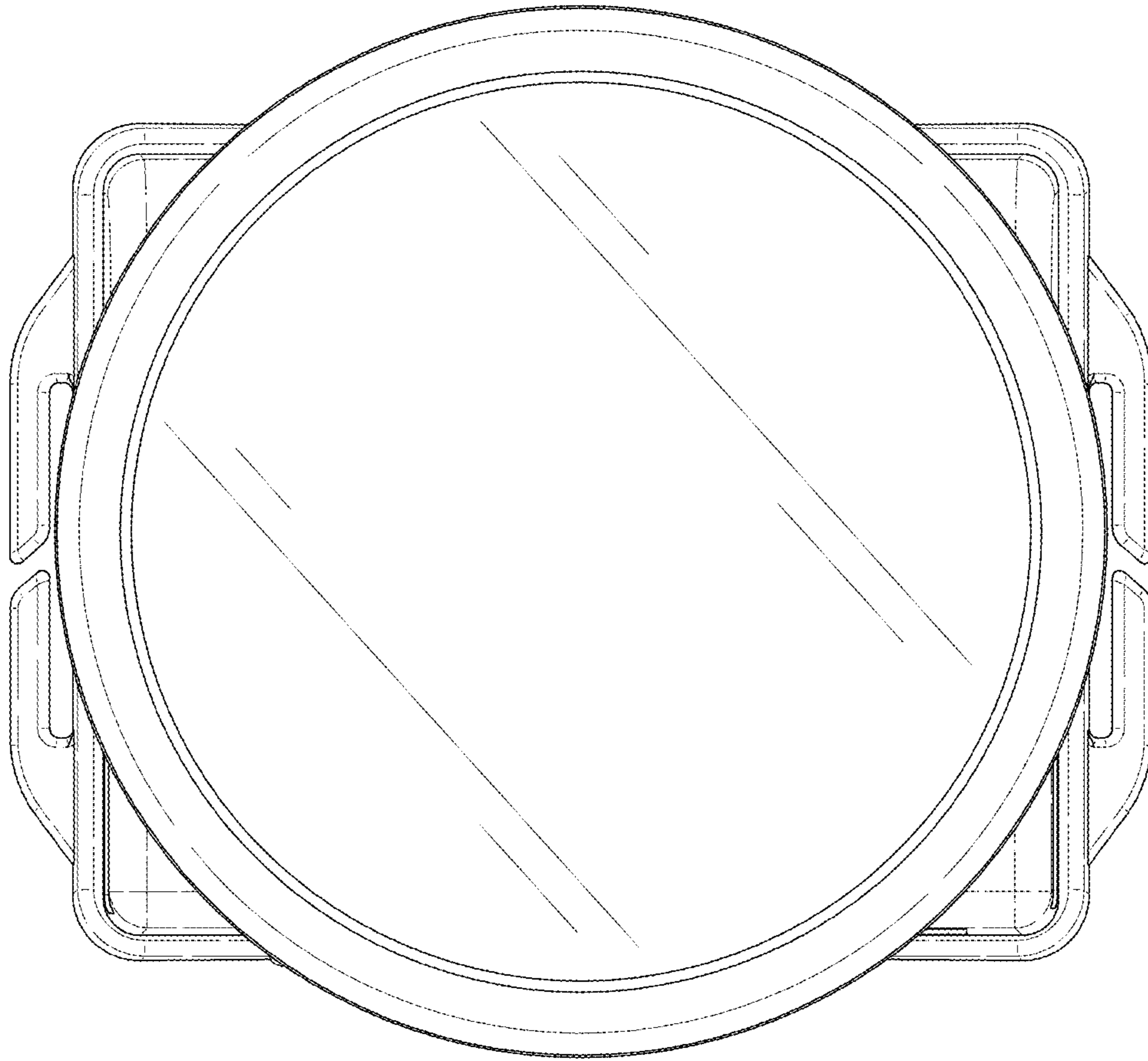


FIG. 3

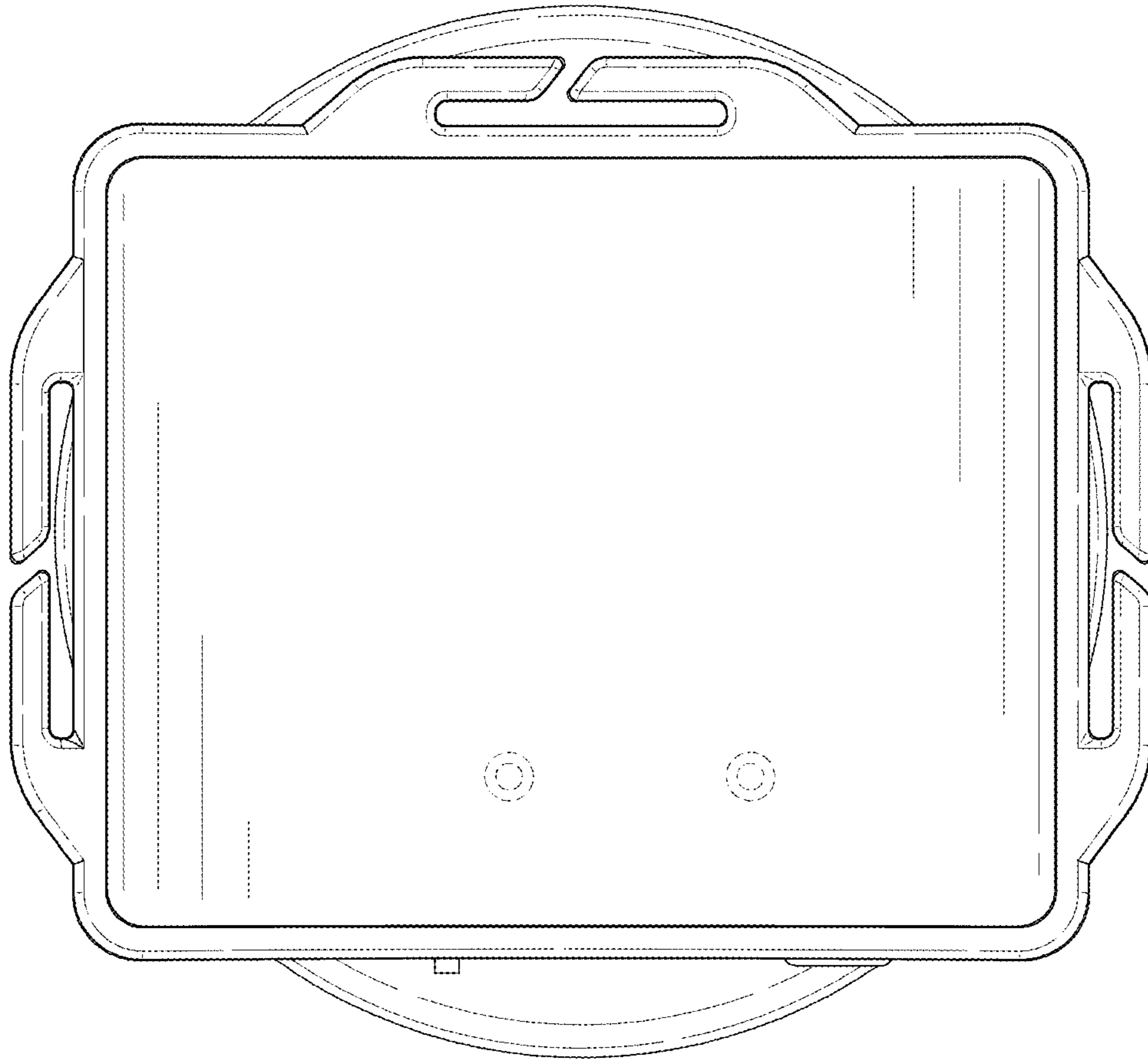


FIG. 4

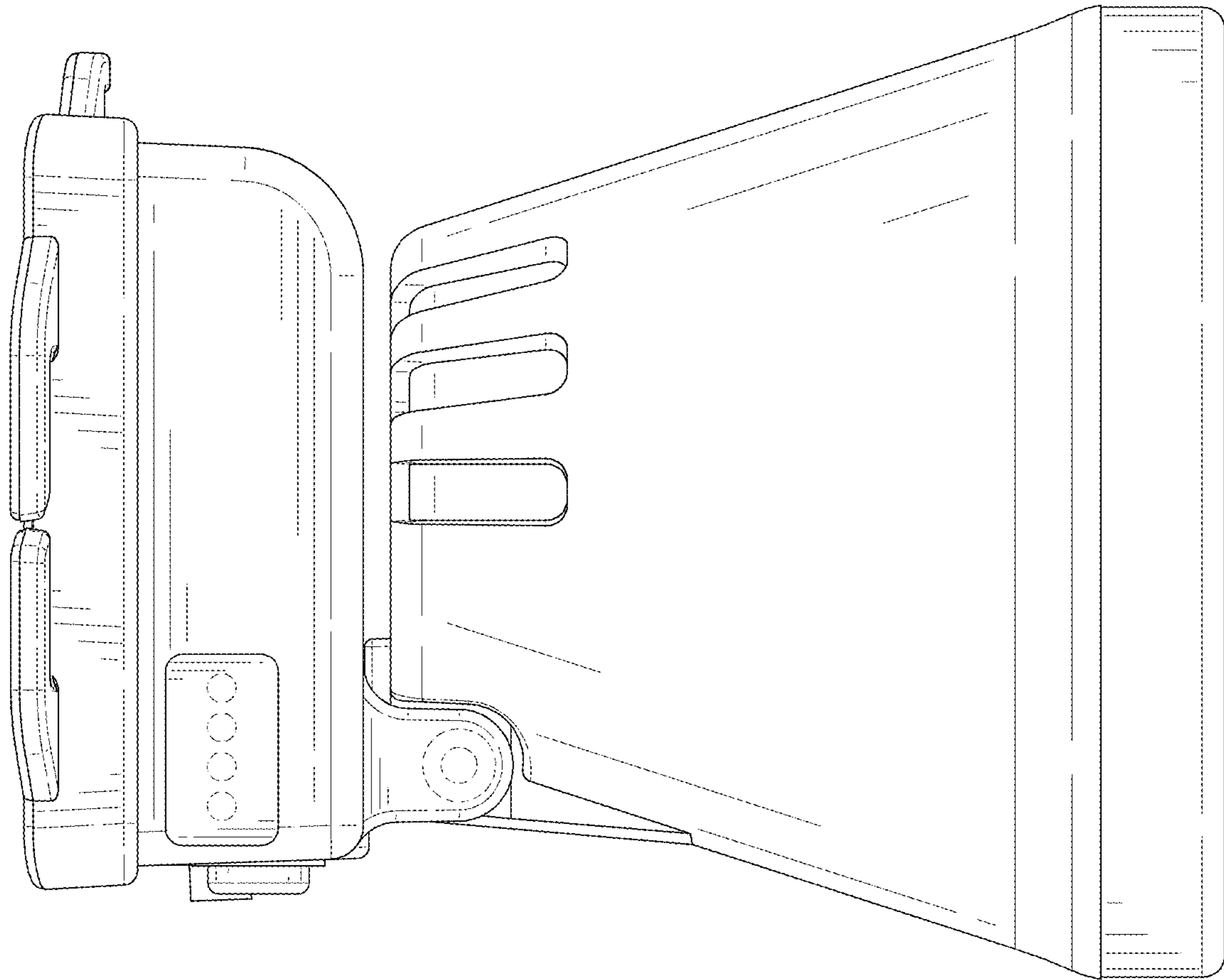


FIG. 5

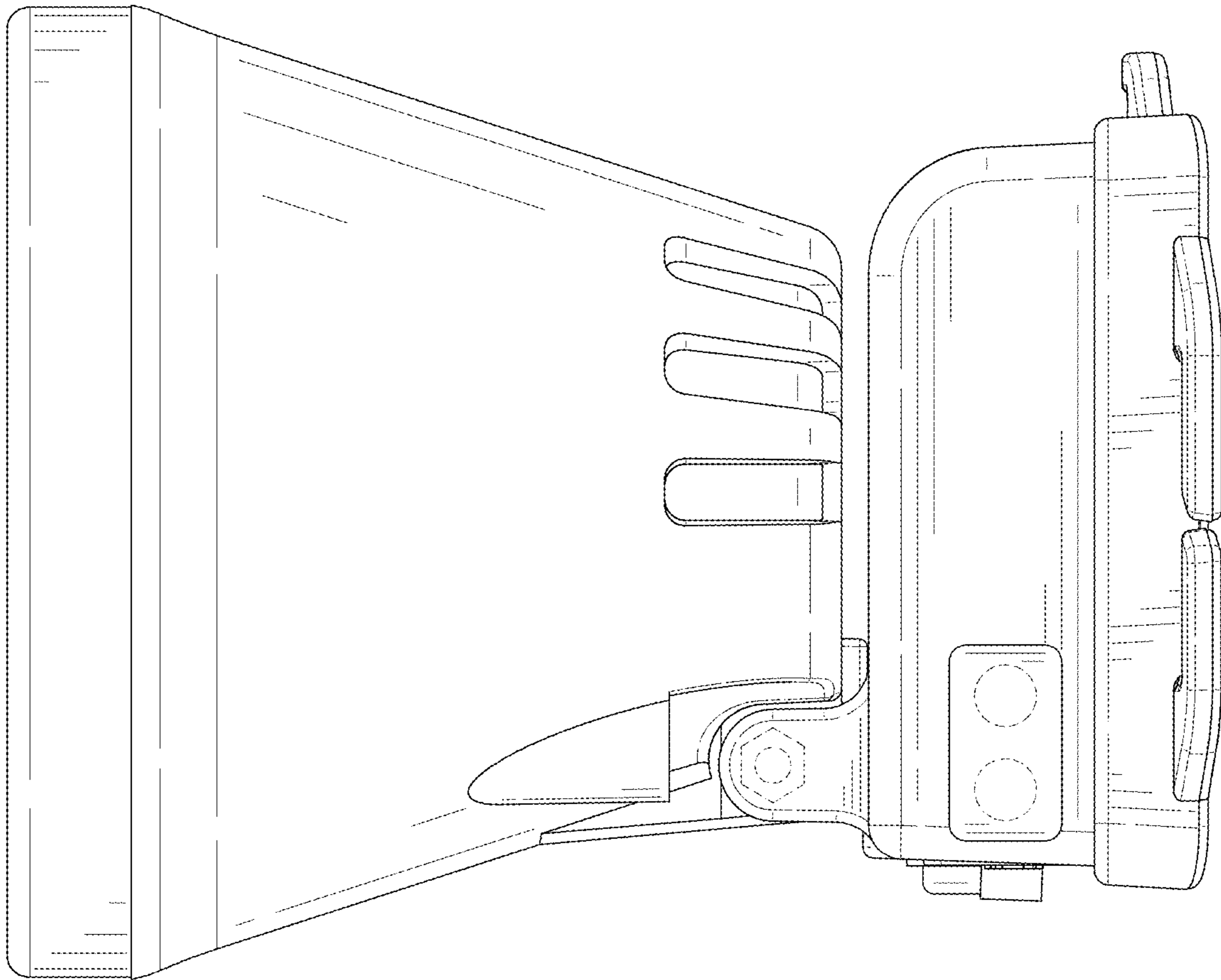


FIG. 6

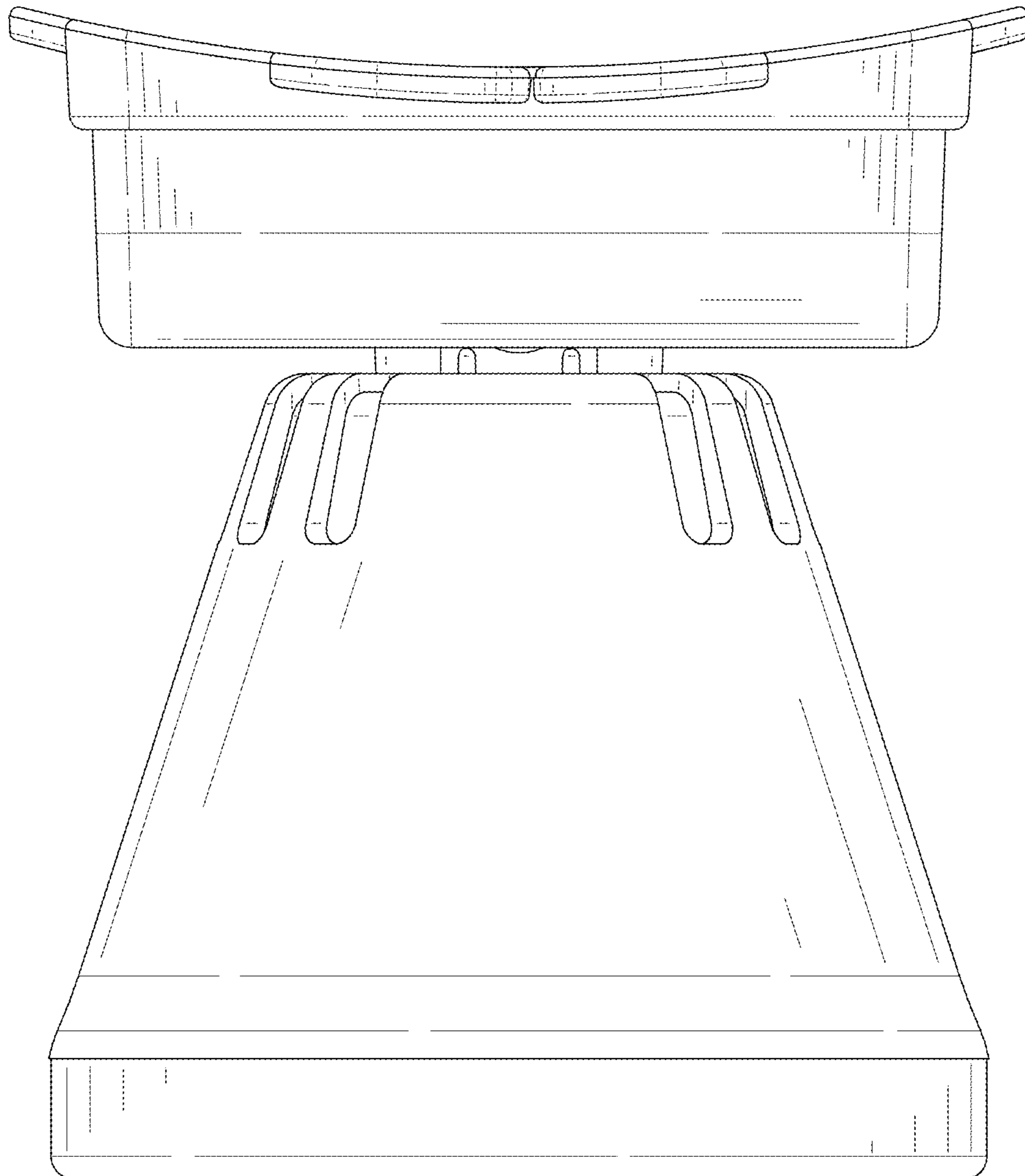


FIG. 7

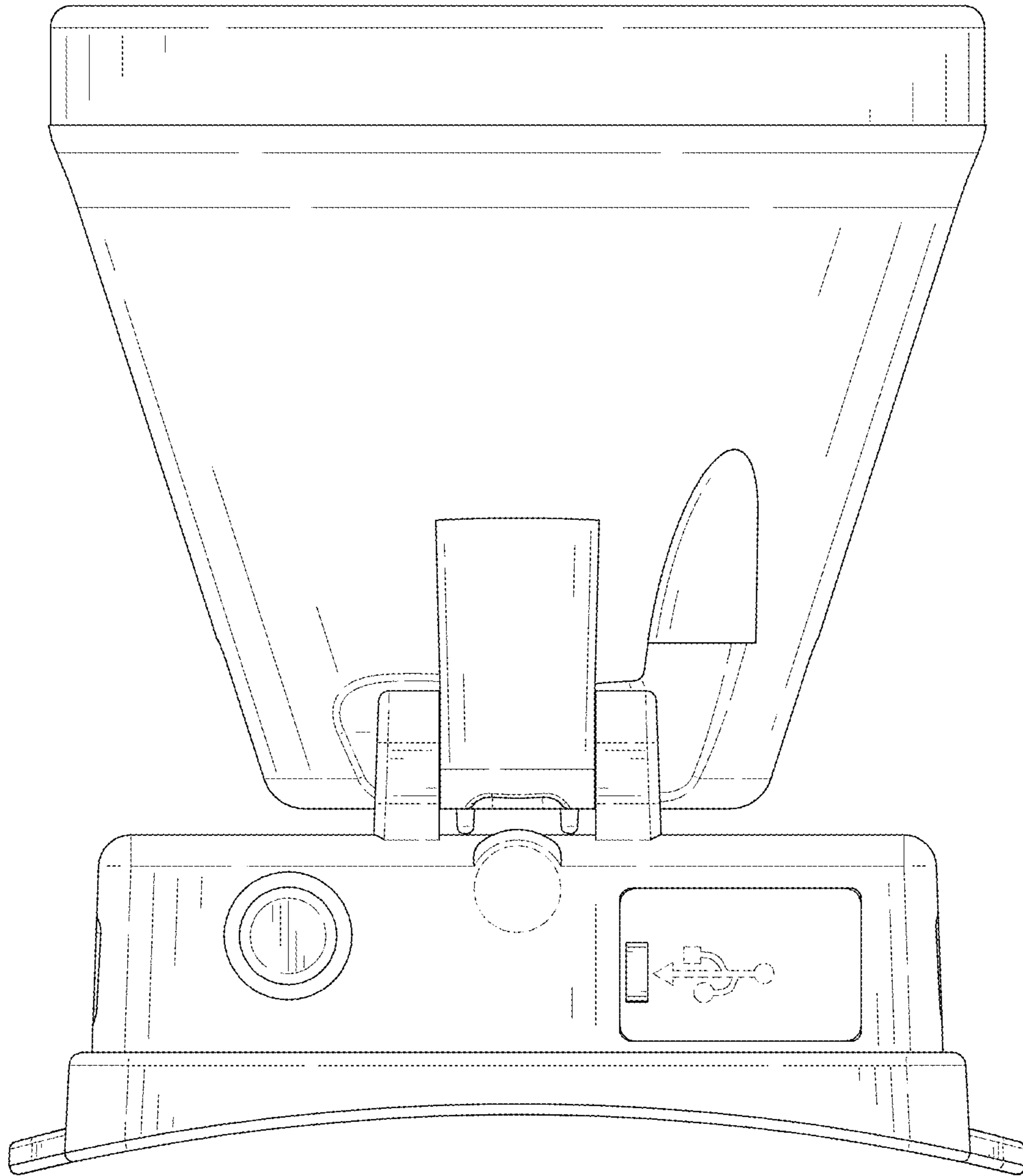


FIG. 8