



US00D961824S

(12) **United States Design Patent**
Zhang

(10) **Patent No.:** **US D961,824 S**

(45) **Date of Patent:** **** Aug. 23, 2022**

(54) **MULTI-LIGHT-SOURCE HEADLIGHT**

D857,286 S * 8/2019 Cao D26/119
D865,249 S * 10/2019 Wu D26/39
D884,944 S * 5/2020 Fitch D26/39

(Continued)

(71) Applicant: **Yong Zhang**, Yiwu (CN)

(72) Inventor: **Yong Zhang**, Yiwu (CN)

(**) Term: **15 Years**

(21) Appl. No.: **29/723,848**

(22) Filed: **Feb. 11, 2020**

(51) **LOC (13) Cl.** **26-02**

(52) **U.S. Cl.**
USPC **D26/39**

(58) **Field of Classification Search**

USPC D26/24, 26, 37-51, 60-61, 113, 119-120
CPC F21Y 2115/10; F21Y 2101/00; F21Y
2103/10; F21Y 2105/10; F21Y 2105/16;
F21Y 2113/10; F21Y 2113/13; F21Y
2115/00; F21W 2102/13; F21W 2102/18;
F21W 2102/135; F21W 2102/19; F21W
2102/145; F21W 2102/16; F21W
2107/17; F21W 2102/00; F21W 2102/10;
F21W 2102/14; F21W 2102/155; F21W
2102/165; F21W 2102/20; F21W
2103/55; F21W 2103/60; F21V 9/14;
F21V 29/51; F21V 5/04; F21V 9/30;
F21V 14/04; F21V 17/18; F21V 19/04;
F21V 21/06; F21V 21/088; F21V 21/22;
F21V 2200/00; F21V 29/78; F21V 29/85;
F21V 5/00; F21V 5/045; F21V 5/048;
F21V 7/00; F21V 7/22; F21V 9/08; F21V
9/40

See application file for complete search history.

(56) **References Cited**

U.S. PATENT DOCUMENTS

D294,870 S * 3/1988 Hsu D26/52
D595,086 S * 6/2009 Borovicka D26/24
D627,908 S * 11/2010 Hu D26/63
D661,834 S * 6/2012 Lin D26/138
D789,584 S * 6/2017 Peard D26/61
D828,596 S * 9/2018 Cao D26/39

FOREIGN PATENT DOCUMENTS

CN 201430003039 * 7/2014
GB 6099615 * 9/2020

OTHER PUBLICATIONS

Headlamp 12000 Lumen Ultra Bright. By Alyattes. Dated Dec. 27, 2018. Found online [Aug. 18, 2021]. https://www.amazon.com/Headlamp-Headlight-Rechargeable-Batteries-Waterproof/dp/B07H4GPCSS/ref=sr_1_14?dchild=1&keywords=headlamp&qid=1629312392&sr=8-14 (Year: 2018).*

(Continued)

Primary Examiner — Marissa J Cash
Assistant Examiner — William B Melliar
(74) *Attorney, Agent, or Firm* — Cantor Colburn LLP

(57) **CLAIM**

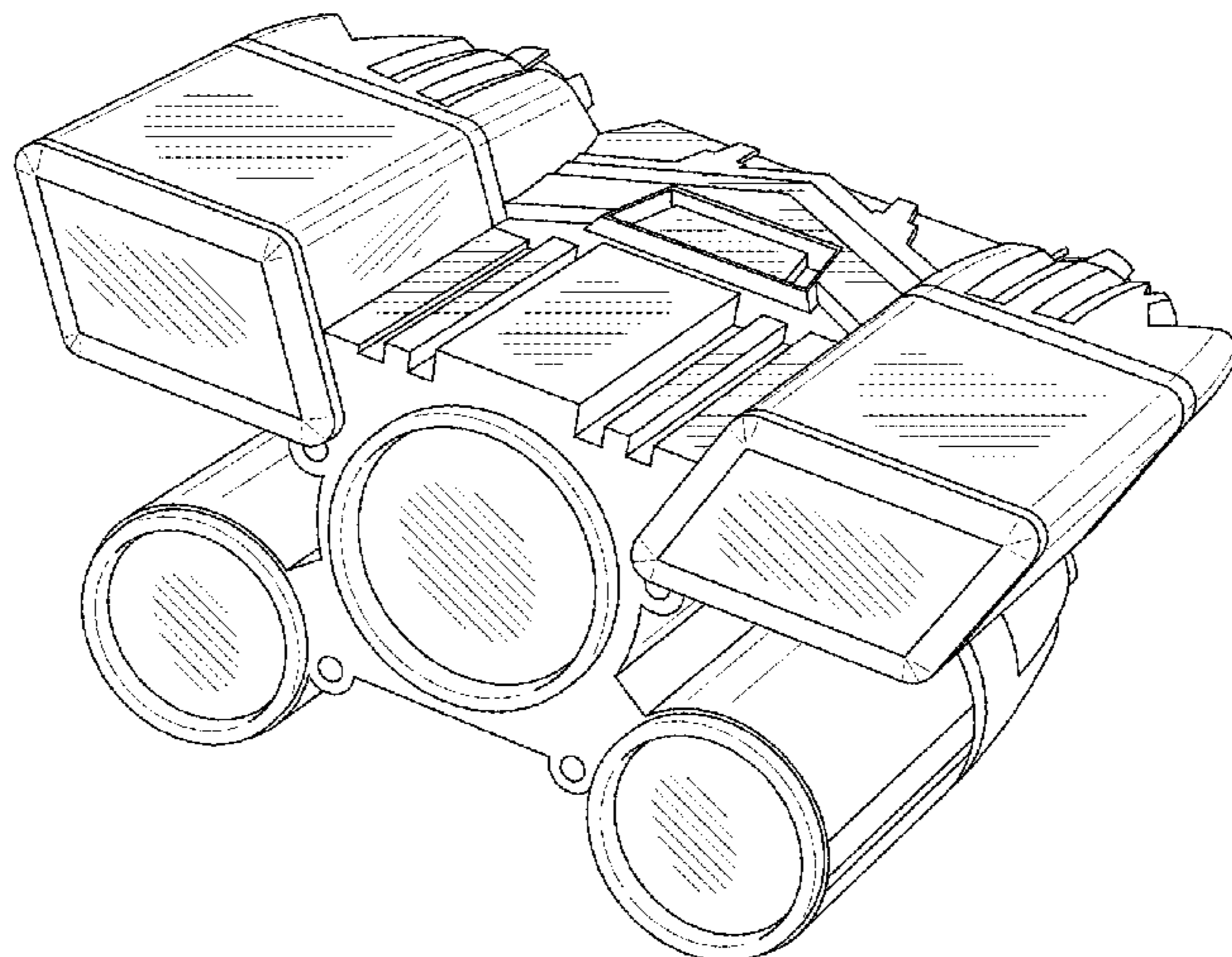
I claim, the ornamental design for a multi-light-source headlight, as shown and described.

DESCRIPTION

FIG. 1 is a front elevational view of a multi-light-source headlight;
FIG. 2 is a rear elevational view thereof;
FIG. 3 is a right side elevational view thereof;
FIG. 4 is a left side elevational view thereof;
FIG. 5 is a top plan view thereof;
FIG. 6 is a bottom plan view thereof;
FIG. 7 is a front perspective view of the multi-light-source headlight; and,
FIG. 8 is a rear perspective view of the multi-light-source headlight.

The broken lines in the drawings depict portions of the multi-light source headlight that form no part of the claimed design.

1 Claim, 8 Drawing Sheets



(56)

References Cited

U.S. PATENT DOCUMENTS

D919,154 S * 5/2021 Zhou D26/63
D925,801 S * 7/2021 Hallack D26/65

OTHER PUBLICATIONS

Rechargeable Headlamp 10000 Lumens. By Phiakle. Dated Jul. 2, 2021. Found online [Aug. 18, 2021]. https://www.amazon.com/Rechargeable-Headlamp-Flashlight-Waterproof-Outdoors/dp/B098JDF717/ref=sr_1_121?dchild=1&keywords=headlamp&qid=1629312555&sr=8-121 (Year: 2021).*

ZeroDarkness Headlamp. By Zero Darkness. Dated Feb. 24, 2021. Found online [Aug. 18, 2021]. https://www.amazon.com/ZeroDarkness-Headlamp-Headlight-Aluminum-Rechargeable/dp/B08XBD9STV/ref=sr_1_149?dchild=1&keywords=headlamp&qid=1629312650&sr=8-149 (Year: 2021).*

* cited by examiner

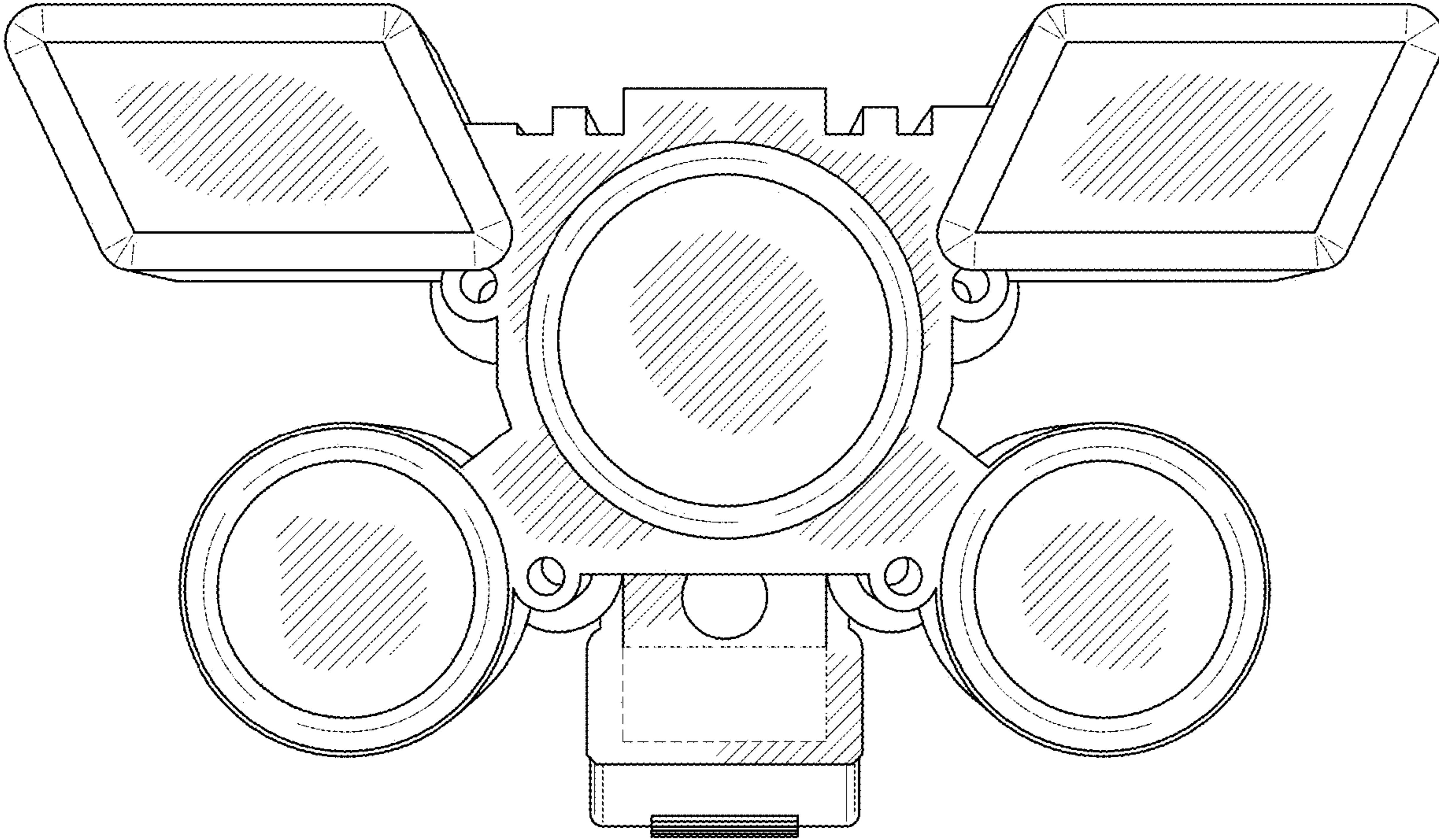


FIG. 1

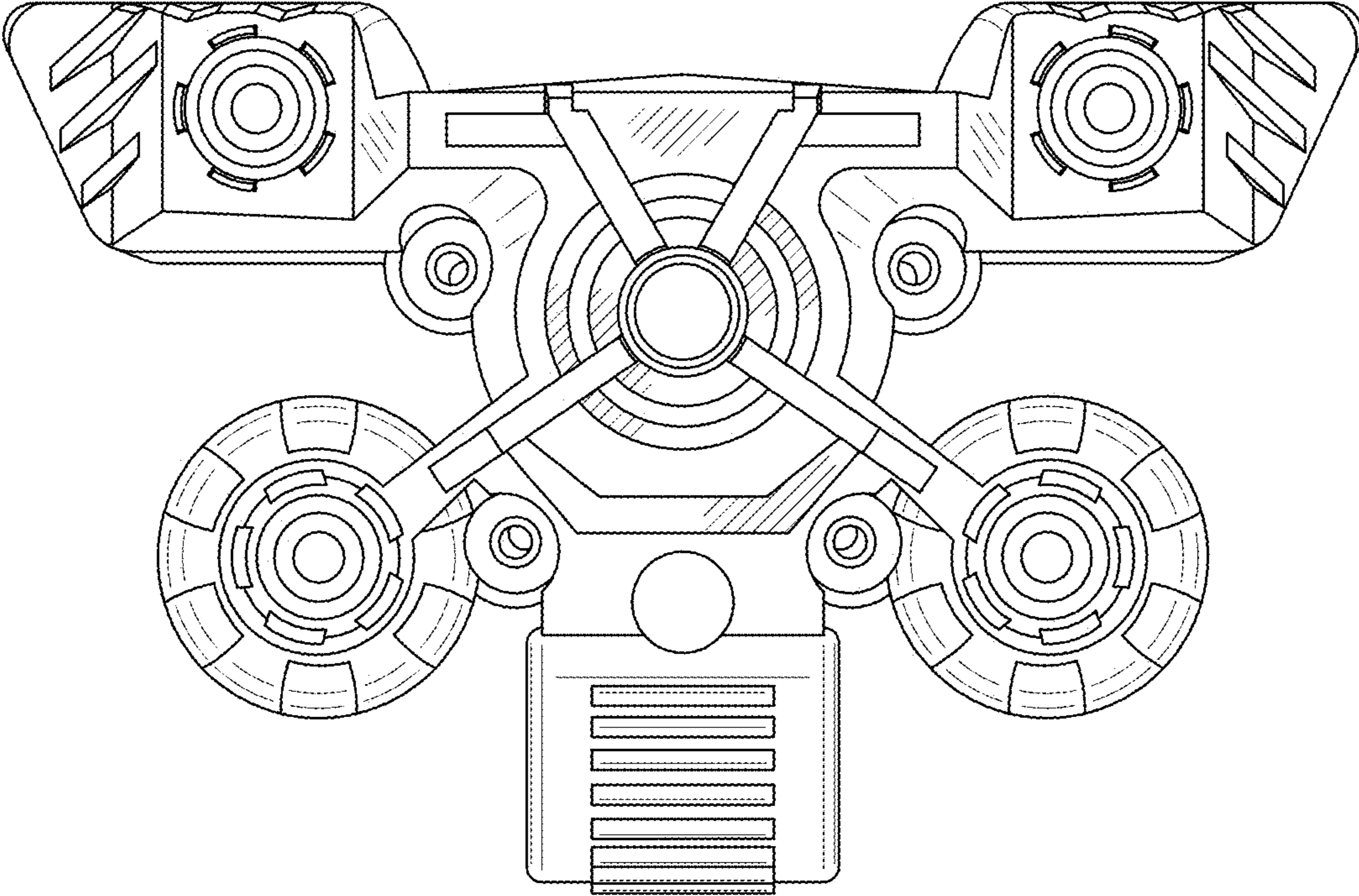


FIG. 2

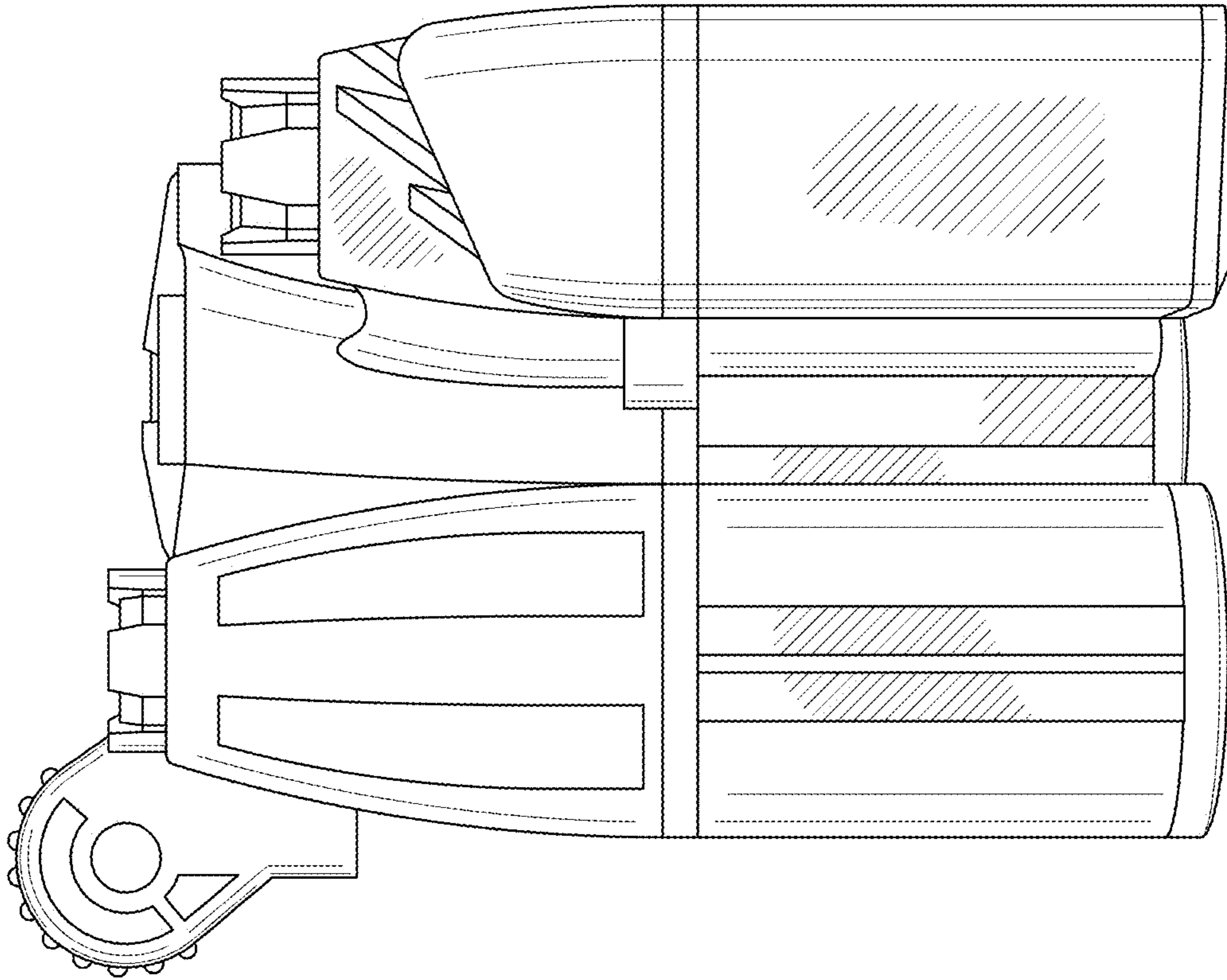


FIG. 3

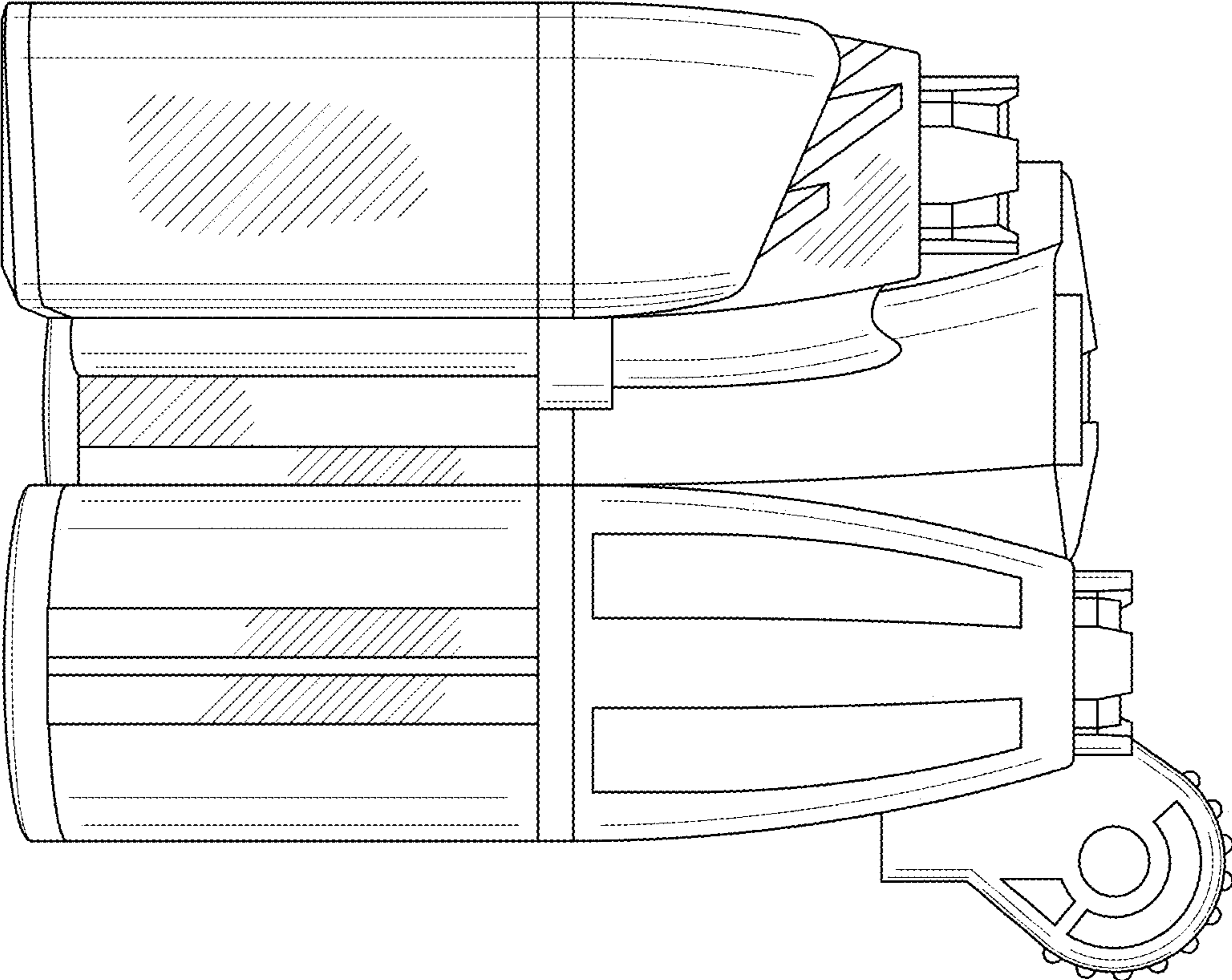


FIG. 4

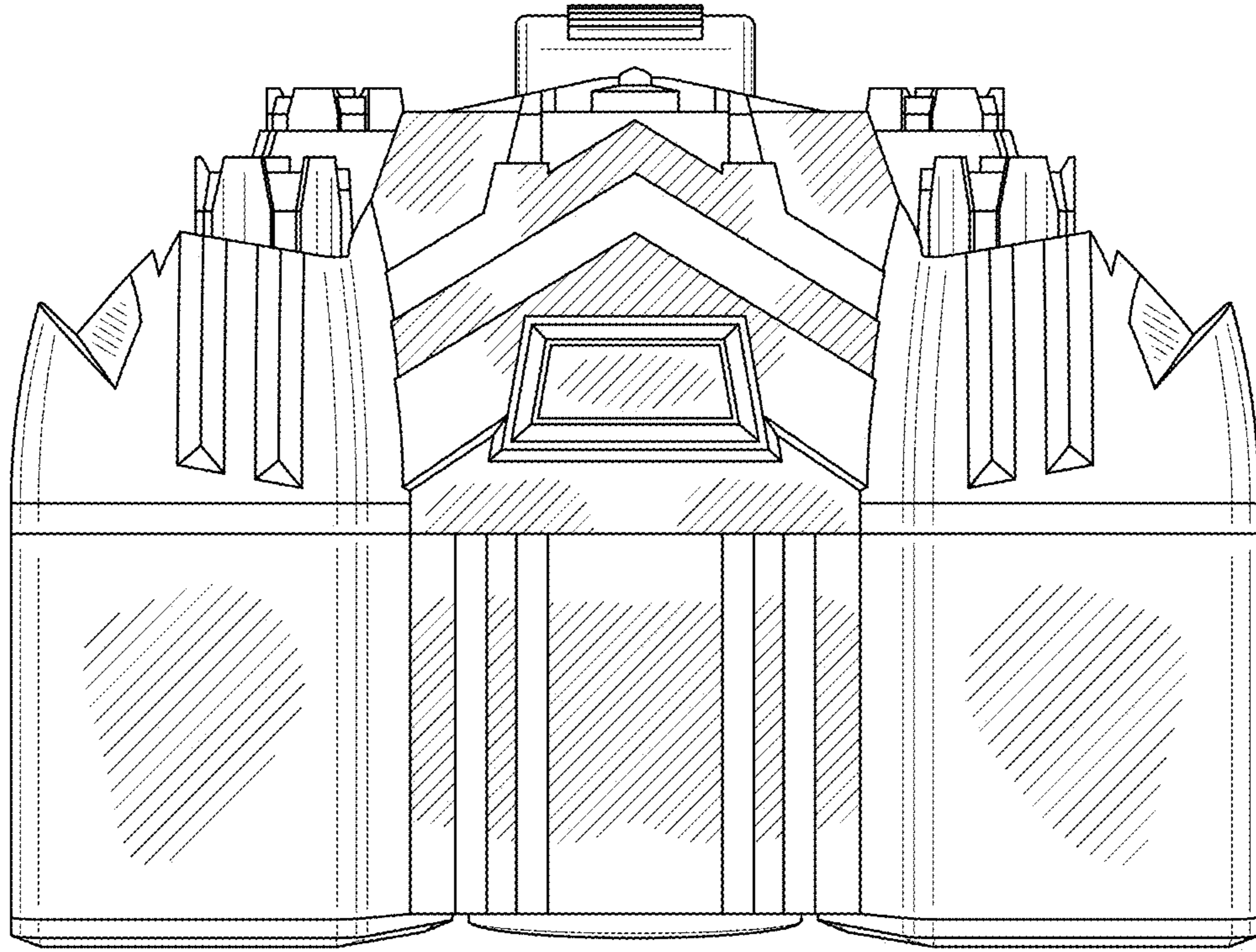


FIG. 5

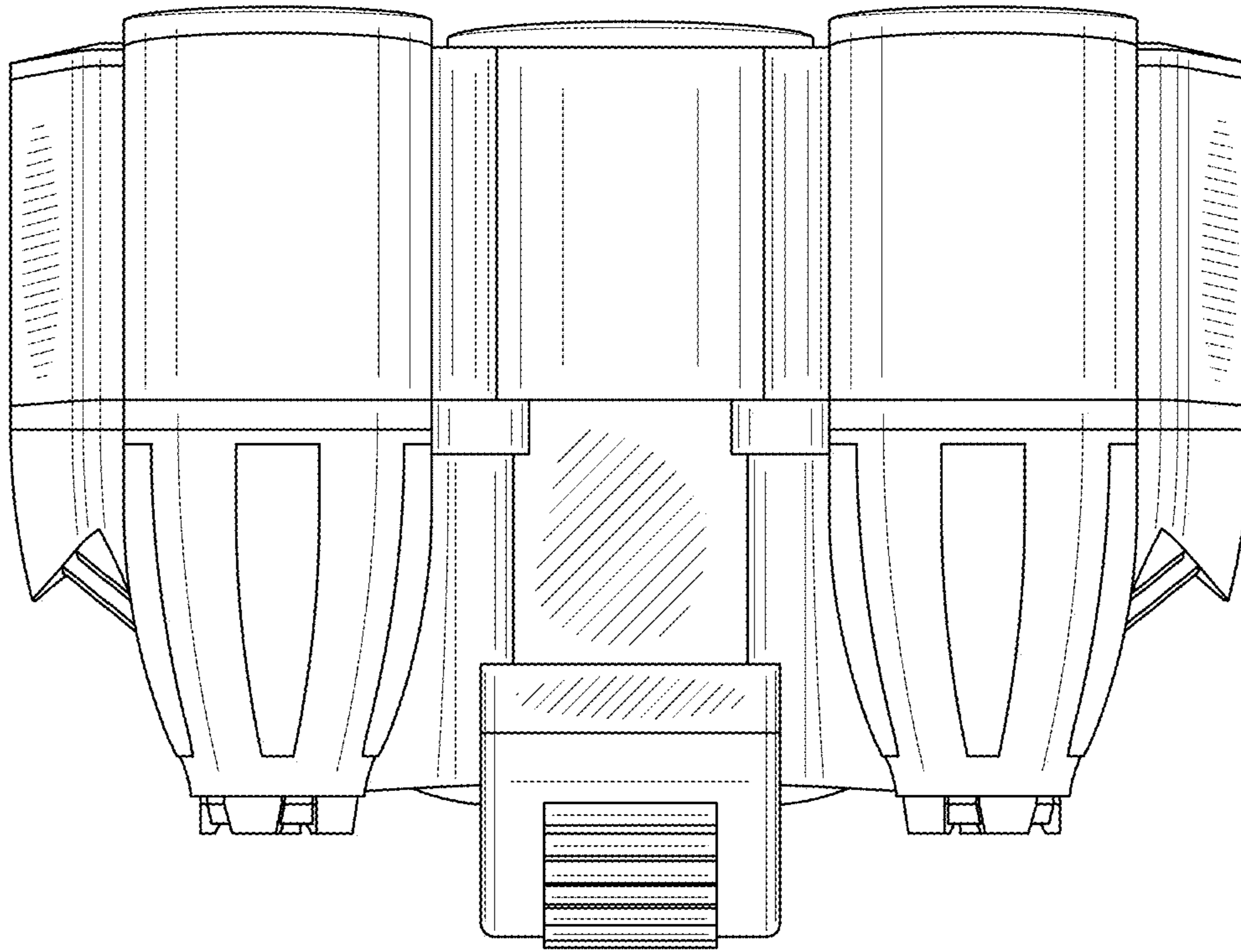


FIG. 6

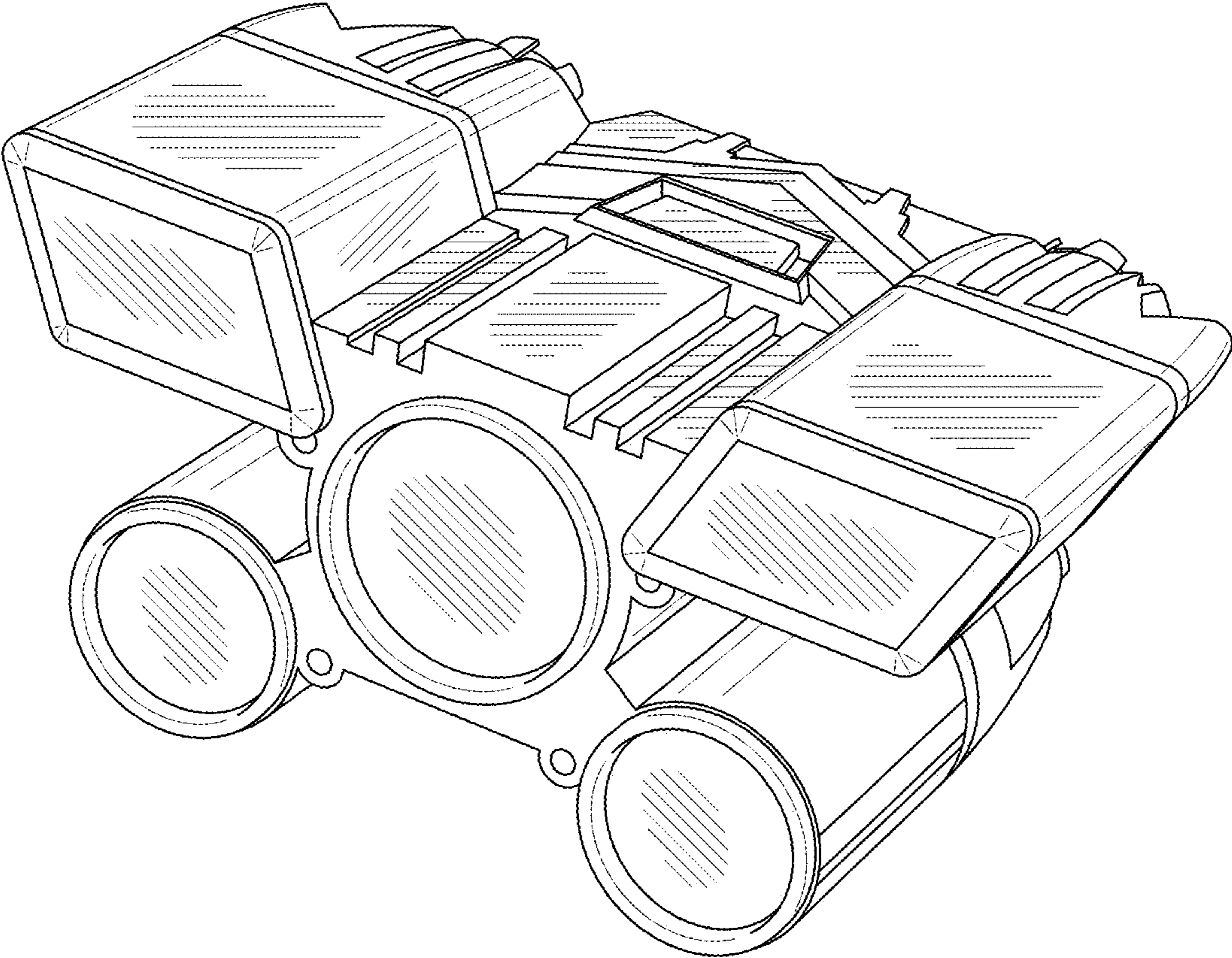


FIG. 7

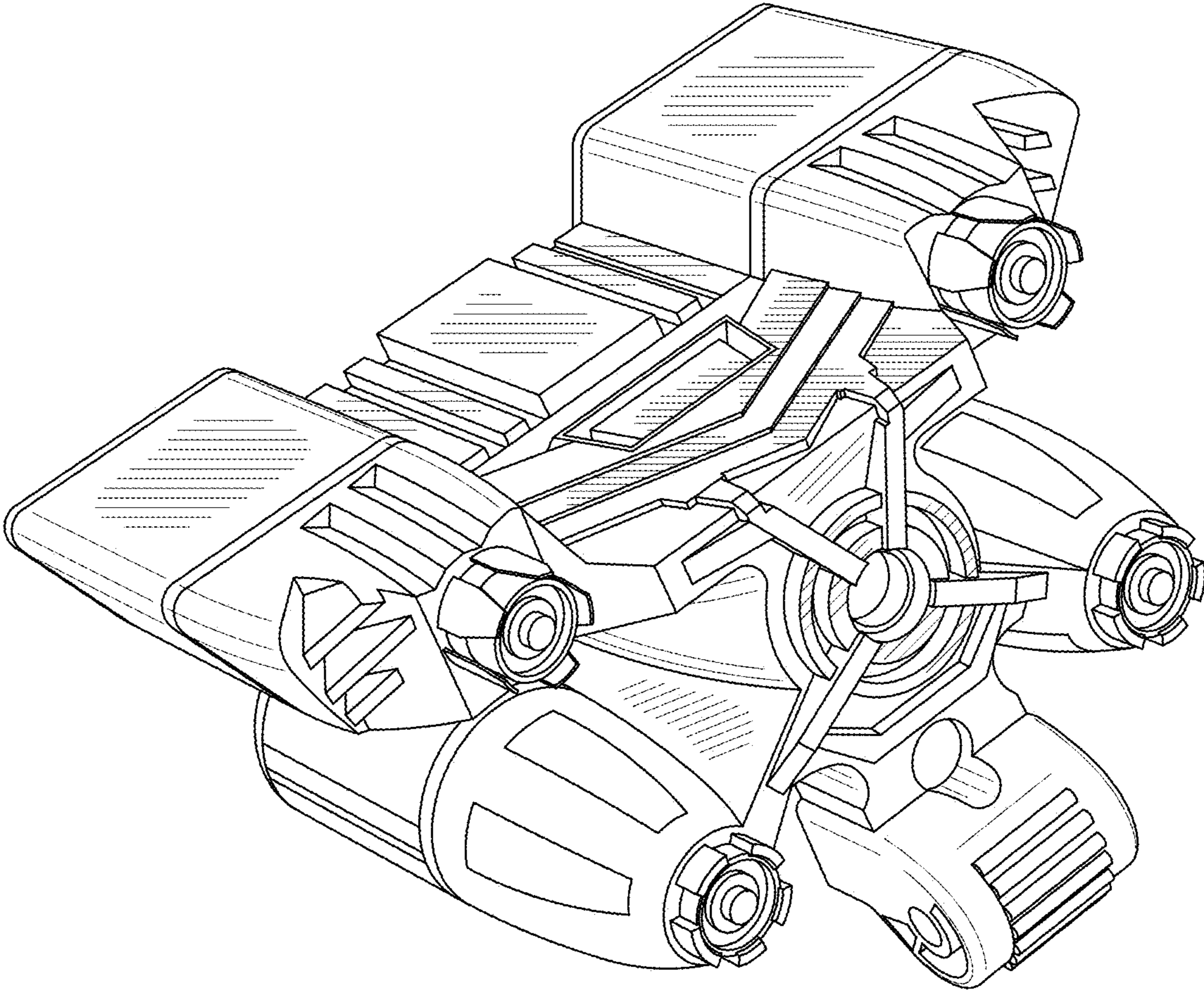


FIG. 8