

US00D961823S

(12) **United States Design Patent** (10) **Patent No.:** **US D961,823 S**  
**Yang et al.** (45) **Date of Patent:** **\*\* Aug. 23, 2022**

(54) **WORK LIGHT**

OTHER PUBLICATIONS

(71) Applicant: **Southwire Company, LLC**, Carrollton, GA (US)

Home Depot | Product | Wobblelight Jr. 5000 Lumen LED Job Site Light, posted on Apr. 5, 2018, © 2021 Home Depot International, Inc. [online], [site visited Sep. 30, 2021], Available from Internet, <URL: <https://www.homedepot.ca/product/wobblelight-jr-5000-lumen-led-job-site-light/1001386823/>>.\*

(72) Inventors: **Chaobin Yang**, Ningbo (CN); **Qunzhu Wang**, Zhengzhou (CN); **Robert Sharpe**, Nottingham (GB); **Bin Xu**, Shanghai (CN); **Yiming Tang**, Shenzhen (CN); **Dan Wu**, Long Grove, IL (US)

(Continued)

(73) Assignee: **Southwire Company, LLC**, Carrollton, GA (US)

*Primary Examiner* — Cary M Robinson

(74) *Attorney, Agent, or Firm* — Merchant & Gould P.C.

(\*\*) Term: **15 Years**

(57) **CLAIM**

We claim the ornamental design for a work light, as shown and described.

(21) Appl. No.: **29/740,325**

**DESCRIPTION**

(22) Filed: **Jul. 2, 2020**

FIG. 1 is a perspective view of a first embodiment of our design;

FIG. 2 is a front view of the embodiment shown in FIG. 1; FIG. 3 is a right side view of the embodiment shown in FIG. 1, a left side view thereof being a mirror image of the right side view;

**Related U.S. Application Data**

(62) Division of application No. 29/648,816, filed on May 24, 2018, now abandoned.

(51) **LOC (13) Cl.** ..... **26-02**

(52) **U.S. Cl.**  
USPC ..... **D26/37; D26/40; D26/41**

(58) **Field of Classification Search**  
USPC ..... D12/86, 90–92, 114, 163, 169, 171–173, D12/181, 190, 196, 197, 199, 400; D17/1, 222; D26/28–36

FIG. 4 is a front view of the embodiment shown in FIG. 1; FIG. 5 is a top view of the embodiment shown in FIG. 1; FIG. 6 is a bottom view of the embodiment shown in FIG. 1;

FIG. 7 is a sectional view taken along line 7-7 of FIG. 1, showing details of a handle component of the design;

FIG. 8 is a bottom perspective detail of the handle of the embodiment shown in FIG. 1;

FIG. 9 is a detail of a second embodiment of our design, the second embodiment being identical to the first embodiment except for details of the handle; and,

FIG. 10 is a bottom perspective detail of the handle and surrounding structure of the second embodiment of our design.

The dotted lines shown illustrate portions of the work light in which the design is embodied and form no part of the claimed design.

(Continued)

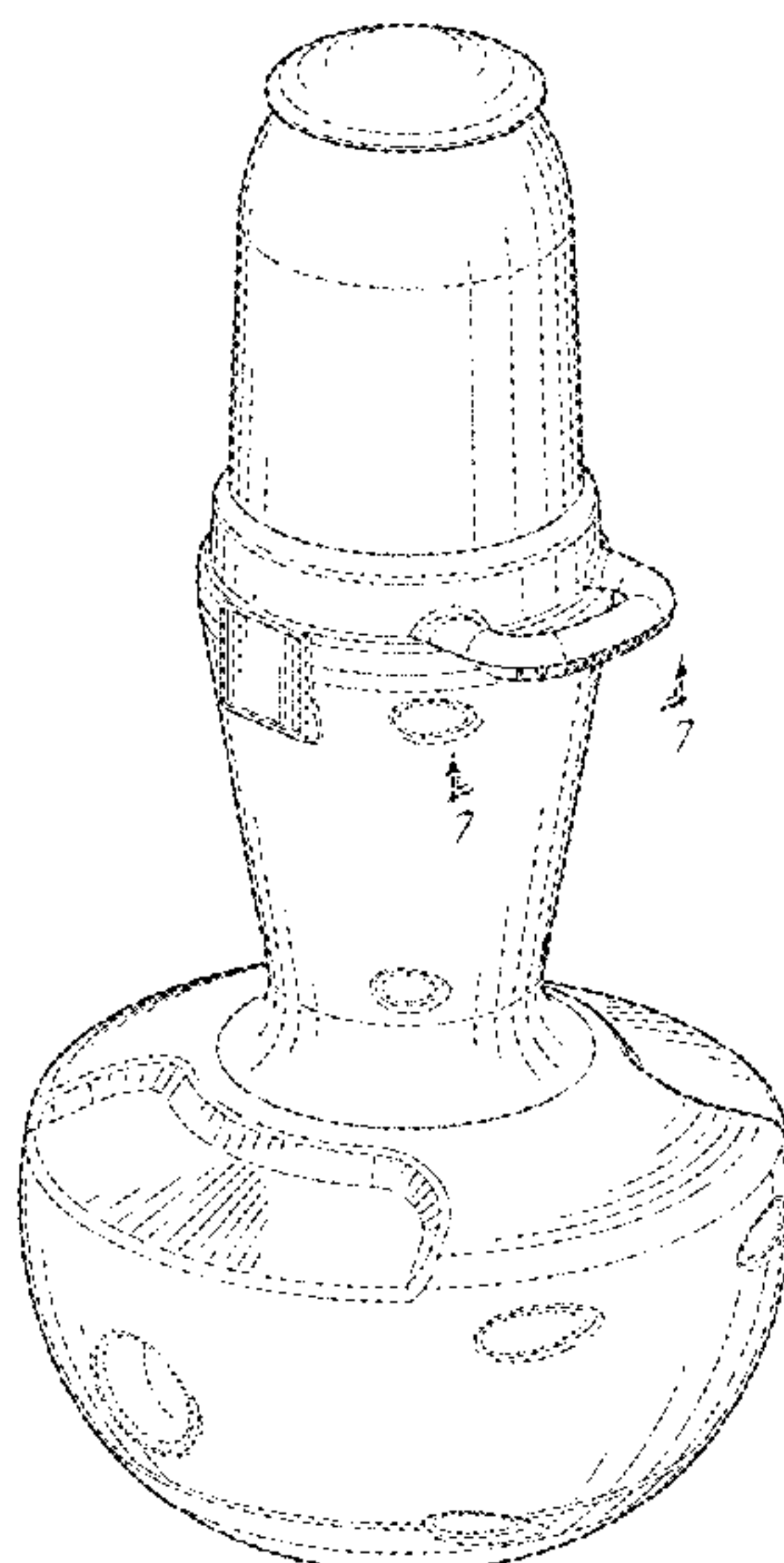
(56) **References Cited**

U.S. PATENT DOCUMENTS

D267,278 S 12/1982 Yau  
D441,108 S 4/2001 Poon

(Continued)

**1 Claim, 7 Drawing Sheets**



(58) **Field of Classification Search**

CPC .. B62J 6/02; B62J 6/00; B60Q 3/0279; B60Q 3/104; B60Q 3/10408; B60Q 3/10466; B60Q 3/12653; B60Q 3/128; F21S 48/00; F21S 48/10; F21S 48/115; F21S 48/225; F21S 48/1233; F21S 48/1266; F21S 48/1388; F21S 48/2268; F21V 21/04  
See application file for complete search history.

D785,839 S	5/2017	Anderson	
D790,098 S *	6/2017	Esarey .....	D26/40
D797,335 S	9/2017	Brown et al.	
D808,556 S	1/2018	Patel	
D815,770 S *	4/2018	Galipeau .....	D26/68
D833,048 S	11/2018	Chen	
D844,872 S *	4/2019	Krantz .....	D26/40
D904,655 S *	12/2020	Pontano .....	D26/37
D936,259 S *	11/2021	Qiu .....	D26/37
D947,430 S *	3/2022	Wu .....	D26/41
2003/0039118 A1	2/2003	Osiecki et al.	
2012/0281405 A1 *	11/2012	Roth .....	F21V 31/005 362/244
2013/0208454 A1 *	8/2013	Chen .....	F21S 9/037 362/183

(56) **References Cited**

U.S. PATENT DOCUMENTS

D485,928 S *	1/2004	Leung .....	D26/40
D496,482 S *	9/2004	Osiecki .....	D26/49
D515,717 S	2/2006	Cormier et al.	
D619,743 S	7/2010	Liu	
D620,162 S	7/2010	Liu	
D646,412 S	10/2011	Taiga	
D670,015 S	10/2012	Wu	
8,485,699 B2	7/2013	Reda, Jr.	
D738,028 S	9/2015	Wu	
D747,523 S *	1/2016	Salmon .....	D26/40

OTHER PUBLICATIONS

Probuilt Professional Lighting, LLC, image of a web page for Wobblelight 500W Halogen Work Light, image downloaded May 24, 2018, 1 page.

\* cited by examiner

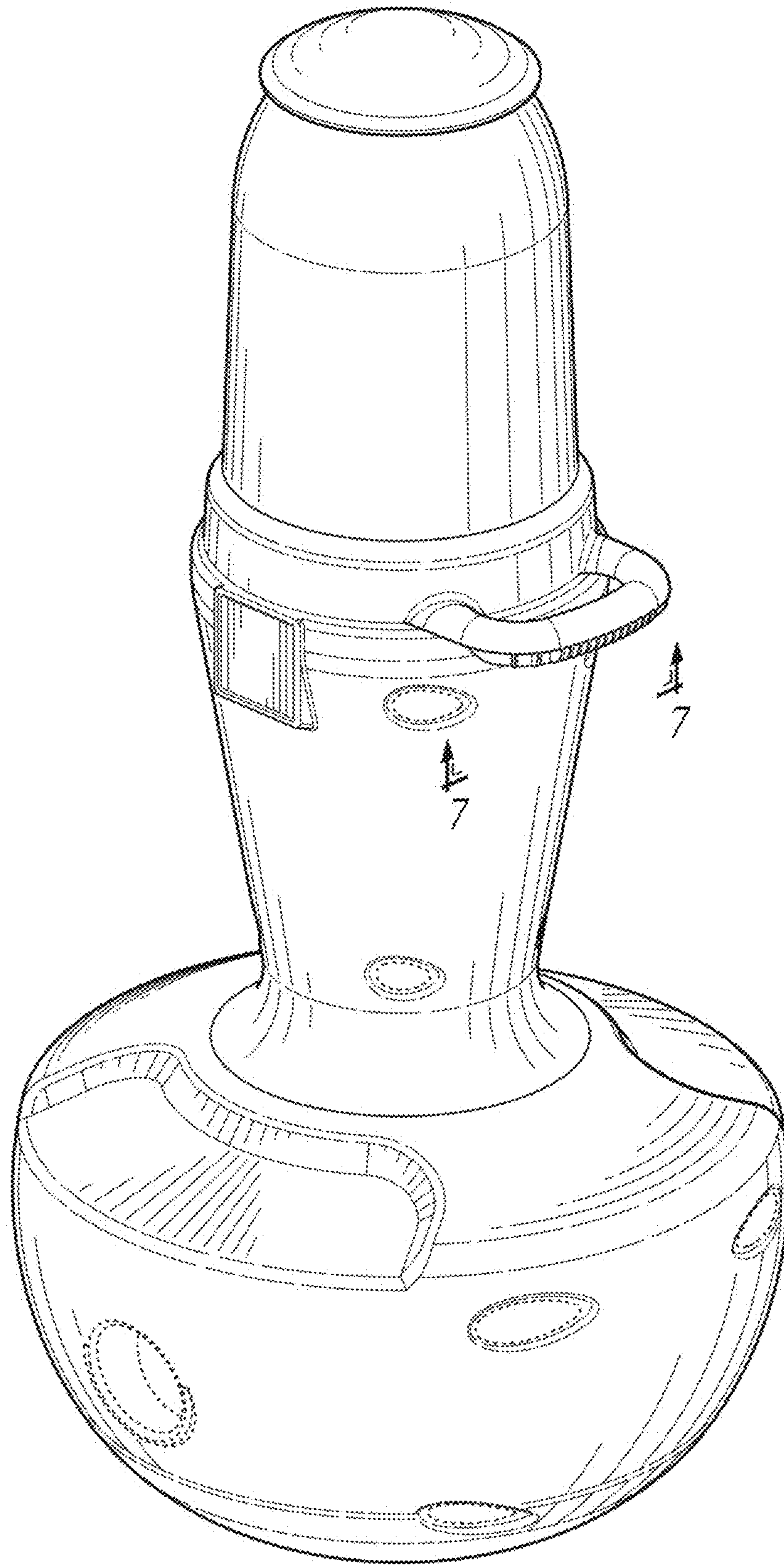


FIG. 1



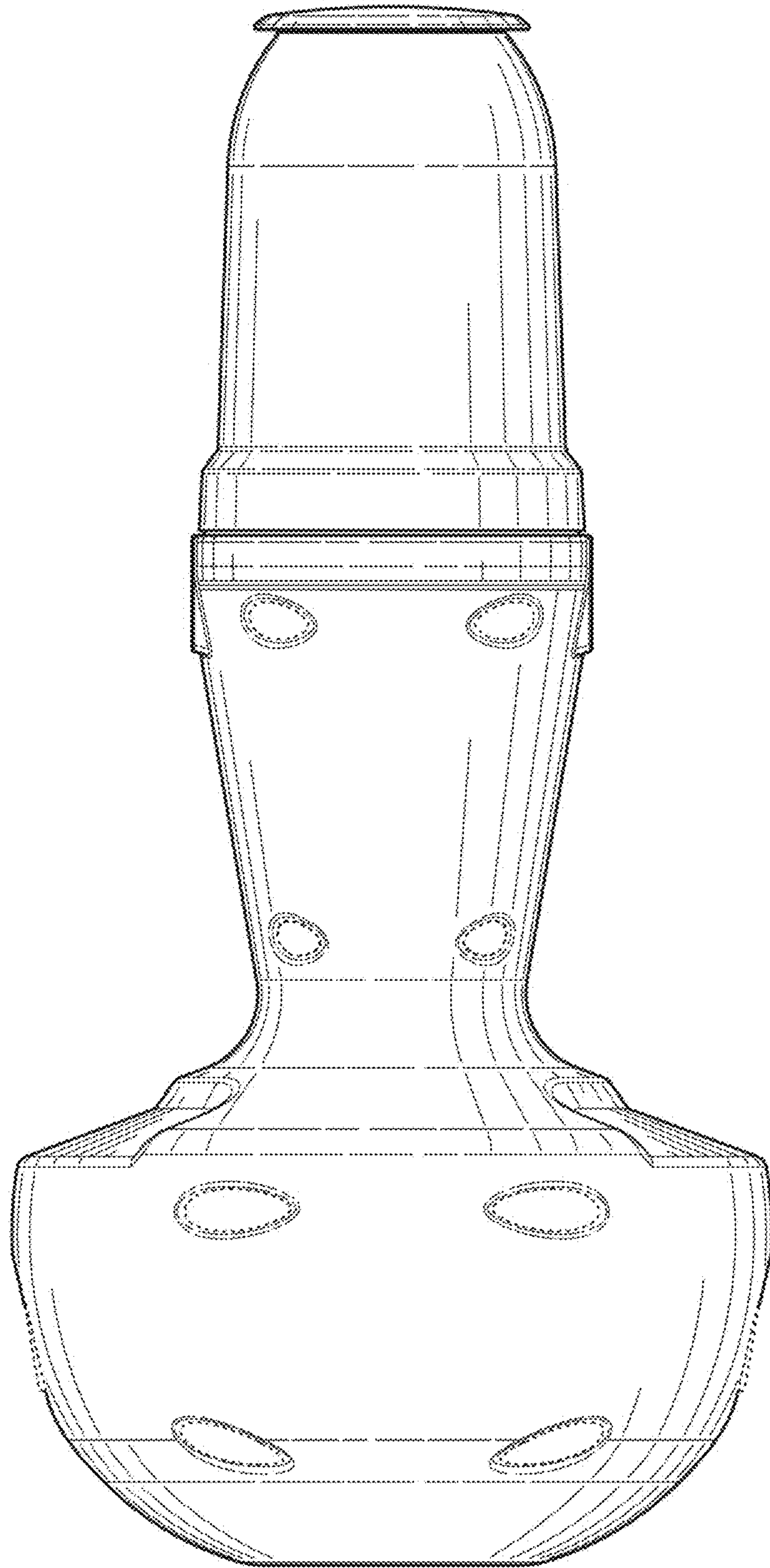


FIG. 2

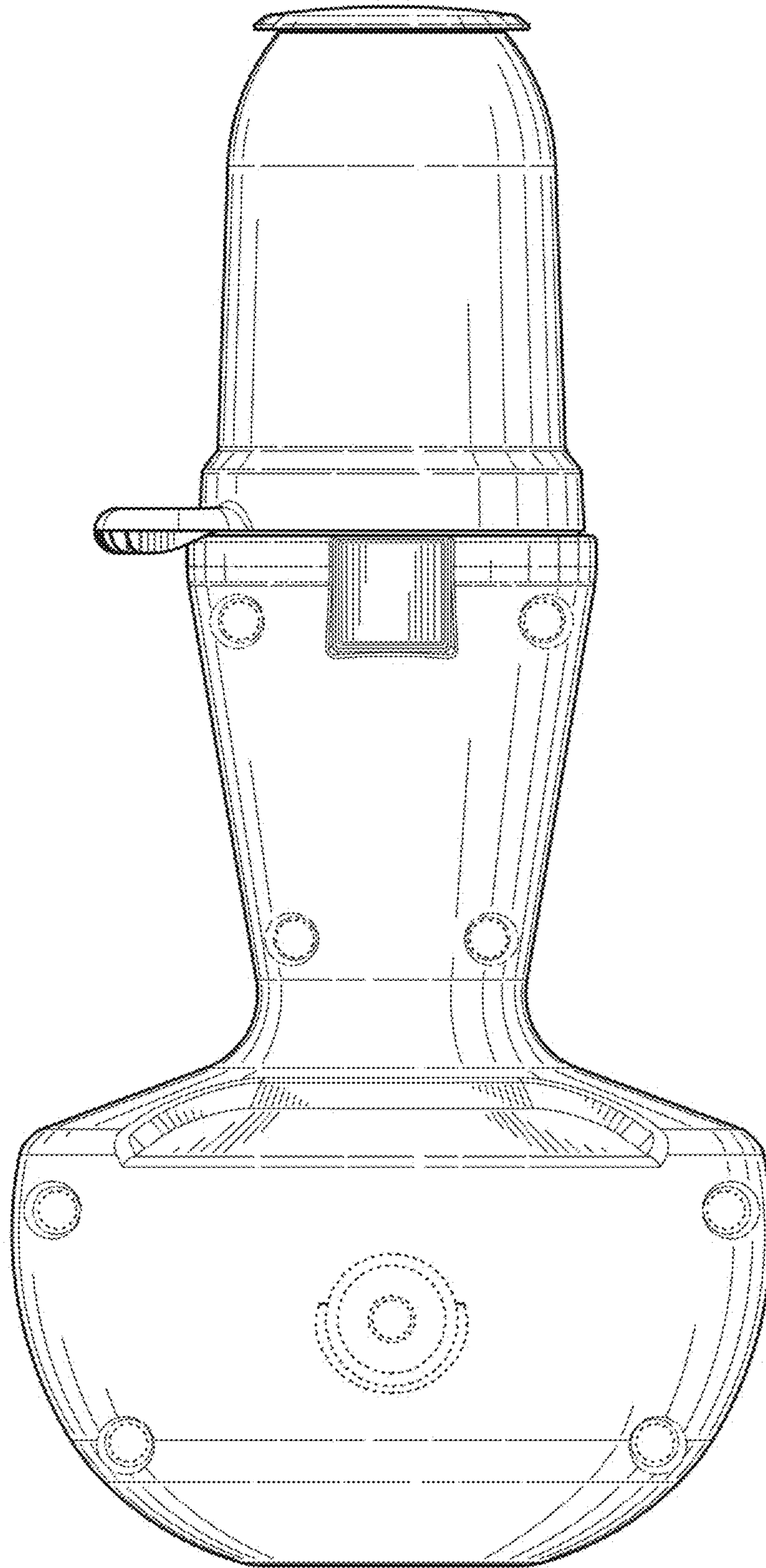


FIG. 3

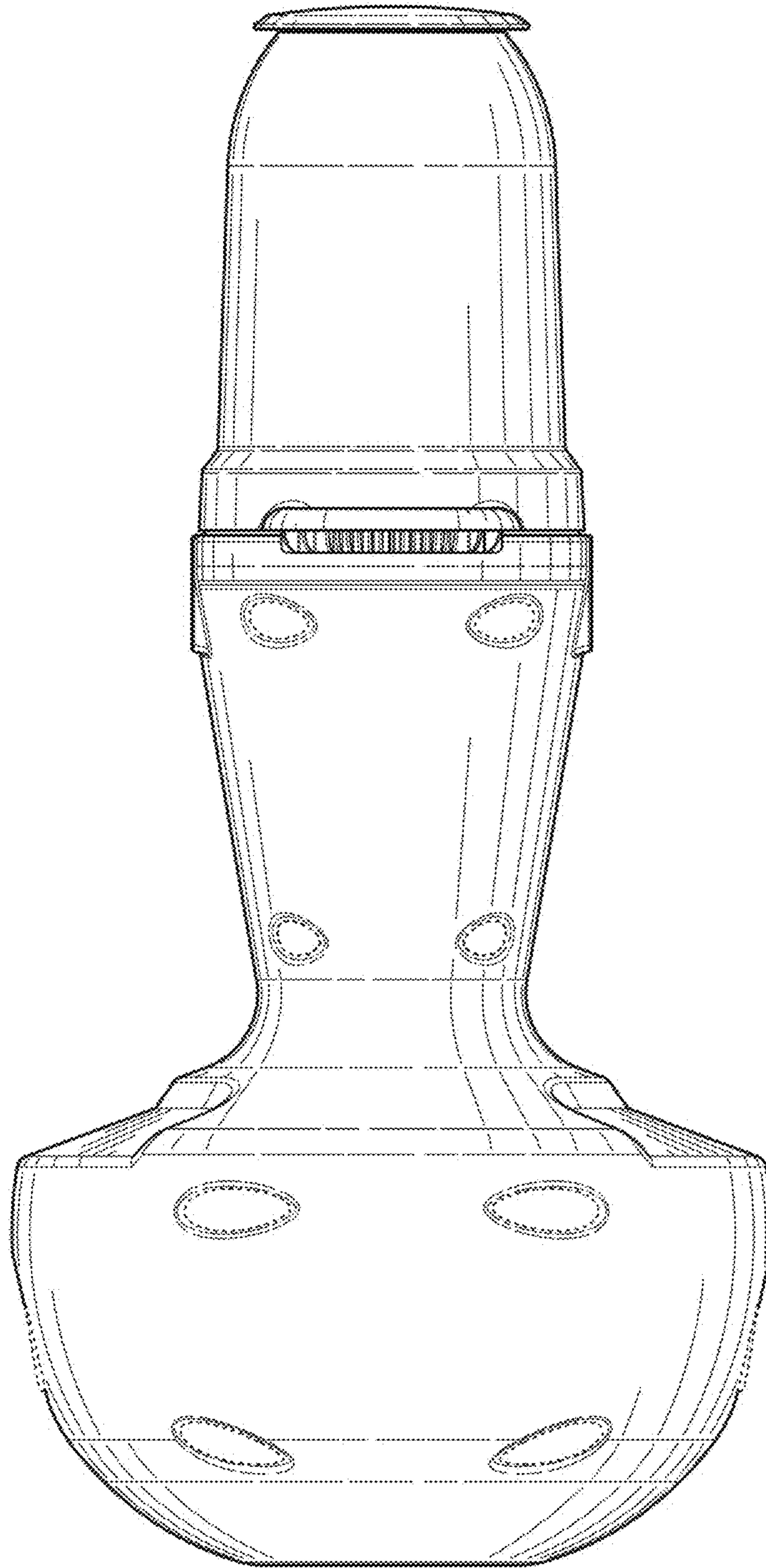


FIG. 4



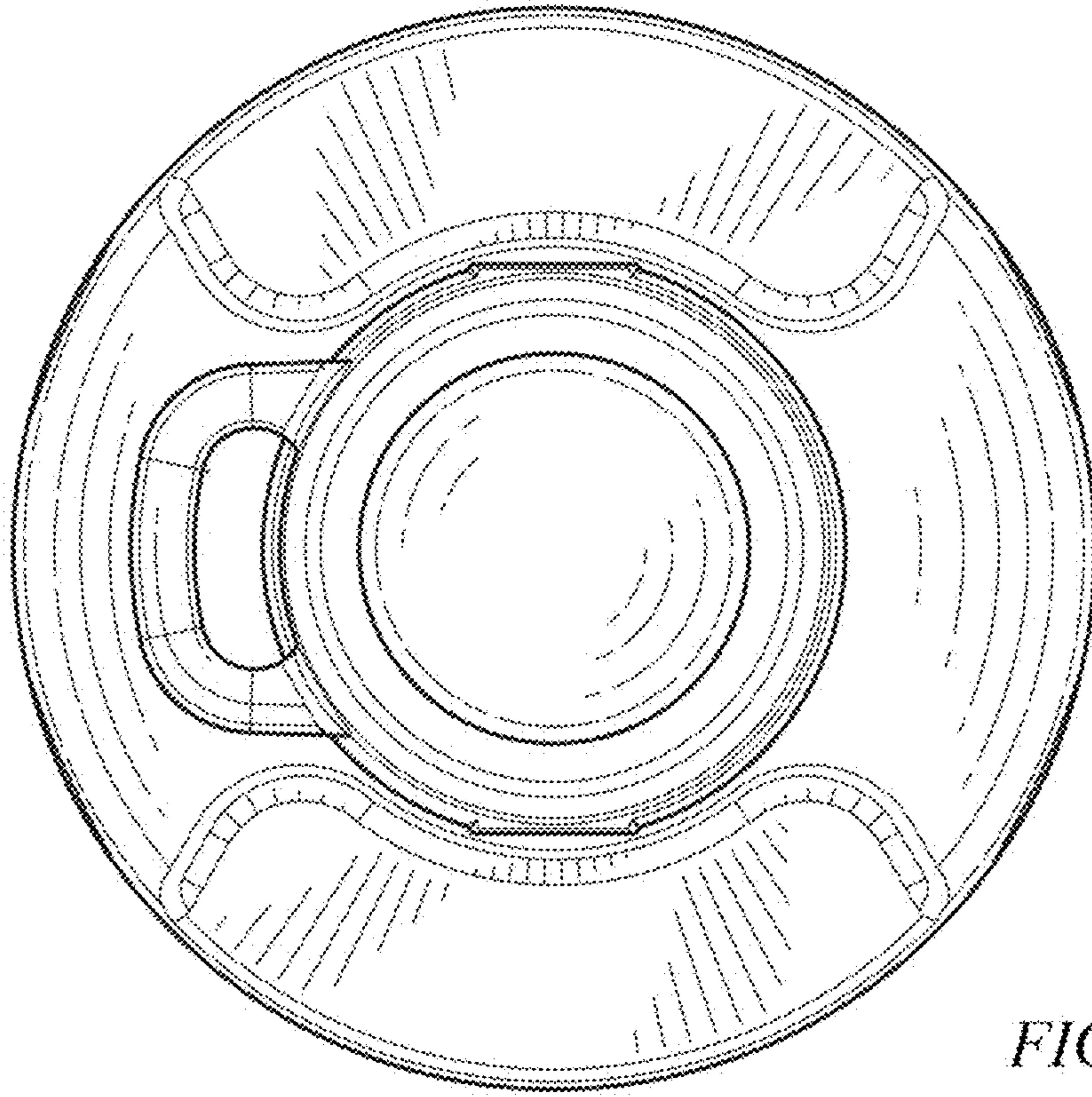


FIG. 5

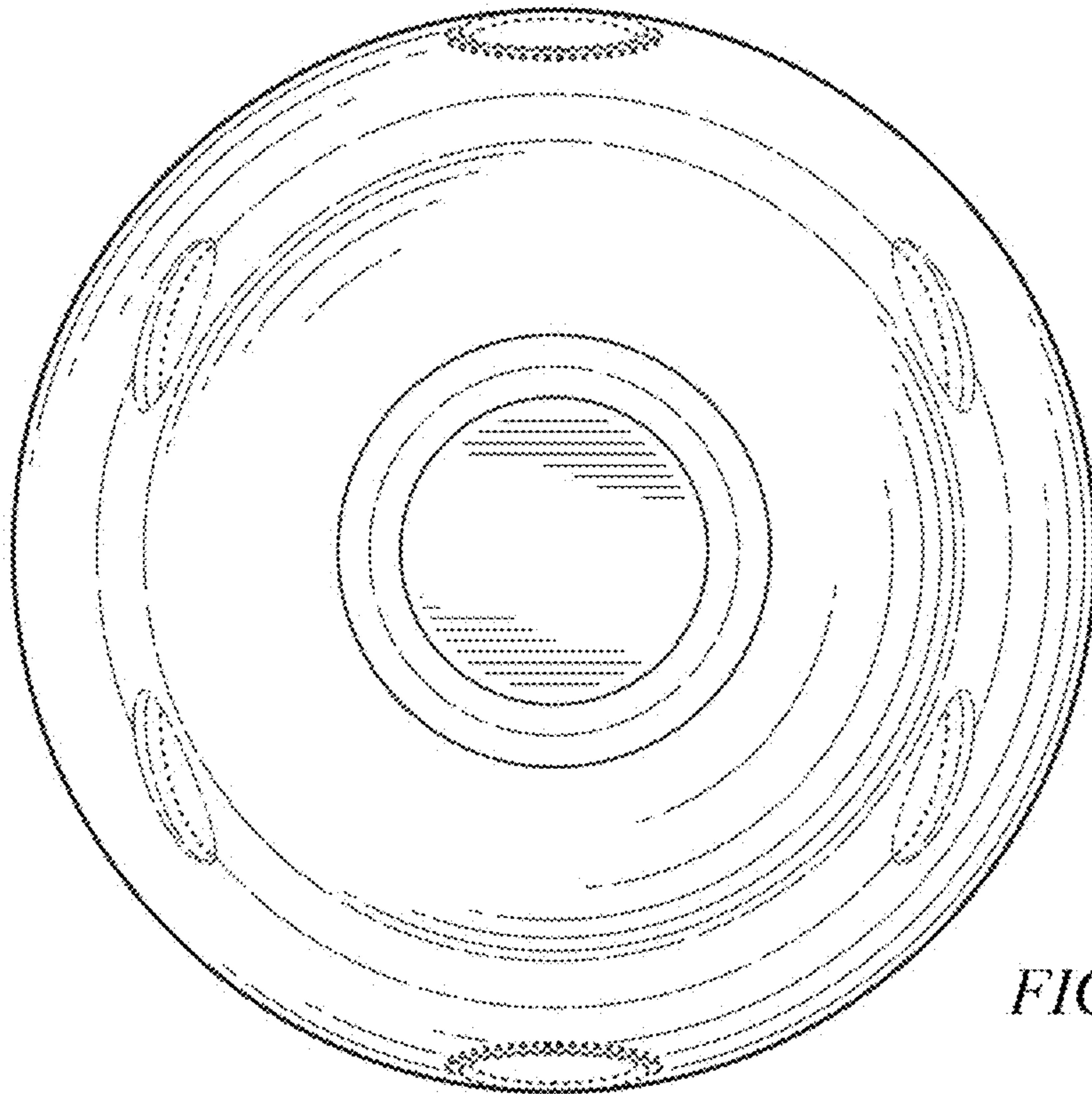


FIG. 6

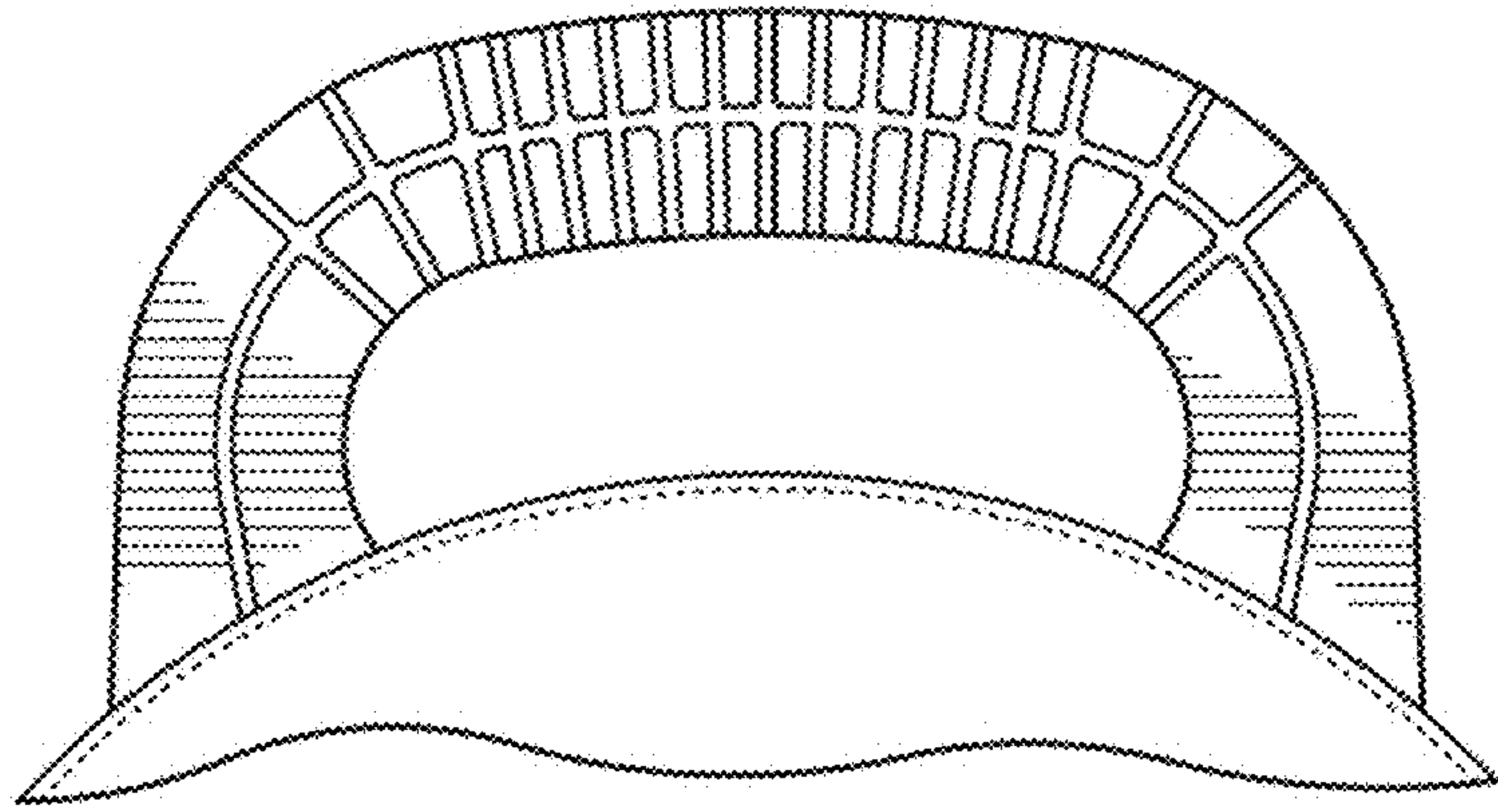


FIG. 7

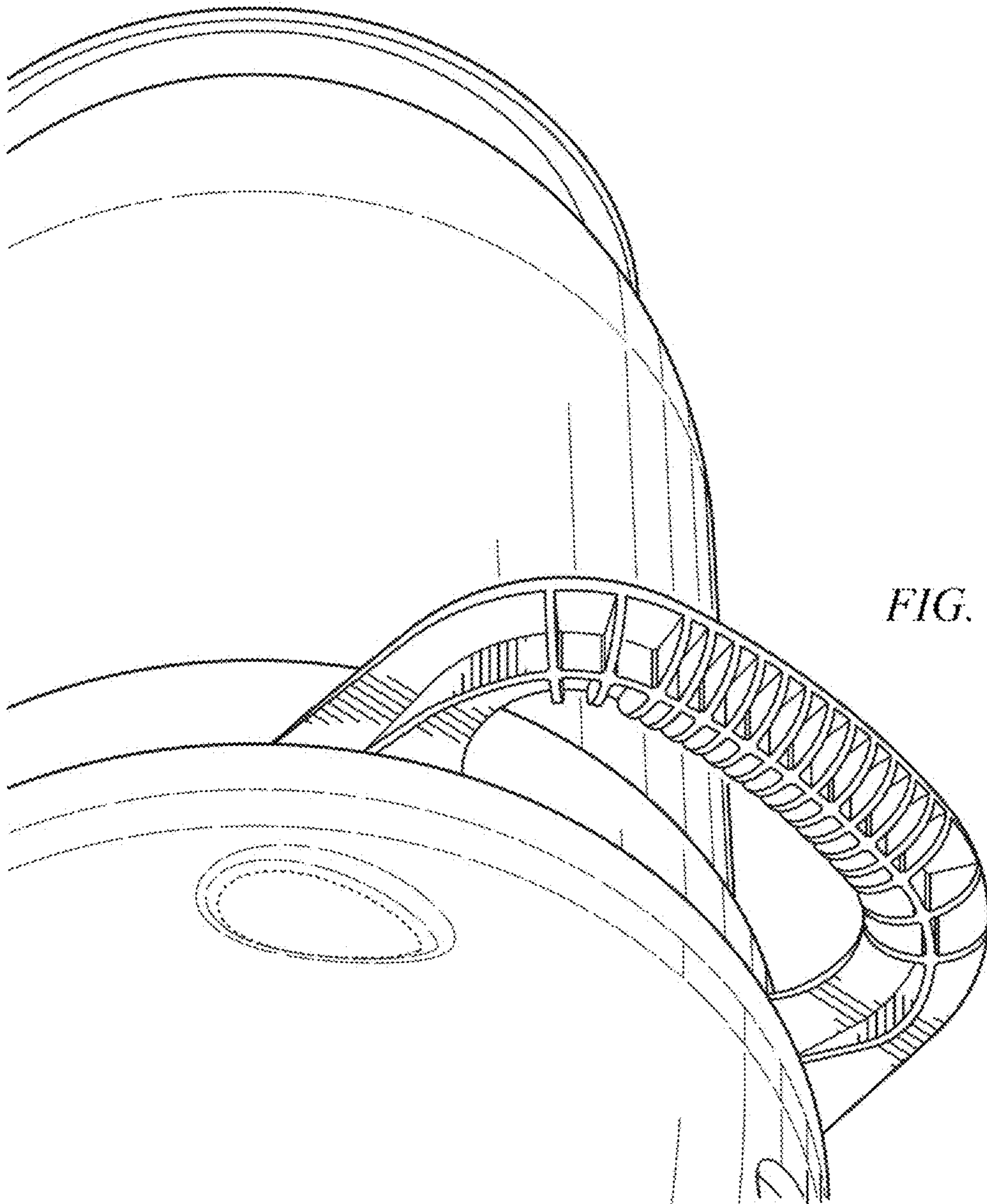


FIG. 8



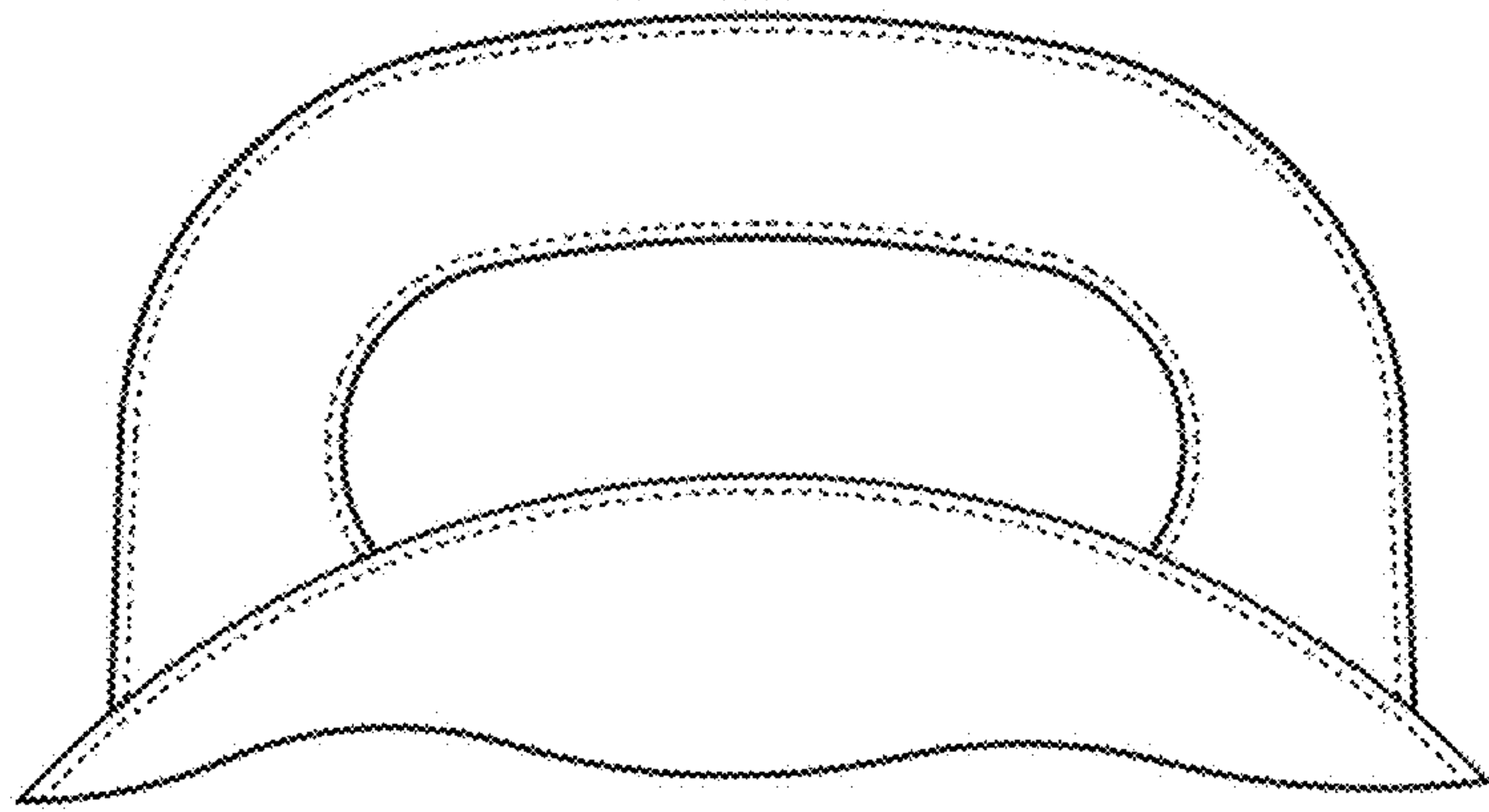


FIG. 9

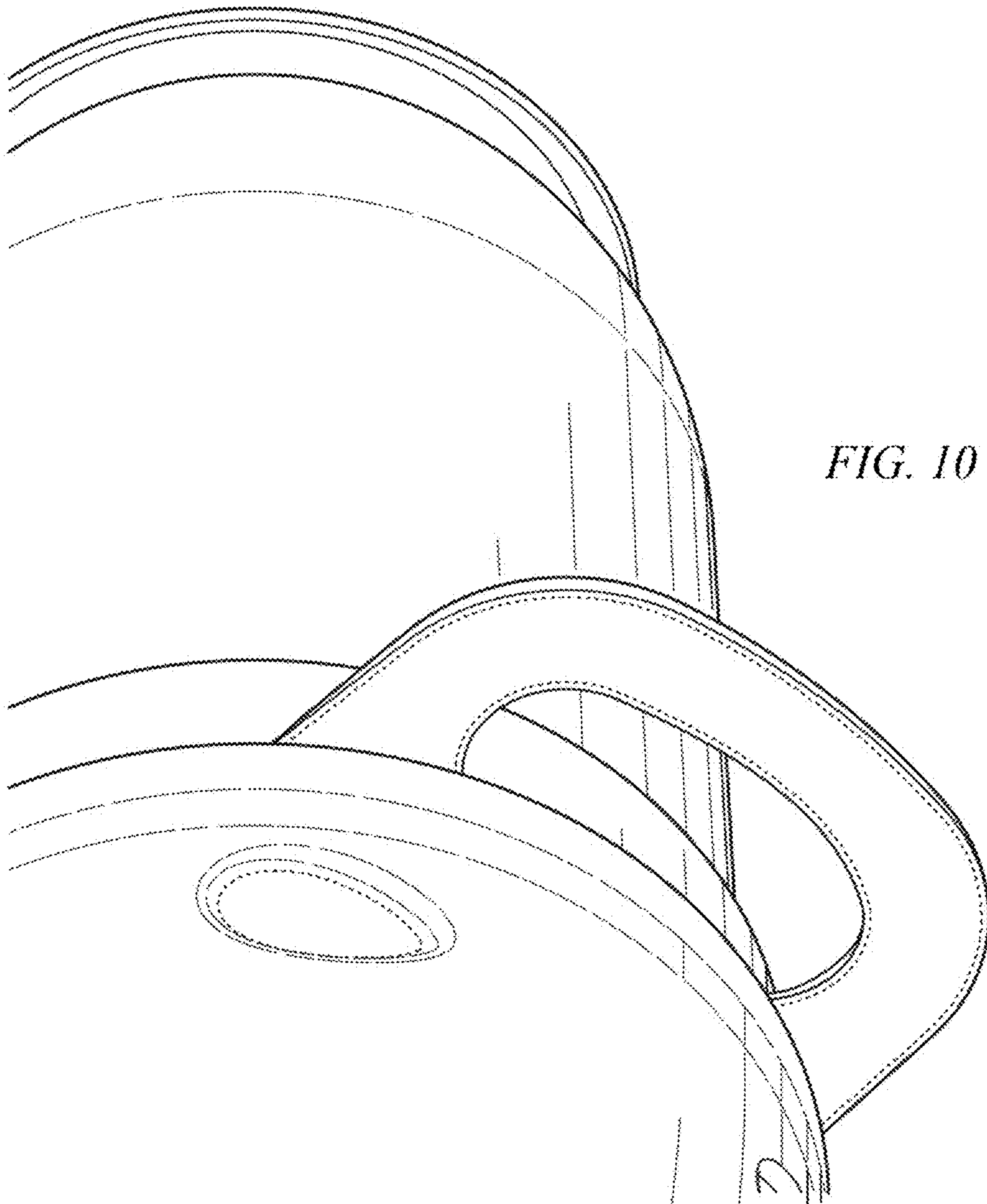


FIG. 10