



US00D961822S

(12) **United States Design Patent** (10) **Patent No.:** **US D961,822 S**
Jung et al. (45) **Date of Patent:** **** Aug. 23, 2022**

(54) **HEAD LAMP FOR AUTOMOBILES**

D895,866 S * 9/2020 Jeong D26/28
D921,240 S * 6/2021 He D26/28
D921,247 S * 6/2021 Kim D26/28
D924,450 S * 7/2021 Fukunaga D26/28

(71) Applicants: **HYUNDAI MOTOR COMPANY**,
Seoul (KR); **KIA MOTORS**
CORPORATION, Seoul (KR)

(Continued)

(72) Inventors: **Woo-Joo Jung**, Anyang-si (KR);
Ji-Heon Lee, Anyang-si (KR)

FOREIGN PATENT DOCUMENTS

WO RGN-D205543-001 * 2/2020

(73) Assignees: **Hyundai Motor Company**, Seoul
(KR); **Kia Motors Corporation**, Seoul
(KR)

OTHER PUBLICATIONS

2020_Hyundai Sonata (available online Oct. 25, 2019) Retrieved
from the internet Jan. 14, 2021 from URL: [https://www.
hyundaiofmorenovalley.com/blog/2020-hyundai-sonata-exterior-
colors/](https://www.hyundaiofmorenovalley.com/blog/2020-hyundai-sonata-exterior-colors/).*

(**) Term: **15 Years**

Primary Examiner — Richard Kearney

(21) Appl. No.: **35/508,512**

(74) *Attorney, Agent, or Firm* — Fox Rothschild LLP

(22) Filed: **May 15, 2019**

(80) **Hague Agreement Data**

Int. Filing Date: **May 15, 2019**

Int. Reg. No.: **DM/205543**

Int. Reg. Date: **May 15, 2019**

Int. Reg. Pub. Date: **Feb. 7, 2020**

(57) **CLAIM**

The ornamental design for a head lamp for automobiles, as
shown and described.

(51) **LOC (13) Cl.** **26-06**

(52) **U.S. Cl.**

USPC **D26/28**

(58) **Field of Classification Search**

USPC D26/28, 29, 35, 36

CPC B60Q 1/30; B60Q 1/2607; B60Q 1/2619;

B60Q 1/2696; F21S 41/00; F21S 41/20;

F21S 41/30; F21S 43/14; F21S 43/15;

F21S 43/20

See application file for complete search history.

DESCRIPTION

1. Head lamp for automobiles

1.1 : Perspective

1.2 : Front

1.3 : Back

1.4 : Left

1.5 : Right

1.6 : Top

1.7 : Bottom

The four lens-like elements of the lamp shown in solid black
in reproduction **1.2** form no part of the claimed design.

1.1 is a perspective view of a head lamp for automobiles
showing our new design; **1.2** is a front elevation view
thereof; **1.3** is a rear elevation view thereof; **1.4** is a left side
elevation view thereof; **1.5** is a right side elevation view
thereof; **1.6** is a top plan view thereof; and **1.7** is a bottom
plan view thereof.

(Continued)

(56) **References Cited**

U.S. PATENT DOCUMENTS

D735,920 S * 8/2015 Honda D26/28

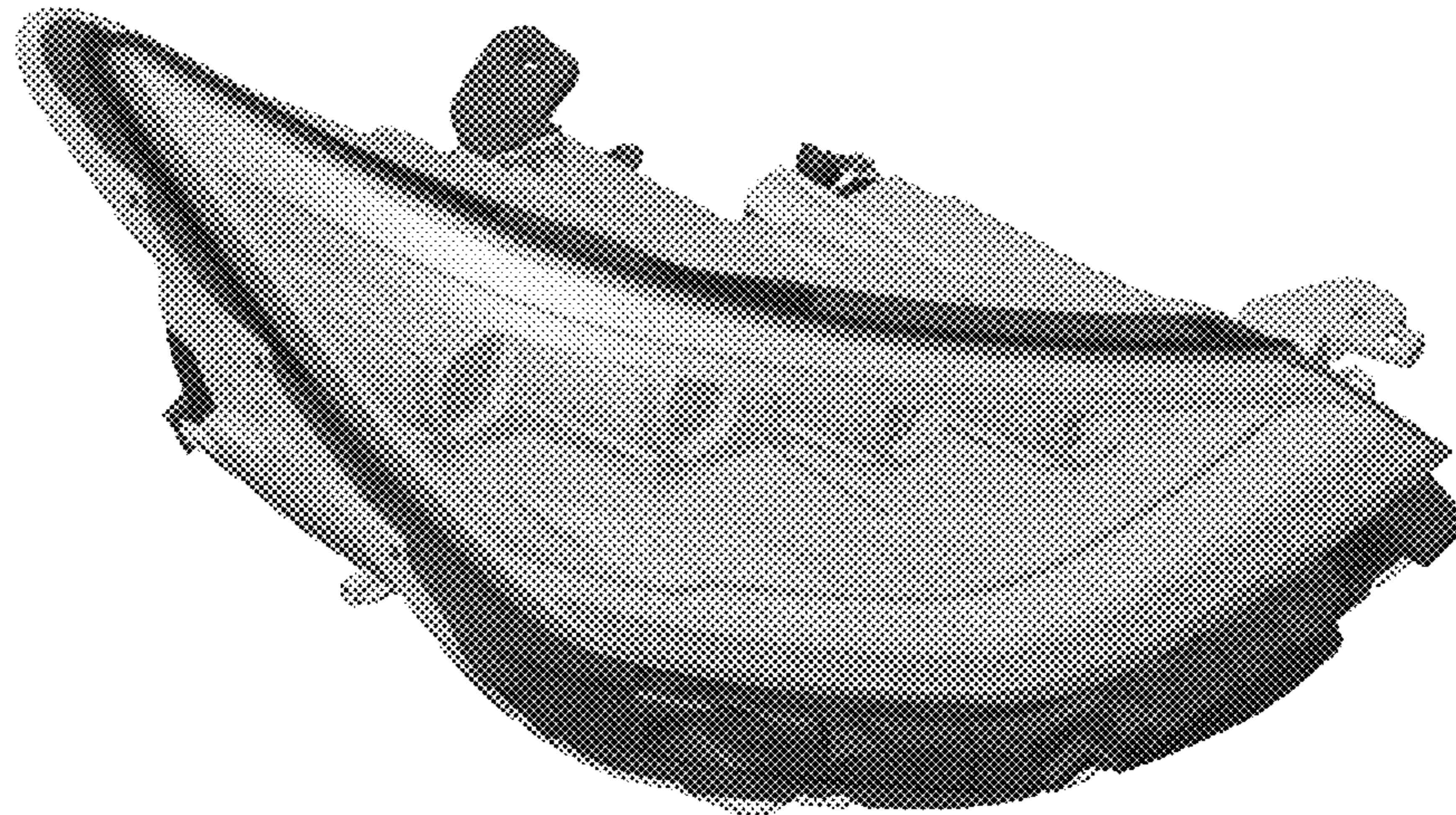
D819,850 S * 6/2018 Munakata D26/28

D869,701 S * 12/2019 Wu D26/28

D869,713 S * 12/2019 Shim D26/35

D870,328 S * 12/2019 Wu D26/28

D883,539 S * 5/2020 Yu D26/28



The broken lines and portions of the article seen within the broken lines form no part of the claimed design.

1 Claim, 7 Drawing Sheets

(56)

References Cited

U.S. PATENT DOCUMENTS

D925,795 S *	7/2021	Yang	D26/28
D930,863 S *	9/2021	Jung	D26/28
D940,929 S *	1/2022	Kwon	D26/28
D942,658 S *	2/2022	Ha	D26/28
2014/0192548 A1 *	7/2014	Kracker	F21S 41/148 362/538

* cited by examiner

FIG. 1.1



Figure 1.2

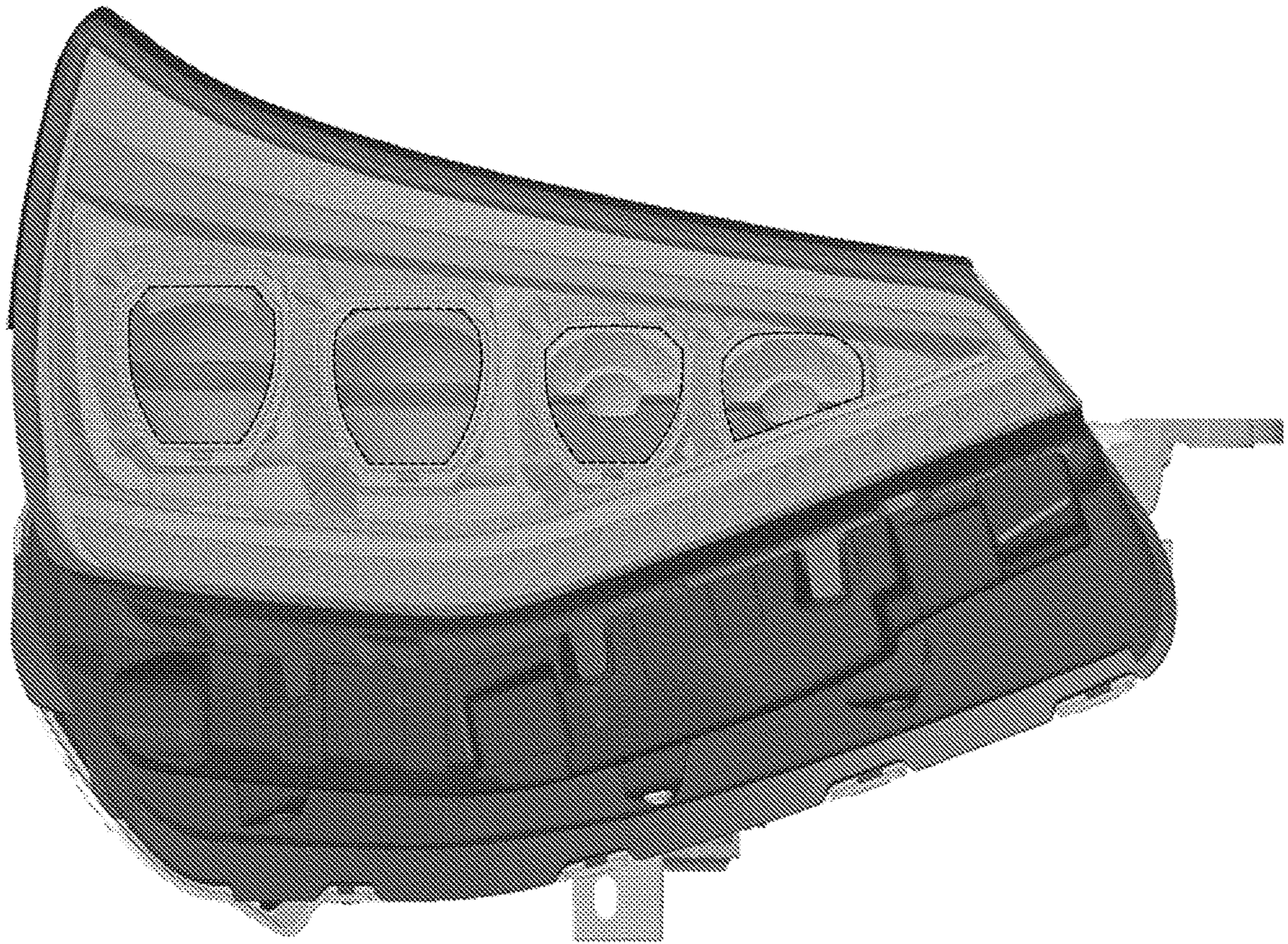


FIG. 1.3

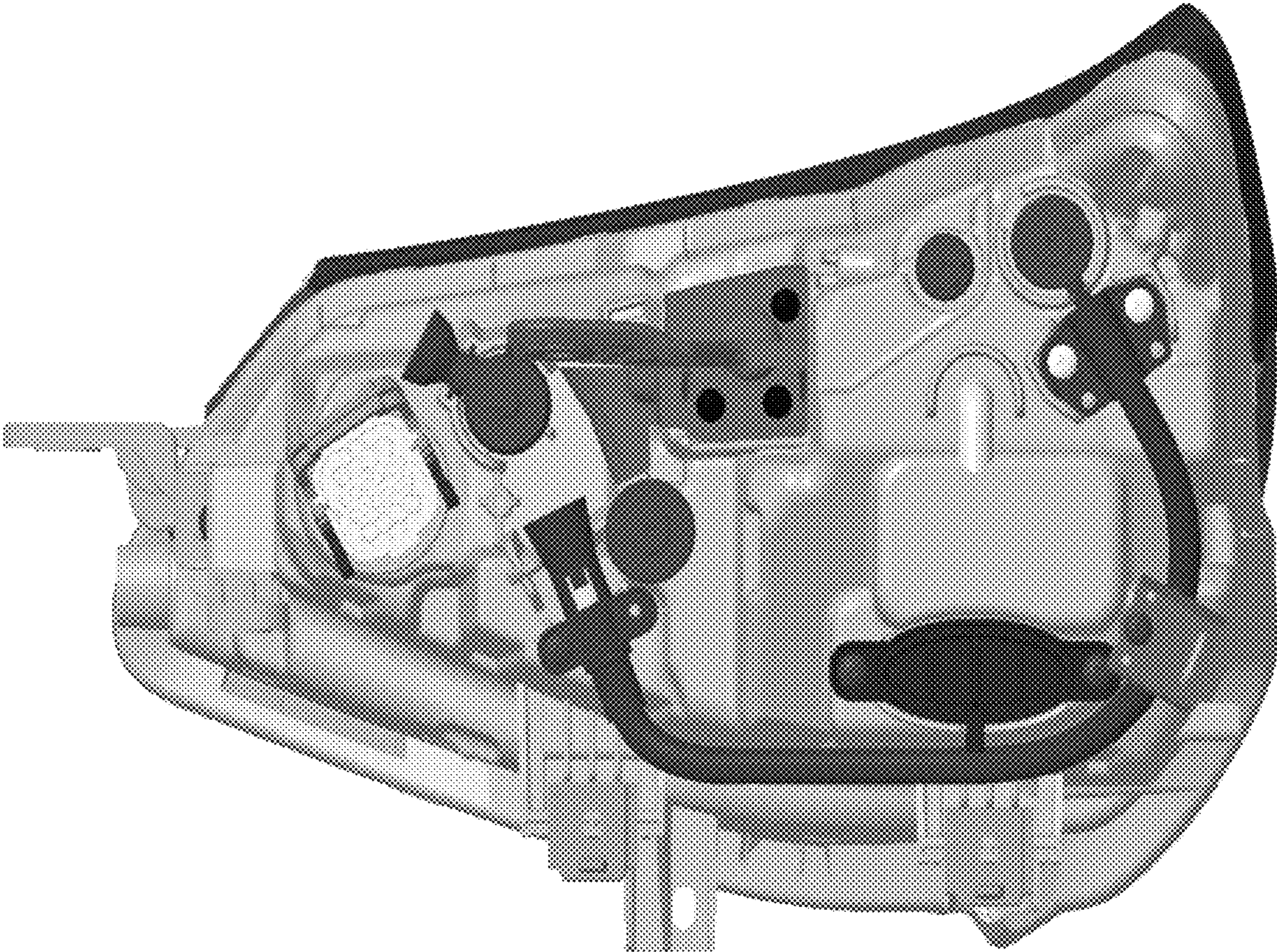


FIG. 1.4

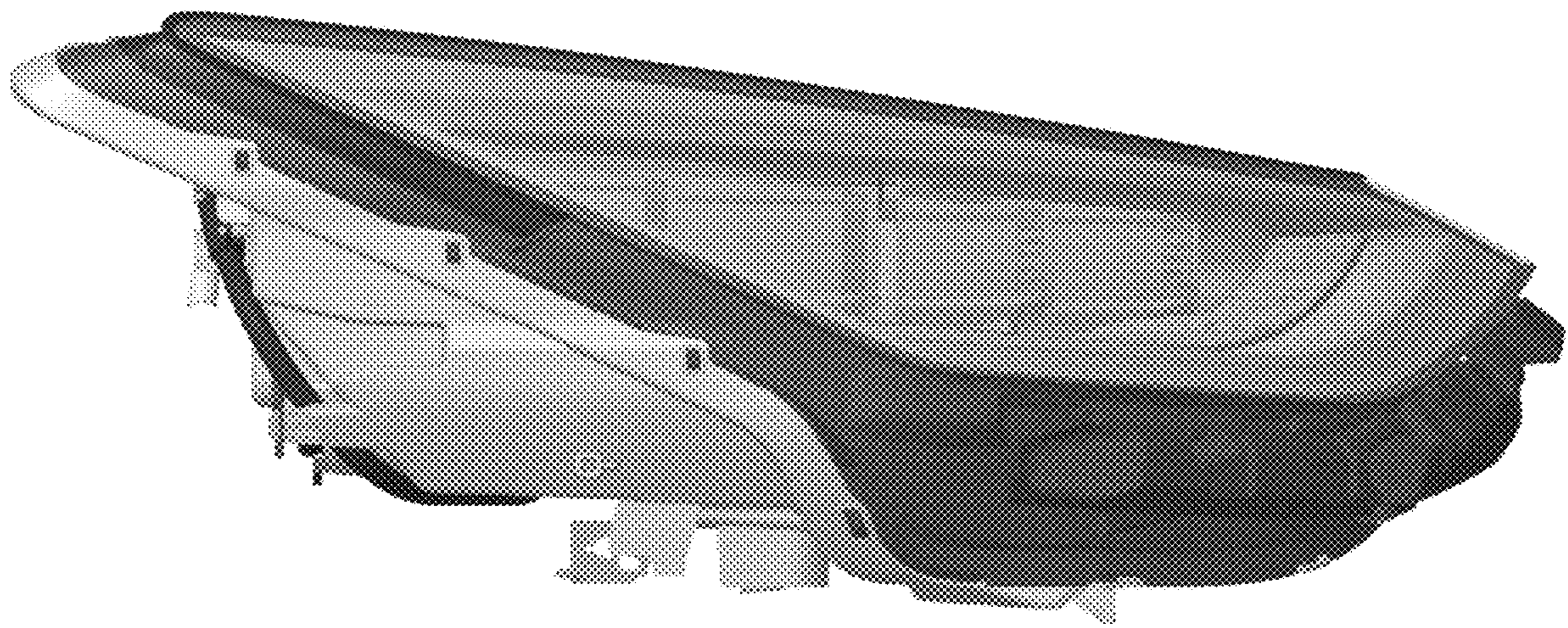


FIG. 1.5

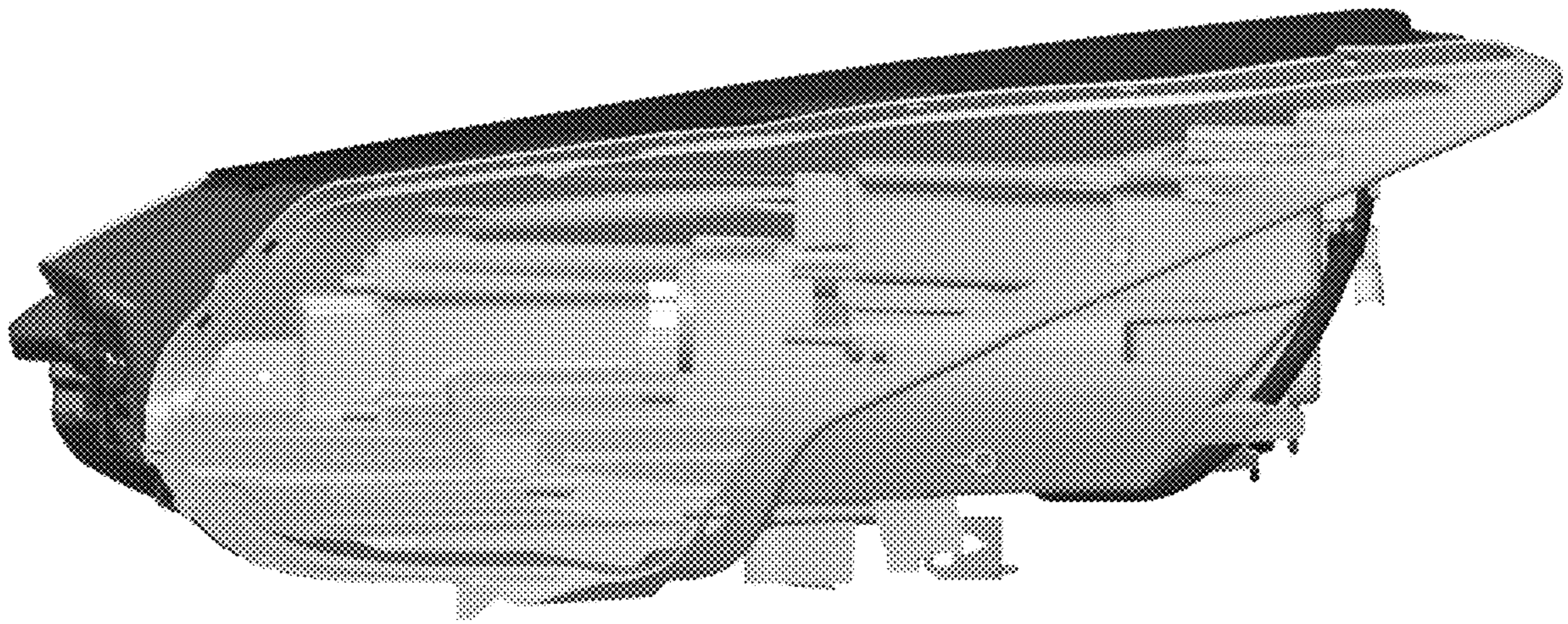


FIG. 1.6

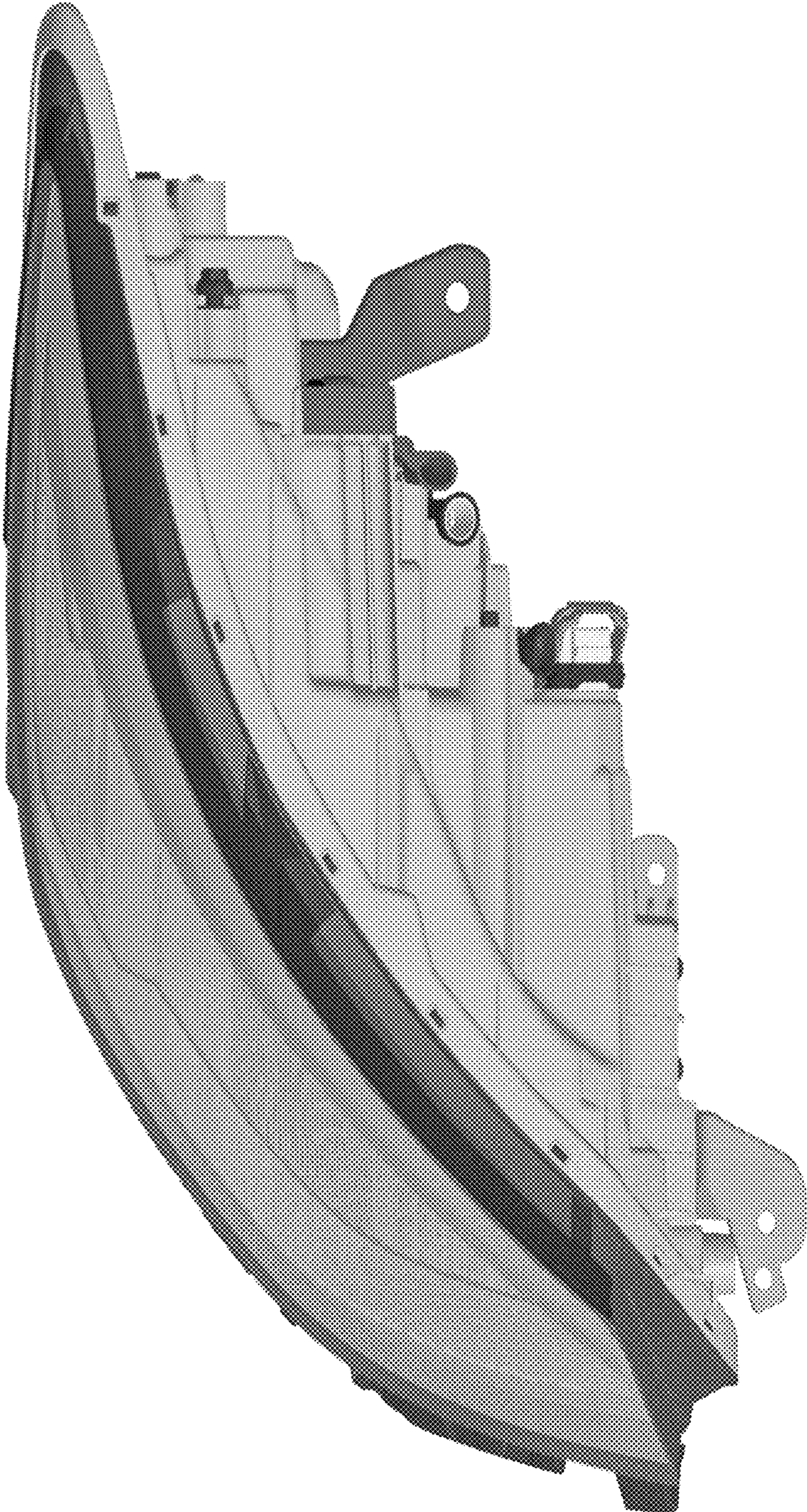


FIG. 1.7

