



US00D961821S

(12) **United States Design Patent** (10) **Patent No.:** **US D961,821 S**  
**Ke et al.** (45) **Date of Patent:** **\*\* Aug. 23, 2022**

(54) **BICYCLE TAILLIGHT**

(56) **References Cited**

(71) Applicant: **DONGGUAN ANTUSHI ELECTRONIC TECHNOLOGY CO., LTD.**, Dongguan (CN)

U.S. PATENT DOCUMENTS

(72) Inventors: **Yugang Ke**, Guangzhou (CN); **Xijian Li**, Yueyang (CN)

D636,508 S	4/2011	Nagano	
D685,936 S *	7/2013	Suzuki	D26/28
D745,727 S	12/2015	Ruthling	
D765,285 S *	8/2016	Lai	D26/28
D796,095 S *	8/2017	Huang	D26/28
D800,933 S *	10/2017	Chiu	D26/28
D852,994 S *	7/2019	Morgenstern	D26/28
D857,264 S *	8/2019	Goodrich	D26/28

(73) Assignee: **DONGGUAN ANTUSHI ELECTRONIC TECHNOLOGY CO., LTD.**, Dongguan (CN)

\* cited by examiner

(\*\*) Term: **15 Years**

*Primary Examiner* — Marcus A Jackson

(21) Appl. No.: **29/816,863**

(57) **CLAIM**

(22) Filed: **Nov. 25, 2021**

The ornamental design for a bicycle taillight, as shown and described.

(51) **LOC (13) Cl.** ..... **26-06**

**DESCRIPTION**

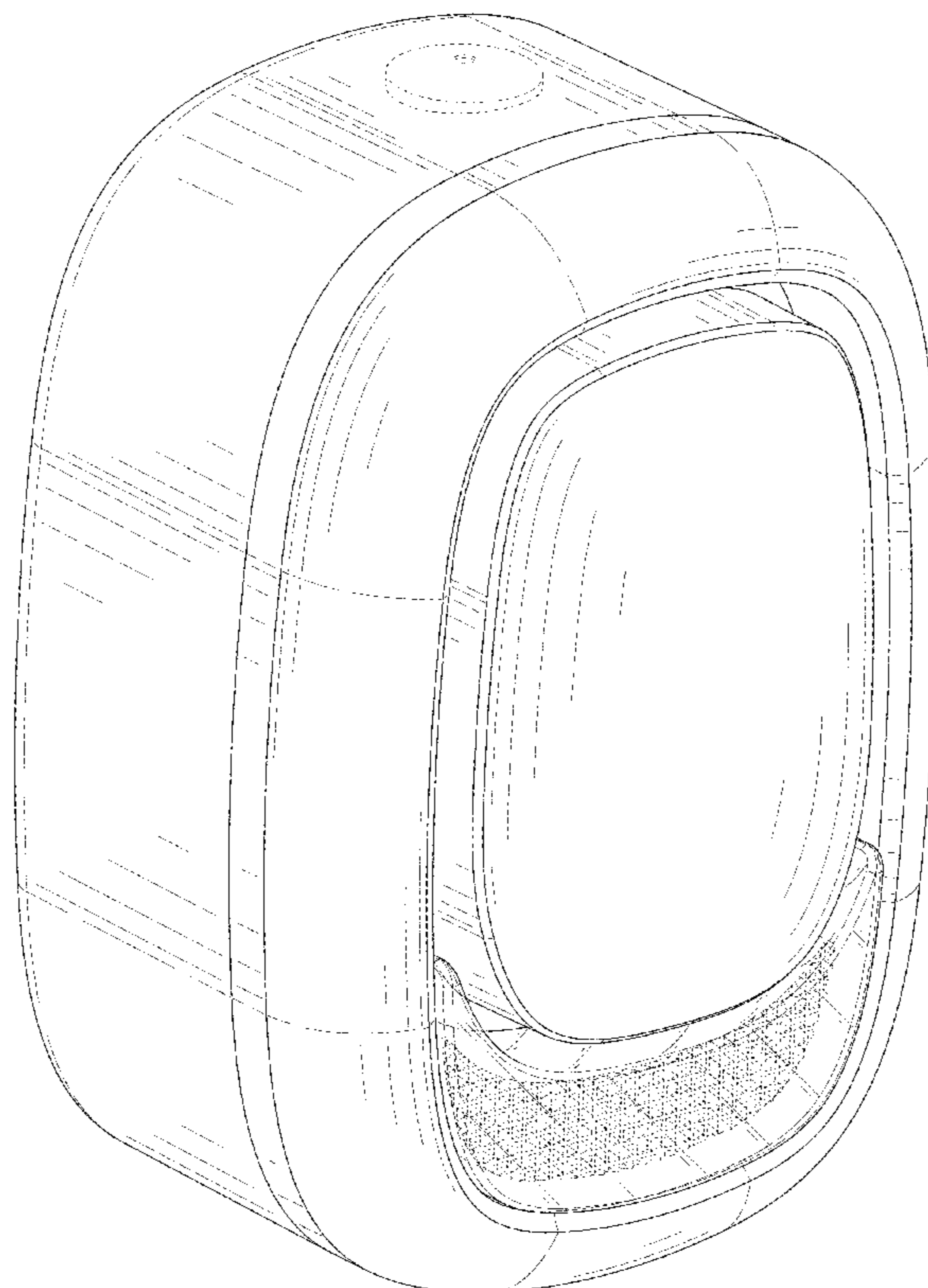
(52) **U.S. Cl.**  
USPC ..... **D26/28**

(58) **Field of Classification Search**  
USPC ..... D26/28–36, 139  
CPC ..... F21S 48/00; F21S 48/10; F21S 48/115;  
F21S 48/225; F21S 48/1233; F21S 48/1266; F21S 48/1388; F21S 48/2268;  
F21V 5/00; F21V 21/04; F21V 29/004;  
B60Q 9/13; B60Q 9/135; B60Q 9/1375;  
F21W 2102/17; F21W 2103/00; F21W 2103/35; F21W 2103/55; F21W 2107/13; F21W 2107/17

FIG. 1 is a perspective view of a bicycle taillight showing our new design;  
FIG. 2 is another perspective view thereof;  
FIG. 3 is a front elevational view thereof;  
FIG. 4 is a rear elevational view thereof;  
FIG. 5 is a left side elevational view thereof;  
FIG. 6 is a right side elevational view thereof;  
FIG. 7 is a top plan view thereof; and,  
FIG. 8 is a bottom plan view thereof.  
The broken lines in the drawings depict portions of the bicycle taillight that form no part of the claimed design.

See application file for complete search history.

**1 Claim, 8 Drawing Sheets**



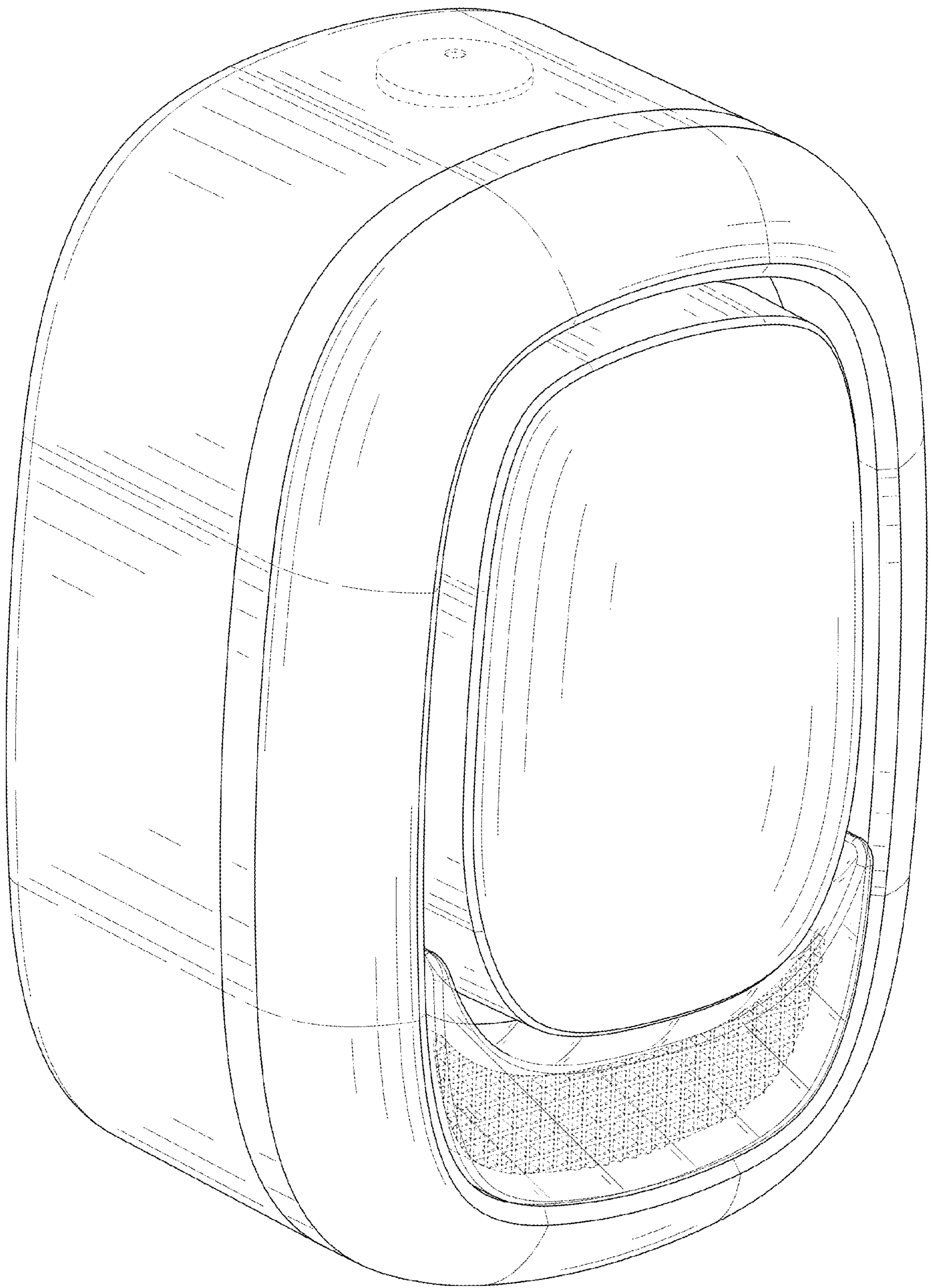


FIG. 1

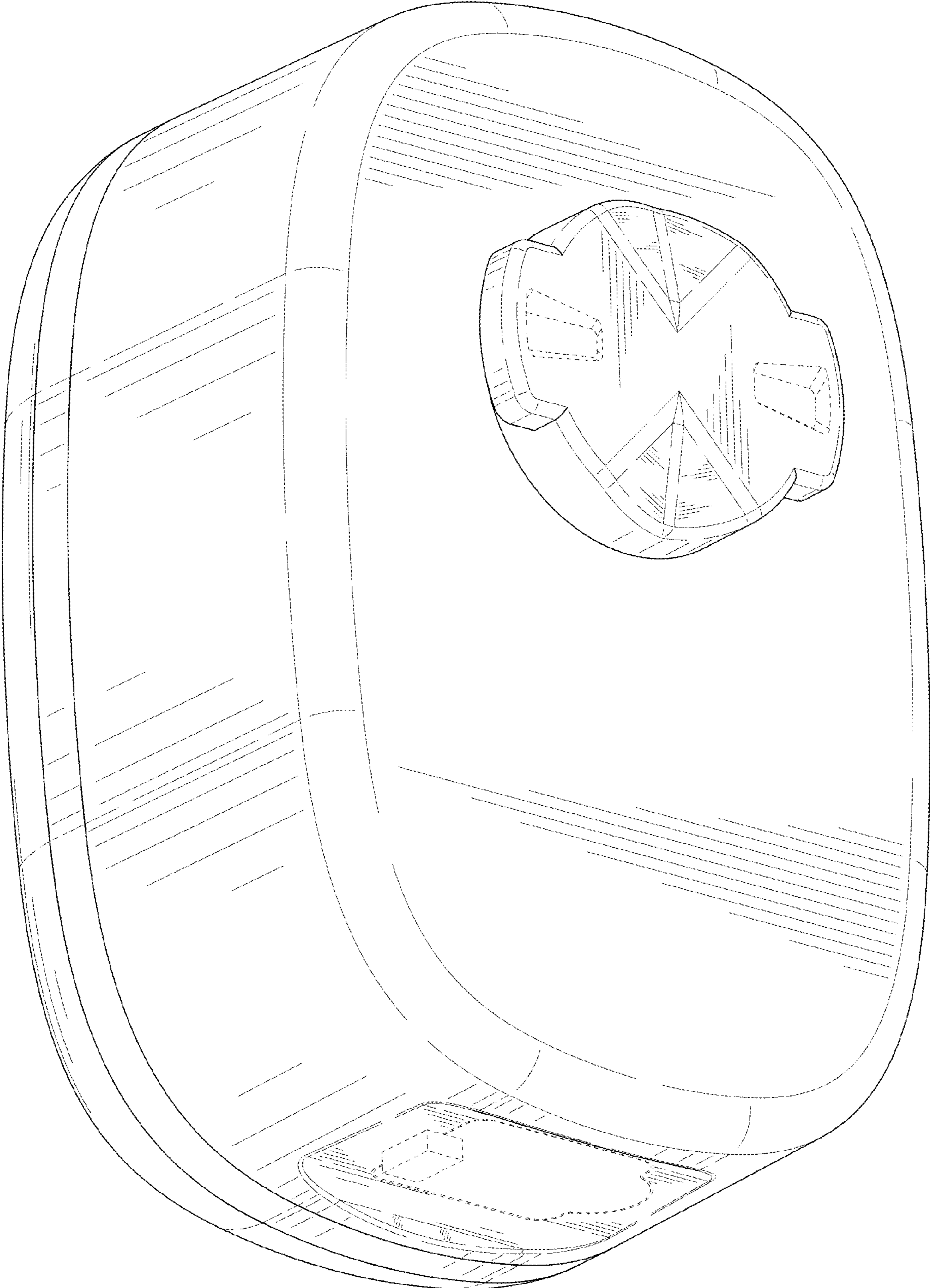


FIG. 2



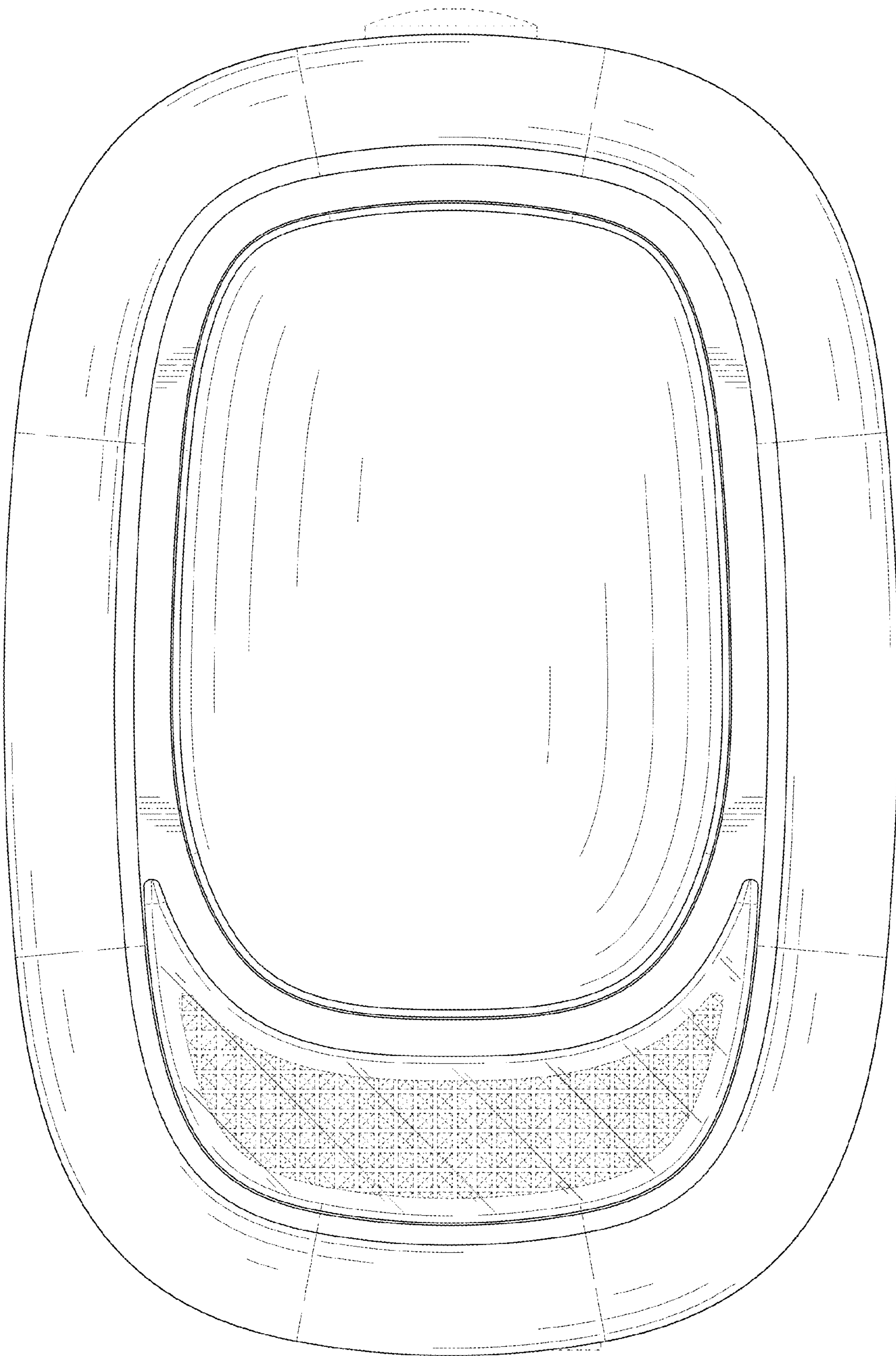


FIG. 3

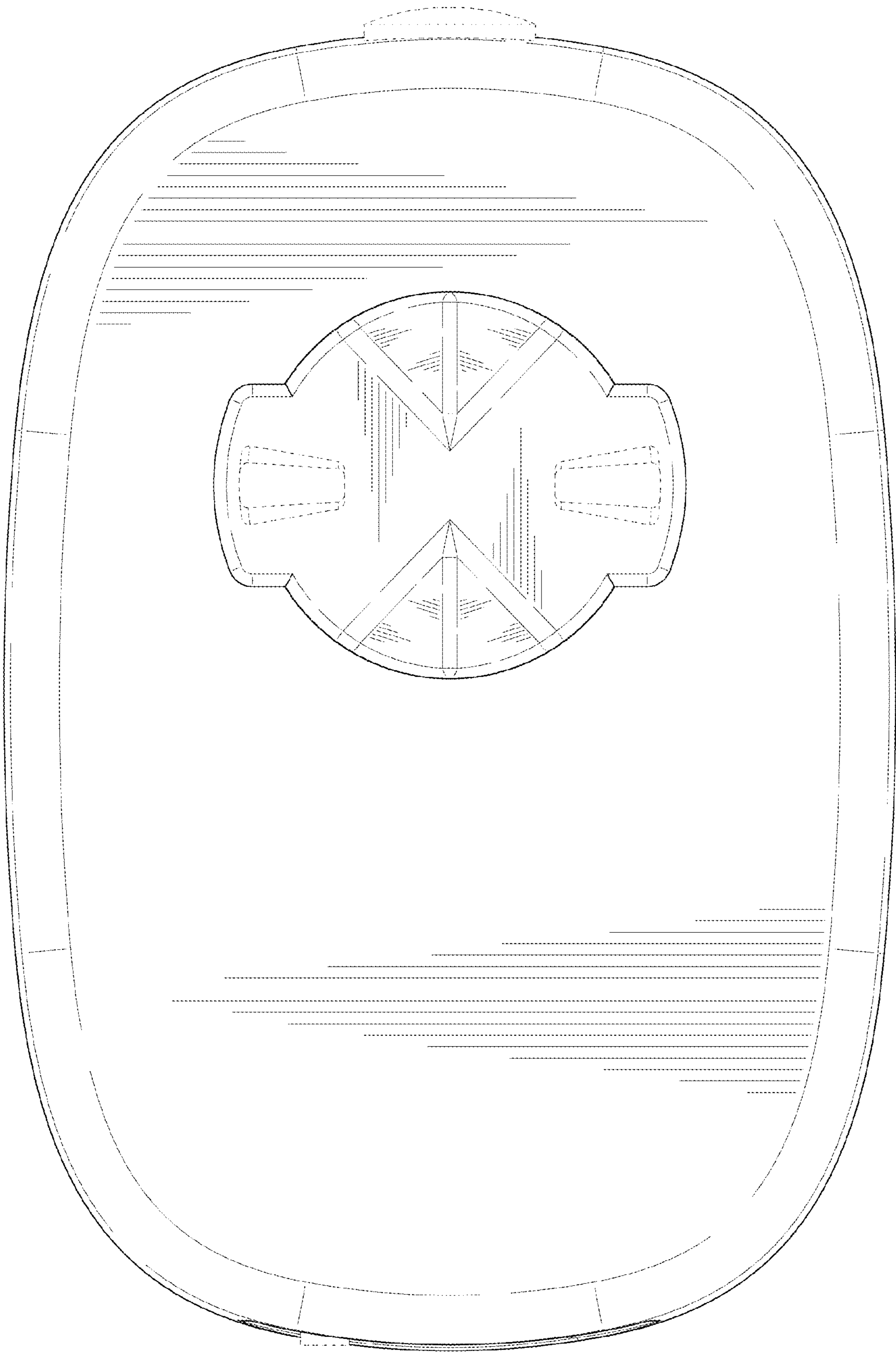


FIG. 4

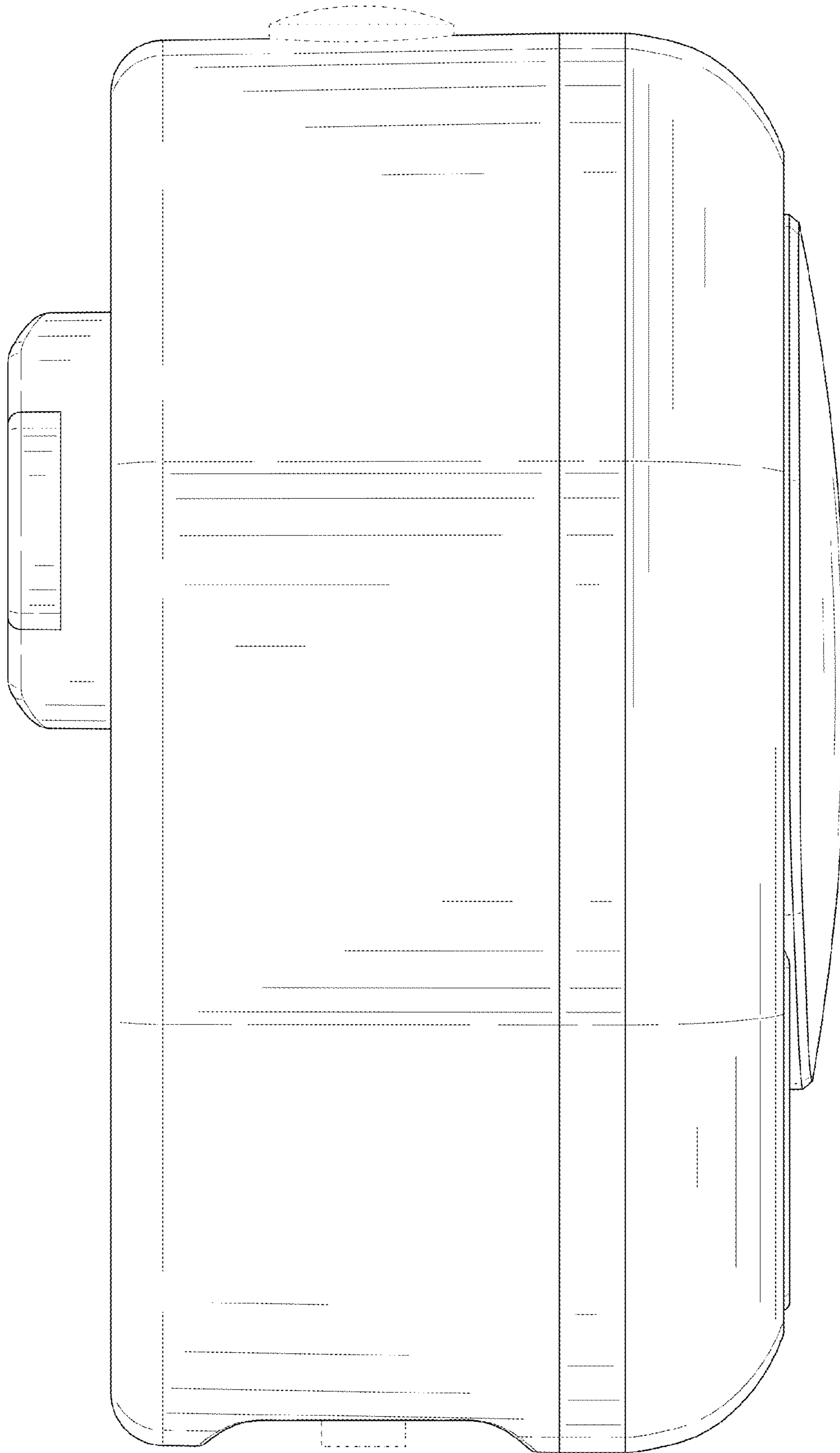


FIG. 5

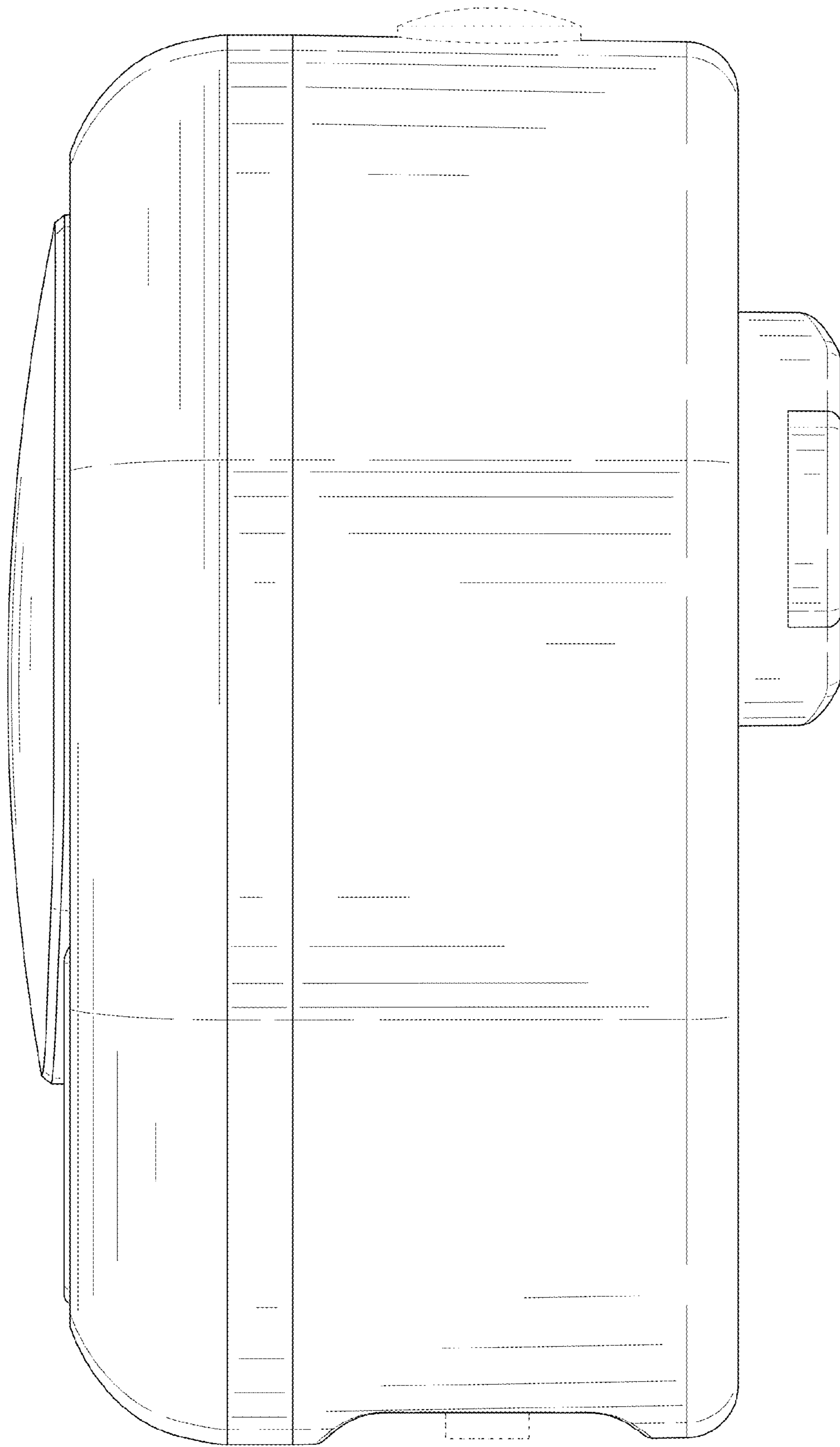


FIG. 6

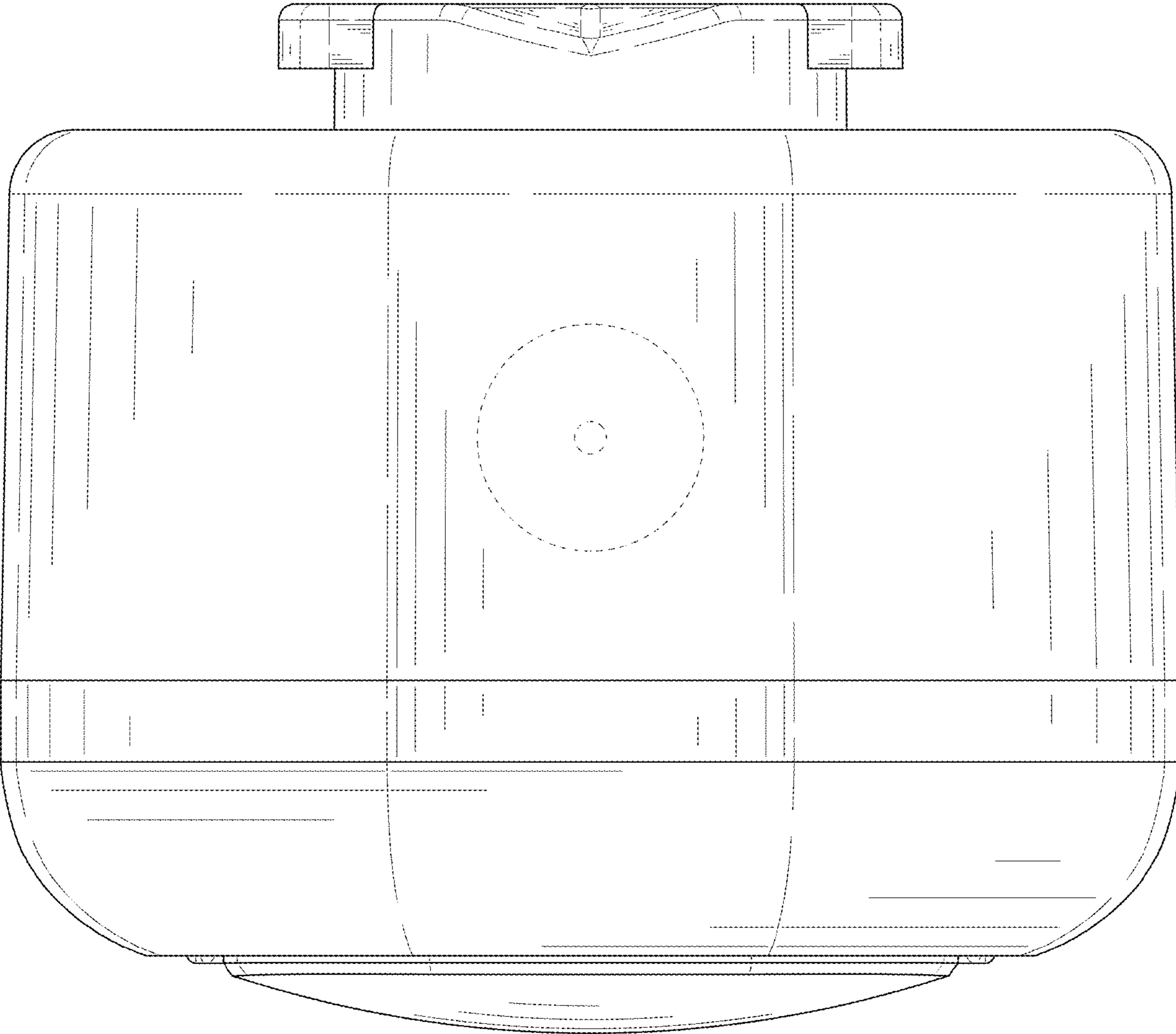


FIG. 7



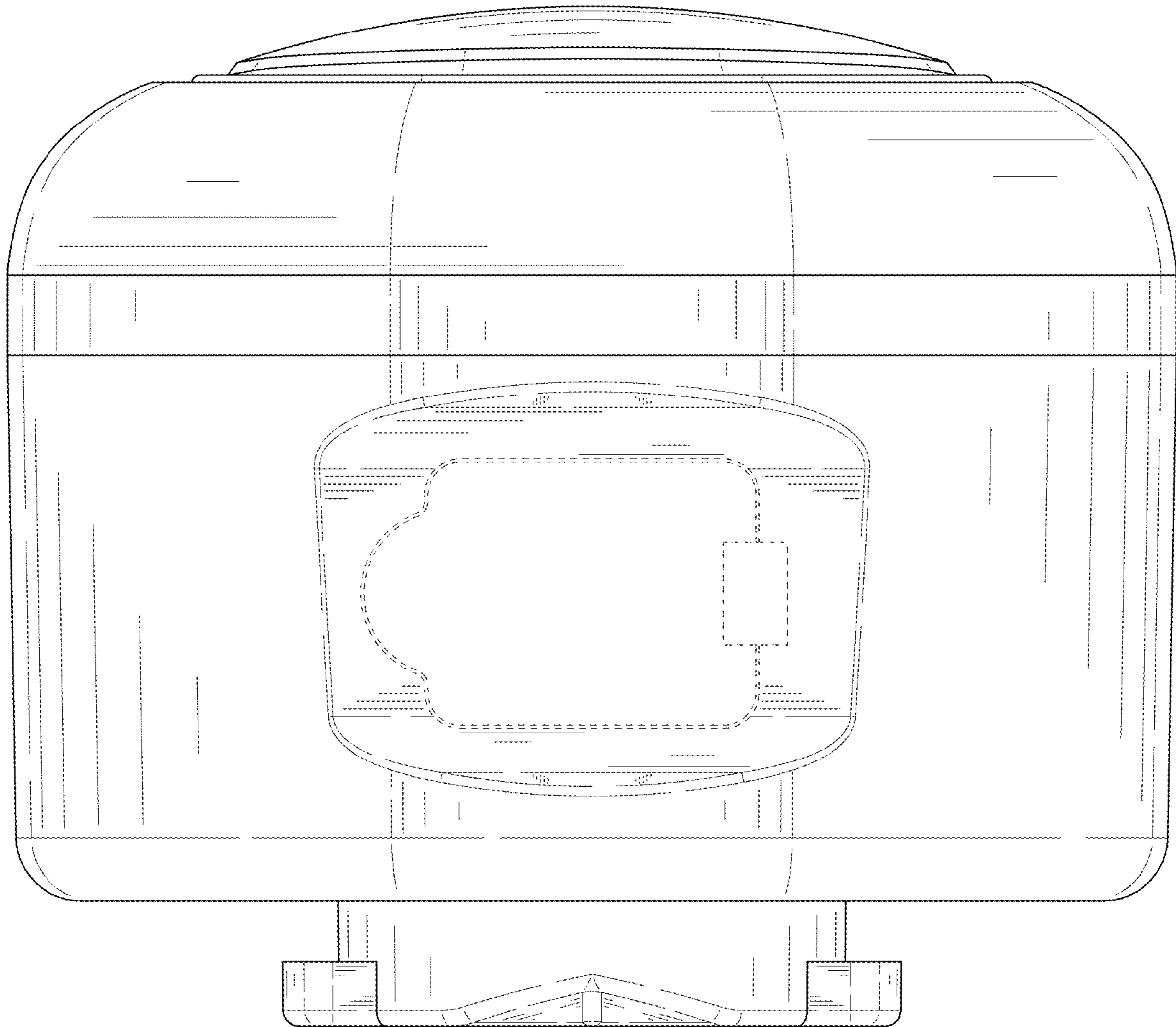


FIG. 8