



US00D961819S

(12) **United States Design Patent**
Yeh

(10) **Patent No.:** **US D961,819 S**

(45) **Date of Patent:** **** Aug. 23, 2022**

(54) **AUTOMOBILE LED HEADLIGHT**

(56) **References Cited**

(71) Applicant: **Changzhou Chengjia Photoelectric Technology Co., LTD**, Changzhou (CN)

(72) Inventor: **Chunhung Yeh**, Shanghai (CN)

(**) Term: **15 Years**

(21) Appl. No.: **29/791,966**

(22) Filed: **Feb. 23, 2022**

(51) **LOC (13) Cl.** **26-06**

(52) **U.S. Cl.**
USPC **D26/28**

(58) **Field of Classification Search**
USPC D26/28-36, 139
CPC F21S 48/00; F21S 48/10; F21S 48/115;
F21S 48/225; F21S 48/1233; F21S 48/1266; F21S 48/1388; F21S 48/2268;
F21V 5/00; F21V 21/04; F21V 29/004;
B60Q 9/13; B60Q 9/135; B60Q 9/1375;
F21W 2102/17; F21W 2103/00; F21W 2103/35; F21W 2103/55; F21W 2107/13;
F21W 2107/17

See application file for complete search history.

U.S. PATENT DOCUMENTS

D605,792 S	*	12/2009	Weil	D26/28
D742,046 S	*	10/2015	Hwang	D26/28
D755,421 S	*	5/2016	Alemaný	D26/28
D787,720 S	*	5/2017	Lai	D26/28
D787,721 S	*	5/2017	Lai	D26/28
D797,324 S	*	9/2017	Lai	D26/28
D939,117 S		12/2021	Dos Santos et al.	

* cited by examiner

Primary Examiner — Marcus A Jackson

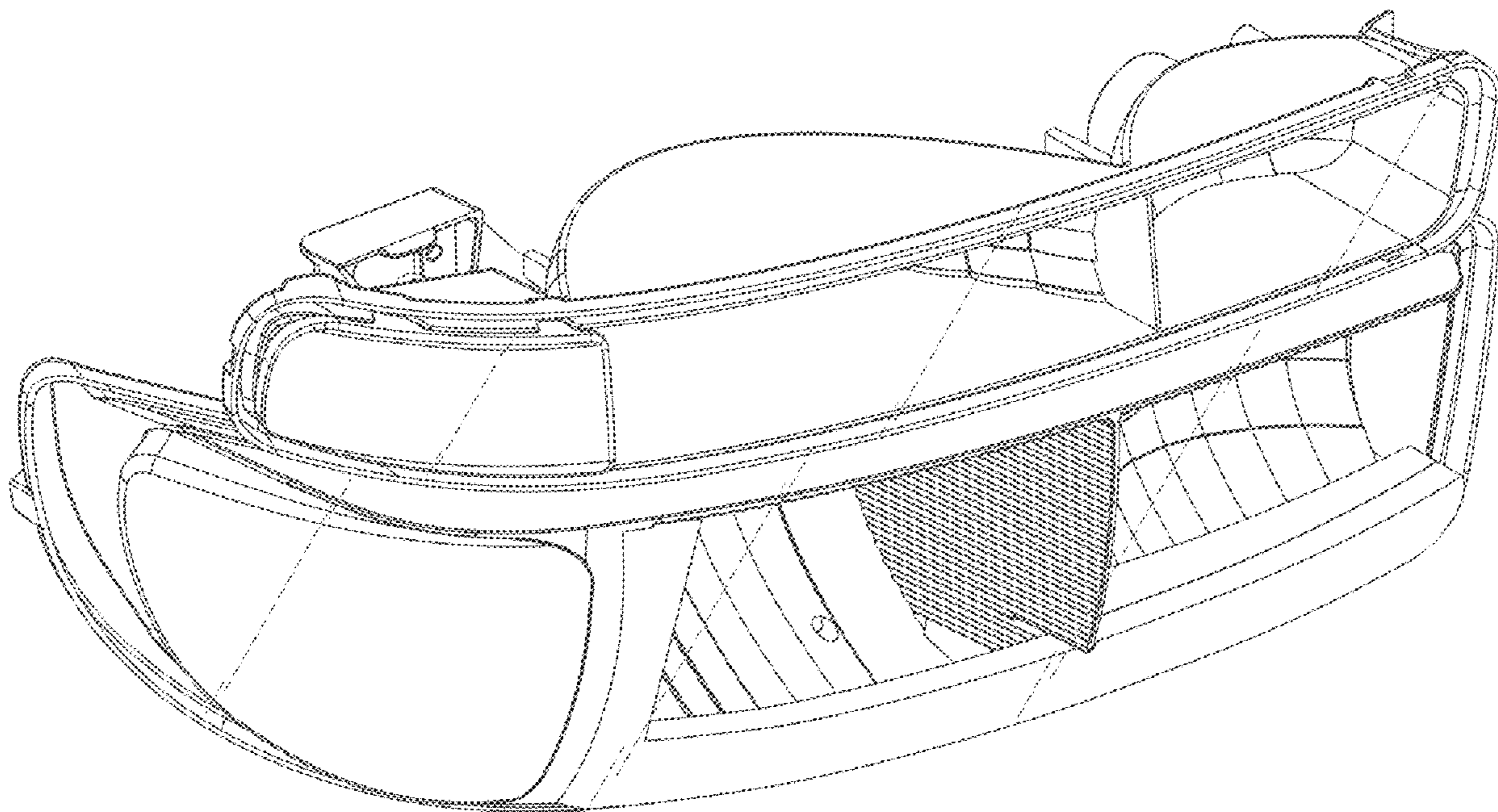
(57) **CLAIM**

The ornamental design for automobile LED headlight, substantially as shown and described.

DESCRIPTION

FIG. 1 is a front perspective view of automobile LED headlight, showing my new design; FIG. 2 is a front view thereof; FIG. 3 is a rear view thereof; FIG. 4 is a left side view thereof; FIG. 5 is a right side view thereof; FIG. 6 is a top view thereof; and, FIG. 7 is a bottom view thereof.

1 Claim, 7 Drawing Sheets



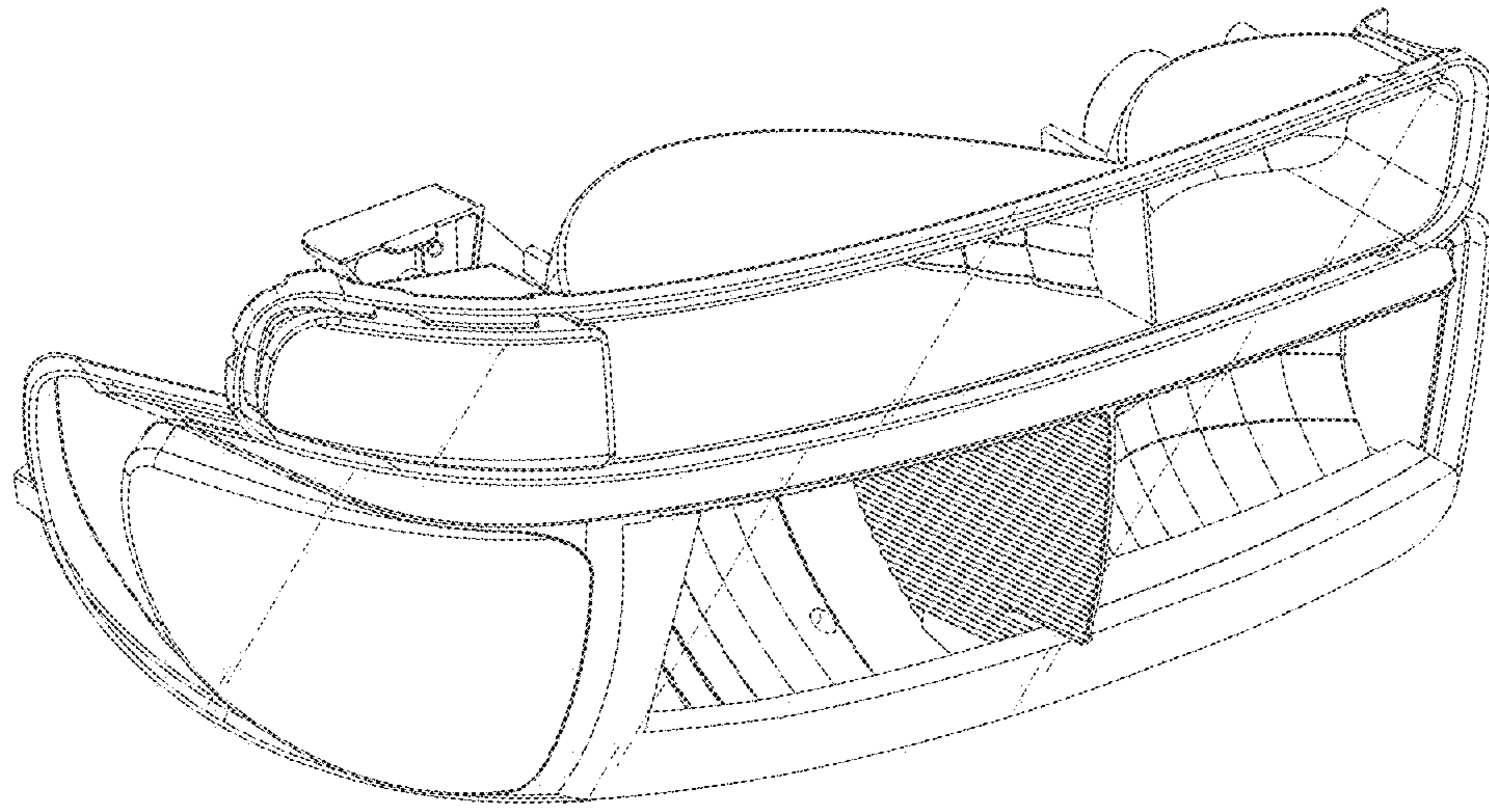


FIG. 1

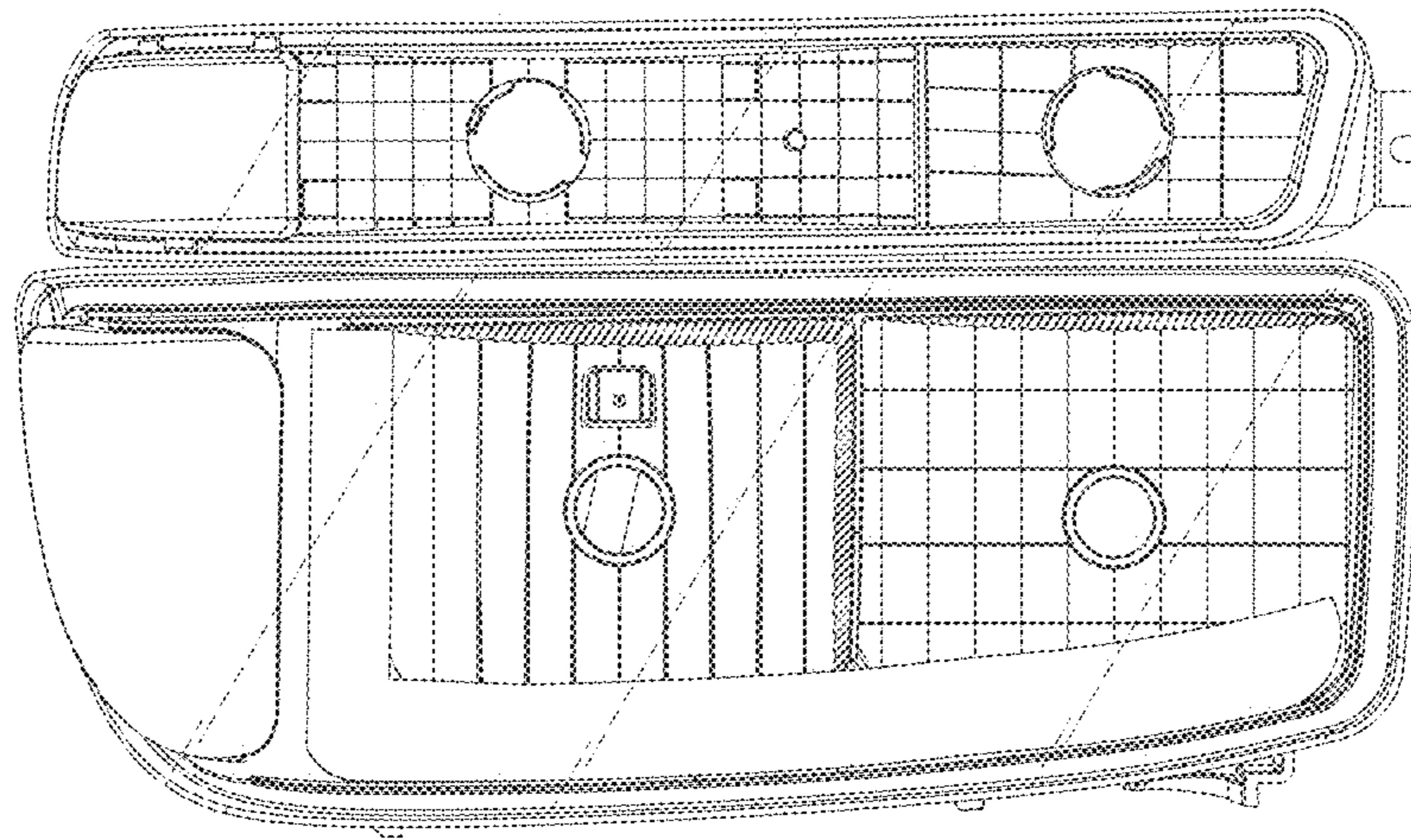


FIG. 2

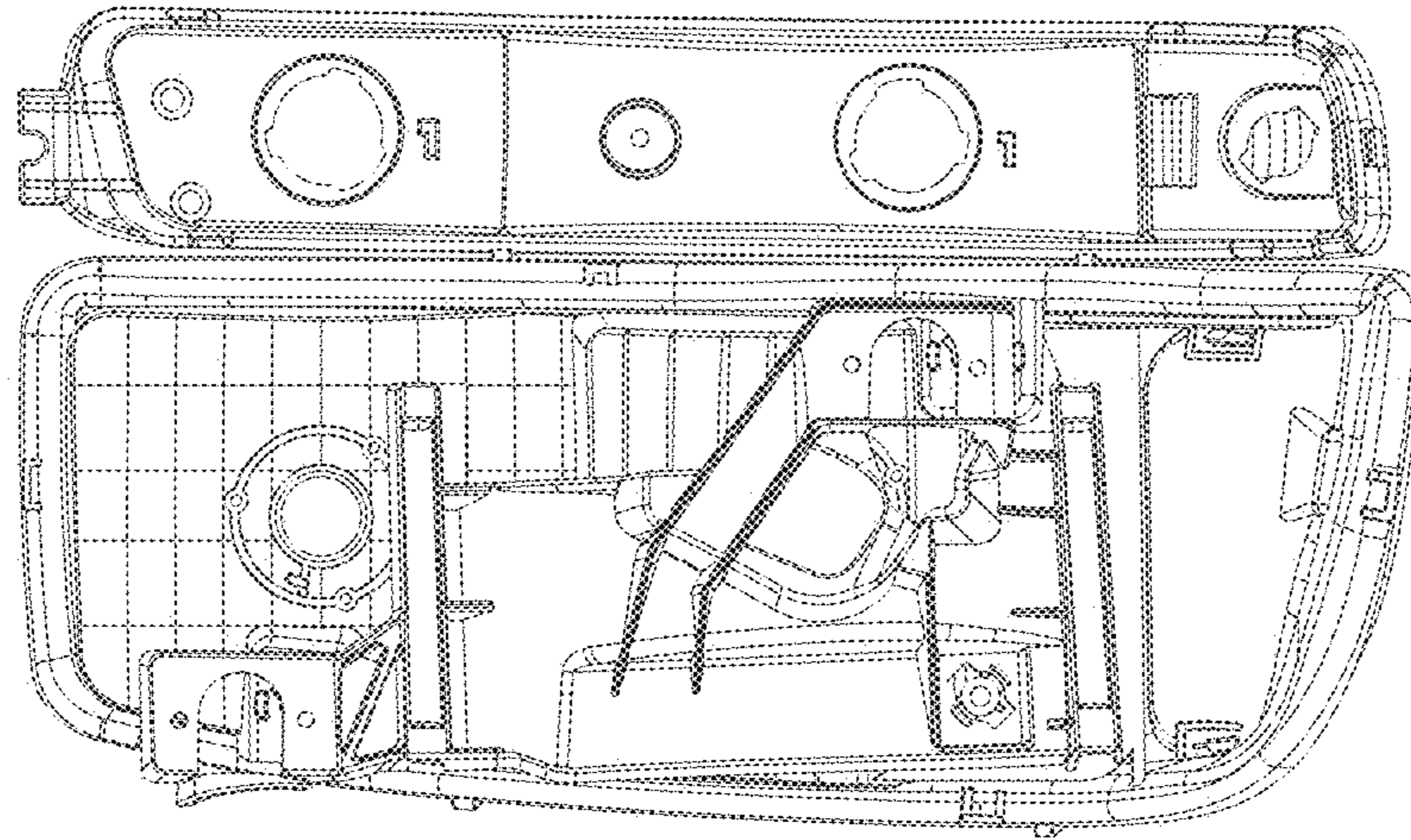


FIG. 3

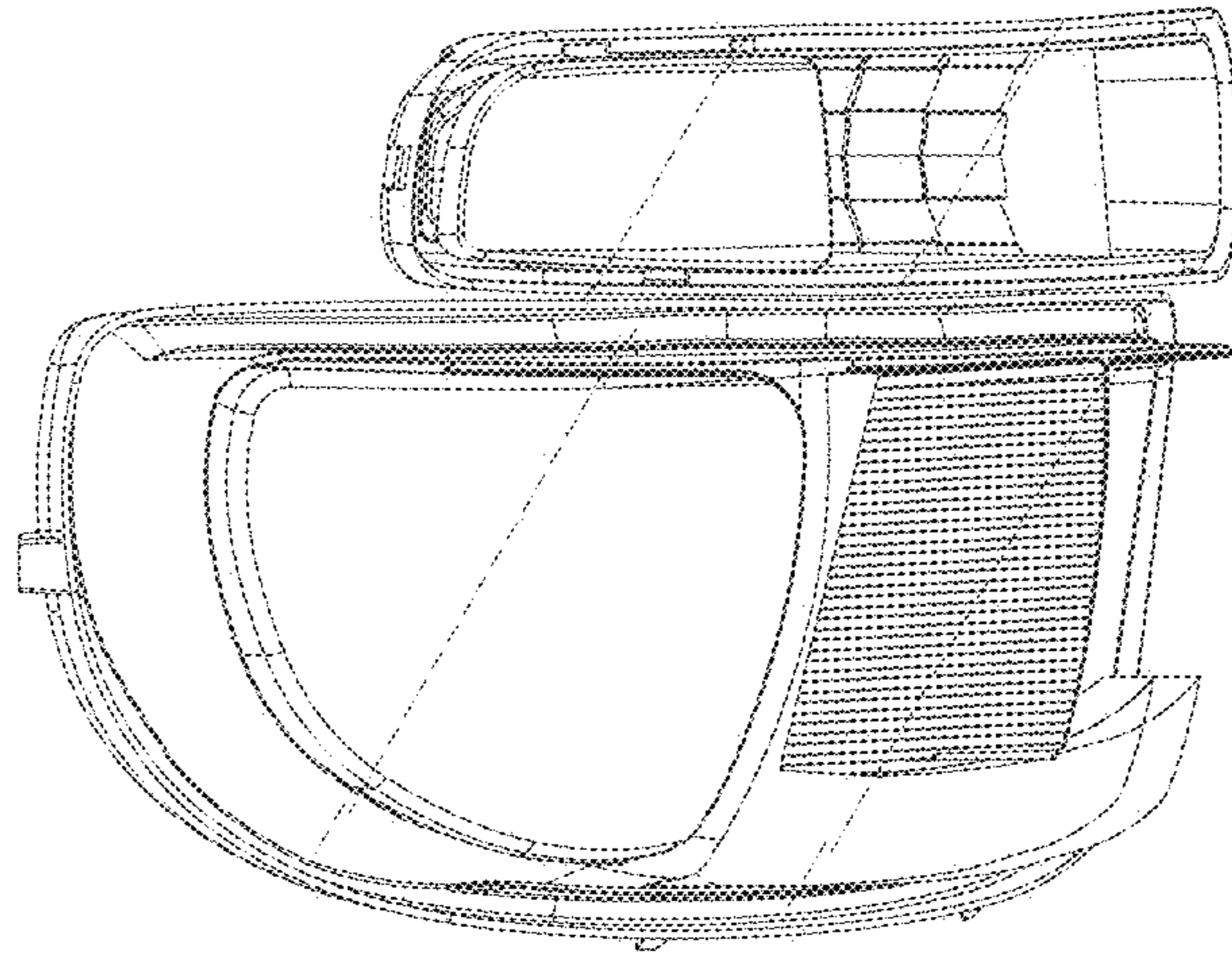


FIG. 4

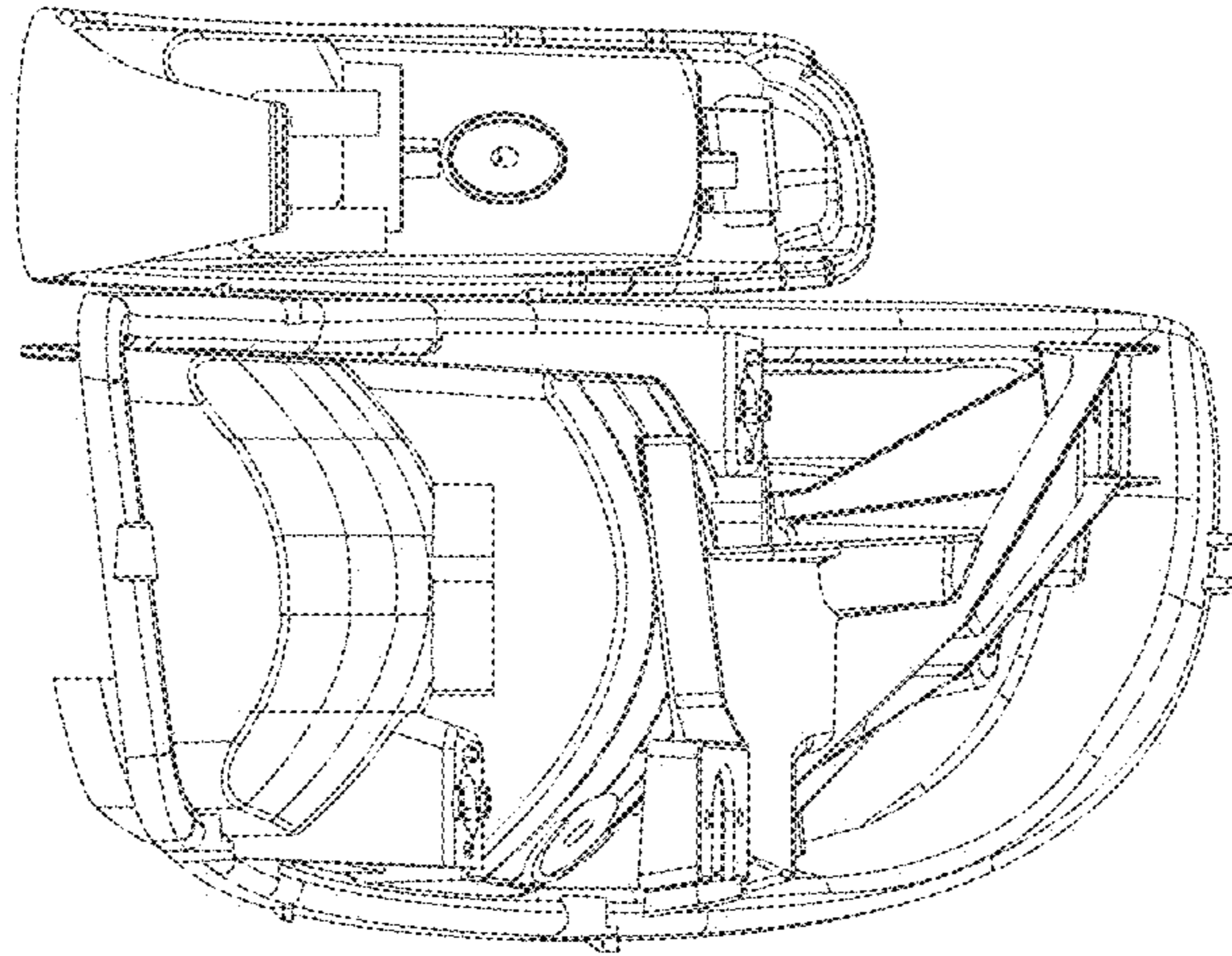


FIG. 5

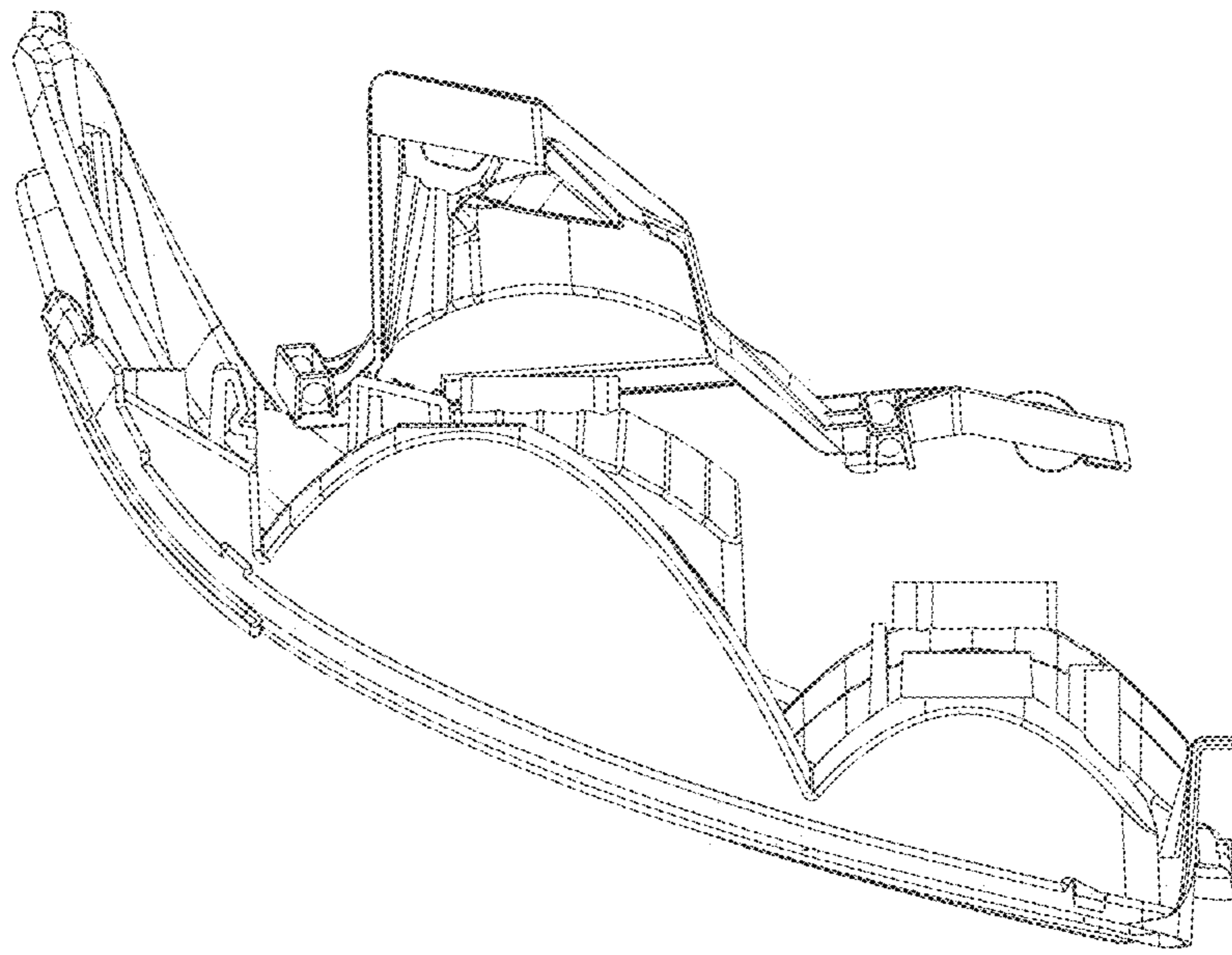


FIG. 6

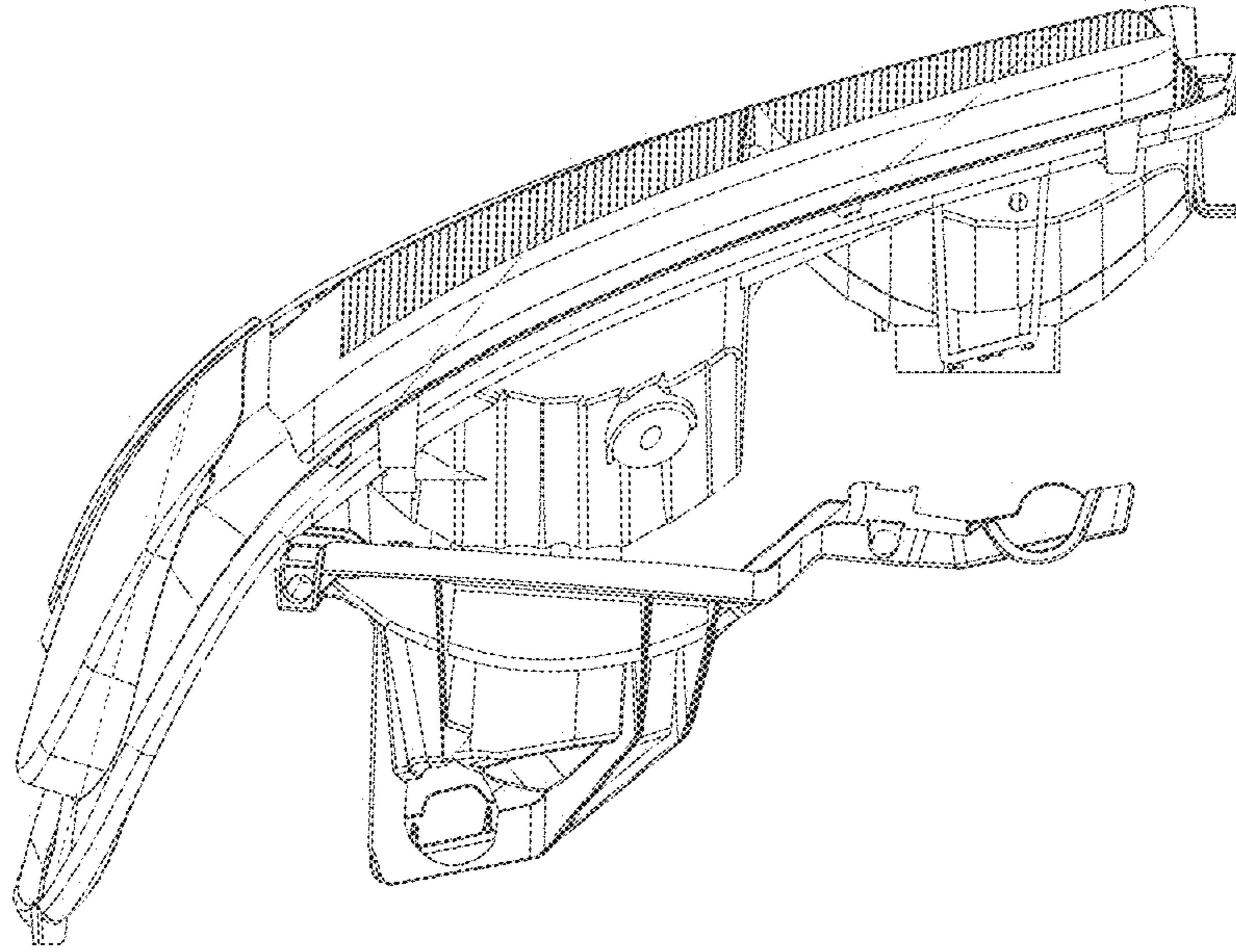


FIG. 7