



US00D961818S

(12) **United States Design Patent** (10) **Patent No.:** **US D961,818 S**
Wu (45) **Date of Patent:** **** Aug. 23, 2022**

(54) **VEHICLE LIGHT**

(56) **References Cited**

(71) Applicant: **COPLUS INC.**, Tainan (TW)

U.S. PATENT DOCUMENTS

(72) Inventor: **Po-Hua Wu**, Tainan (TW)

D765,282 S *	8/2016	Lai	D26/28
D797,332 S *	9/2017	Lin	D26/28
D809,682 S *	2/2018	Lin	D26/28
D838,019 S *	1/2019	Lin	D26/28
D870,932 S *	12/2019	Lin	D26/28
D920,551 S *	5/2021	Lin	D26/28
D921,942 S *	6/2021	Lin	D26/28
D921,944 S *	6/2021	Lin	D26/28
D929,624 S *	8/2021	Yang	D26/28

(73) Assignee: **COPLUS INC.**, Tainan (TW)

(**) Term: **15 Years**

(21) Appl. No.: **29/763,721**

* cited by examiner

(22) Filed: **Dec. 23, 2020**

Primary Examiner — Marcus A Jackson

(30) **Foreign Application Priority Data**

(74) *Attorney, Agent, or Firm* — Lewis Roca Rothgerber Christie LLP

Nov. 12, 2020 (TW) 109306324

(51) **LOC (13) Cl.** **26-06**

(57) **CLAIM**

(52) **U.S. Cl.**

The ornamental design for vehicle light, as shown and described.

USPC **D26/28**

DESCRIPTION

(58) **Field of Classification Search**

USPC D26/28-36, 139

CPC F21S 48/00; F21S 48/10; F21S 48/115;

F21S 48/225; F21S 48/1233; F21S

48/1266; F21S 48/1388; F21S 48/2268;

F21V 5/00; F21V 21/04; F21V 29/004;

B60Q 9/13; B60Q 9/135; B60Q 9/1375;

F21W 2102/17; F21W 2103/00; F21W

2103/35; F21W 2103/55; F21W 2107/13;

F21W 2107/17

FIG. 1 is a perspective view of a vehicle light;

FIG. 2 is a front view thereof;

FIG. 3 is a back view thereof;

FIG. 4 is a left side view thereof;

FIG. 5 is a right side view thereof;

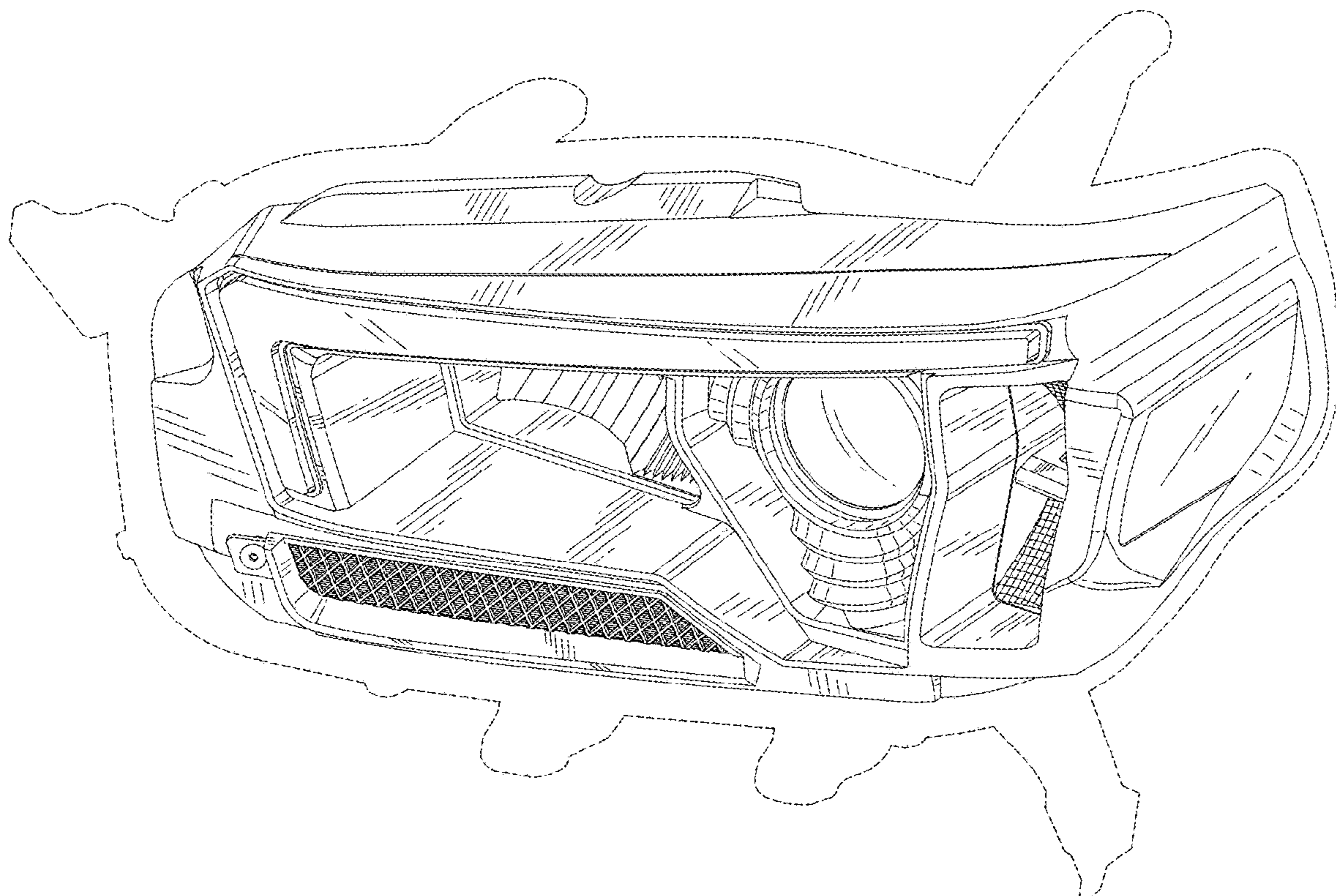
FIG. 6 is a top view thereof; and,

FIG. 7 is a bottom view thereof.

The broken lines in the drawings depict portions of the article that form no part of the claimed design.

See application file for complete search history.

1 Claim, 7 Drawing Sheets



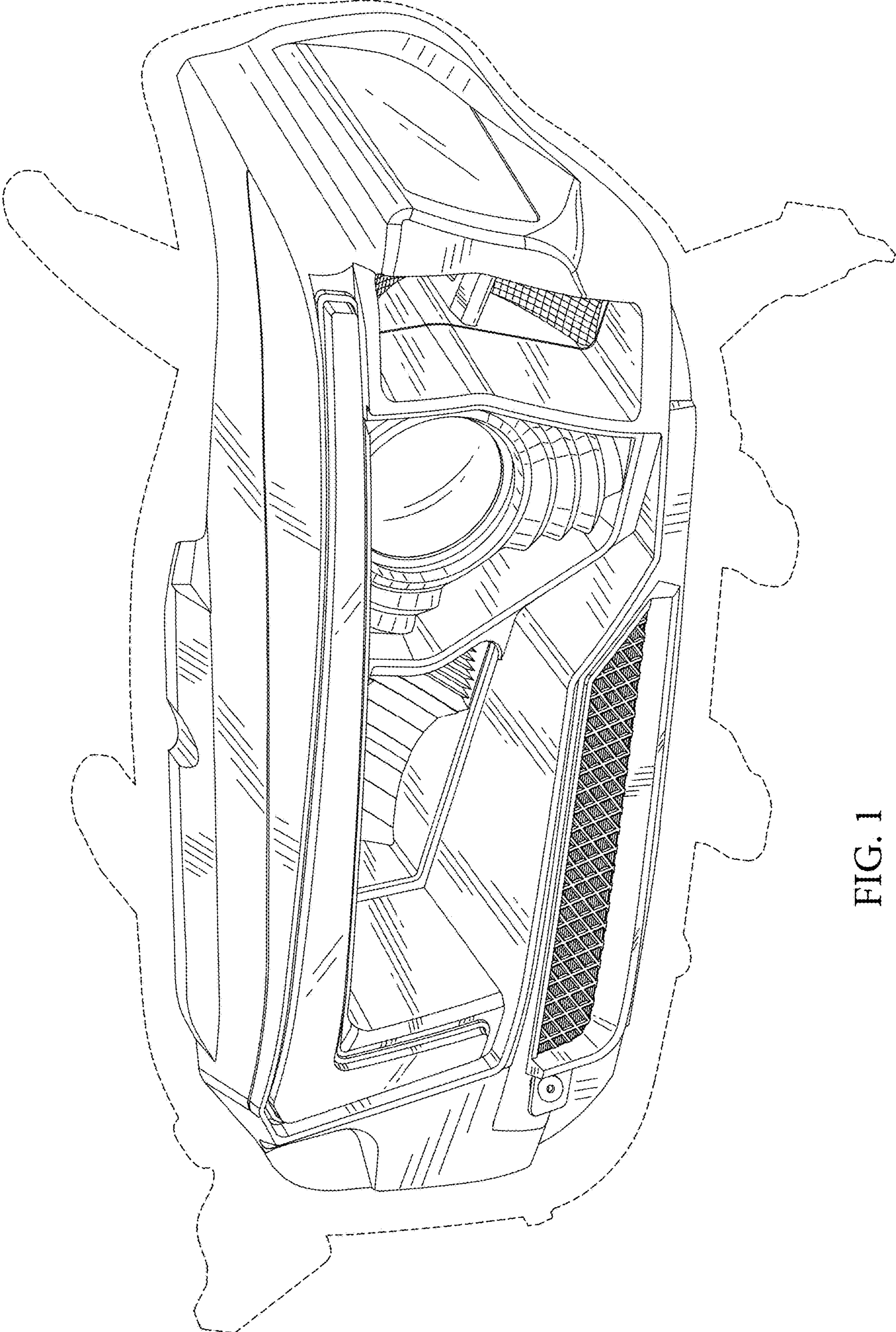


FIG. 1

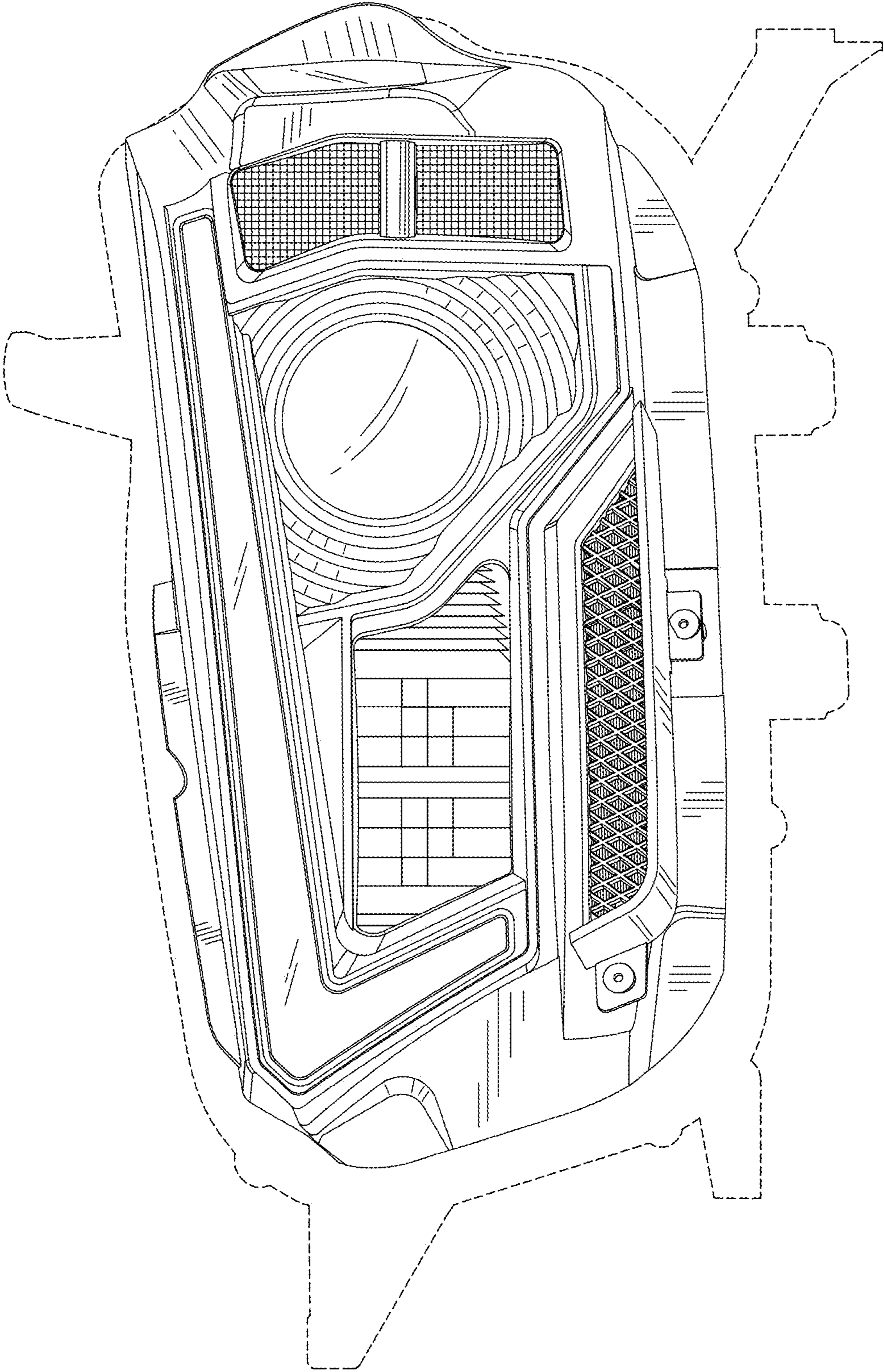


FIG. 2

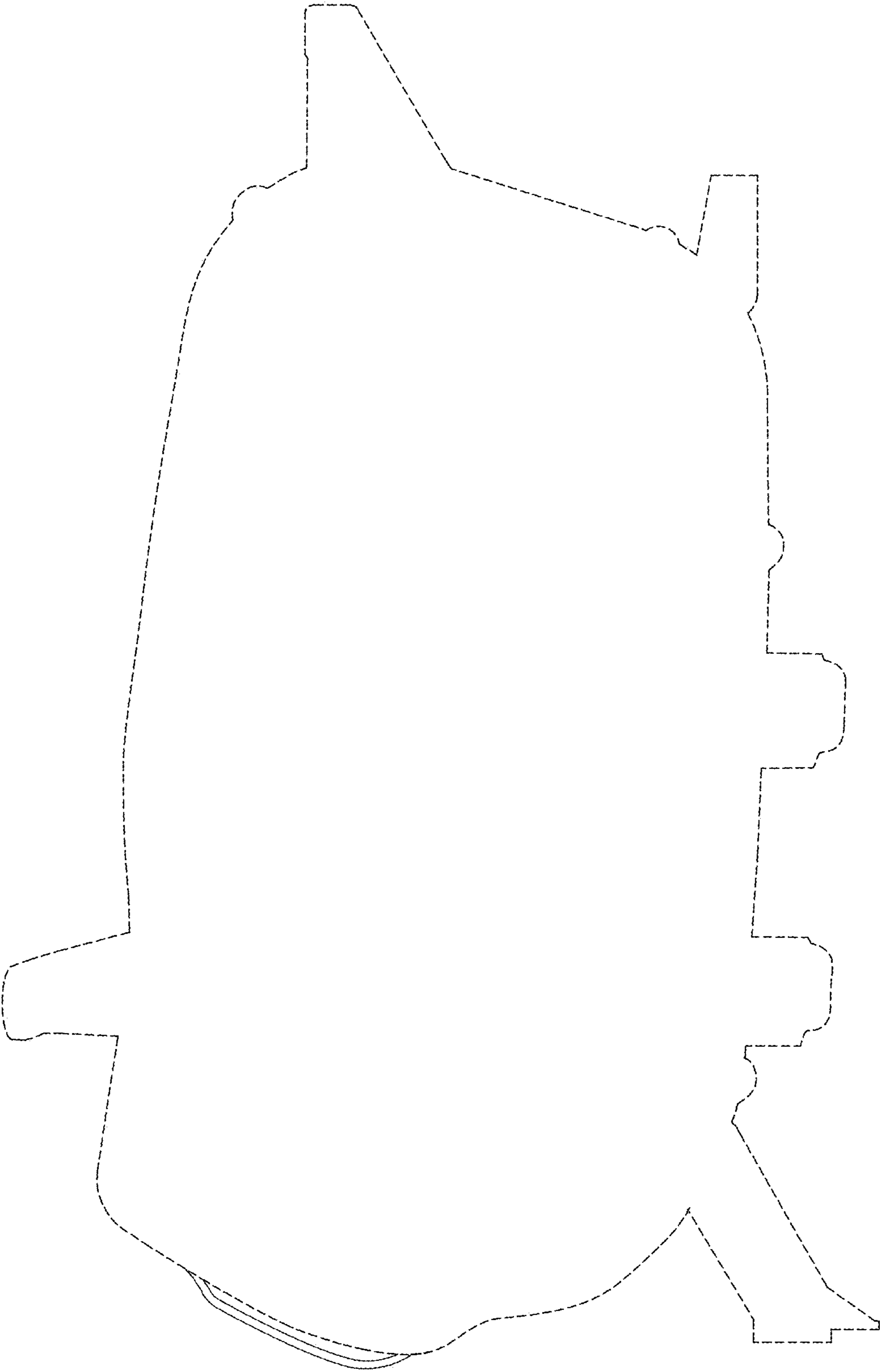


FIG. 3

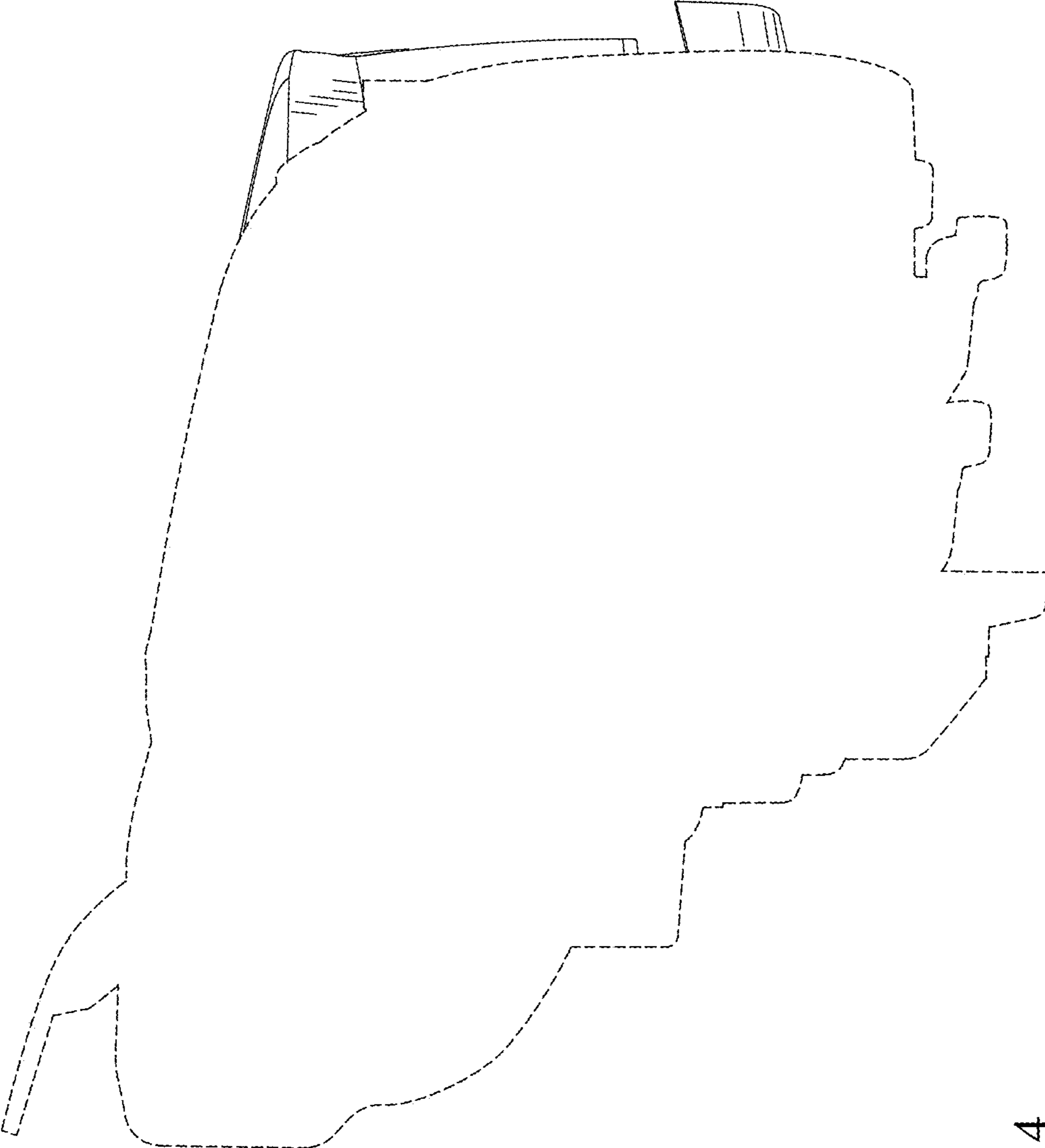


FIG. 4

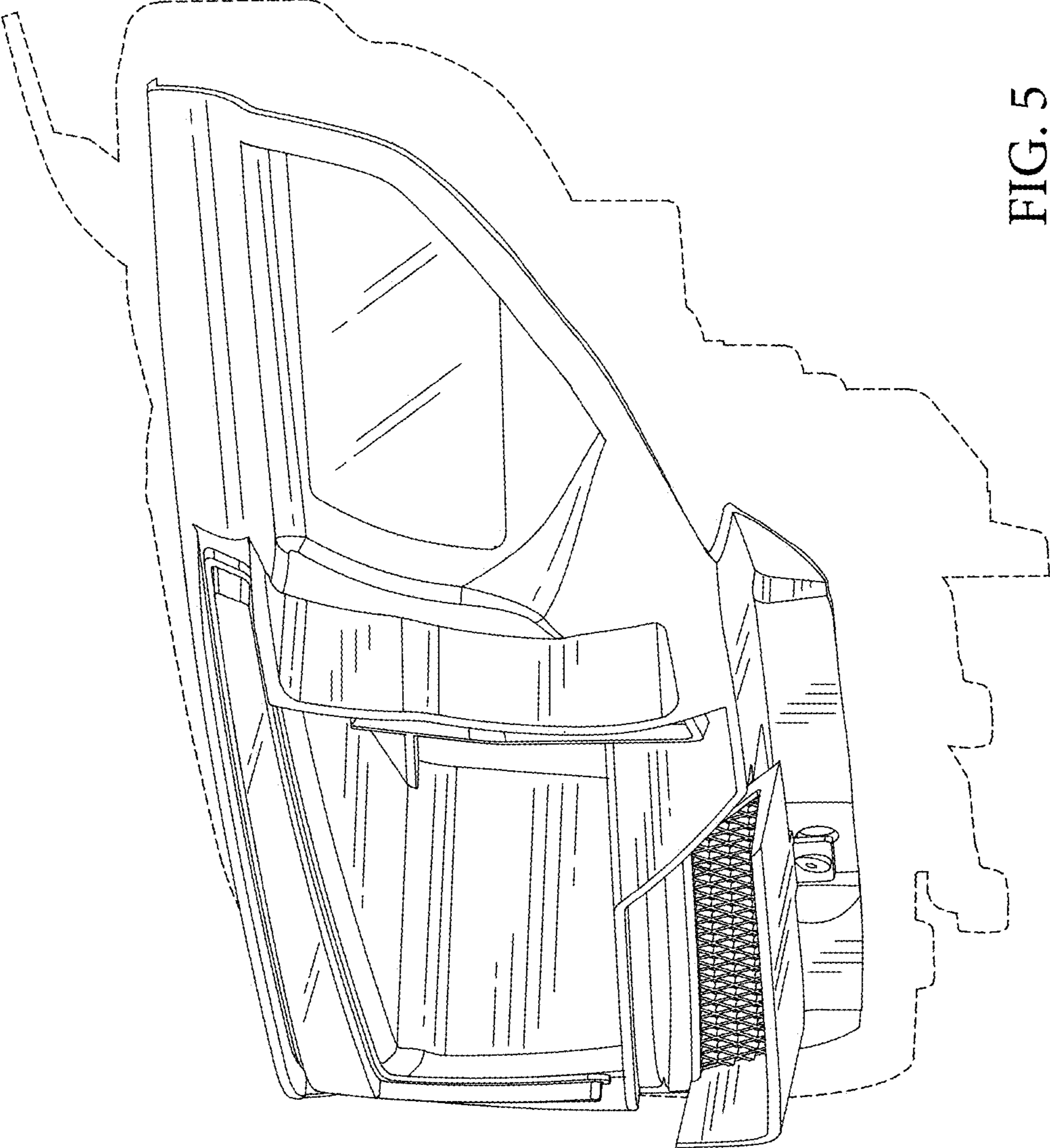


FIG. 5

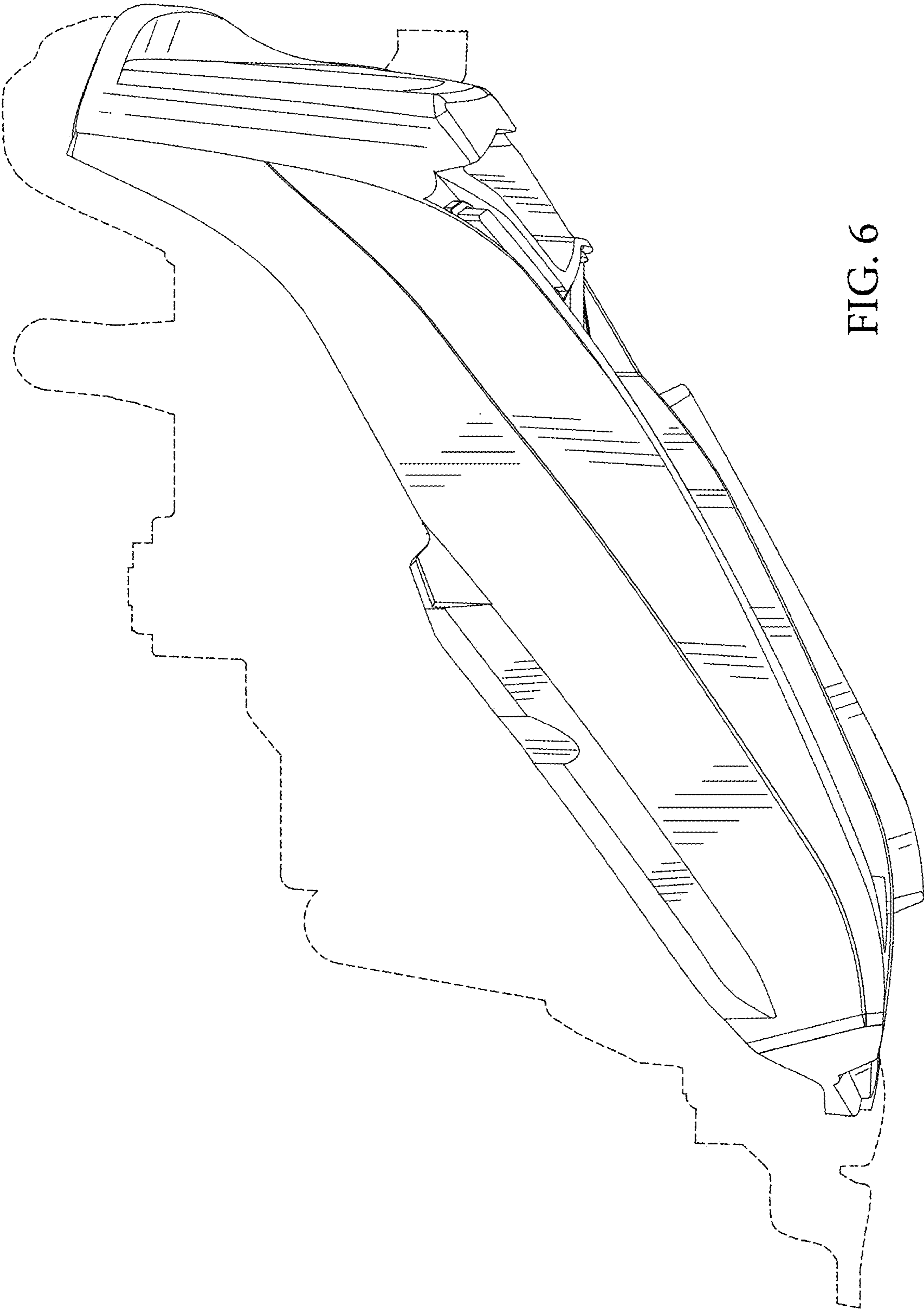


FIG. 6

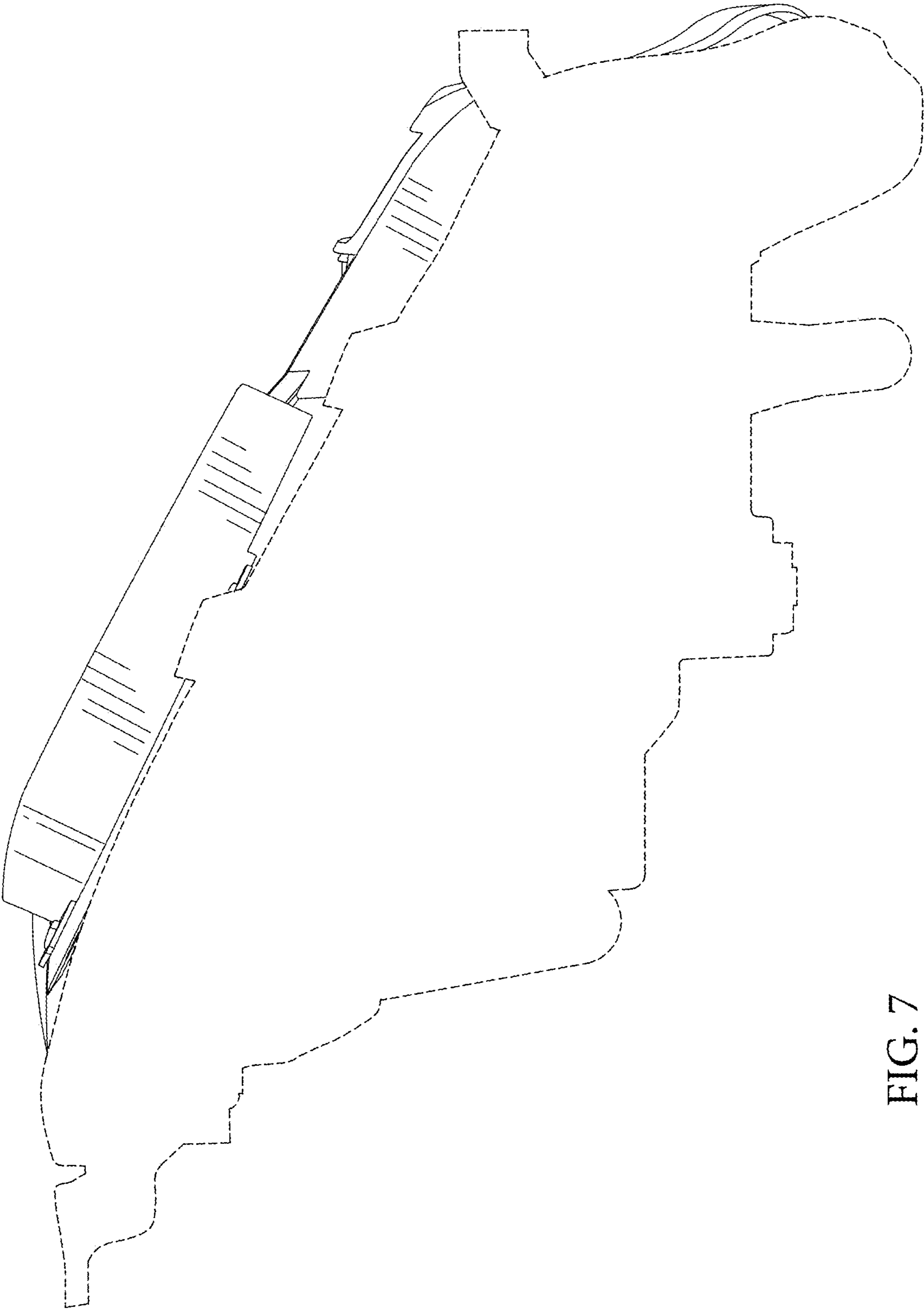


FIG. 7