



US00D961816S

(12) **United States Design Patent**
Oyepeju

(10) **Patent No.:** **US D961,816 S**

(45) **Date of Patent:** **** Aug. 23, 2022**

(54) **FLIP-UP LIGHT FOR A REMOTE CONTROL**

(71) Applicant: **Oyediran Adeyemi Oyepeju**, Coventry (GB)

(72) Inventor: **Oyediran Adeyemi Oyepeju**, Coventry (GB)

(**) Term: **15 Years**

(21) Appl. No.: **29/692,272**

(22) Filed: **May 23, 2019**

(51) **LOC (13) Cl.** **26-03**

(52) **U.S. Cl.**
USPC **D26/24; D26/39; D26/60**

(58) **Field of Classification Search**
USPC D26/1, 24, 30, 46, 51, 52, 60, 108, 38, D26/39, 61, 63; D14/217, 218, 299
CPC F21V 21/08; F21V 21/30; F21V 21/092; F21V 21/096; F21V 21/0808; F21V 21/0925; F21S 6/003; F21S 6/006; F21S 8/00; F21S 9/02

See application file for complete search history.

(56) **References Cited**

U.S. PATENT DOCUMENTS

D346,457 S *	4/1994	Friedman	D26/43
D462,952 S *	9/2002	Anderson	D14/299
D507,673 S *	7/2005	Martin	D26/60
D518,586 S *	4/2006	Kaufman	D26/60
D523,984 S *	6/2006	Cai	D26/61
D524,474 S *	7/2006	Lo	D26/37
D527,129 S *	8/2006	Hodgson	D26/42
D529,214 S *	9/2006	Sherring	D26/39
D543,304 S *	5/2007	Chan	D26/60
D580,574 S *	11/2008	Leslie	D26/37
D615,226 S *	5/2010	Levine	D26/44
D625,864 S *	10/2010	Lo	D26/44
D703,357 S *	4/2014	Grandadam	D26/44
D745,989 S *	12/2015	Katz	D26/60
D855,585 S *	8/2019	Jeong	D14/218

D872,331 S *	1/2020	Smith	D26/39
D883,954 S *	5/2020	He	D14/216
D935,072 S *	11/2021	Stobar	D26/39

(Continued)

Primary Examiner — Wan Laymon

Assistant Examiner — Clint A Samuel

(74) *Attorney, Agent, or Firm* — Quickpatents, LLC; Kevin Prince

(57) **CLAIM**

The ornamental design for a flip-up light for a remote control, as shown and described.

DESCRIPTION

FIG. 1 is a right-side perspective view of a flip-up light for a remote control, showing my new design in a retracted position;

FIG. 2 is a left-side perspective view thereof;

FIG. 3 is an enlarged right-side elevational view thereof;

FIG. 4 is a left-side elevational view of FIG. 3;

FIG. 5 is a top plan view of FIG. 3;

FIG. 6 is a bottom plan view of FIG. 3;

FIG. 7 is a rear elevational view of FIG. 3;

FIG. 8 is a front elevational view of FIG. 3;

FIG. 9 is a right-side perspective view thereof, illustrated in an extended position; and

FIG. 10 is an enlarged left-side perspective view of FIG. 9.

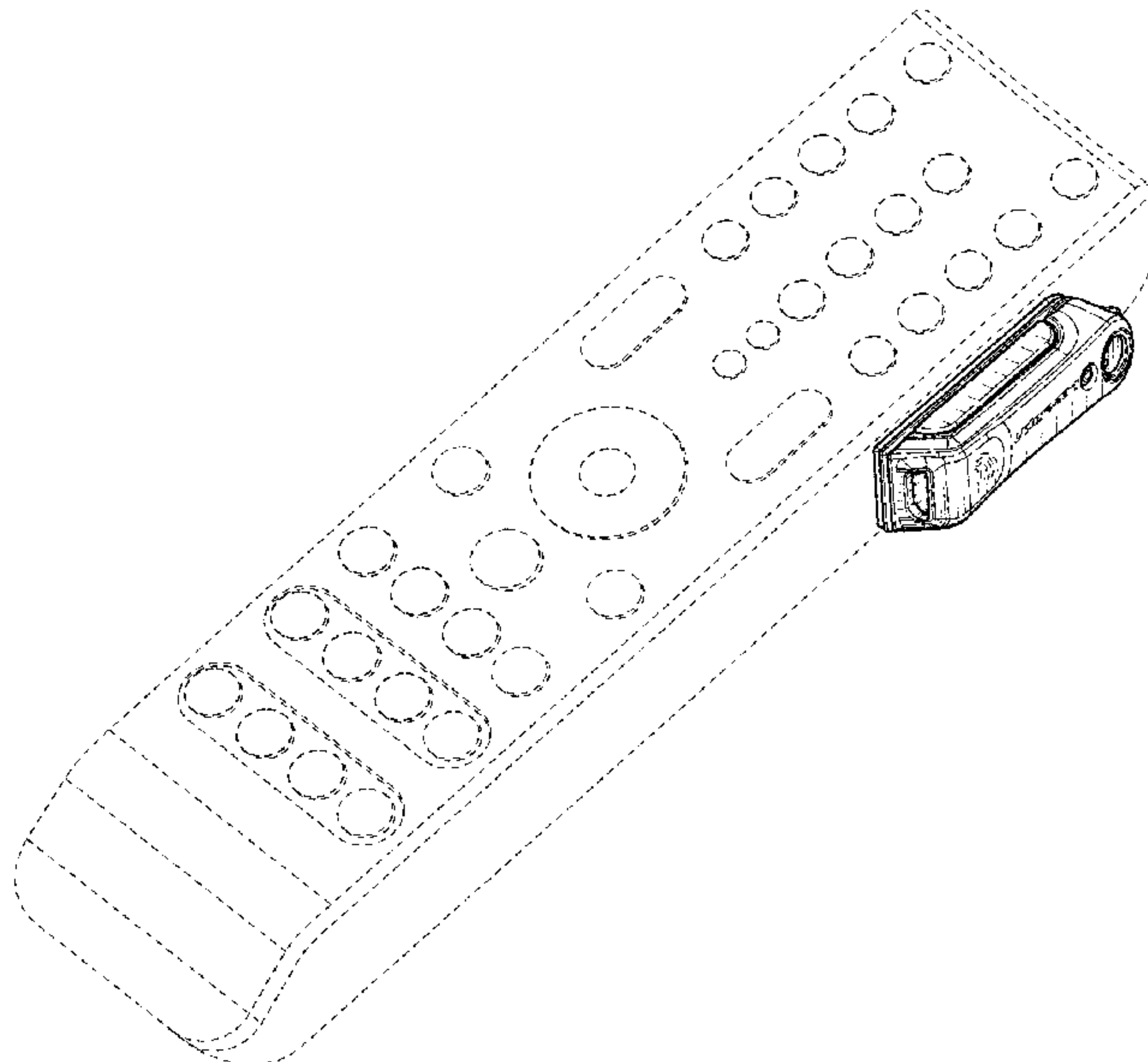
FIG. 11 is an exploded right perspective view of FIG. 3, a logo and text omitted for clarity of design;

FIG. 12 is an exploded right-side elevational view of FIG. 3; and,

FIG. 13 is an exploded left-side perspective view of FIG. 3.

The broken lines showing a remote control in FIGS. 1, 2 and 9 depict environmental matter and form no part of the claimed design. The remaining broken lines show portions of the flip-up light that form no part of the claimed design.

1 Claim, 10 Drawing Sheets



(56)

References Cited

U.S. PATENT DOCUMENTS

2007/0206379 A1* 9/2007 Lin F21V 21/0925
362/205
2008/0106891 A1* 5/2008 Lee F21V 21/0925
362/183
2017/0276323 A1* 9/2017 Umeda F21V 21/08
2019/0390851 A1* 12/2019 Sun F21L 4/04

* cited by examiner

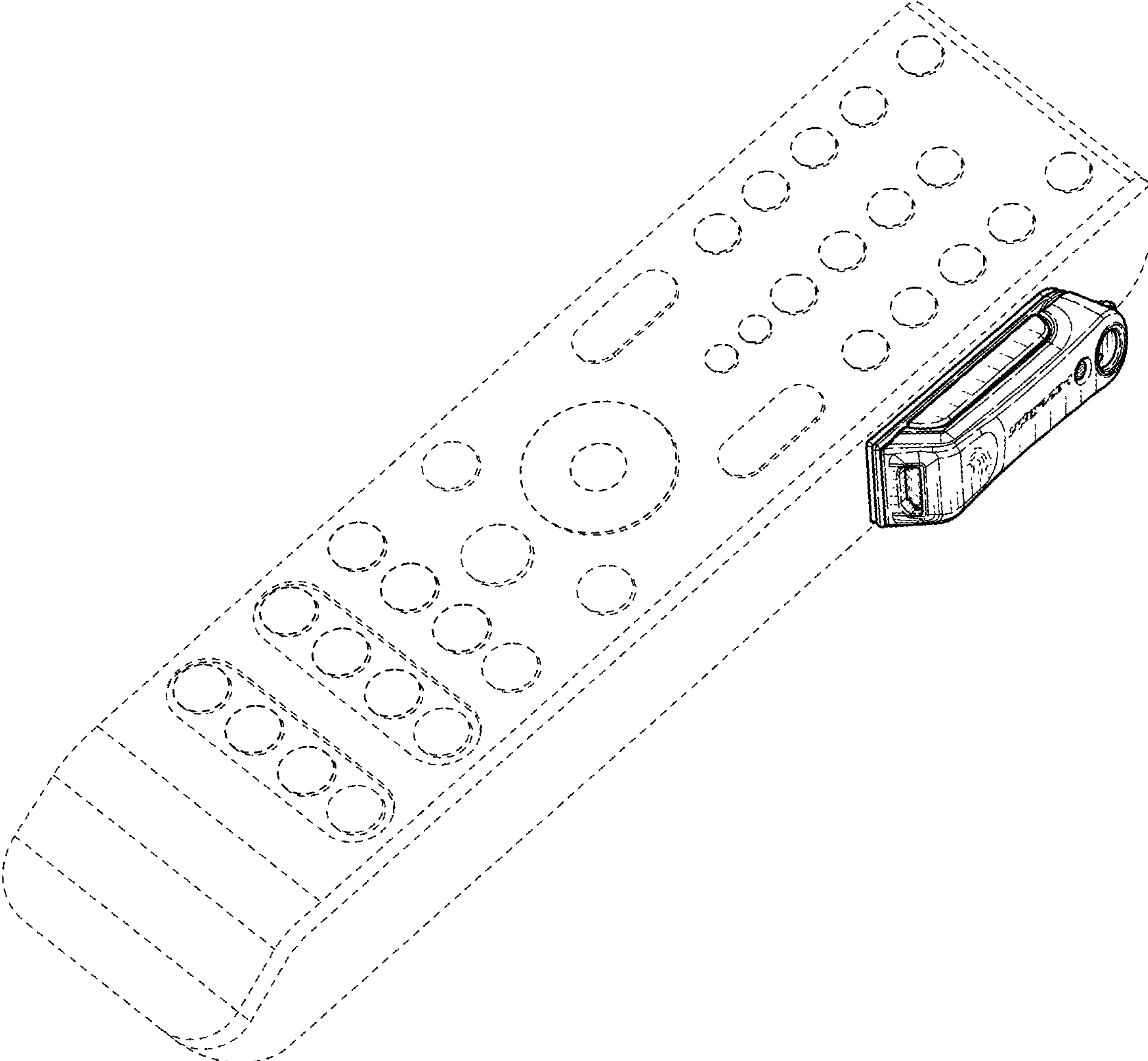


FIG. 1

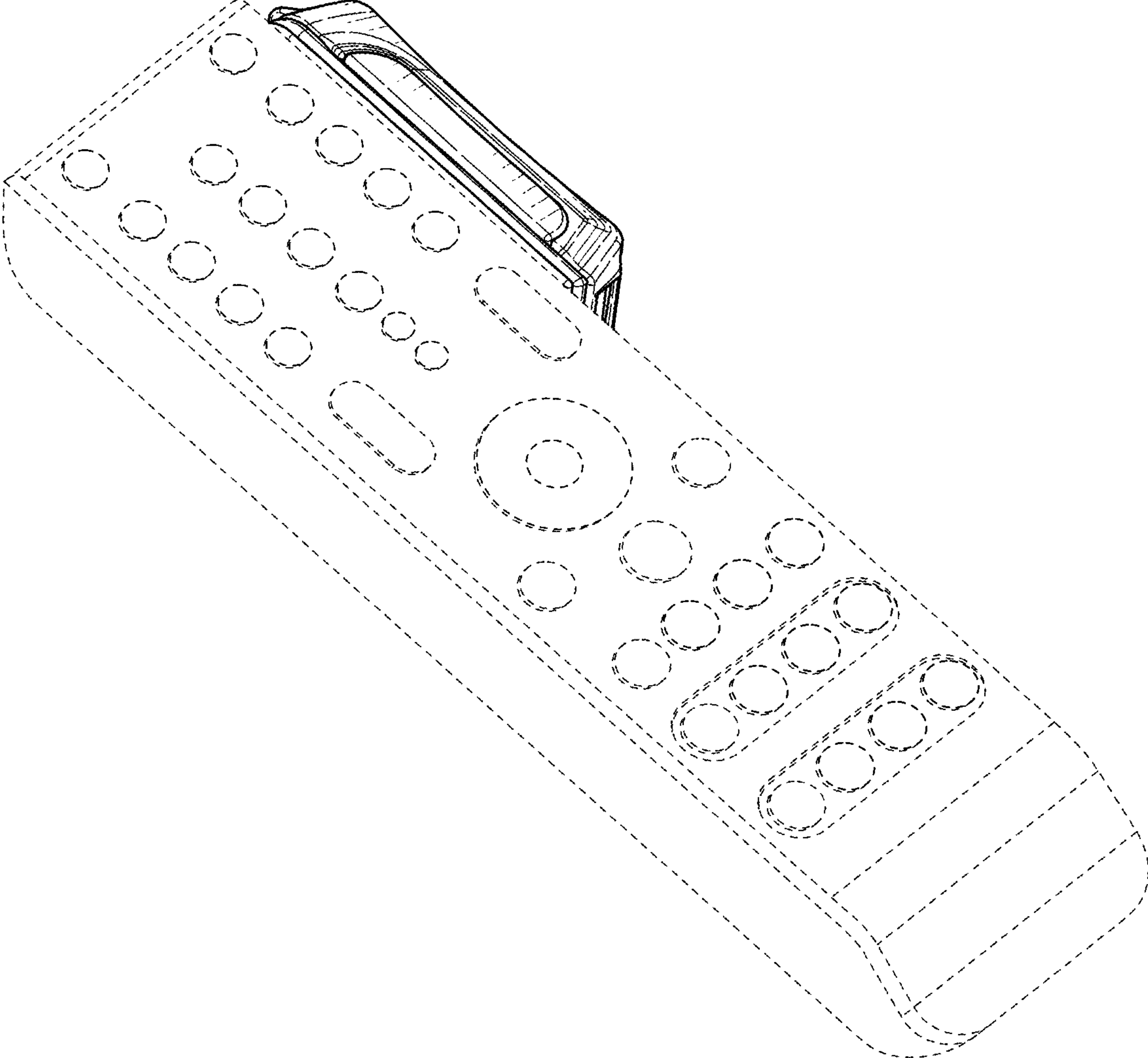


FIG. 2

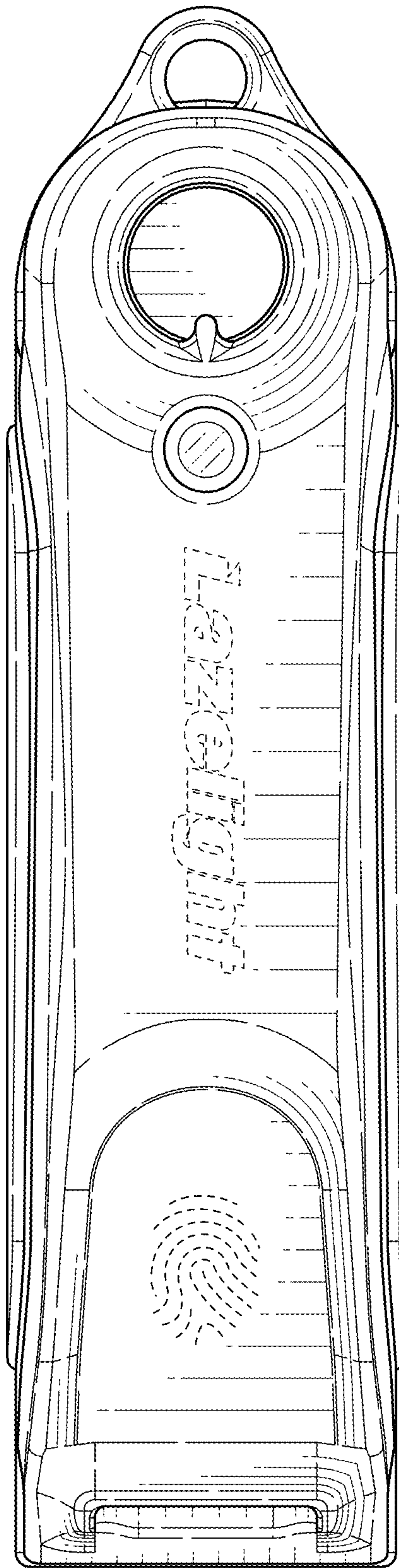


FIG. 3

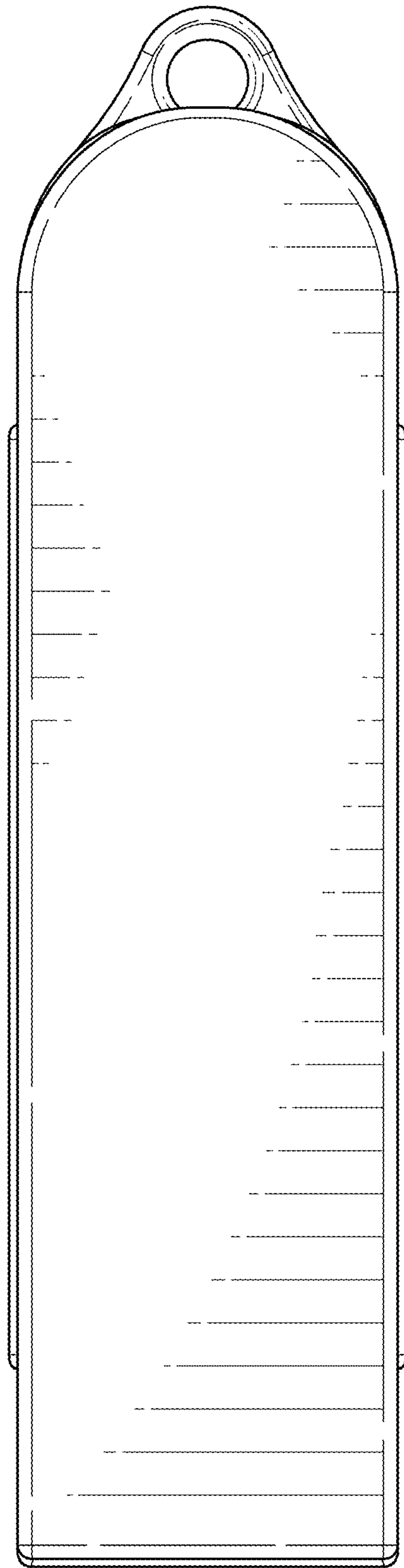


FIG. 4

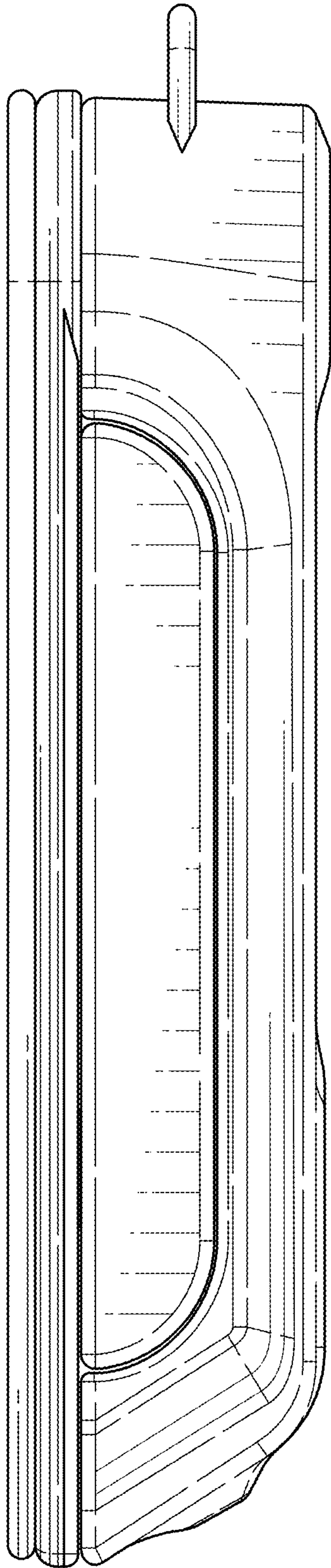


FIG. 5

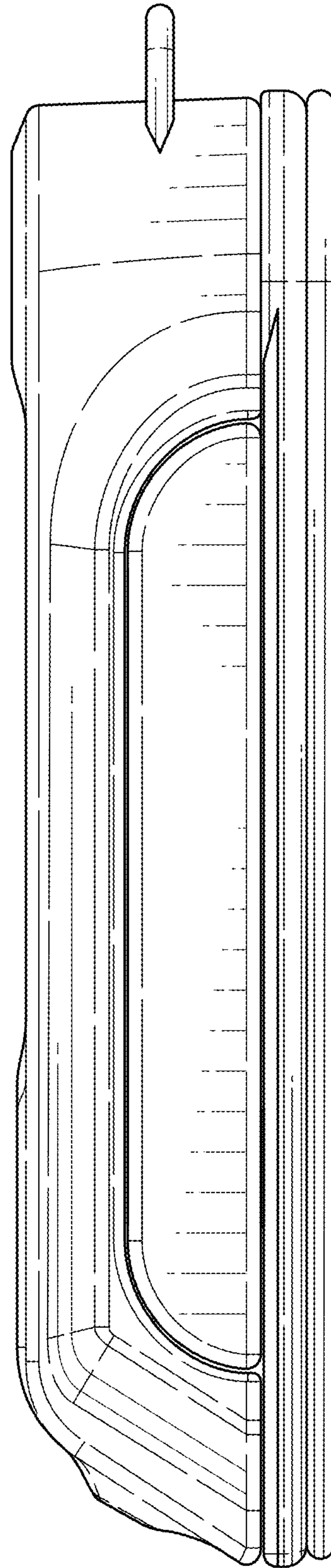


FIG. 6

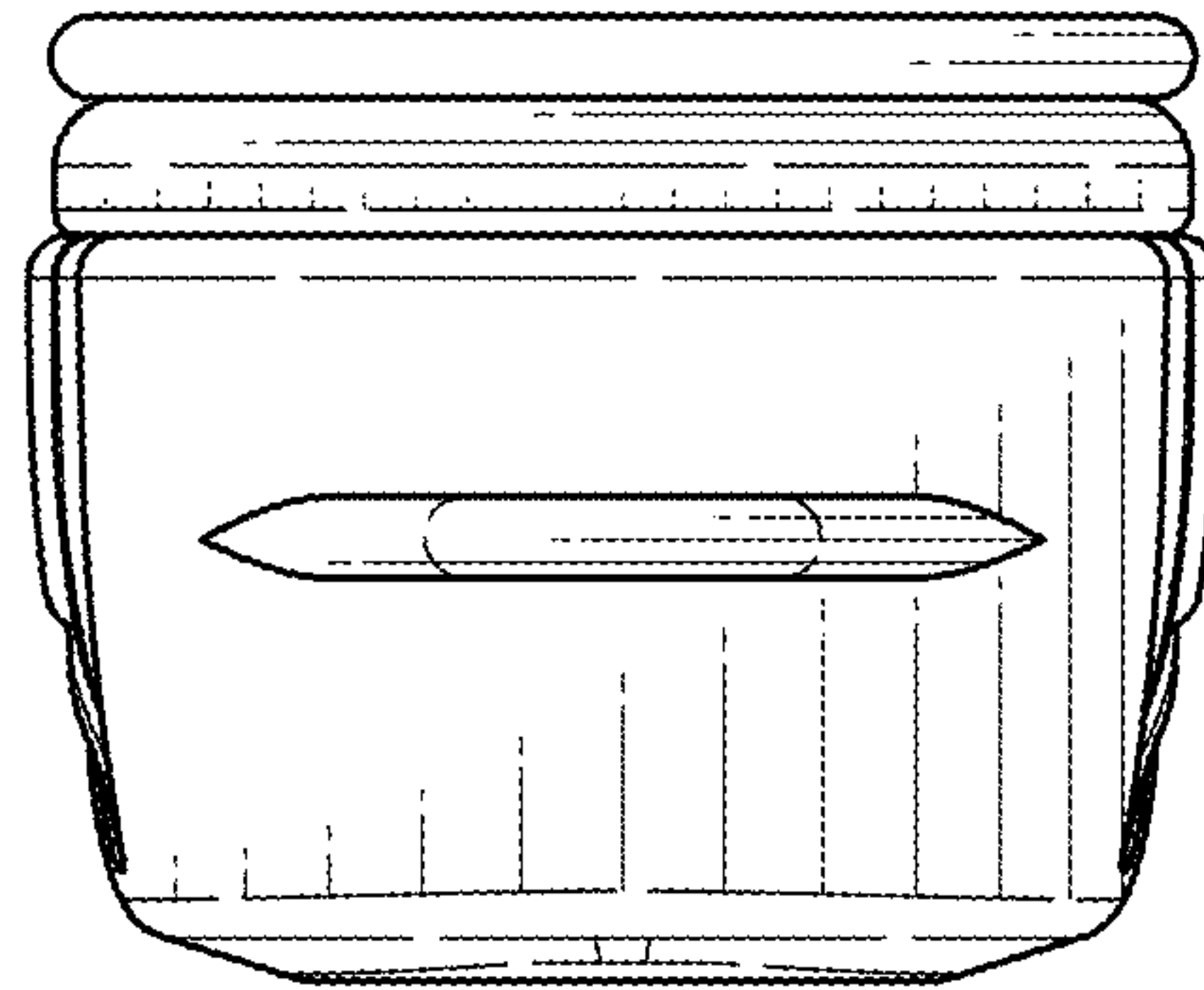


FIG. 7

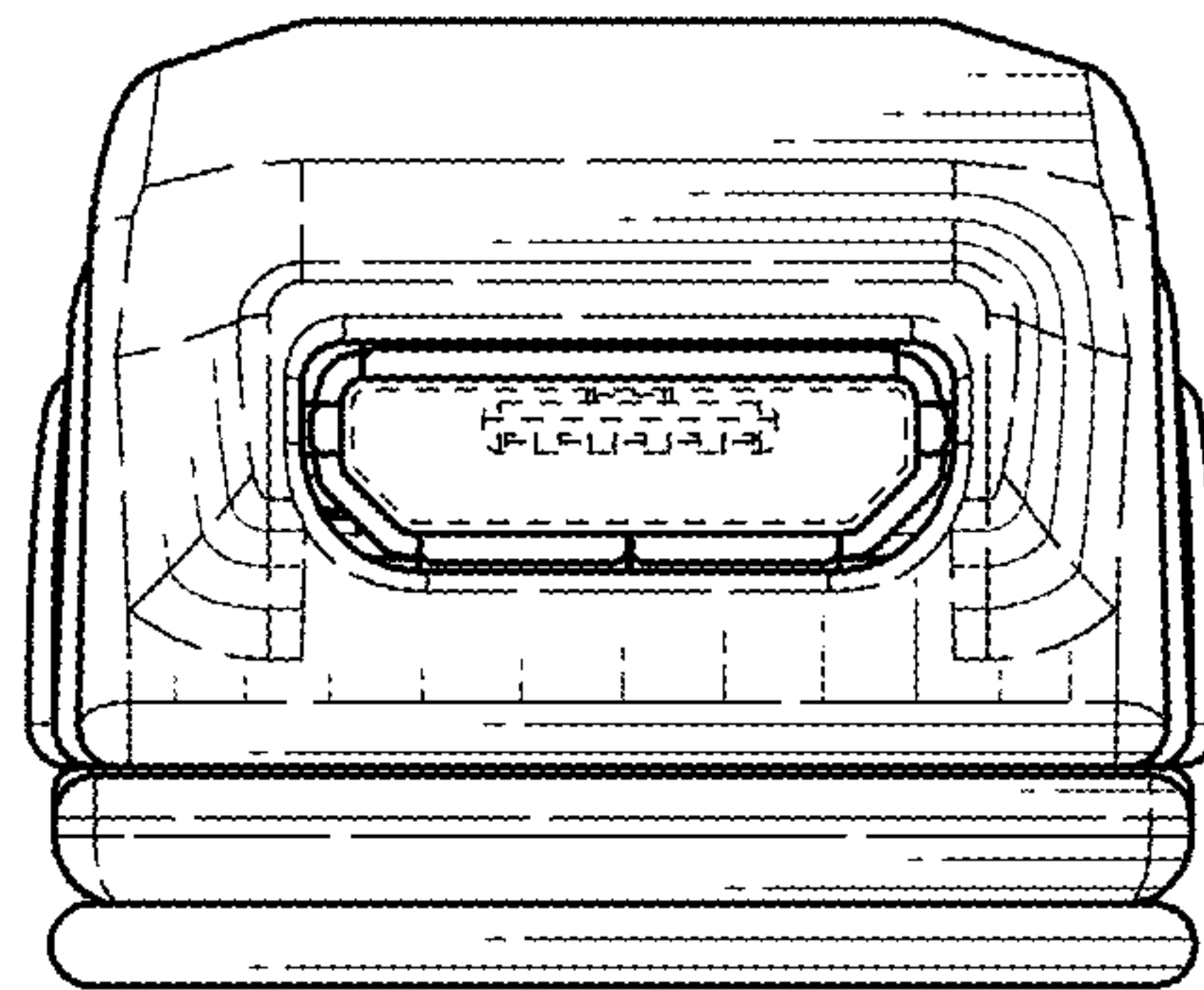


FIG. 8

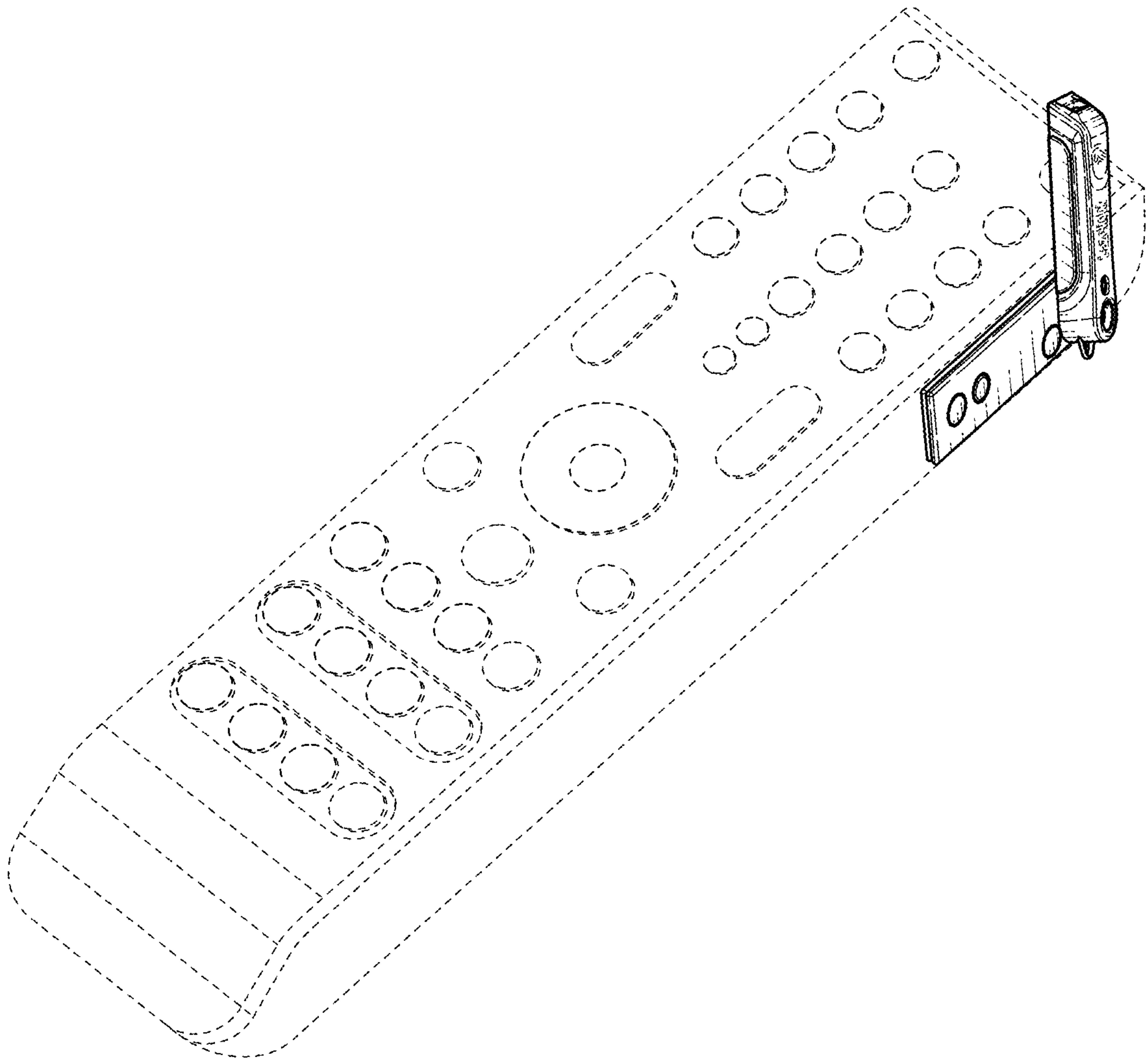


FIG. 9

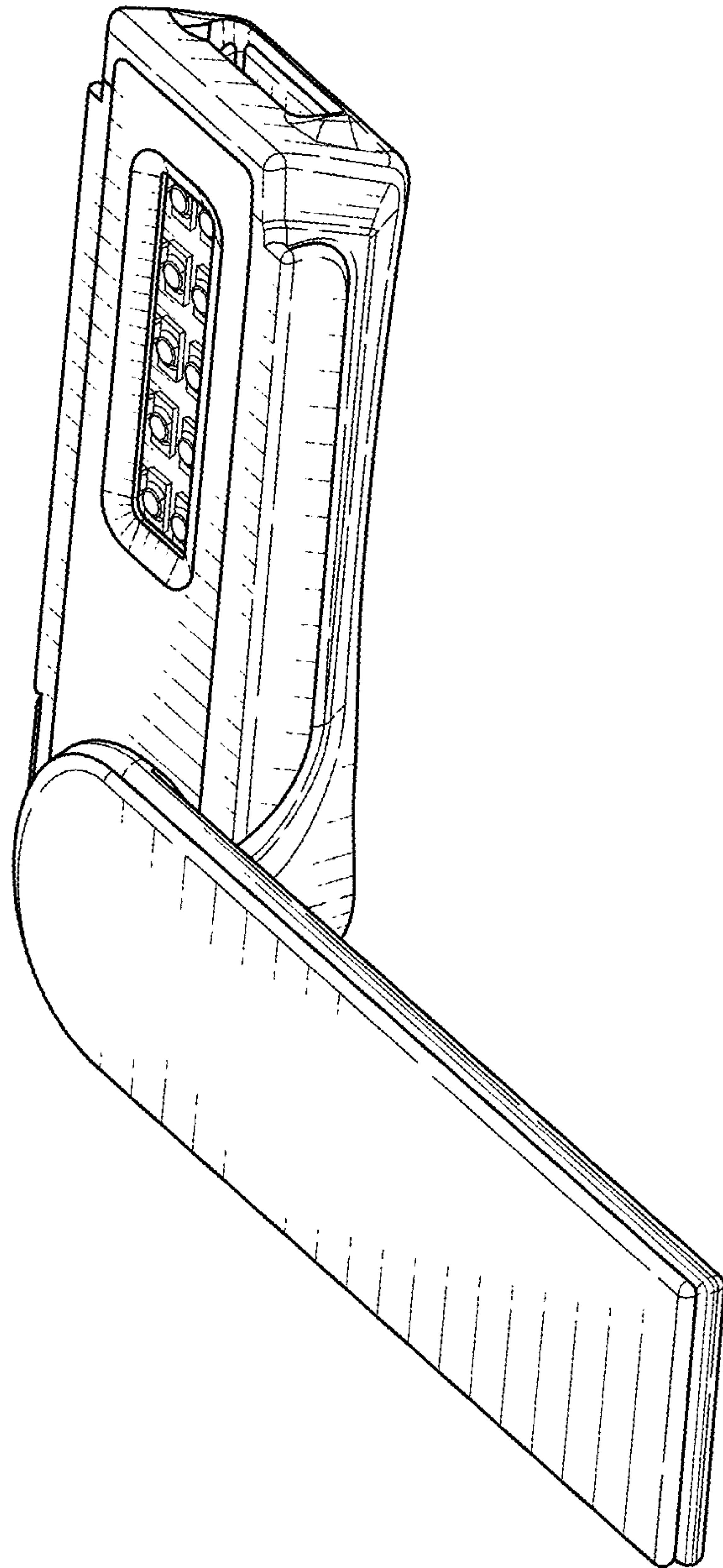


FIG. 10

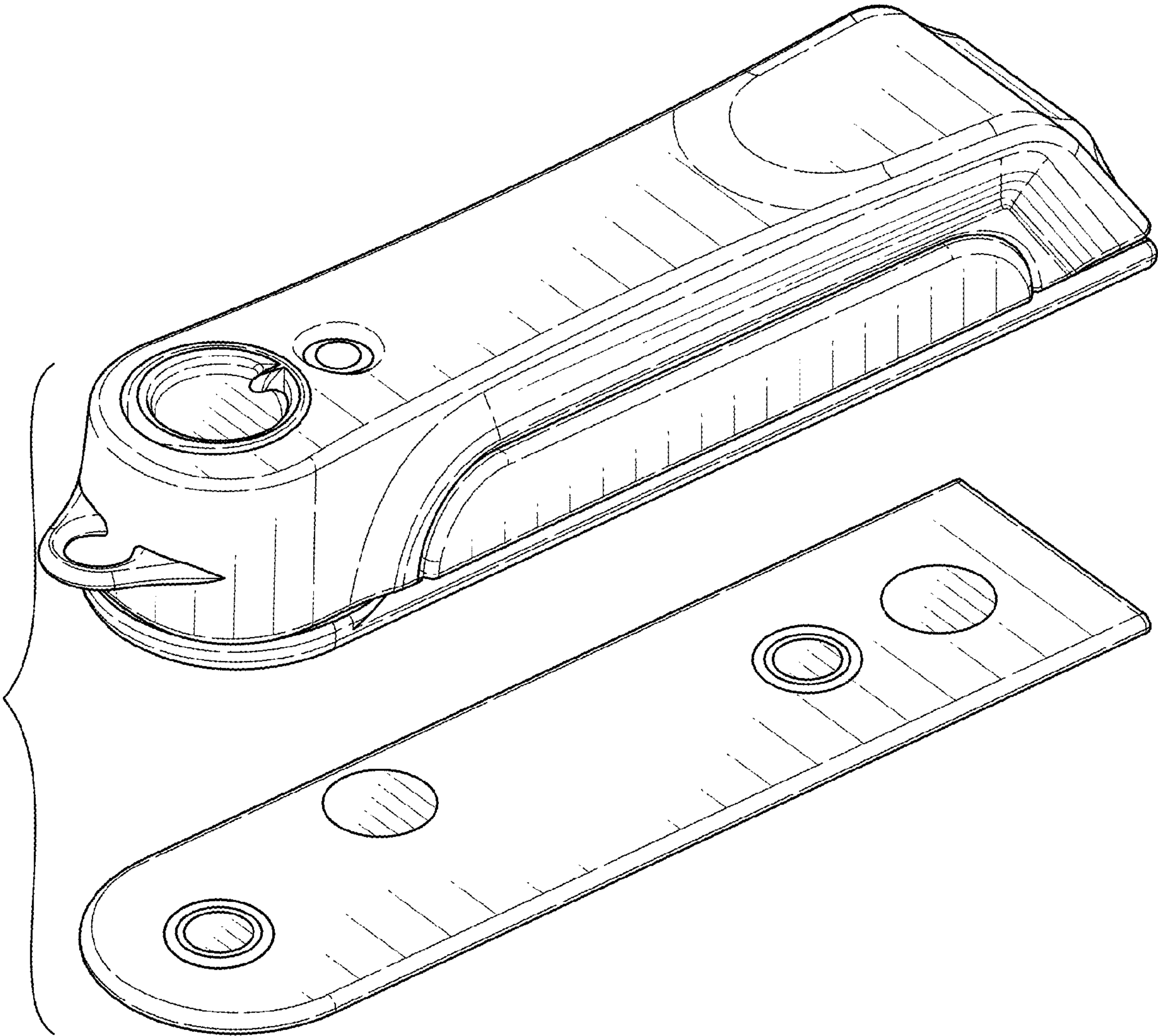


FIG. 11

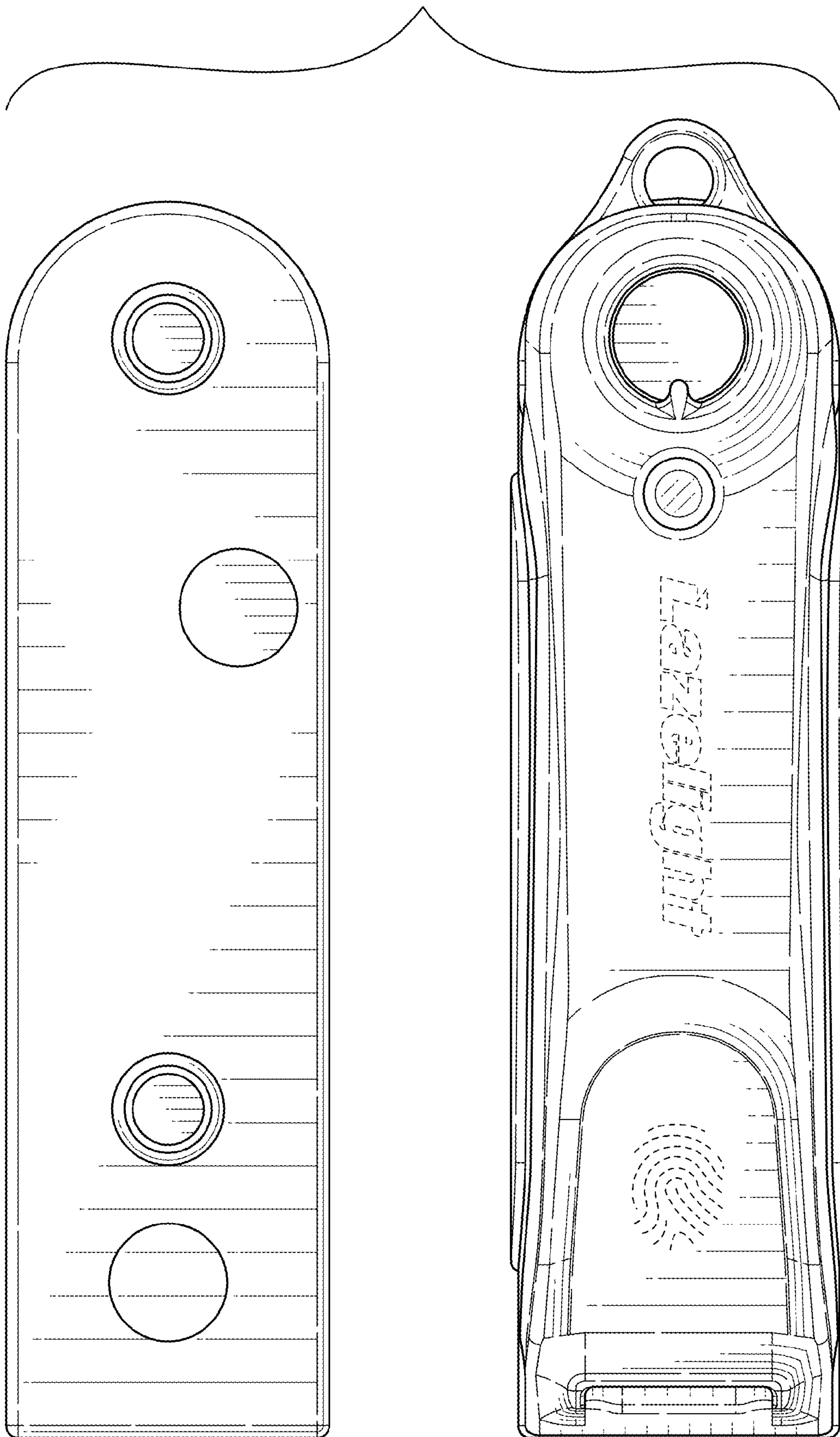


FIG. 12

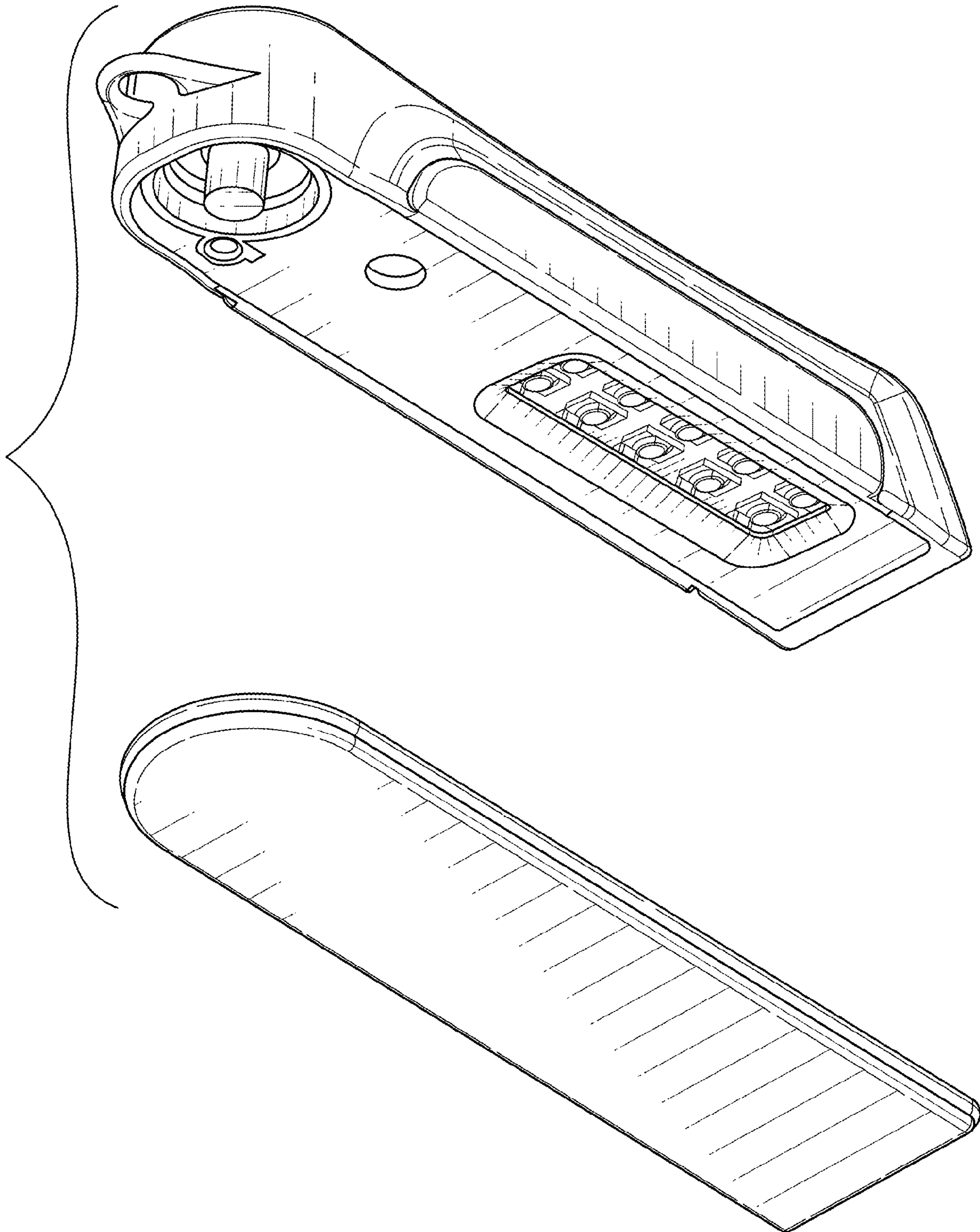


FIG. 13