



US00D961809S

(12) **United States Design Patent** (10) **Patent No.:** **US D961,809 S**
Stocks et al. (45) **Date of Patent:** **** Aug. 23, 2022**

(54) **ARCHITECTURAL PANEL**

13/072; E04F 13/074; E04F 13/075; E04F 13/076; E04F 13/078; E04F 13/08; E04F 13/26

(71) Applicant: **Smith & Fong Co.**, Novato, CA (US)

See application file for complete search history.

(72) Inventors: **Donald Angus Stocks**, Novato, CA (US); **Robin Reigi**, Staten Island, NY (US)

(56) **References Cited**

U.S. PATENT DOCUMENTS

(73) Assignee: **SMITH & FONG COMPANY**, Novato, CA (US)

3,674,620	A	*	7/1972	MCarthy et al.	B32B 23/06	D25/119
D939,733	S	*	12/2021	Stocks	D25/138	D25/138
D939,734	S	*	12/2021	Stocks	D25/138	D25/138
D939,735	S	*	12/2021	Stocks	D25/138	D25/138
D940,910	S	*	1/2022	Stocks	D25/138	D25/138

(**) Term: **15 Years**

* cited by examiner

(21) Appl. No.: **29/816,285**

Primary Examiner — Llorelys Martinez

(22) Filed: **Nov. 19, 2021**

(74) *Attorney, Agent, or Firm* — Steven R. Vosen

Related U.S. Application Data

(62) Division of application No. 29/713,727, filed on Nov. 18, 2019, now Pat. No. Des. 939,733.

(57) **CLAIM**

We claim the ornamental design for an architectural panel, as shown and described.

(51) **LOC (13) Cl.** **25-01**

DESCRIPTION

(52) **U.S. Cl.**

USPC **D25/138**

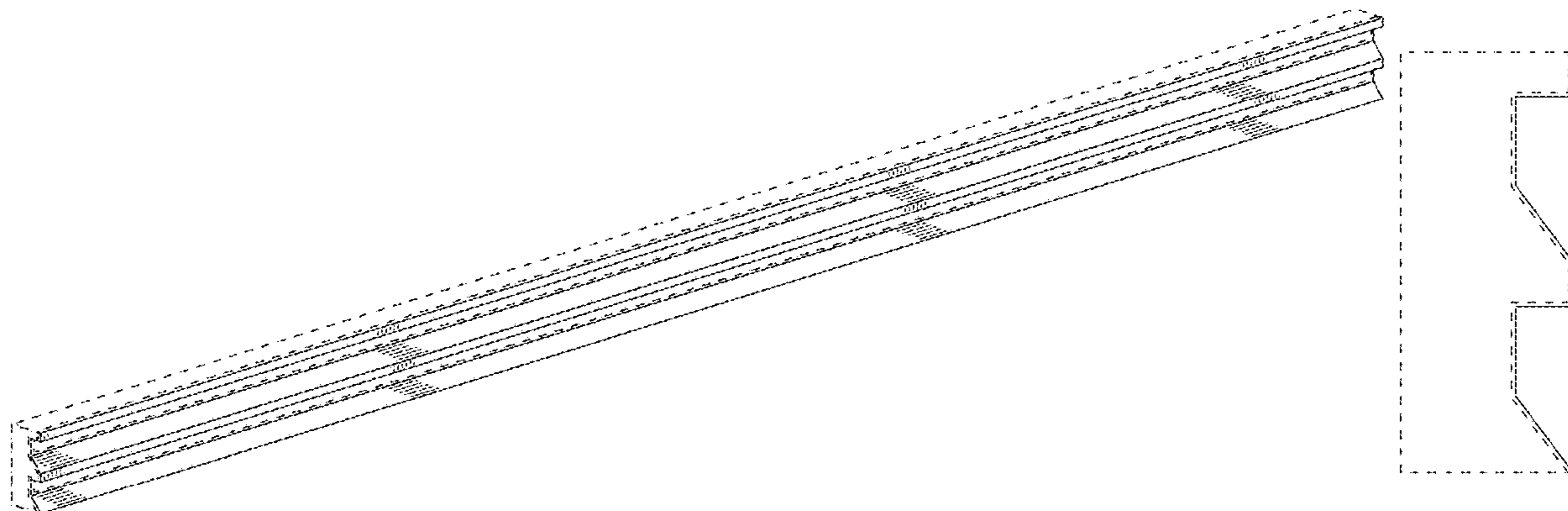
FIG. 1 is an upper front left perspective view of an architectural panel showing our new design; FIG. 2 is a front elevational view thereof; and, FIG. 3 is a left side elevational view thereof, the right side elevational view being a mirror image thereof. The broken lines in the drawings represent portions of the architectural panel that form no part of the claimed design.

(58) **Field of Classification Search**

USPC D25/119–125, 138, 139, 141–144, D25/159–162, 164

CPC E04D 1/02; E04D 1/06; E04D 1/18; E04D 1/24; E04D 1/26; E04D 1/265; E04D 2003/3617; E04D 3/00; E04D 3/02; E04D 3/04; E04D 3/16; E04D 3/361; E04D 3/368; E04F 13/00; E04F 13/007; E04F

1 Claim, 1 Drawing Sheet



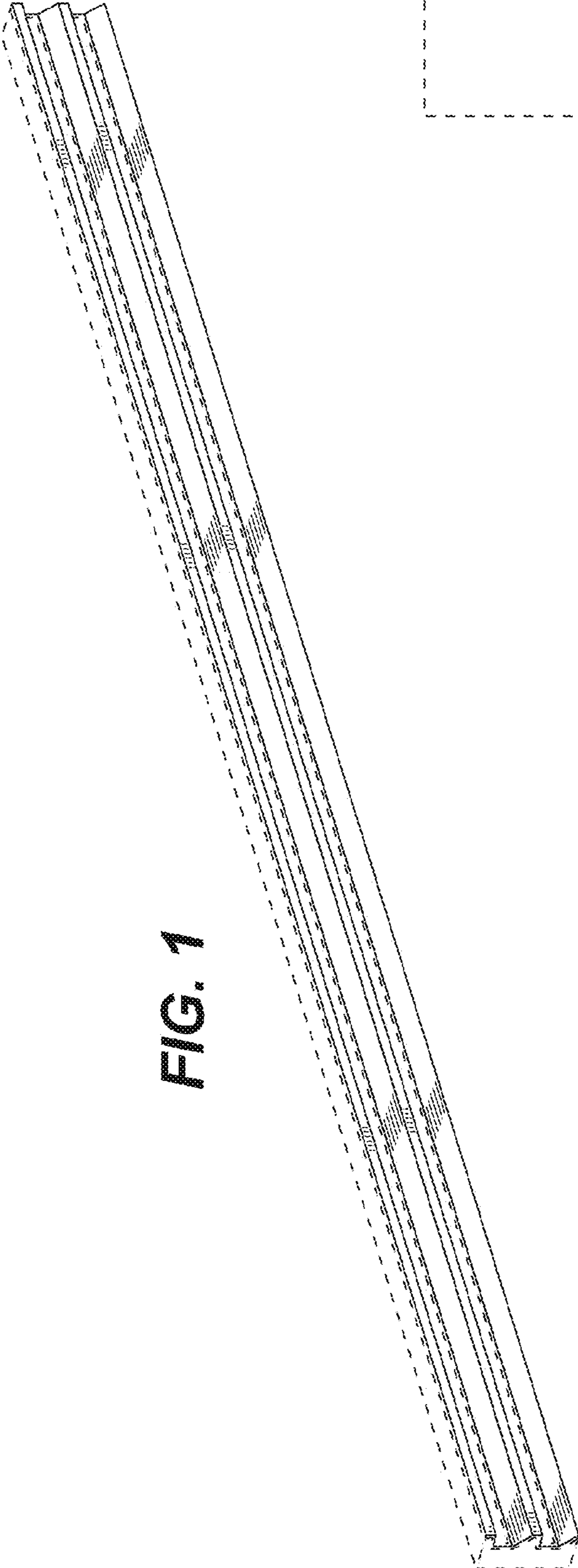


FIG. 1

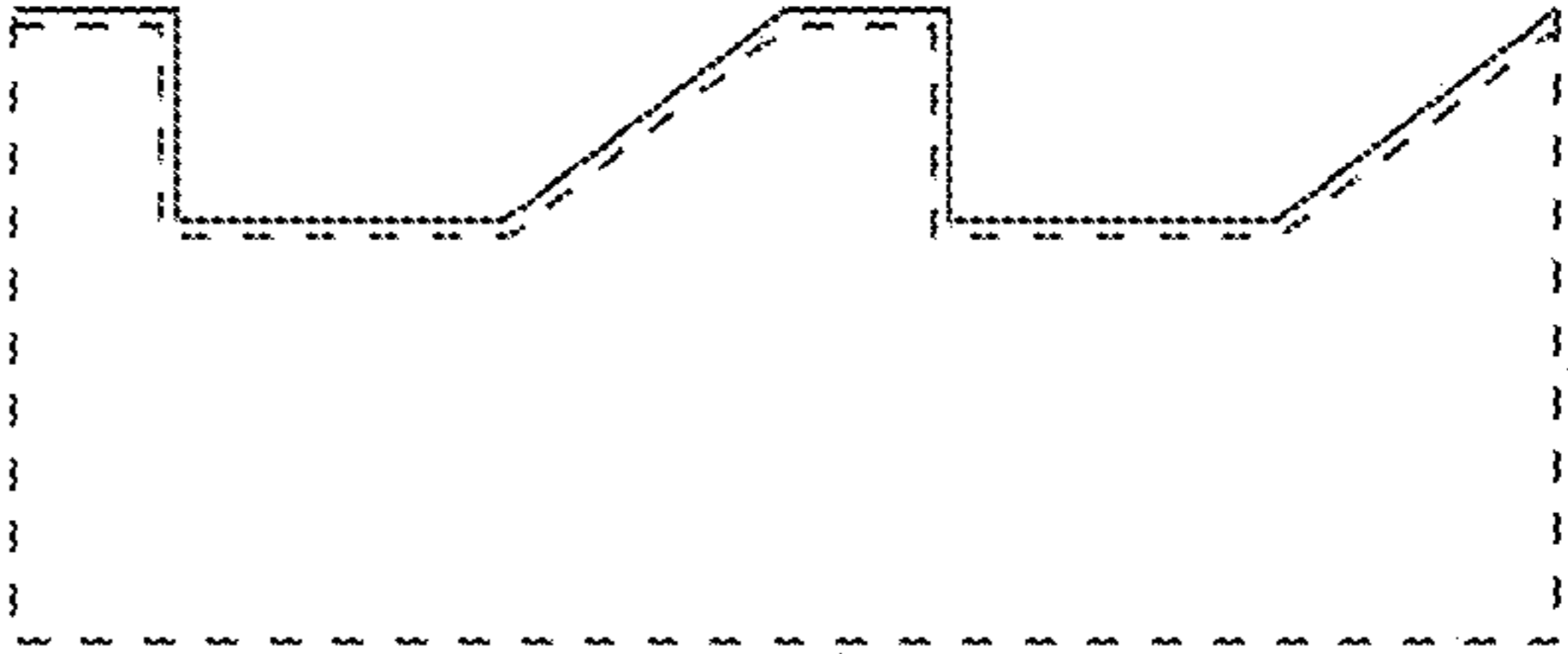


FIG. 3

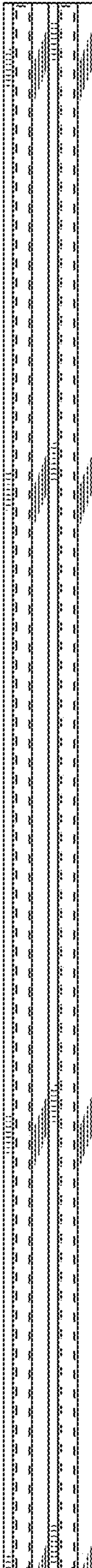


FIG. 2