



US00D961808S

(12) **United States Design Patent** (10) **Patent No.:** **US D961,808 S**
Stocks et al. (45) **Date of Patent:** **** Aug. 23, 2022**

(54) **ARCHITECTURAL PANEL**
(71) Applicant: **Smith & Fong Co.**, Novato, CA (US)
(72) Inventors: **Donald Angus Stocks**, Novato, CA (US); **Robin Reigi**, Staten Island, NY (US)
(73) Assignee: **SMITH & FONG COMPANY**, Novato, CA (US)
(**) Term: **15 Years**
(21) Appl. No.: **29/816,283**
(22) Filed: **Nov. 19, 2021**

13/072; E04F 13/074; E04F 13/075; E04F 13/076; E04F 13/078; E04F 13/08; E04F 13/26

See application file for complete search history.

(56) **References Cited**

U.S. PATENT DOCUMENTS

3,674,620 A * 7/1972 MCarthy et al. B32B 23/06 D25/119
D939,733 S * 12/2021 Stocks D25/138
D939,734 S * 12/2021 Stocks D25/138
D939,735 S * 12/2021 Stocks D25/138
D940,910 S * 1/2022 Stocks D25/138

* cited by examiner

Primary Examiner — Llorelys Martinez

(74) *Attorney, Agent, or Firm* — Steven R. Vosen

(57) **CLAIM**

We claim the ornamental design for an architectural panel, as shown and described.

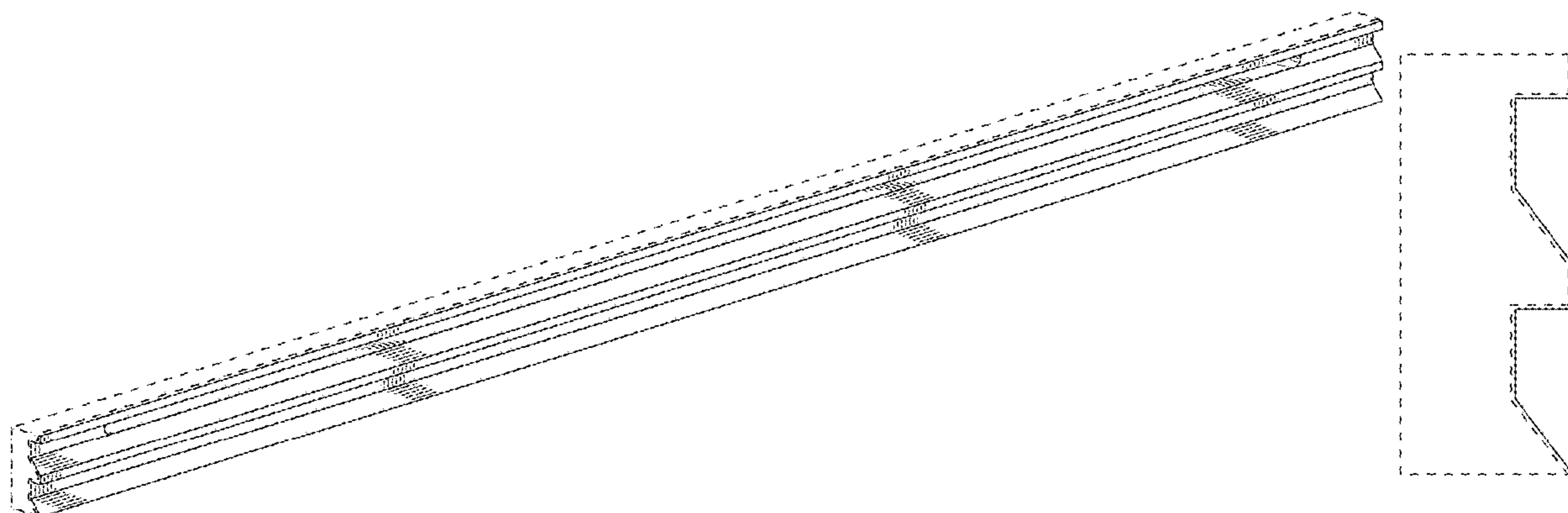
DESCRIPTION

FIG. 1 is an upper front left perspective view of an architectural panel showing our new design; FIG. 2 is a front elevational view thereof; FIG. 3 is a left side elevational view thereof, the right side elevational view being a mirror image thereof; and, FIG. 4 is a sectional view taken along line 2-2 of FIG. 2. The broken lines in the drawings represent portions of the architectural panel that form no part of the claimed design.

1 Claim, 1 Drawing Sheet

Related U.S. Application Data

(62) Division of application No. 29/713,727, filed on Nov. 18, 2019, now Pat. No. Des. 939,733.
(51) **LOC (13) Cl.** **25-01**
(52) **U.S. Cl.**
USPC **D25/138**
(58) **Field of Classification Search**
USPC D25/119–125, 138, 139, 141–144, D25/159–162, 164
CPC E04D 1/02; E04D 1/06; E04D 1/18; E04D 1/24; E04D 1/26; E04D 1/265; E04D 2003/3617; E04D 3/00; E04D 3/02; E04D 3/04; E04D 3/16; E04D 3/361; E04D 3/368; E04F 13/00; E04F 13/007; E04F



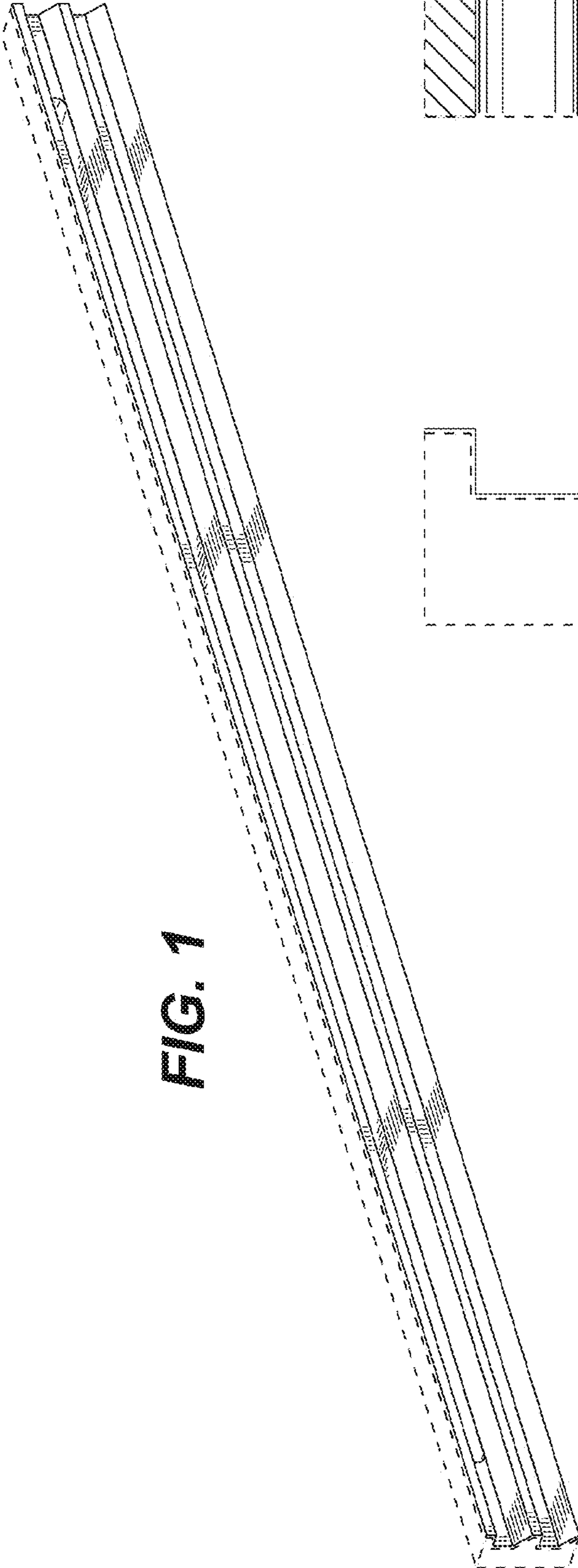


FIG. 1

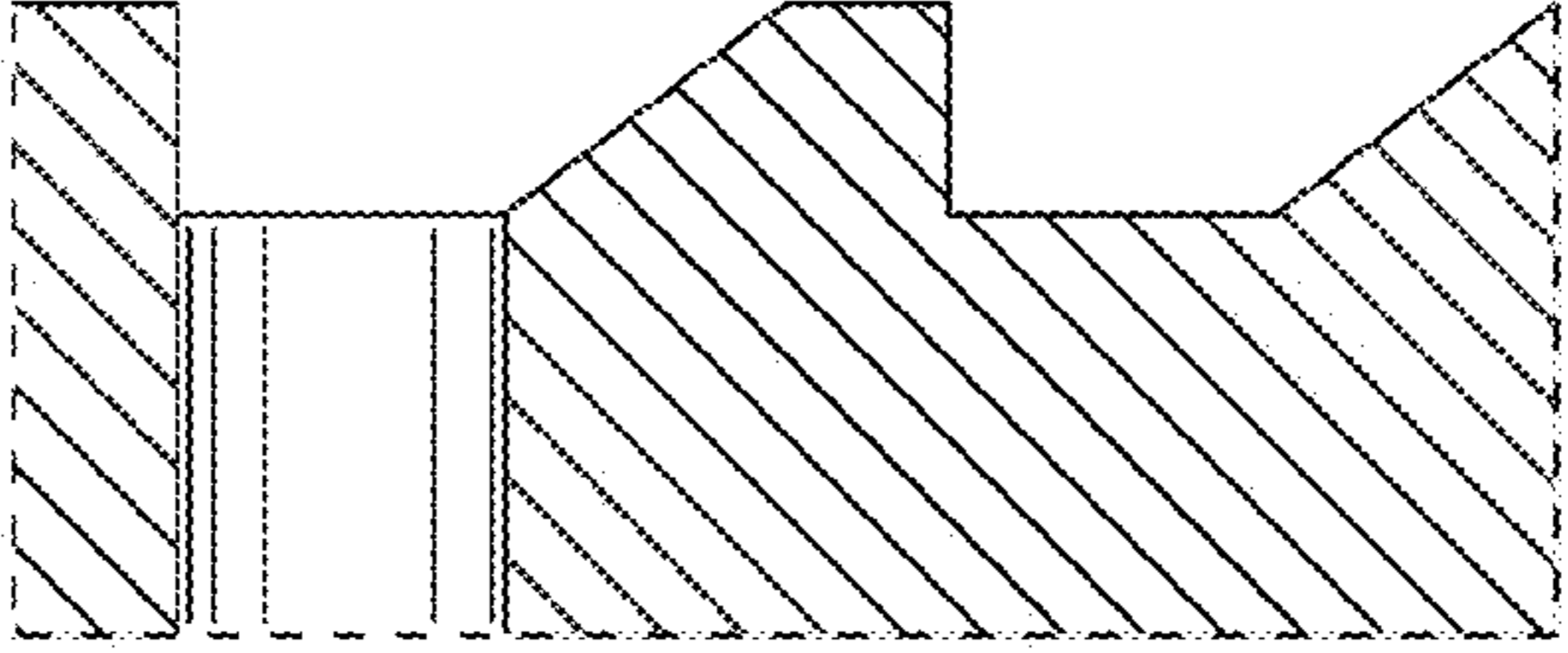


FIG. 4

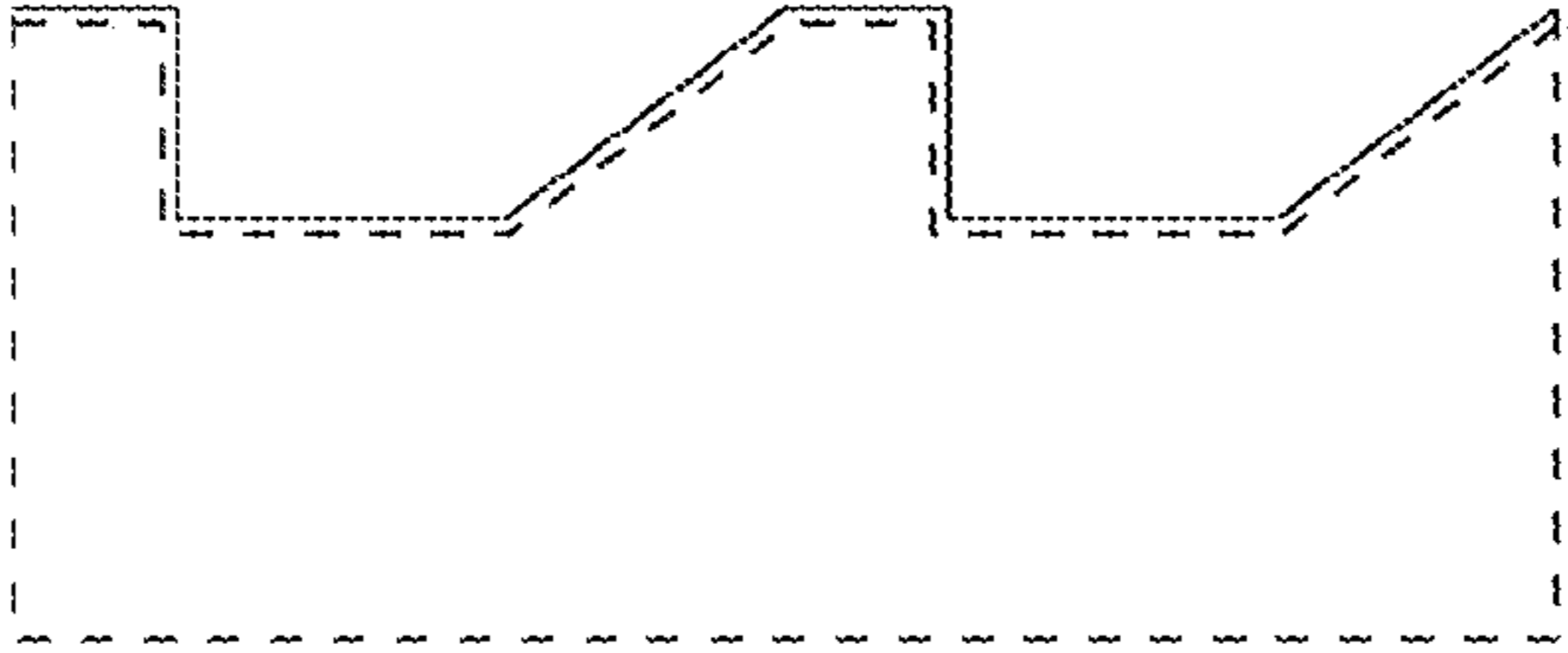


FIG. 3

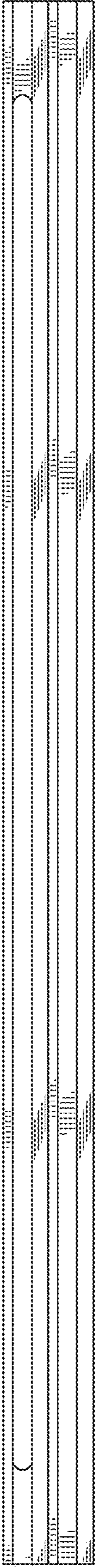


FIG. 2