



US00D961799S

(12) **United States Design Patent**
Ying

(10) **Patent No.:** **US D961,799 S**

(45) **Date of Patent:** **** Aug. 23, 2022**

(54) **MESSAGE GUN**

(71) Applicant: **Yongkang Aijiu Industry and Trade Co., Ltd., Jinhua (CN)**

(72) Inventor: **Min Ying, Jinhua (CN)**

(**) Term: **15 Years**

(21) Appl. No.: **29/786,322**

(22) Filed: **May 31, 2021**

(51) **LOC (13) Cl.** **28-03**

(52) **U.S. Cl.**

USPC **D24/215**

(58) **Field of Classification Search**

USPC D24/215, 200, 211, 212, 213, 214, 133,
D24/107, 231, 184; D8/14.1, 61;
D28/12, 13

CPC A61H 15/00; A61H 2015/0007; A61H
2015/0042; A61H 15/0092; A61H 23/00;
A61H 23/006; A61H 2023/002; A61H
23/06; A61H 23/02; A61H 2201/0153;
A61H 2201/0157; A61H 7/005; A61H
7/003; A61H 7/00; A61H 1/00; A61H
1/0008; A61H 15/0078; A61H 15/0085;
A61H 23/04

See application file for complete search history.

(56) **References Cited**

U.S. PATENT DOCUMENTS

D411,947 S *	7/1999	Sugimoto	D8/68
D843,656 S	3/2019	Zhang et al.		
D844,896 S	4/2019	Levi et al.		
D855,822 S	8/2019	Marton et al.		
D875,961 S *	2/2020	Li	D24/211
D884,207 S *	5/2020	Ma	D24/215
D893,738 S	8/2020	Zhuang		
D895,831 S *	9/2020	Chen	D24/215
D899,620 S *	10/2020	Huang	D24/215
D906,533 S *	12/2020	Xu	D24/215

D908,908 S *	1/2021	Xu	D24/215
D918,408 S *	5/2021	Huang	D24/215
D939,103 S *	12/2021	Xu	D24/215
D939,724 S *	12/2021	Hu	D24/215
D940,892 S *	1/2022	Shen	D24/215

(Continued)

OTHER PUBLICATIONS

Dicfeos—Massage Gun. Date: Mar. 3, 2021. [online]. [Site visited Feb. 12, 2022]. Available from Internet URL: <https://www.amazon.com/dp/B08XWWRQF/> (Year: 2021).*

(Continued)

Primary Examiner — Susan Bennett Hattan

Assistant Examiner — Landon Thomas Cassell

(74) *Attorney, Agent, or Firm* — Rumit Ranjit Kanakia

(57) **CLAIM**

The ornamental design for a massage gun, as shown and described.

DESCRIPTION

FIG. 1 is a perspective view of a massage gun showing my new design;

FIG. 2 is a front view thereof;

FIG. 3 is a back view thereof;

FIG. 4 is a right-side view thereof;

FIG. 5 is a left-side view thereof;

FIG. 6 is a top view thereof;

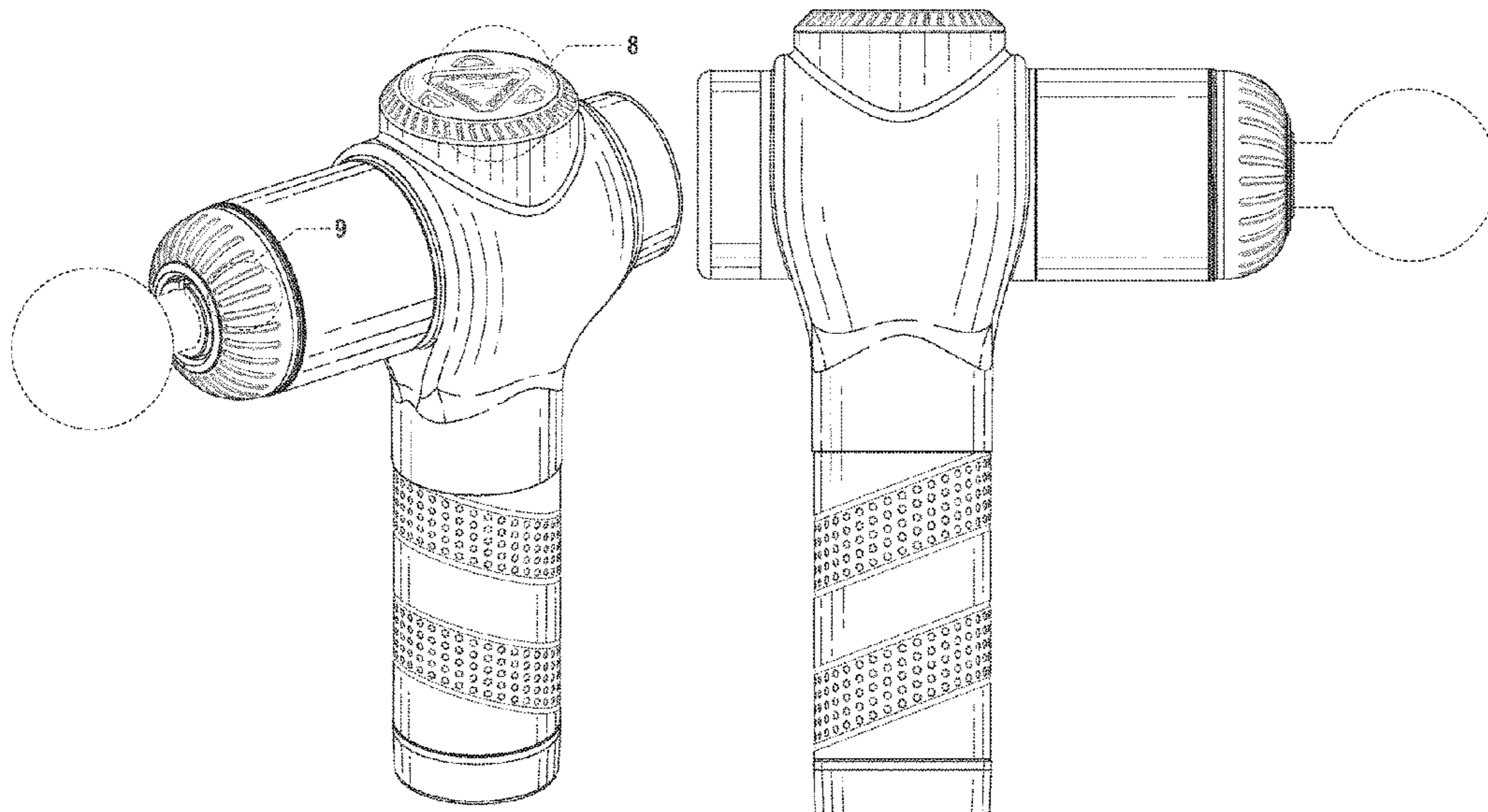
FIG. 7 is a bottom view thereof;

FIG. 8 is a partially enlarged perspective view taken from area 8 in FIG. 1; and,

FIG. 9 is a partially enlarged perspective view taken from area 9 in FIG. 1.

The broken lines in the drawings depict portions of the massage gun that form no part of the claimed design. Broken lines are used in FIG. 1, 8, and 9 to indicate enlarged views of the drawings and form no part of the claimed design.

1 Claim, 8 Drawing Sheets



(56)

References Cited

U.S. PATENT DOCUMENTS

D943,202 S * 2/2022 Moon D28/13
2019/0254922 A1 * 8/2019 Marton A61H 23/006

OTHER PUBLICATIONS

Infinity—Percussion Massage Device. Date: May 13, 2021. [online].
[Site visited Feb. 12, 2022]. Available from Internet URL: <https://www.amazon.com/dp/B094PSN9ZX/> (Year: 2021).*

Massage guns. (Design—© Questel) orbit.com. [Online PDF compilation of references] 44 pgs. Print Dates Range Apr. 3, 2020-May 11, 2021 [Retrieved Feb. 25, 2022] <https://www.orbit.com/export/UCZAH96B/pdf4/56088dce-a520-4667-943c-de001def522e-203057.pdf> (Year: 2022).*

Dicfeos, Dicfeos Massage Gun, Deep Tissue Percussion Muscle Massager for Pain Relief and Sore Muscle, Long Battery Life, 30 Speeds, 10 Replaceable Massage Heads, Mar. 3, 2021, Amazon, <https://www.amazon.com/dp/B08XWWPRQF/> (Last accessed: Jun. 10, 2022).

* cited by examiner

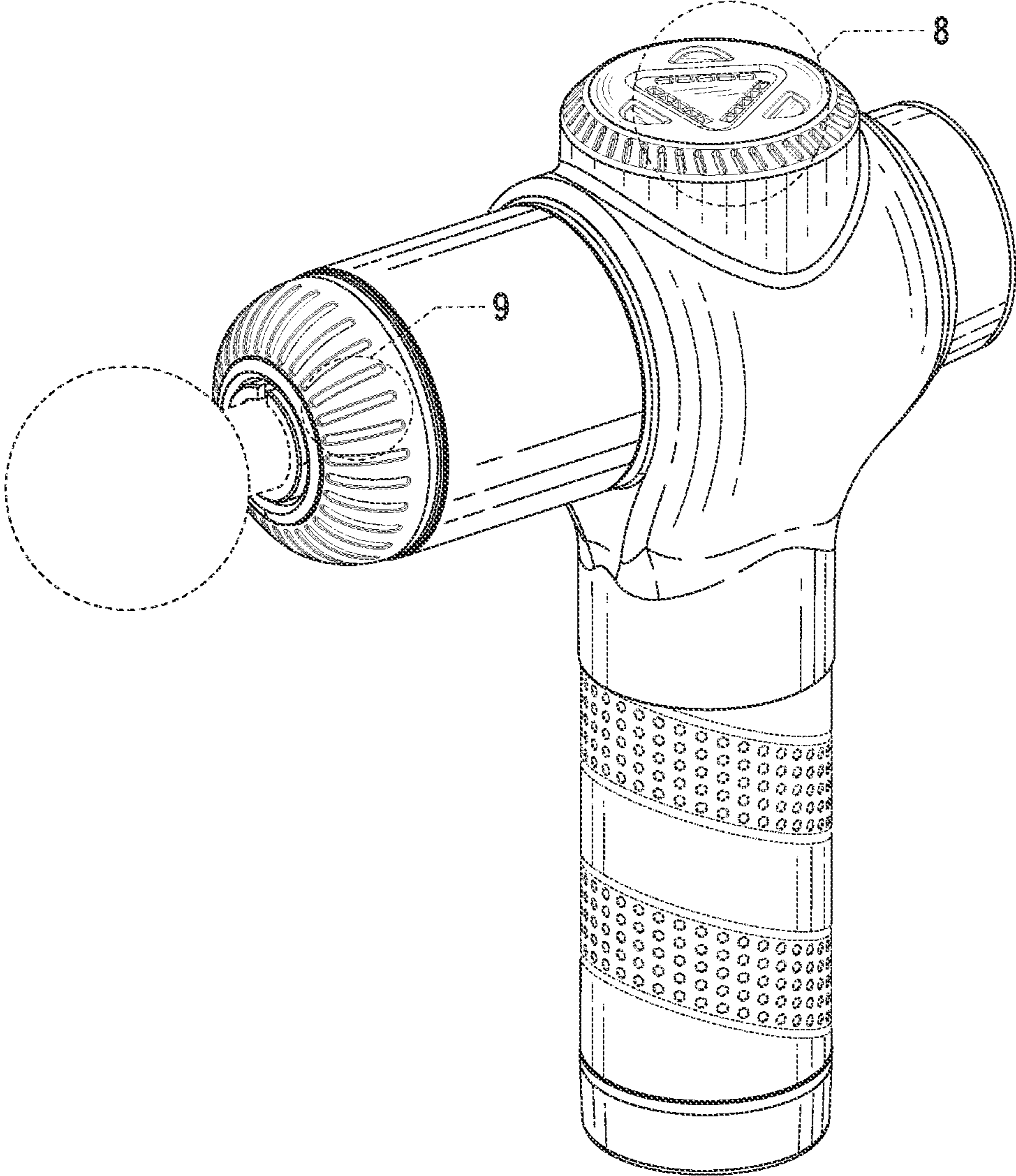


FIG.1

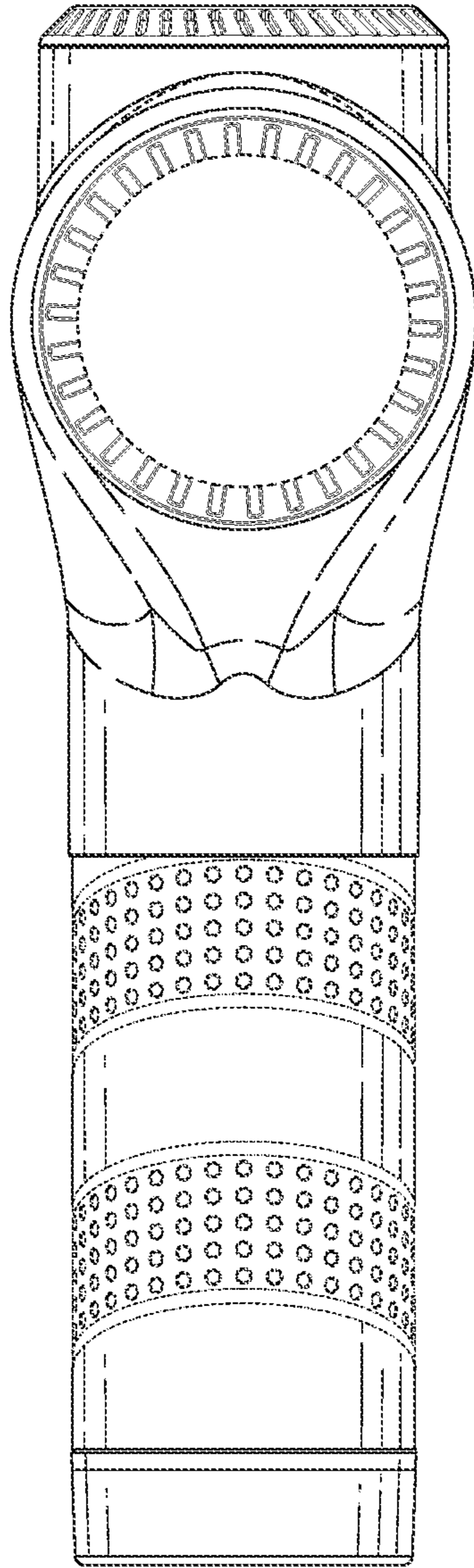


FIG.2

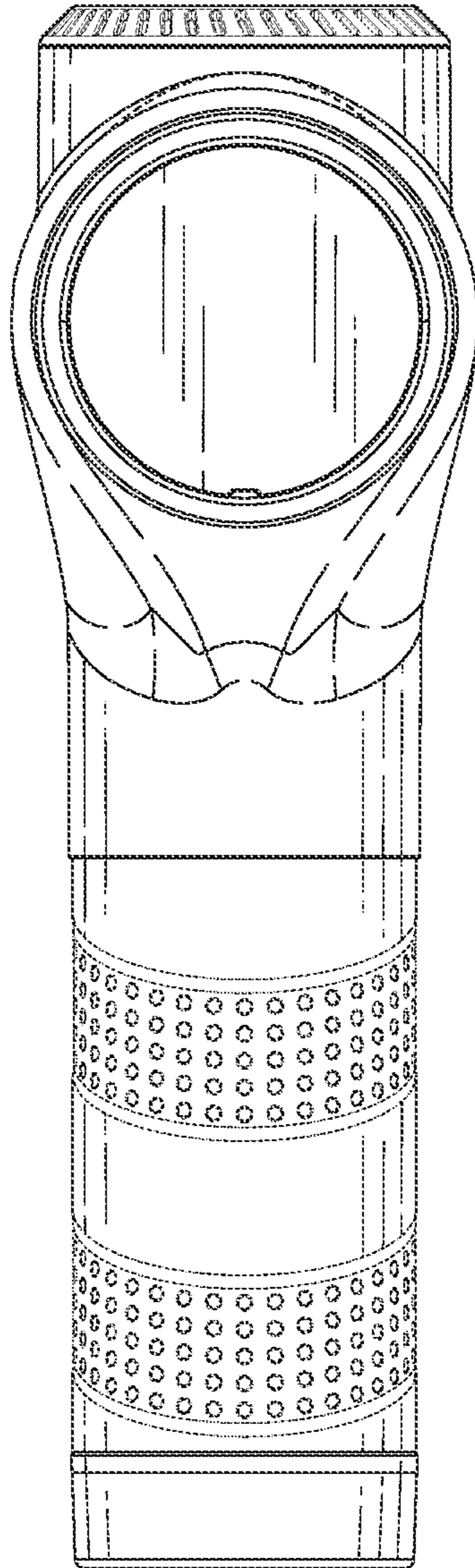


FIG.3

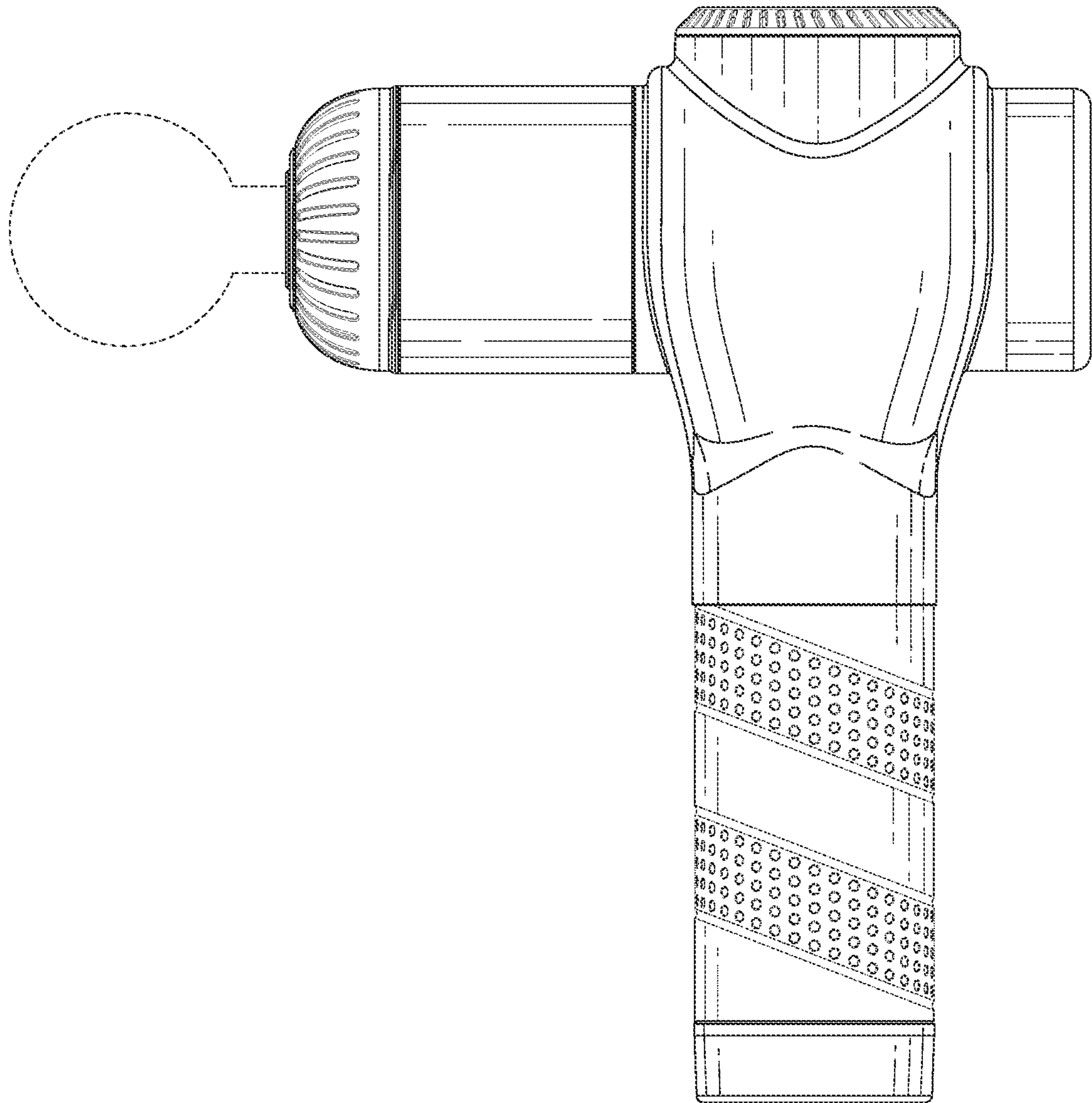


FIG.4

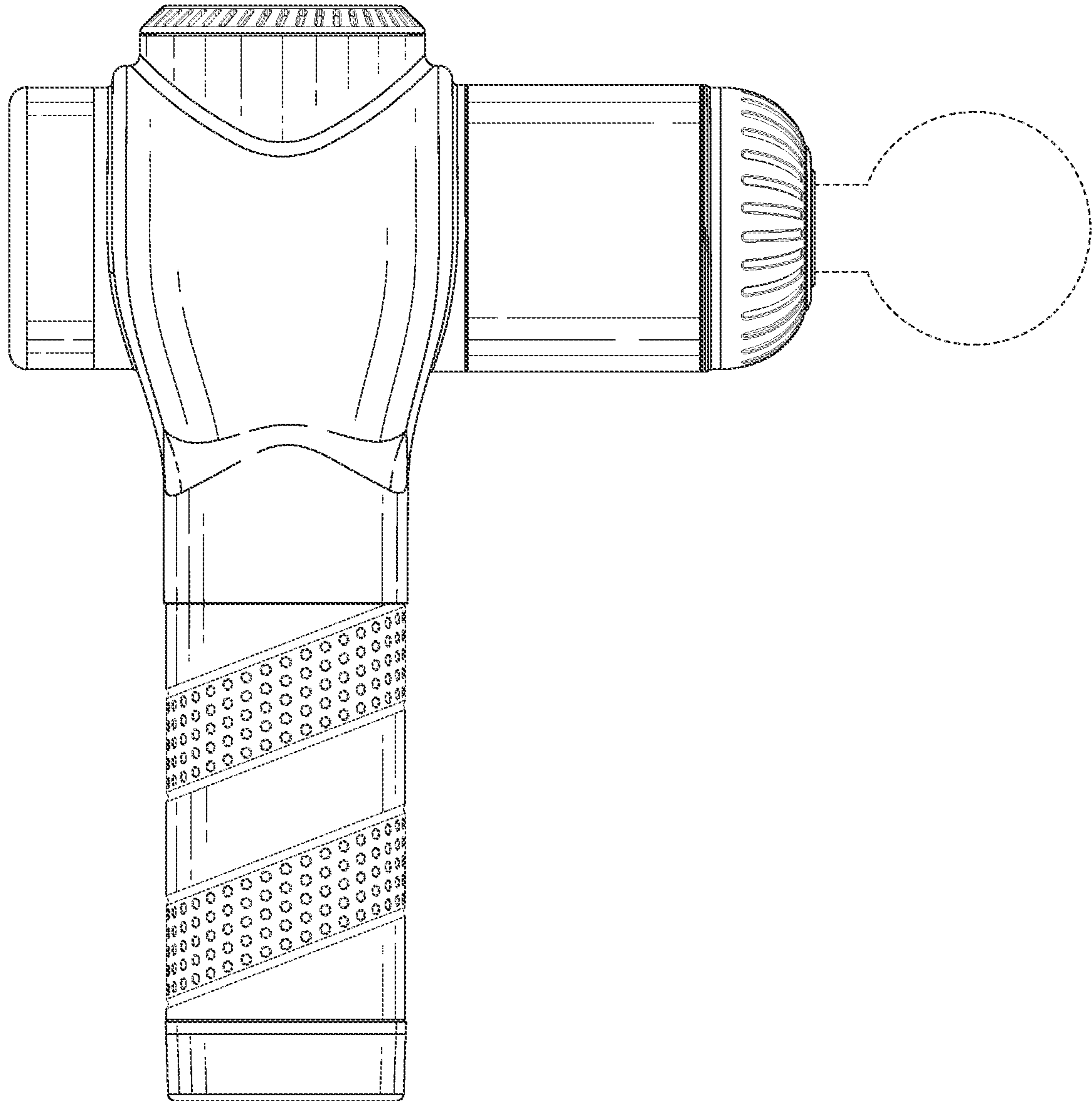


FIG.5

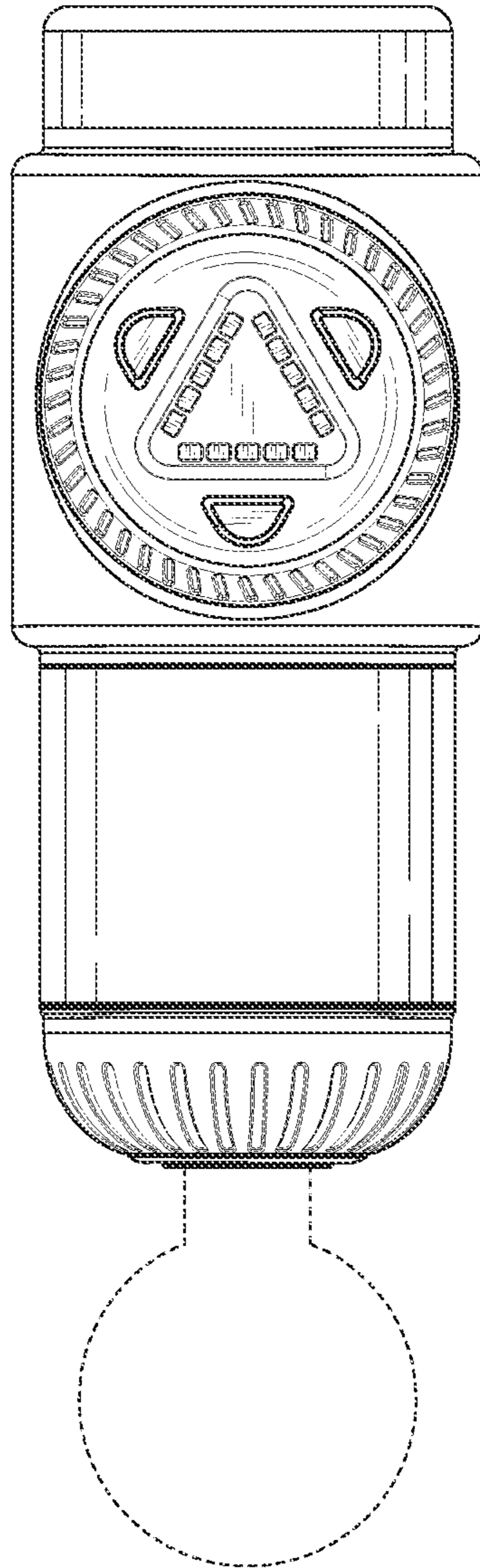


FIG.6

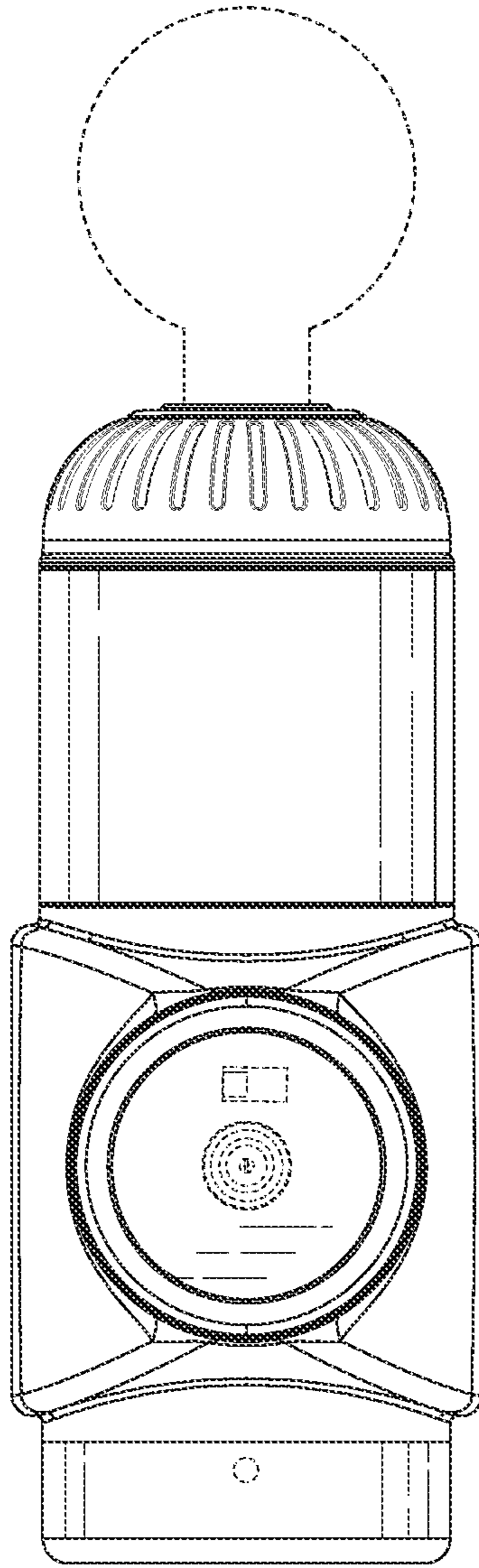


FIG.7

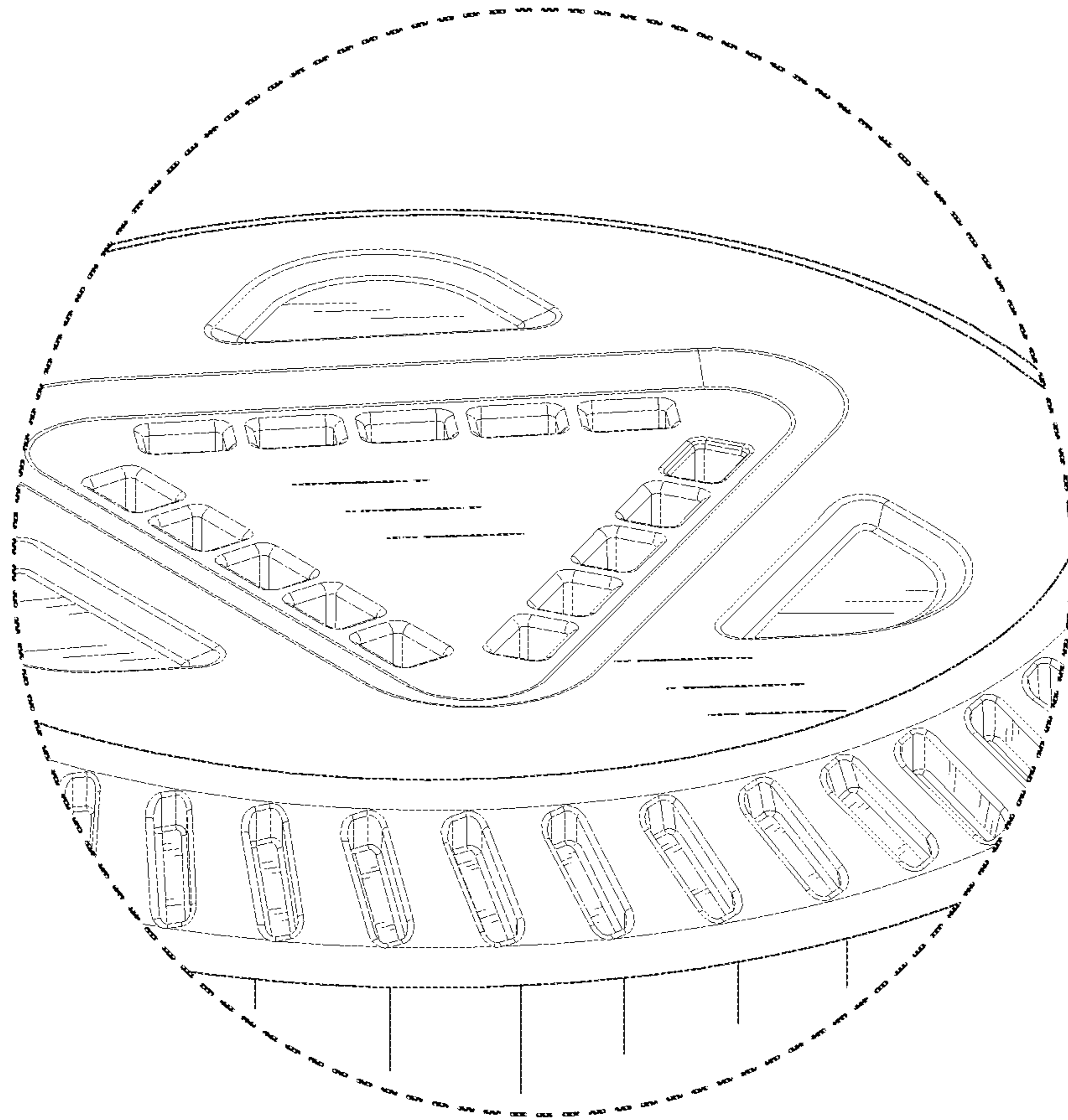


FIG. 8

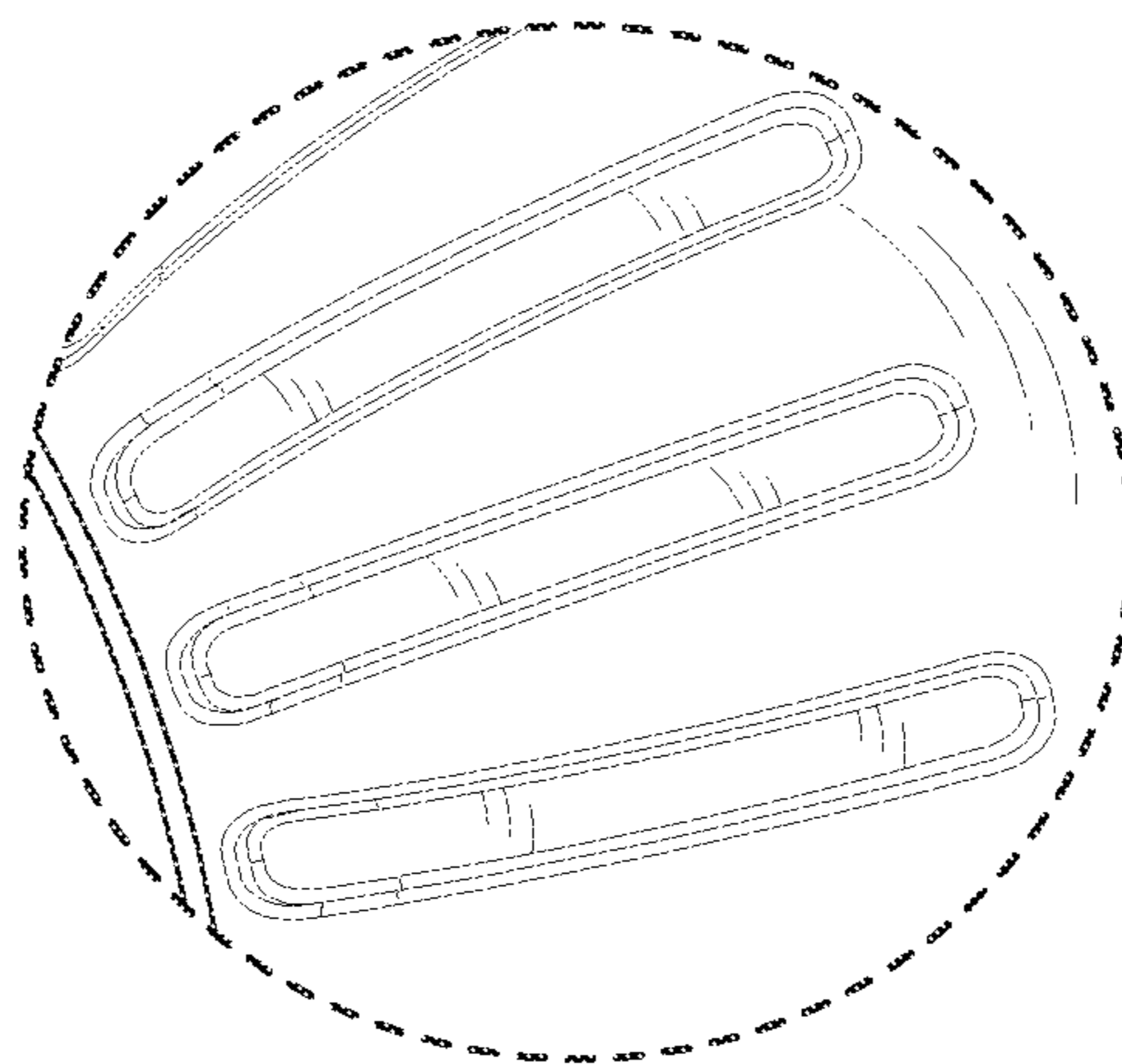


FIG. 9