



US00D961797S

(12) **United States Design Patent**
Huang

(10) **Patent No.:** **US D961,797 S**

(45) **Date of Patent:** **** Aug. 23, 2022**

(54) **MESSAGE GUN**

(71) Applicant: **Guangshun Huang**, Zhejiang (CN)

(72) Inventor: **Guangshun Huang**, Zhejiang (CN)

(**) Term: **15 Years**

(21) Appl. No.: **29/761,204**

(22) Filed: **Dec. 8, 2020**

(51) **LOC (13) Cl.** **28-03**

(52) **U.S. Cl.**
USPC **D24/215**

(58) **Field of Classification Search**
USPC D24/200, 211, 212, 213, 214, 215;
D8/14.1; D28/13, 44.1

CPC A61H 2201/0153; A61H 7/003; A61H
23/006; A61H 23/00

See application file for complete search history.

(56) **References Cited**

U.S. PATENT DOCUMENTS

D895,132 S * 9/2020 Hu D24/215
D895,829 S * 9/2020 Hu D24/215

D918,411 S * 5/2021 Xu D24/215
D920,531 S * 5/2021 Xu D24/215
D924,424 S * 7/2021 Wang D24/215
D925,758 S * 7/2021 Xu D24/215
D928,339 S * 8/2021 Yang D24/215
D932,045 S * 9/2021 Shen D24/215
D935,045 S * 11/2021 Zhang D24/215
D939,101 S * 12/2021 Yang D24/215

* cited by examiner

Primary Examiner — Michael A Maharajh

(57) **CLAIM**

The ornamental design for a massage gun, as shown and described.

DESCRIPTION

FIG. 1 is a perspective view of a massage gun showing my new design;

FIG. 2 is a front elevation view thereof;

FIG. 3 is a rear elevation view thereof;

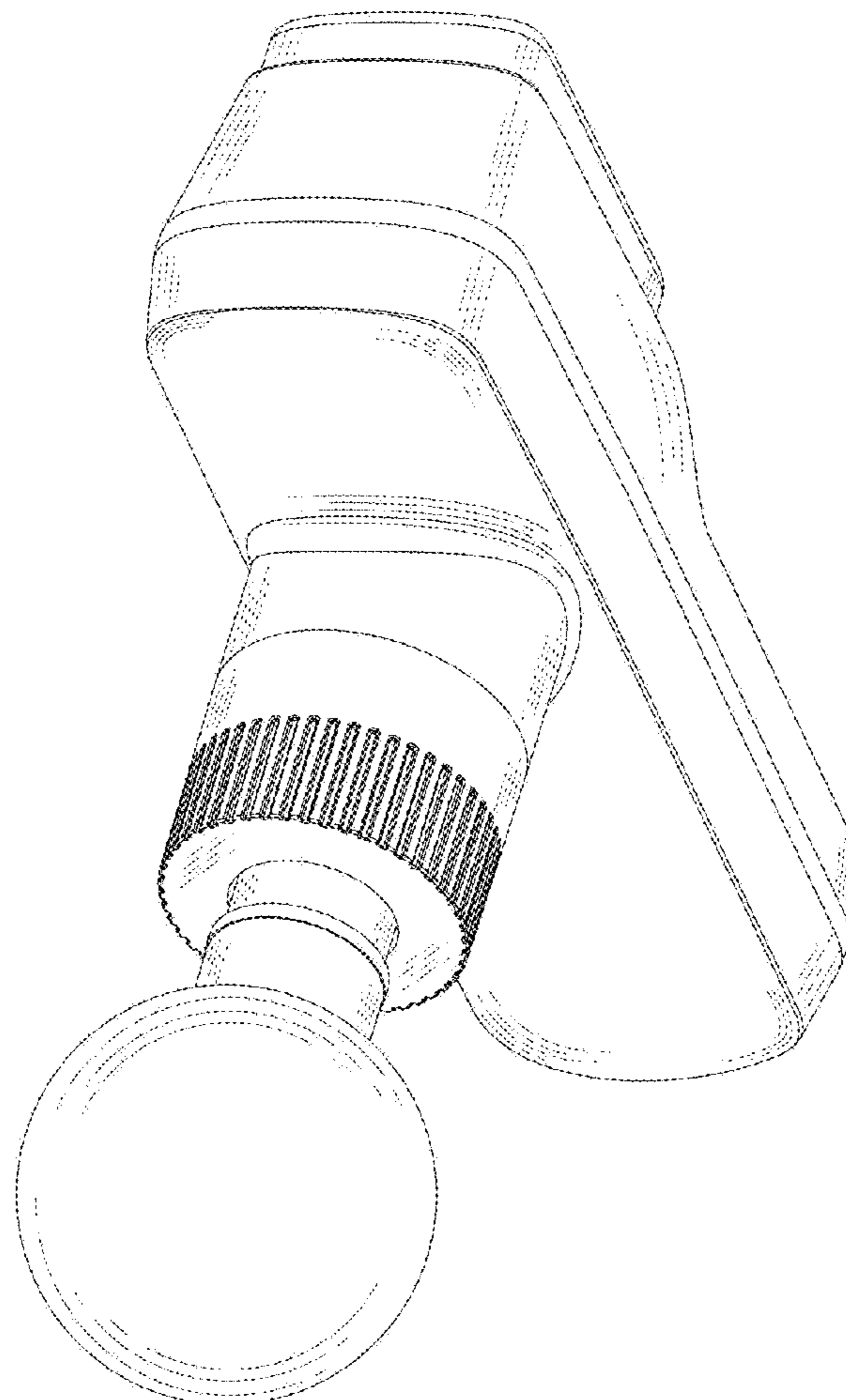
FIG. 4 is a left side elevation view thereof;

FIG. 5 is a right side elevation view thereof;

FIG. 6 is a top plan view thereof; and,

FIG. 7 is a bottom plan view thereof.

1 Claim, 7 Drawing Sheets



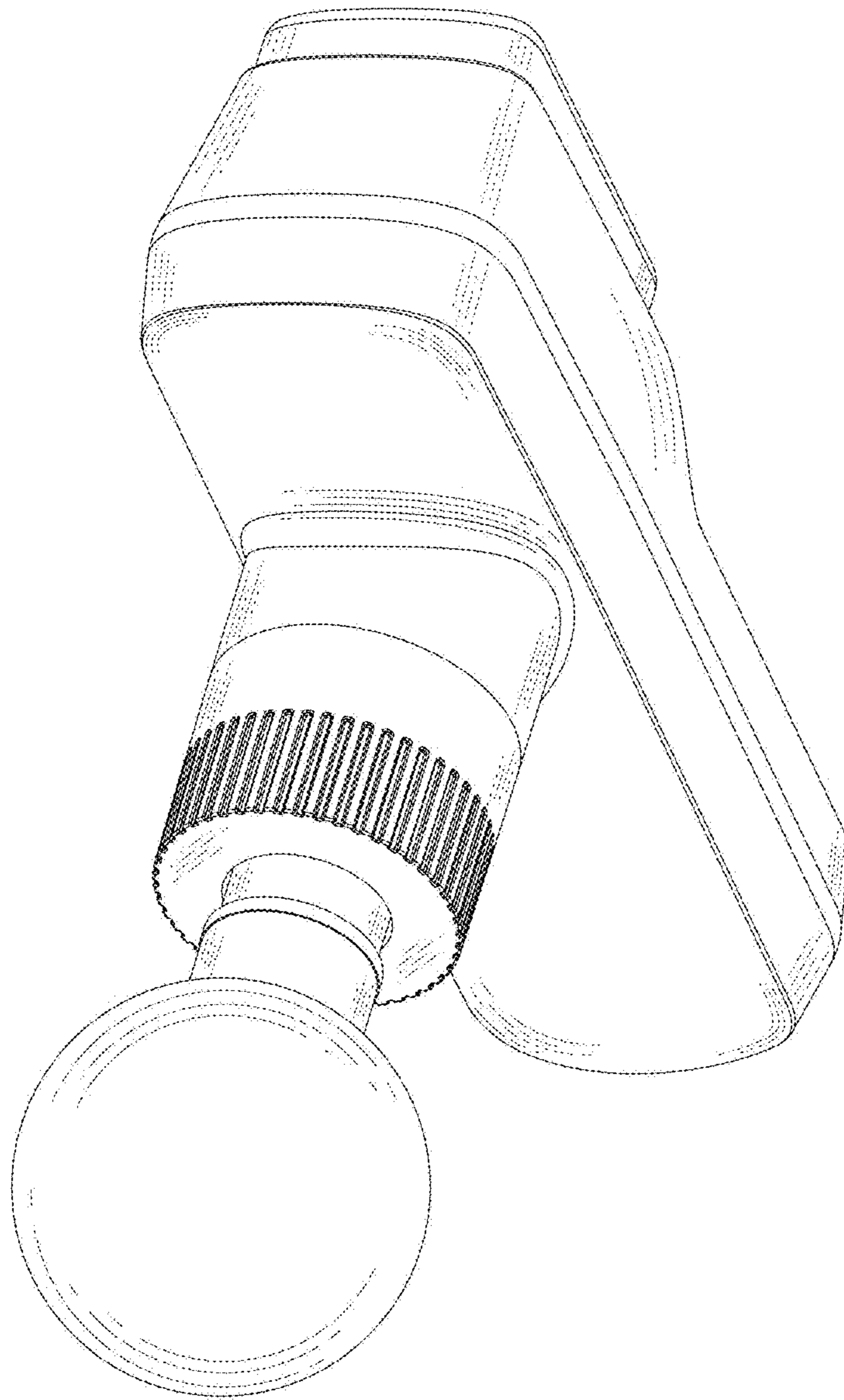


FIG.1

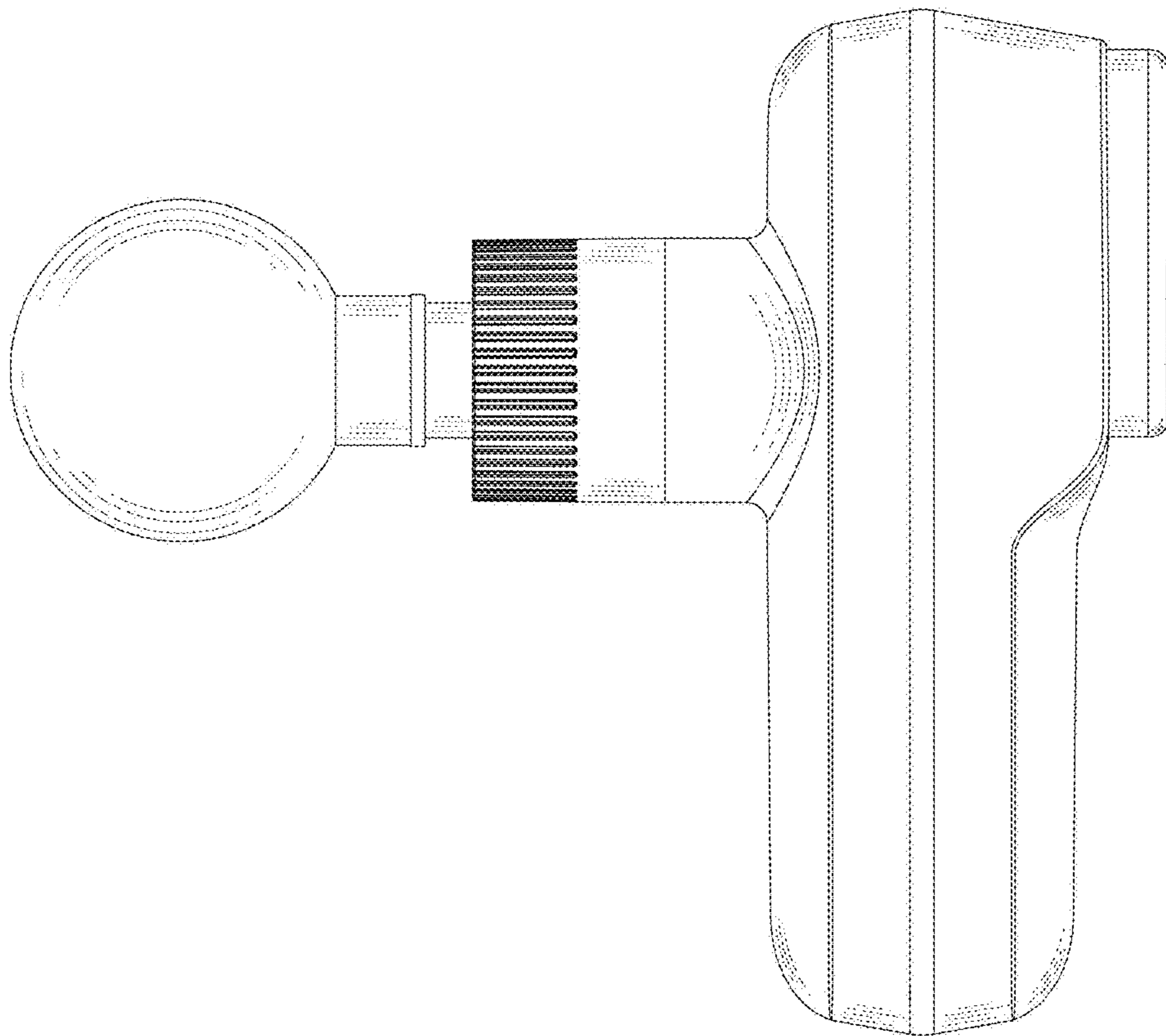


FIG.2

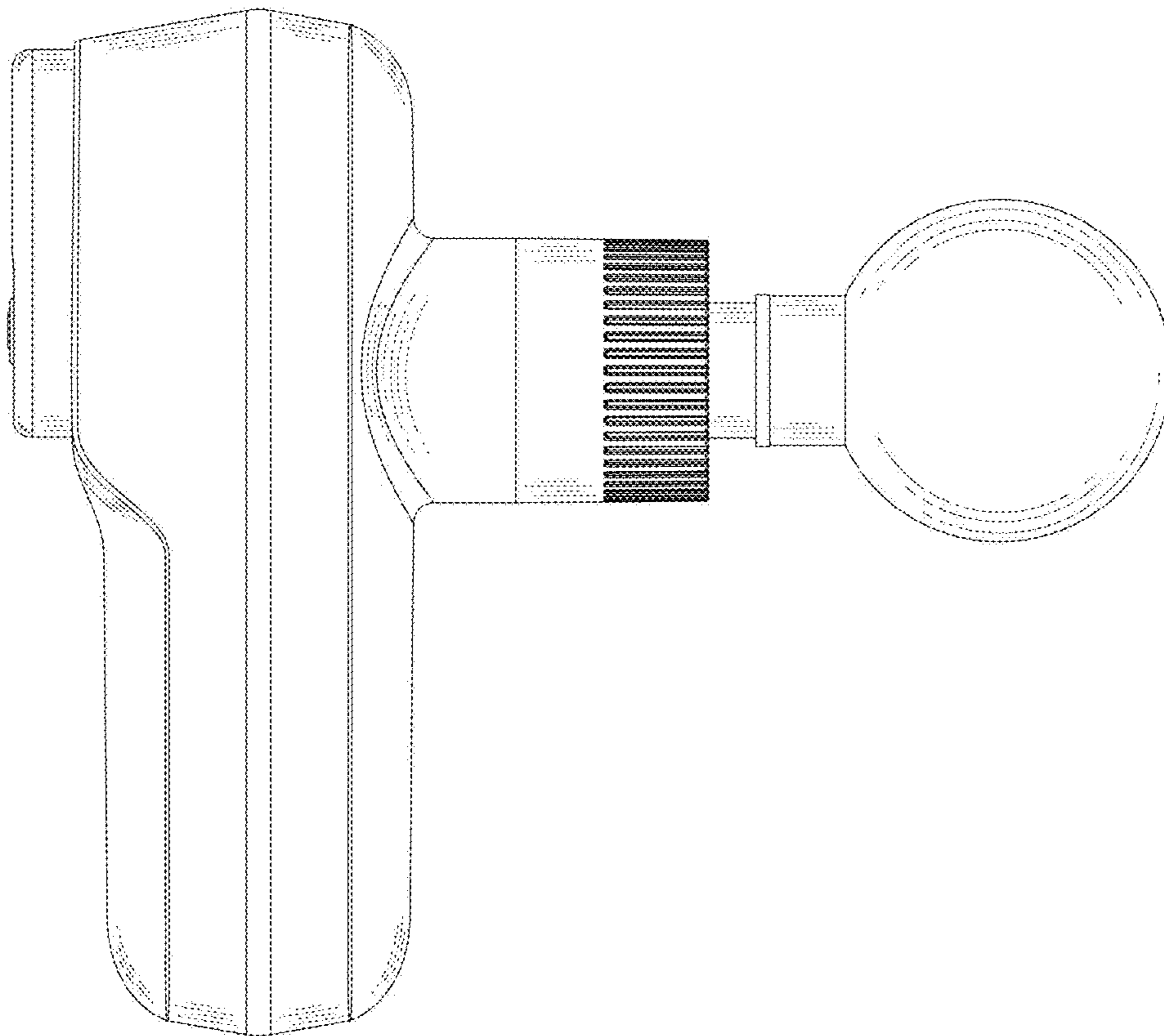


FIG.3

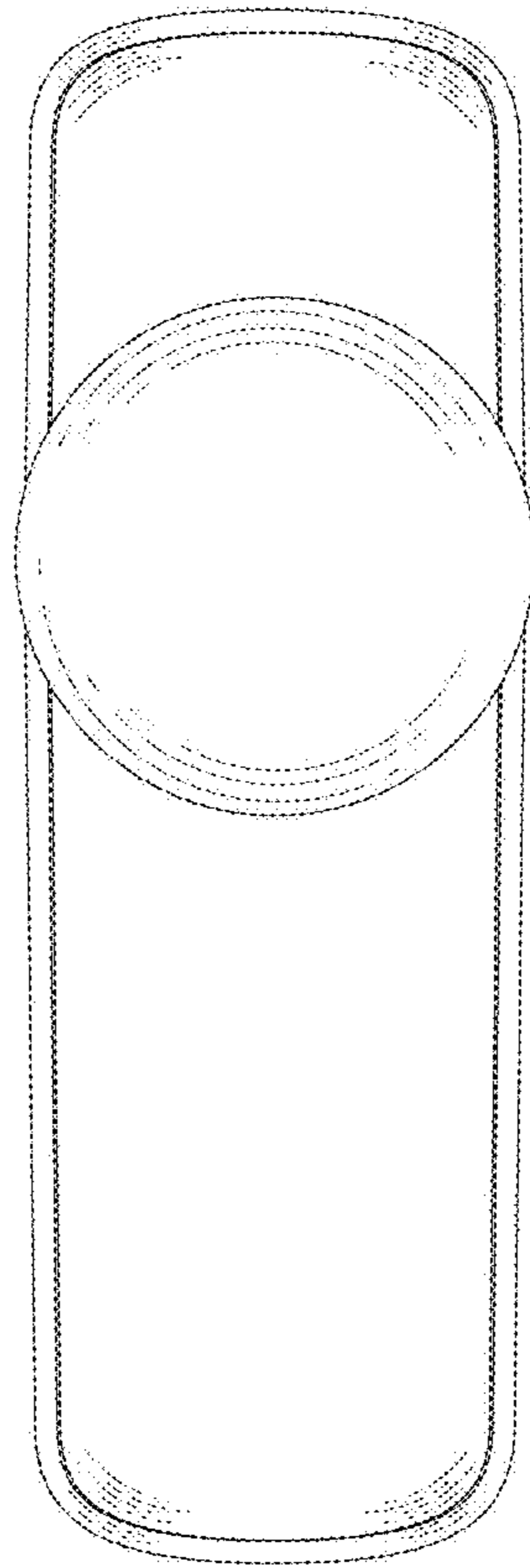


FIG.4

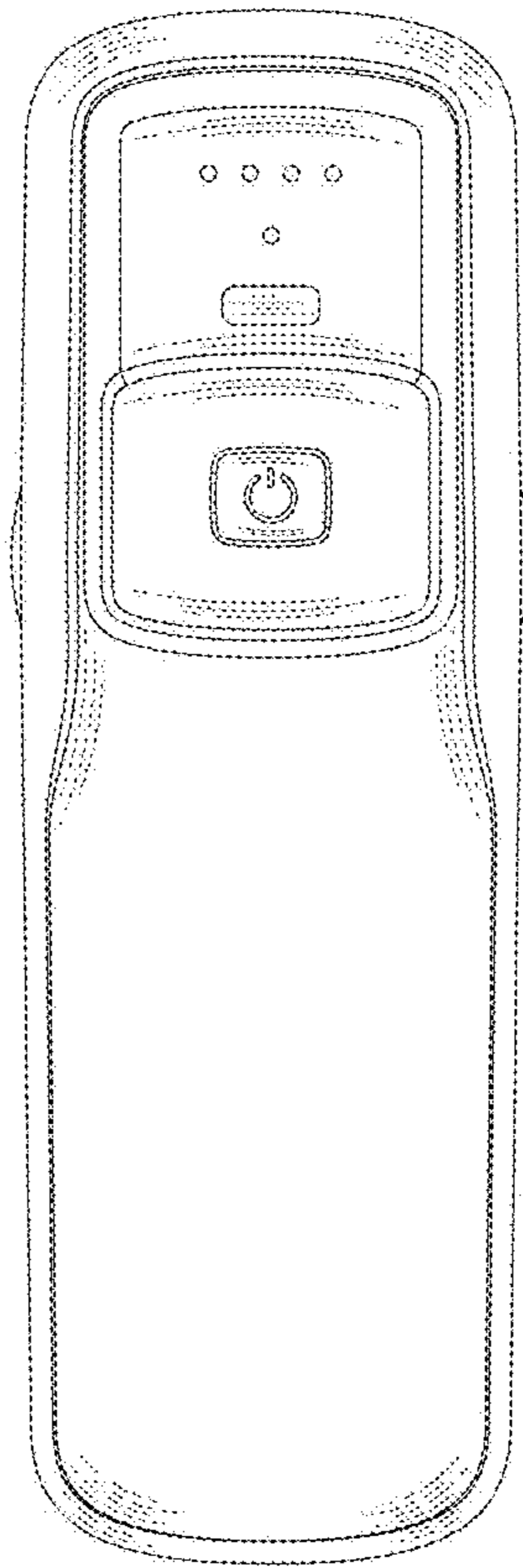


FIG.5

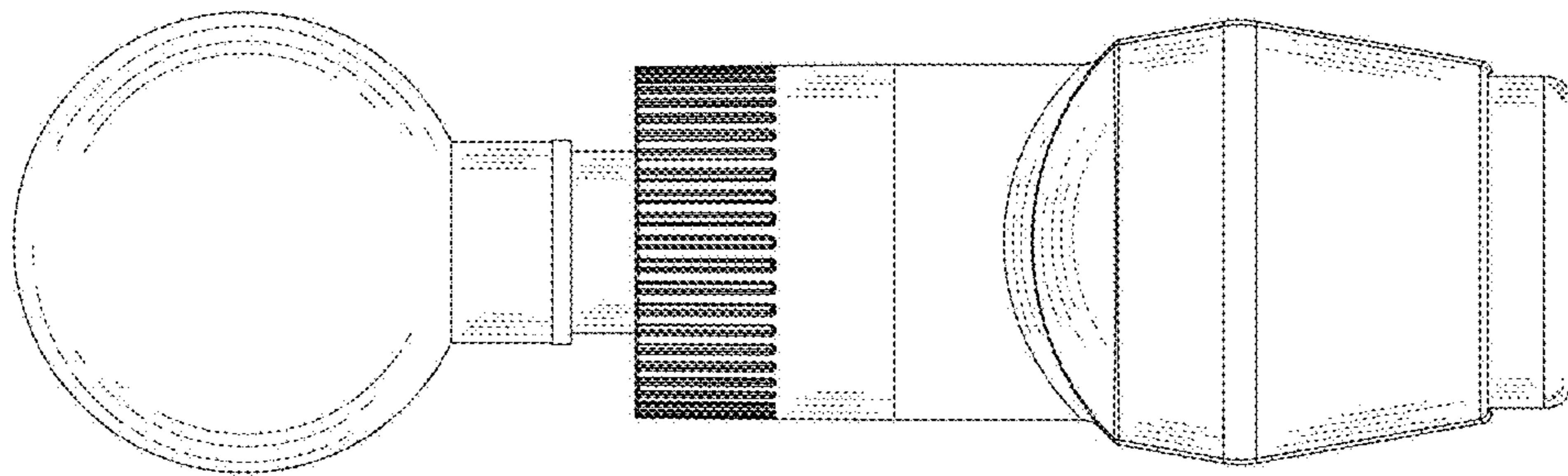


FIG.6

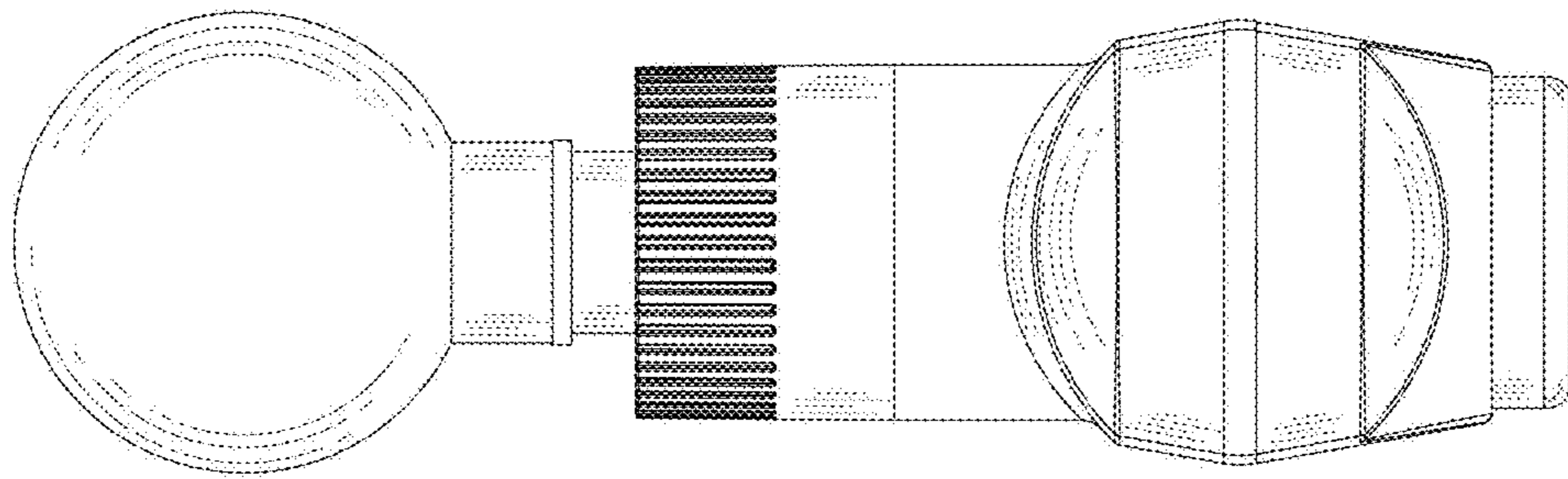


FIG. 7