



US00D961796S

(12) **United States Design Patent**  
**Qin**

(10) **Patent No.:** **US D961,796 S**

(45) **Date of Patent:** **\*\* Aug. 23, 2022**

(54) **MASSAGER**

(71) Applicant: **Qinji Electronic Technology (Suzhou) Co., Ltd.**, Suzhou (CN)

(72) Inventor: **LiBo Qin**, Suzhou (CN)

(73) Assignees: **QINJI ELECTRONIC TECHNOLOGY (SUZHOU) CO., LTD.**, Suzhou (CN); **NANJING YUNKAI MACHINERY CO., LTD.**, Jiangsu (CN)

(\*\*) Term: **15 Years**

(21) Appl. No.: **29/738,105**

(22) Filed: **Jun. 15, 2020**

(51) **LOC (13) Cl.** ..... **28-03**

(52) **U.S. Cl.**  
USPC ..... **D24/215**

(58) **Field of Classification Search**  
USPC ..... D24/200, 211, 212, 213, 214, 215;  
D8/14.1; D28/13  
CPC . A61H 2201/1635; A61H 23/006; A61H 1/00  
See application file for complete search history.

(56) **References Cited**

**U.S. PATENT DOCUMENTS**

10,428,850	B2 *	10/2019	Wersland	.....	B23B 31/11
10,470,970	B2 *	11/2019	Nazarian	.....	F16D 1/087
D872,869	S *	1/2020	Lu	.....	D24/215
D877,351	S *	3/2020	Wersland	.....	D24/215
D879,985	S *	3/2020	Wersland	.....	D24/214
D879,986	S *	3/2020	Wersland	.....	D24/214
D880,714	S *	4/2020	Wersland	.....	D24/215
D880,715	S *	4/2020	Wersland	.....	D24/215
D880,716	S *	4/2020	Wersland	.....	D24/215
D884,915	S *	5/2020	Wersland	.....	D24/215
D885,601	S *	5/2020	Wersland	.....	D24/215
D887,573	S *	6/2020	Wersland	.....	D24/215

10,714,953	B1 *	7/2020	Solana	.....	H02J 7/0044
10,857,064	B2 *	12/2020	Wersland	.....	A61H 23/006
10,912,707	B2 *	2/2021	Wersland	.....	A61H 23/00
D912,268	S *	3/2021	Xiang	.....	D24/215
D912,835	S *	3/2021	Ren	.....	D24/200
10,940,081	B2 *	3/2021	Nazarian	.....	H02K 11/0094
10,959,911	B2 *	3/2021	Wersland	.....	A61H 1/00
D921,914	S *	6/2021	Wersland	.....	D24/214
D930,179	S *	9/2021	Zhu	.....	D24/215
2016/0367425	A1 *	12/2016	Wersland	.....	A61H 1/008
2017/0304145	A1 *	10/2017	Pepe	.....	A61H 23/006

(Continued)

*Primary Examiner* — Michael A Maharajh

(74) *Attorney, Agent, or Firm* — Ostrolenk Faber LLP

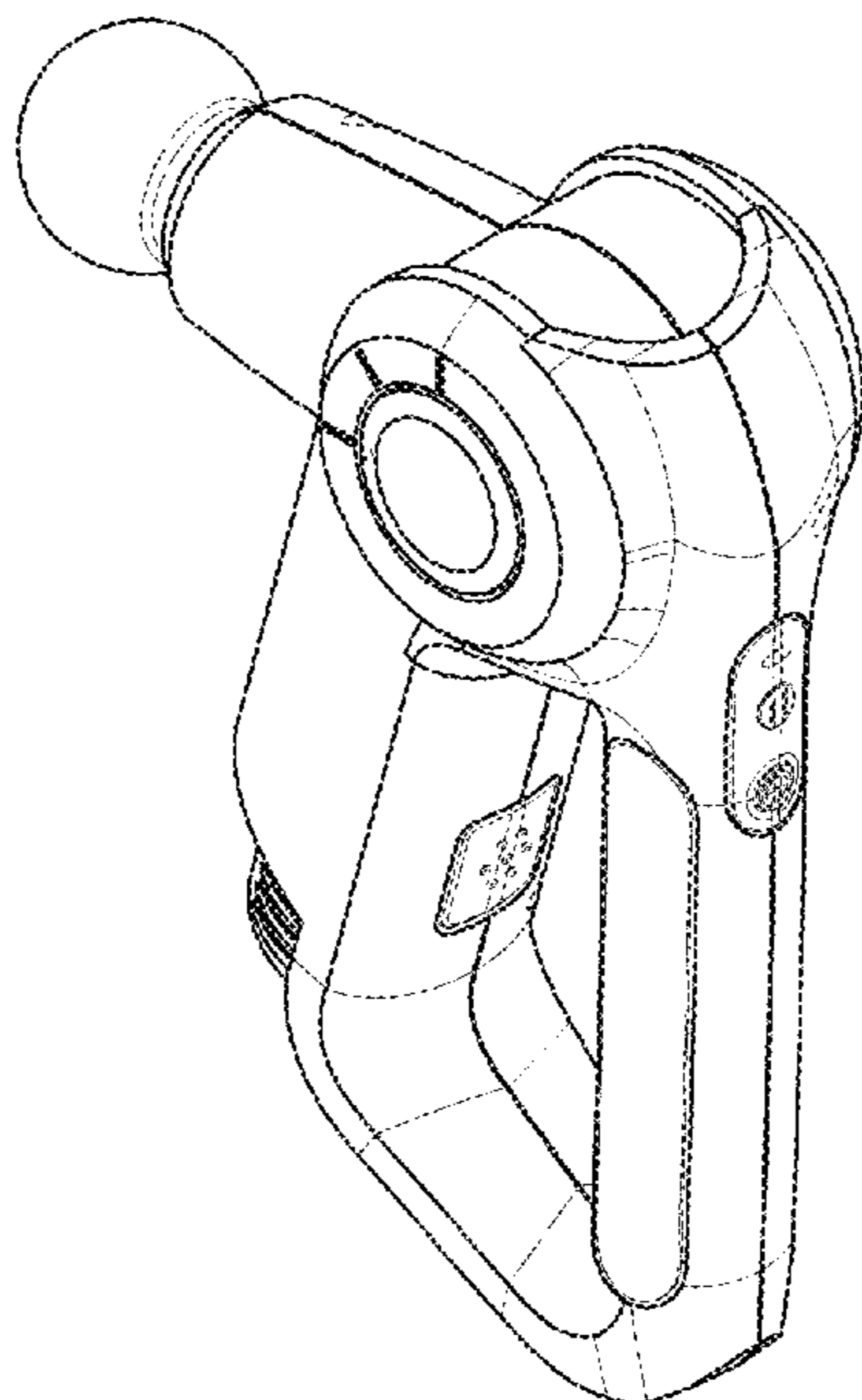
(57) **CLAIM**

The ornamental design for a massager, as shown and described.

**DESCRIPTION**

FIG. 1 is a first perspective view of a massager showing my new design;  
 FIG. 2 is a second perspective view of a massager thereof;  
 FIG. 3 is a third perspective view of a massager thereof;  
 FIG. 4 is a fourth perspective view of a massager thereof;  
 FIG. 5 is a right side elevational view thereof;  
 FIG. 6 is a left side elevational view thereof;  
 FIG. 7 is a top plan view thereof;  
 FIG. 8 is a bottom plan view thereof;  
 FIG. 9 is a front elevational view thereof;  
 FIG. 10 is a rear elevational view thereof;  
 FIG. 11 is a fifth perspective view of a massager shown in an alternate configuration thereof; and,  
 FIG. 12 is a sixth perspective view of a massager shown in an alternate configuration thereof.  
 The broken lines shown in the figures are for the purpose of illustrating portions of the massager, which form no part of the claimed design.

**1 Claim, 6 Drawing Sheets**



(56)

**References Cited**

U.S. PATENT DOCUMENTS

2018/0200141	A1 *	7/2018	Wersland .....	A61H 15/0085
2020/0069510	A1 *	3/2020	Wersland .....	A61H 23/006
2020/0214930	A1 *	7/2020	Wersland .....	A61H 23/006
2020/0261306	A1 *	8/2020	Pepe .....	A61H 23/0254
2020/0261307	A1 *	8/2020	Wersland .....	A61H 23/006
2020/0268594	A1 *	8/2020	Pepe .....	A61H 15/02
2020/0352820	A1 *	11/2020	Nazarian .....	H02K 11/26
2020/0405574	A1 *	12/2020	Wersland .....	A61H 1/008
2021/0022955	A1 *	1/2021	Wersland .....	A61H 1/006
2021/0059898	A1 *	3/2021	Wersland .....	A61H 15/00

\* cited by examiner

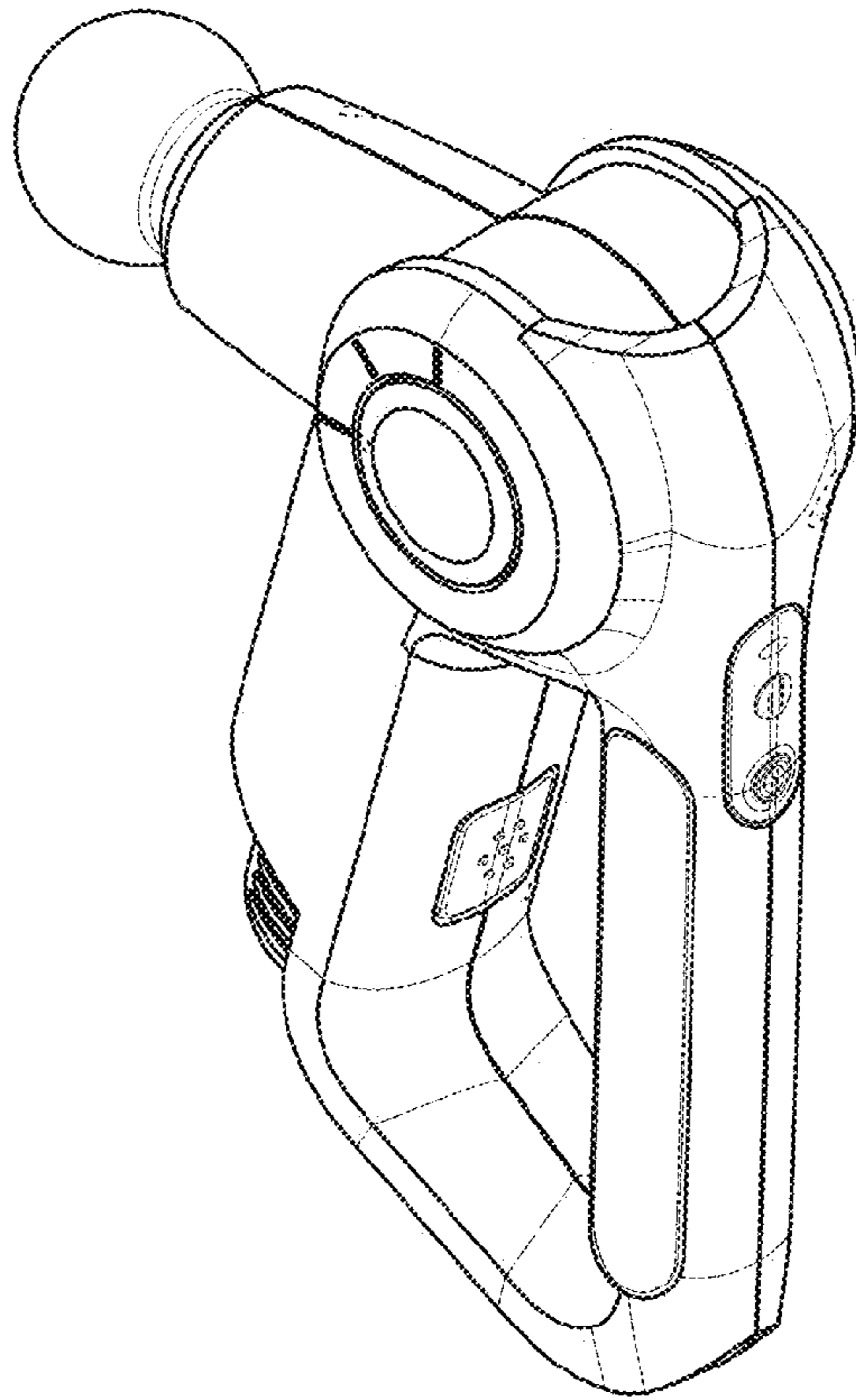


FIG. 1

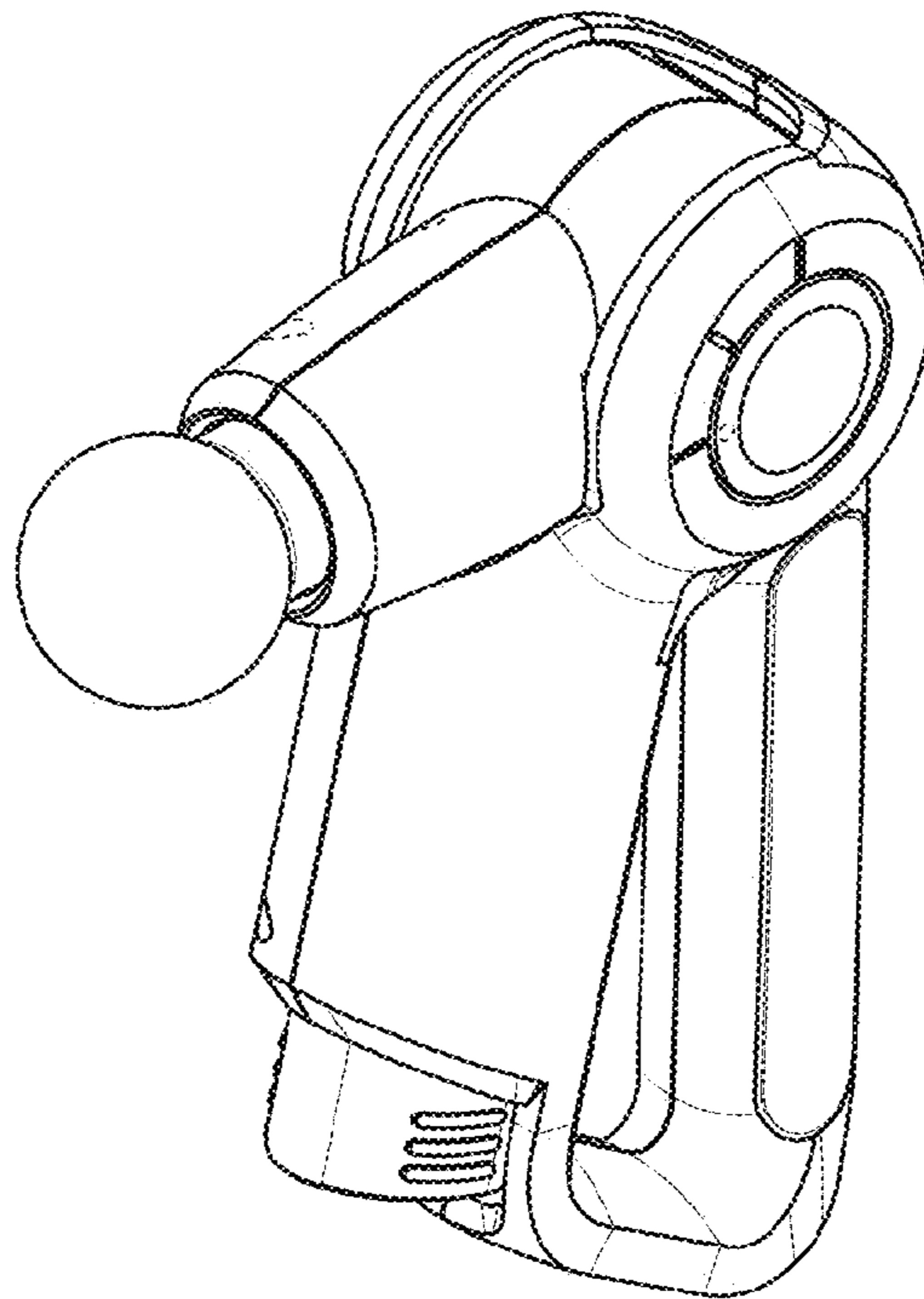


FIG. 2

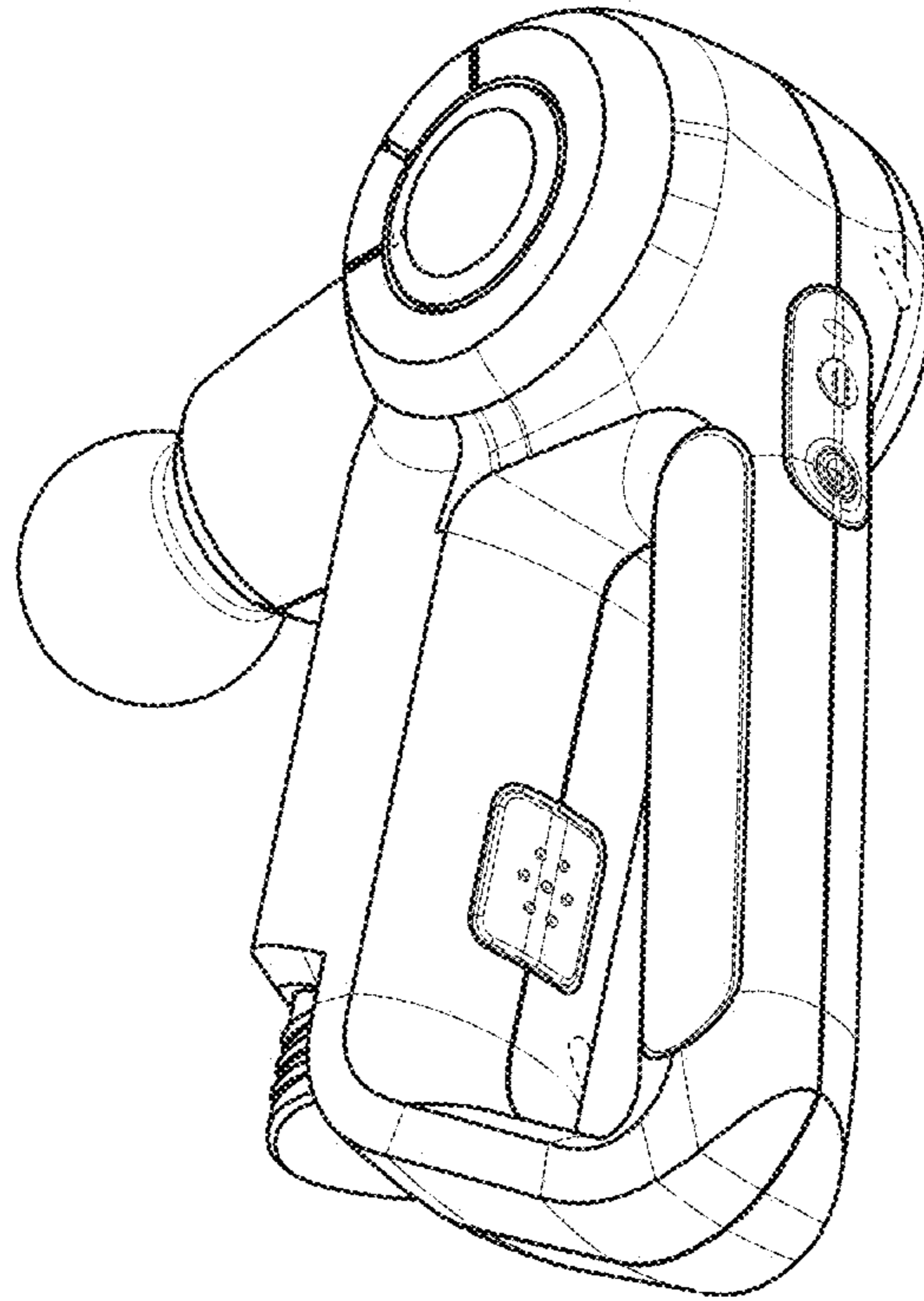


FIG. 3

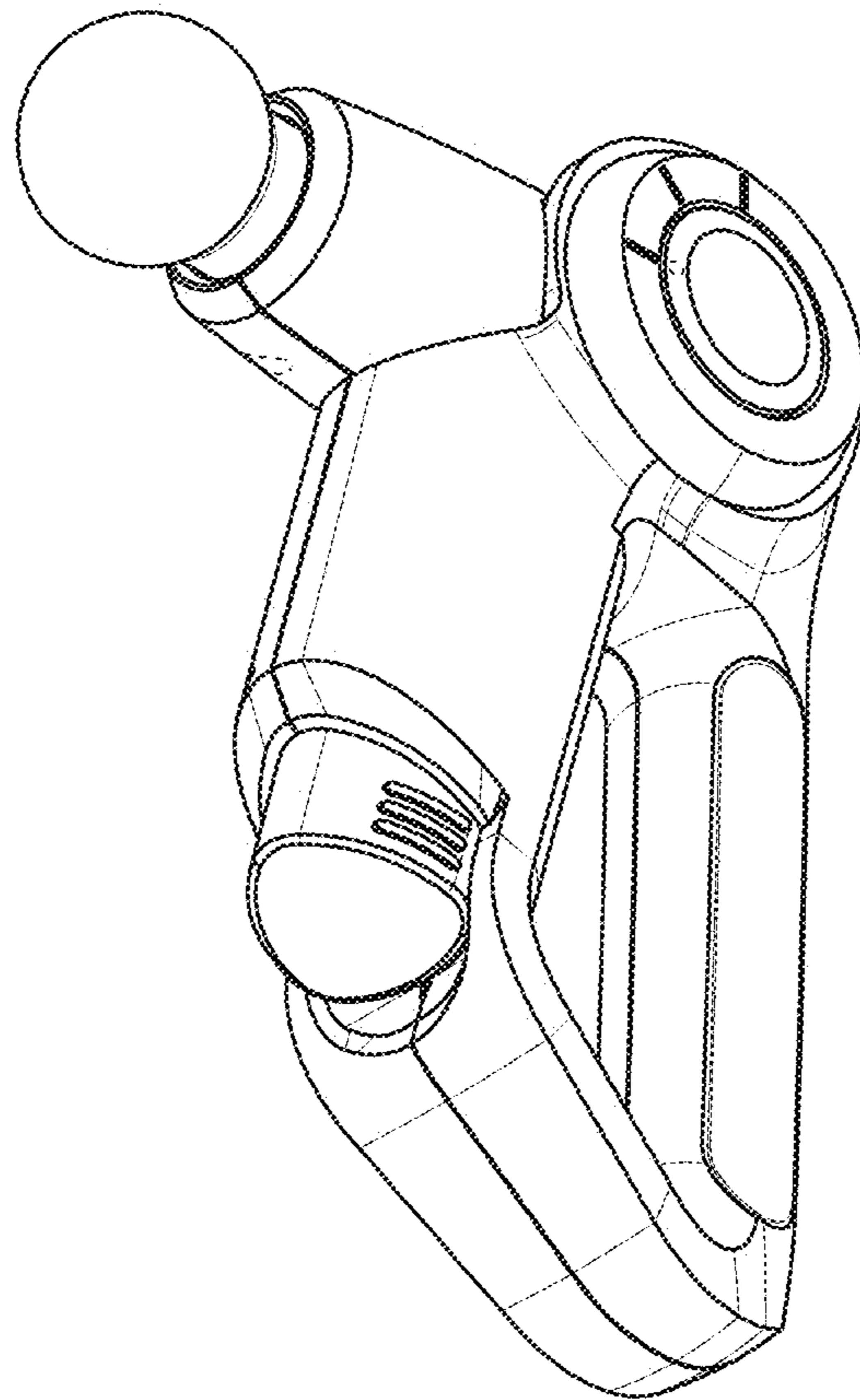


FIG. 4



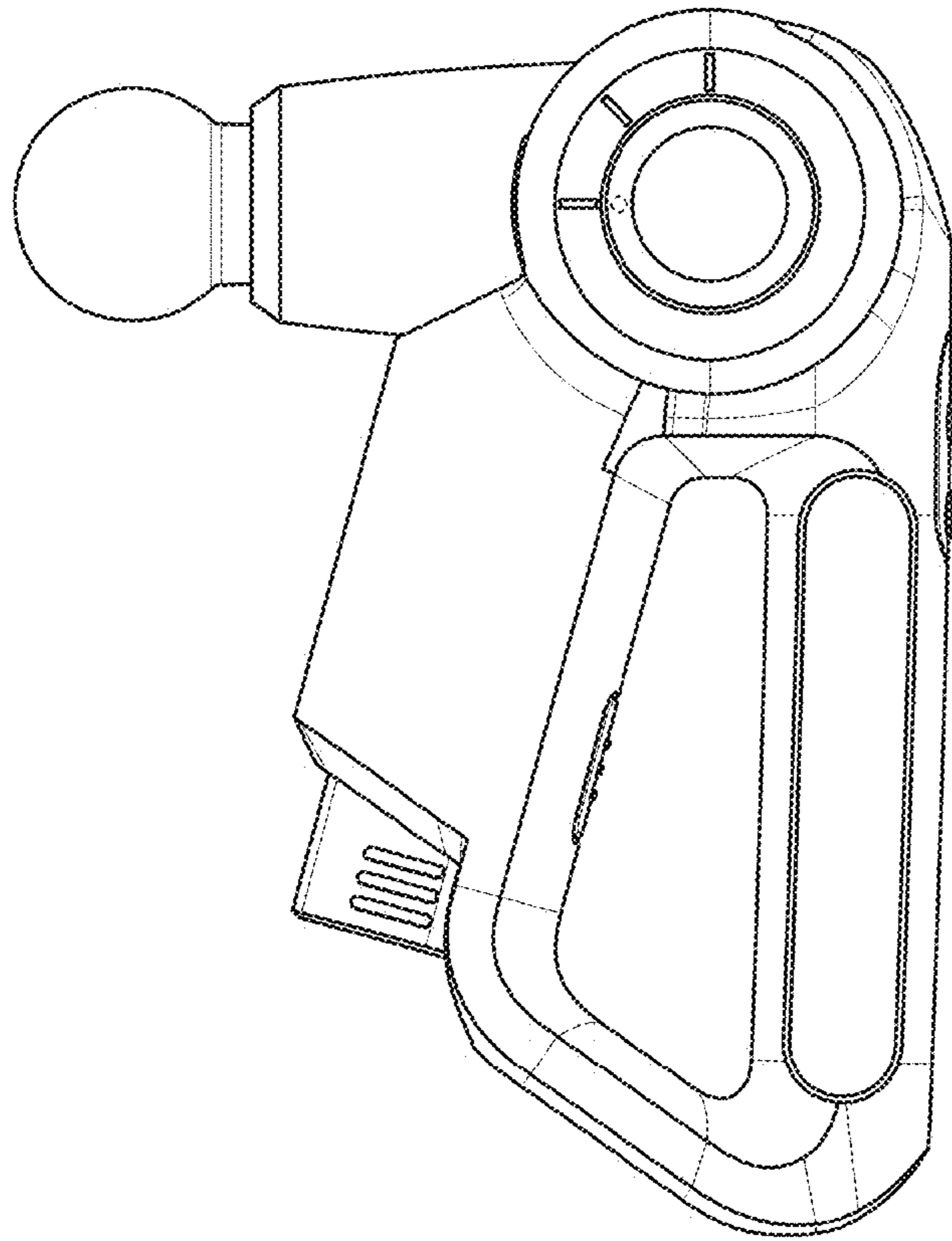


FIG. 5

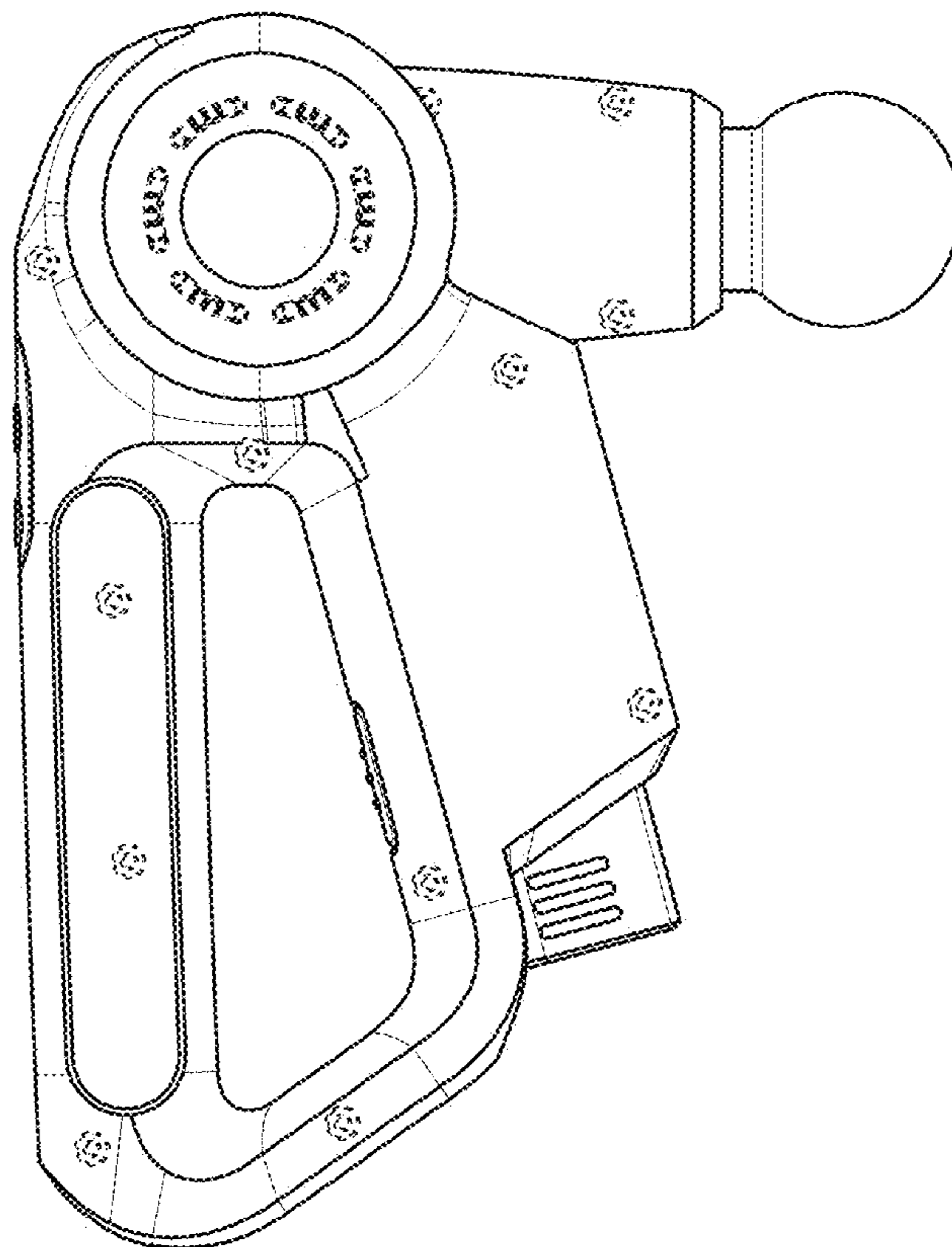


FIG. 6

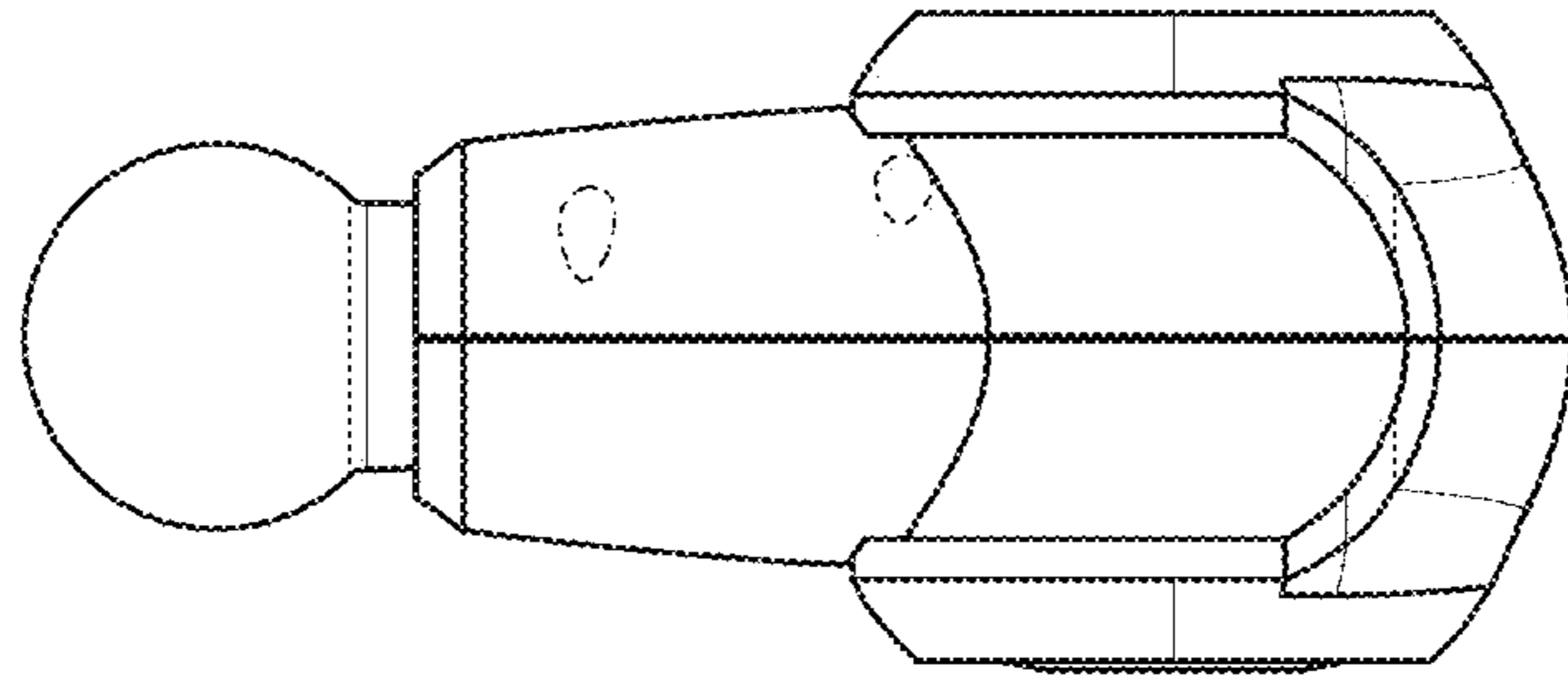


FIG. 7

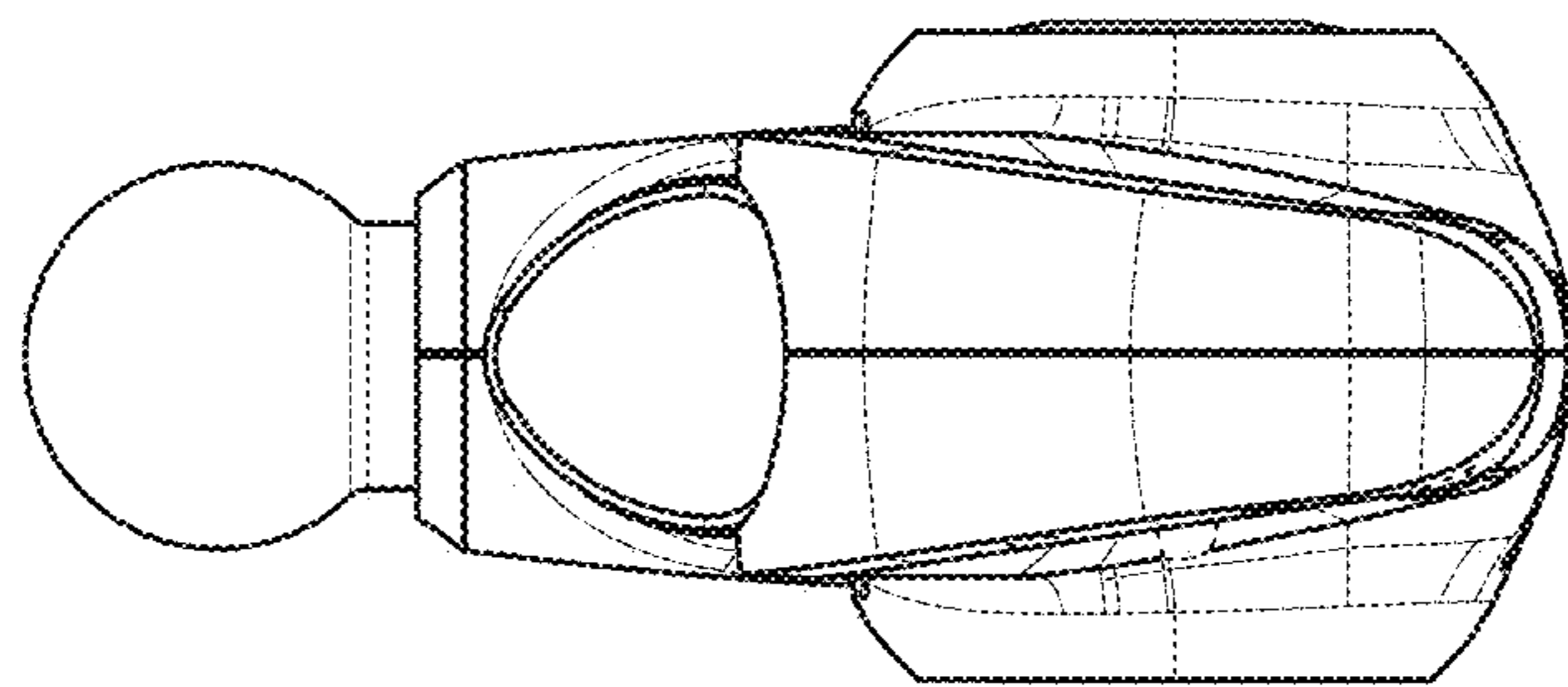


FIG. 8

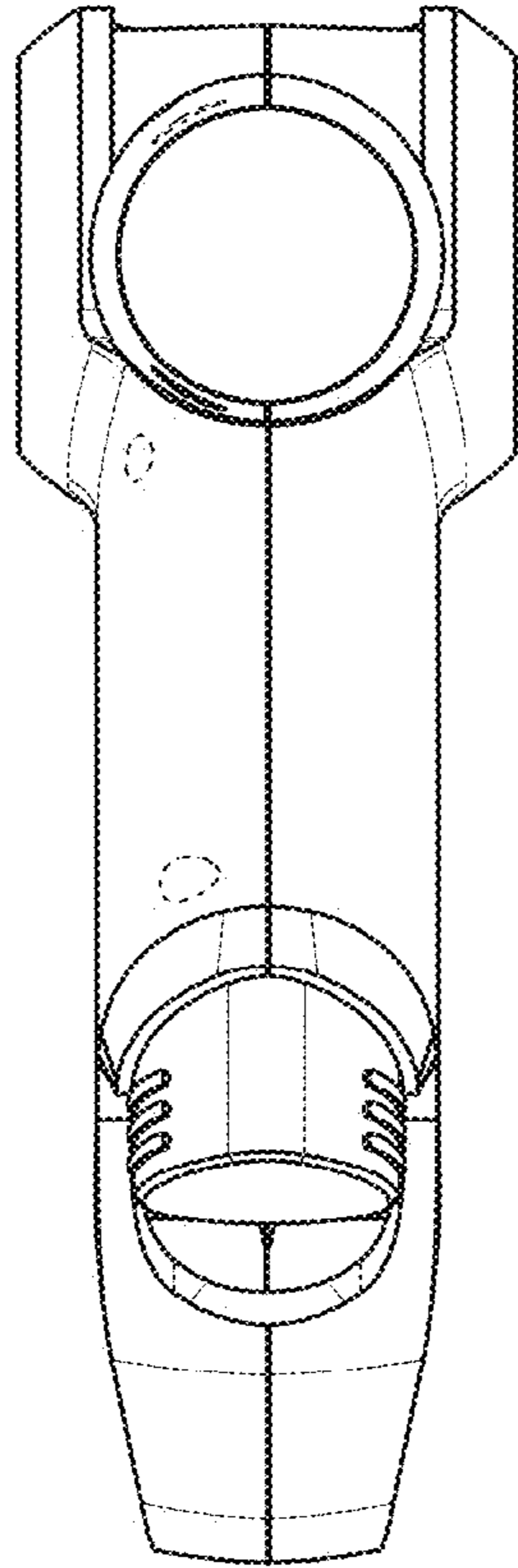


FIG. 9

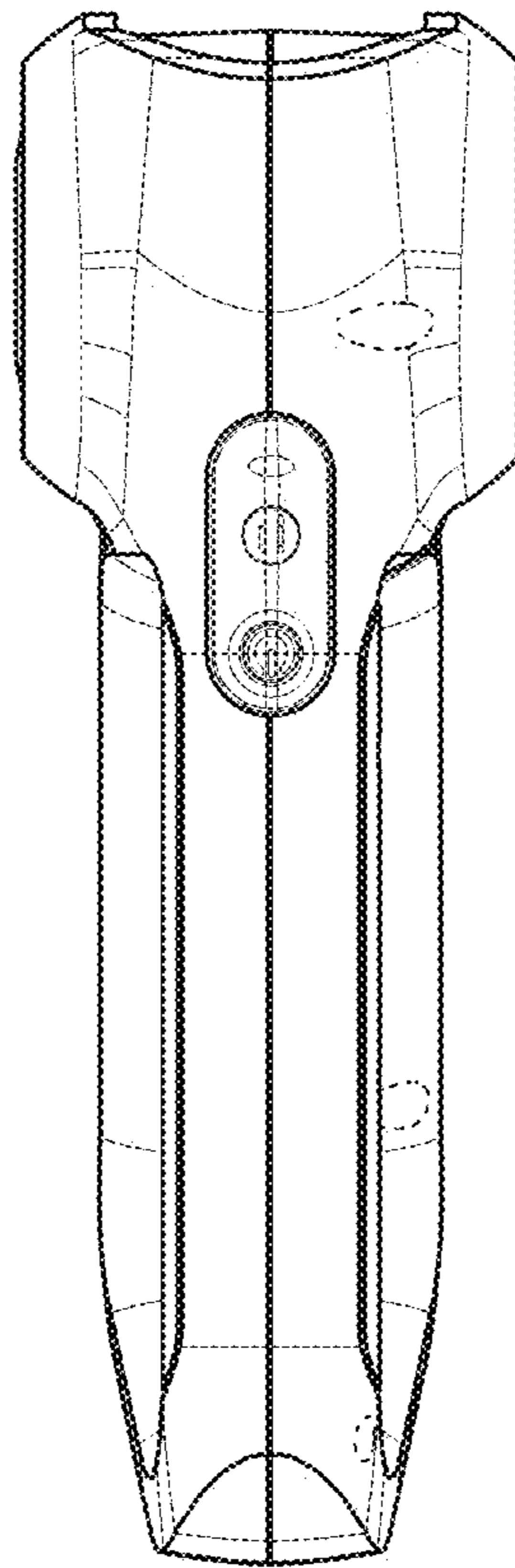


FIG. 10

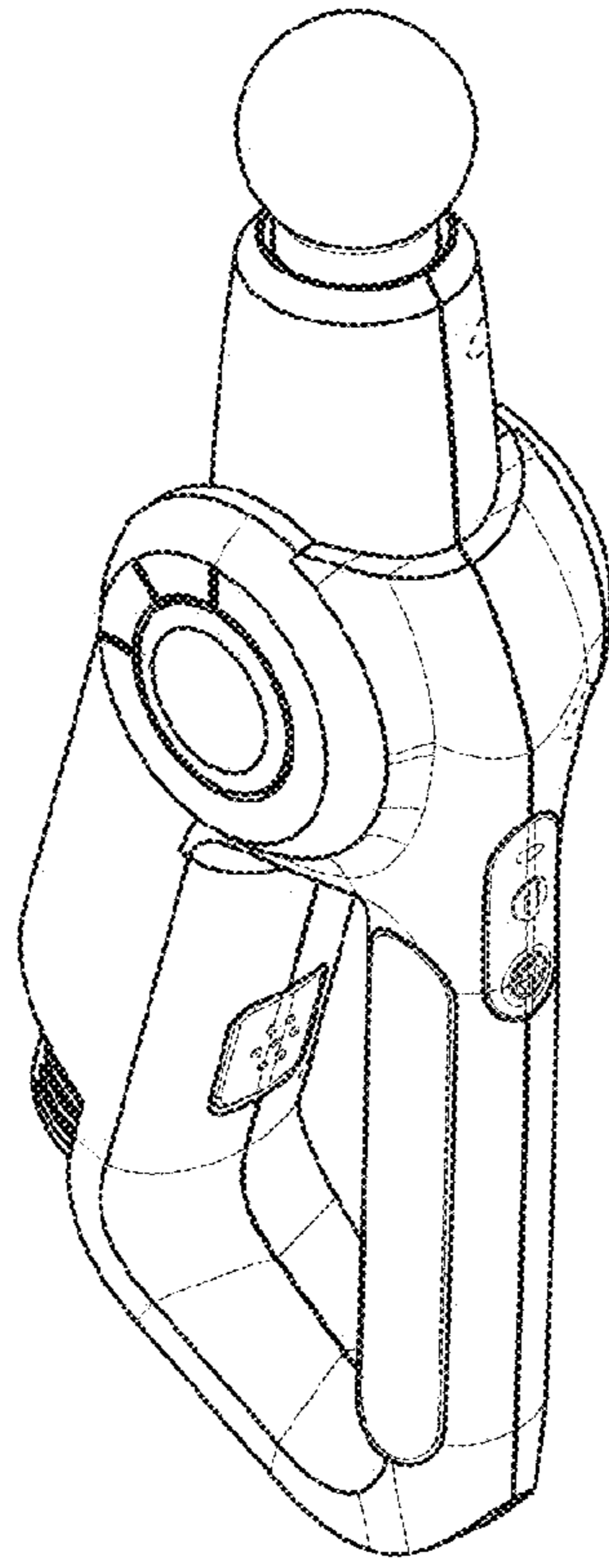


FIG. 11

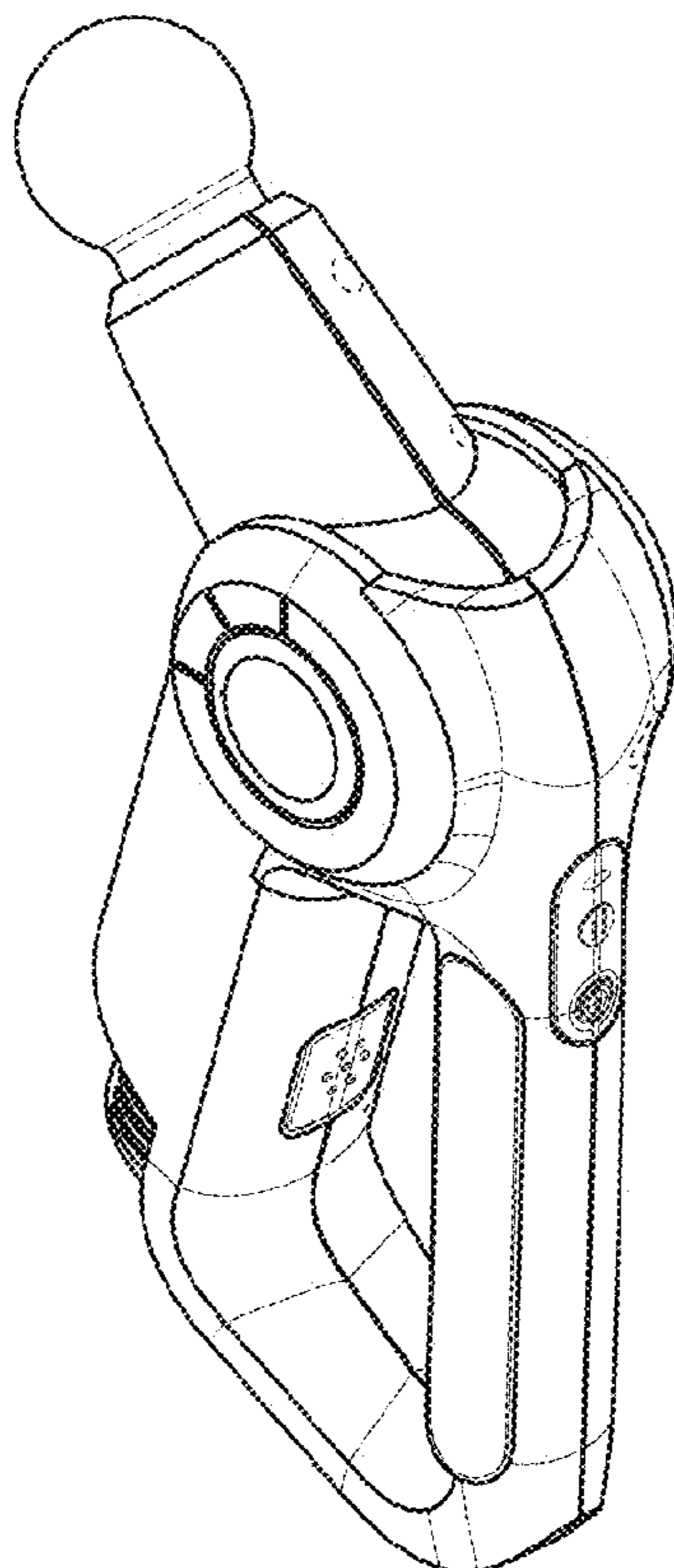


FIG. 12