



US00D961795S

(12) **United States Design Patent**
Zhao et al.

(10) **Patent No.:** **US D961,795 S**

(45) **Date of Patent:** **** Aug. 23, 2022**

(54) **MESSAGE ATTACHMENT**

(71) Applicant: **Achedaway (Shenzhen) Technology Co., Ltd.**, Shenzhen (CN)

(72) Inventors: **Yonggang Zhao**, Shenzhen (CN);
Shaowen Tian, Yuanling (CN)

(**) Term: **15 Years**

(21) Appl. No.: **29/736,937**

(22) Filed: **Jun. 4, 2020**

(30) **Foreign Application Priority Data**

Jan. 17, 2020 (CN) 202030035152.1

(51) **LOC (13) Cl.** **28-03**

(52) **U.S. Cl.**
USPC **D24/215**

(58) **Field of Classification Search**
USPC D24/215, 200, 211, 212, 213, 214, 133,
D24/188, 107, 231; 21/717; D9/439;
D21/717

CPC A61H 9/00; A61H 9/005; A61H 9/0007;
A61H 15/00; A61H 2015/0007; A61H
2015/0042; A61H 23/00; A61H 23/006;
A61H 2023/002; A61H 2201/0153; A61H
2201/0157; A61H 7/004; A61H 1/00

See application file for complete search history.

(56) **References Cited**

U.S. PATENT DOCUMENTS

D277,983 S * 3/1985 Kaminski D24/214
D471,400 S * 3/2003 Jeter D7/387
D592,036 S * 5/2009 Domin D8/307
D597,815 S * 8/2009 Saunders D8/83
D611,513 S * 3/2010 Coburn D15/140
D674,273 S * 1/2013 Yogev D8/382
8,834,433 B2 * 9/2014 Mehta A61M 3/0262
604/275
D771,468 S * 11/2016 Gallagher D8/307

D776,370 S * 1/2017 Miksovsky D30/160
D843,176 S * 3/2019 Thompson D7/523
D851,245 S * 6/2019 Baxter D24/130
2019/0254921 A1 * 8/2019 Marton A61H 23/0254

OTHER PUBLICATIONS

Lifepro—Sonic Mini Quiet Massage Gun. Date: Sep. 20, 2019. [online]. [Site visited Sep. 20, 2021]. Available from Internet URL: <https://www.amazon.com/dp/B07Y5K9ZXZ/> (Year: 2019).*
Wasagun—Portable Massage Gun. Date: Sep. 30, 2019. [online]. [Site visited Sep. 20, 2021]. Available from Internet URL: <https://www.amazon.com/dp/B07VQG97GH/> (Year: 2019).*
Massage attachments. (Design—© Questel) orbit.com. [Online PDF compilation of references] 106 pgs. Print Dates Range Mar. 29, 2019-Apr. 10, 2020 [Retrieved Sep. 20, 2021] <https://www.orbit.com/export/UCZAH96B/pdf4/f105ac01-b451-b448a-ae6b-904dbe8a0a29-194426.pdf> (Year: 2021).*

* cited by examiner

Primary Examiner — Susan Bennett Hattan
Assistant Examiner — Landon Thomas Cassell

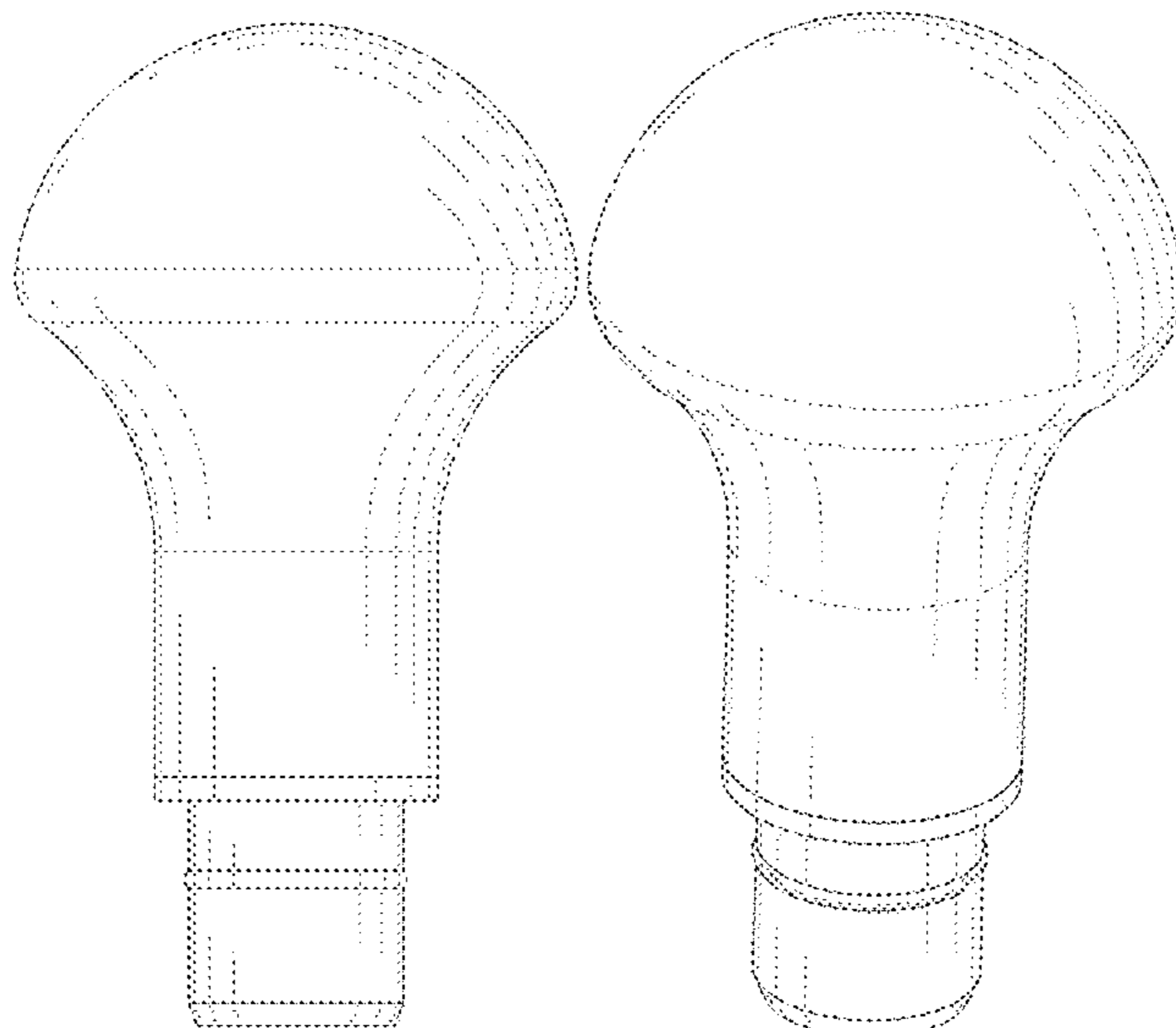
(57) **CLAIM**

The ornamental design for a massage attachment, as shown and described.

DESCRIPTION

FIG. 1 is a front view of a massage attachment;
FIG. 2 is a rear view thereof;
FIG. 3 is a left view thereof;
FIG. 4 is a right view thereof;
FIG. 5 is a top view thereof;
FIG. 6 is a bottom view thereof; and,
FIG. 7 is a perspective view thereof.
The broken lines in the drawing depict environmental subject matter only and form no part of the claimed design.

1 Claim, 7 Drawing Sheets



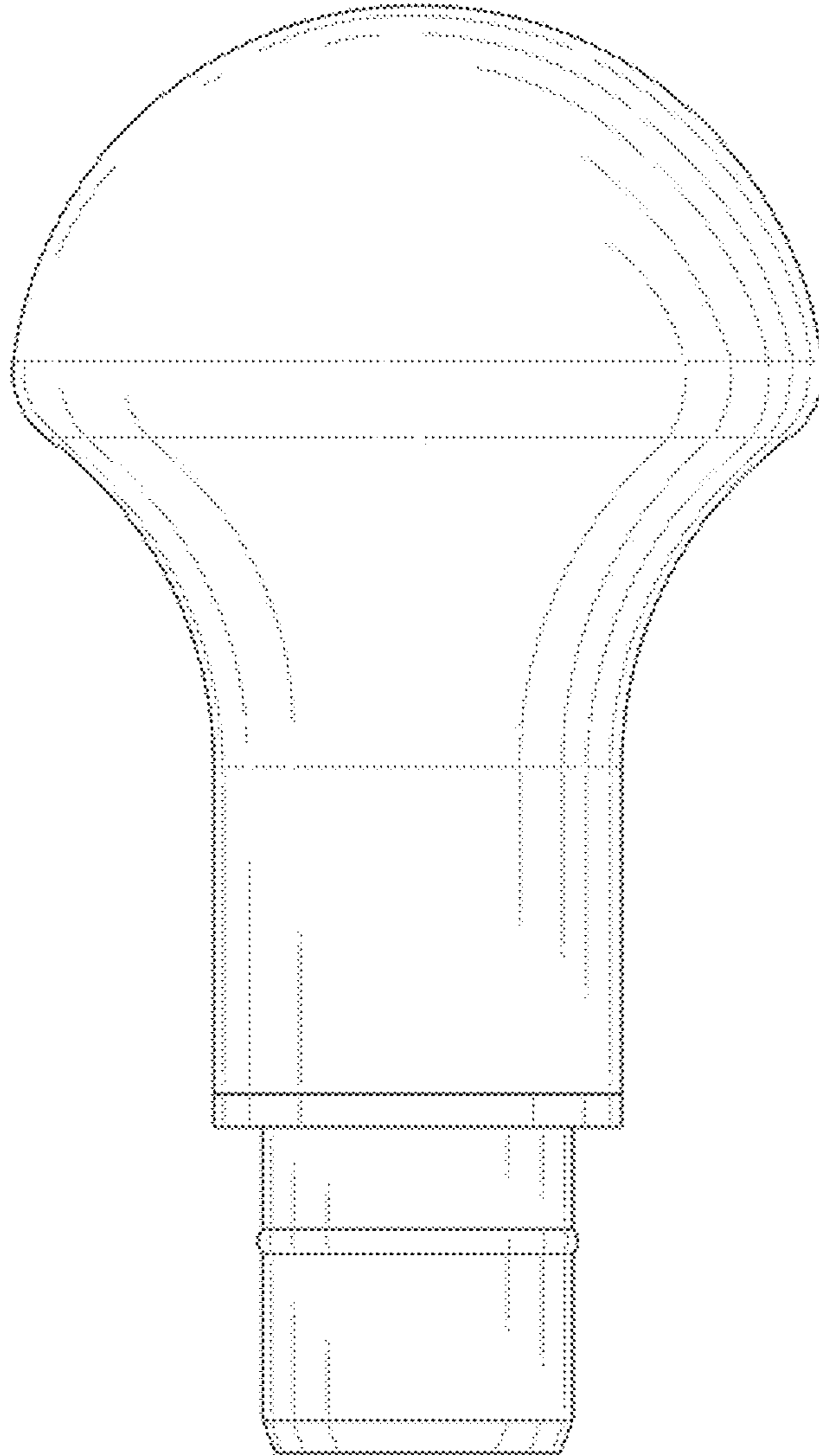


FIG. 1

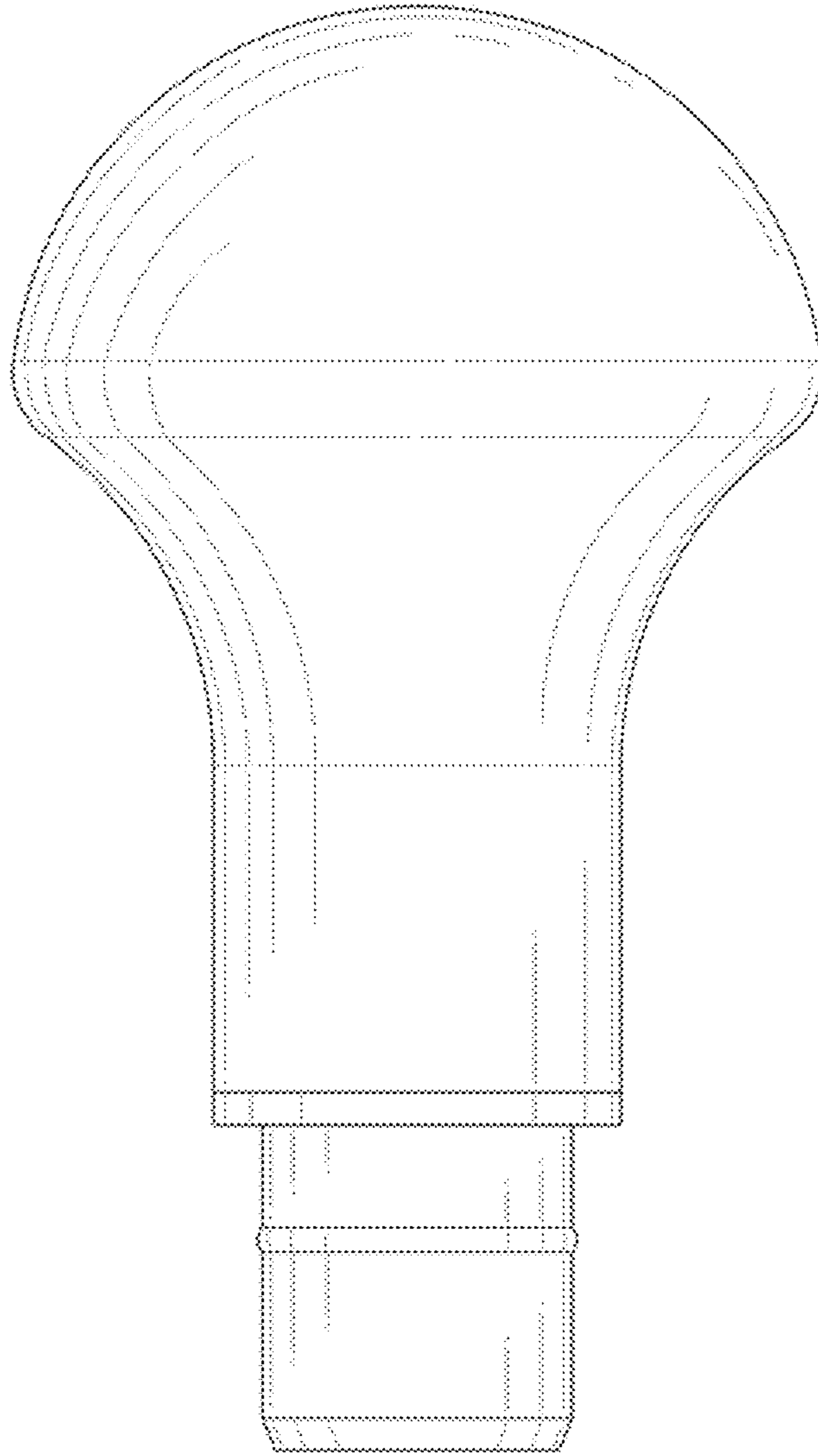


FIG. 2

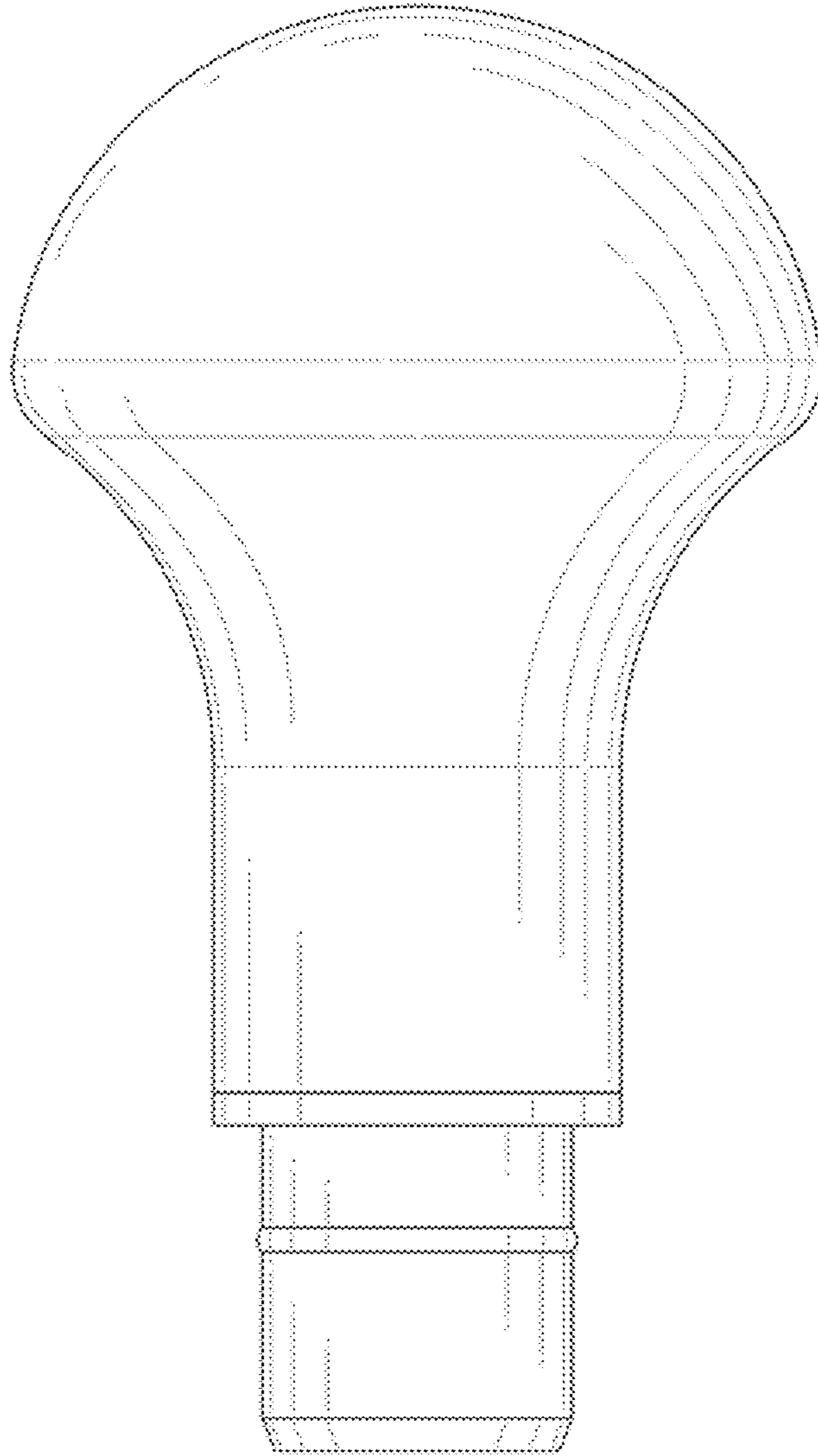


FIG. 3

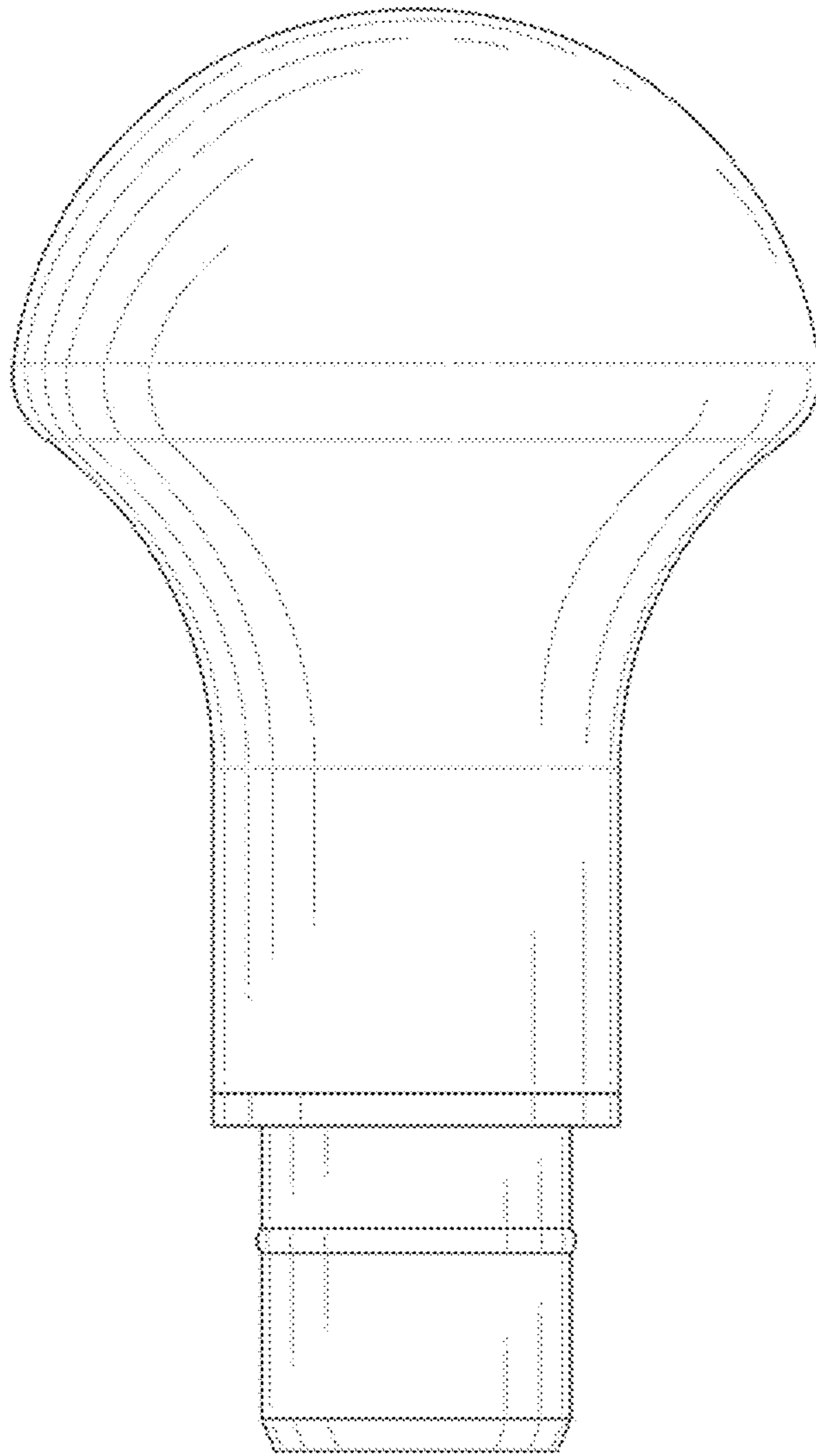


FIG. 4

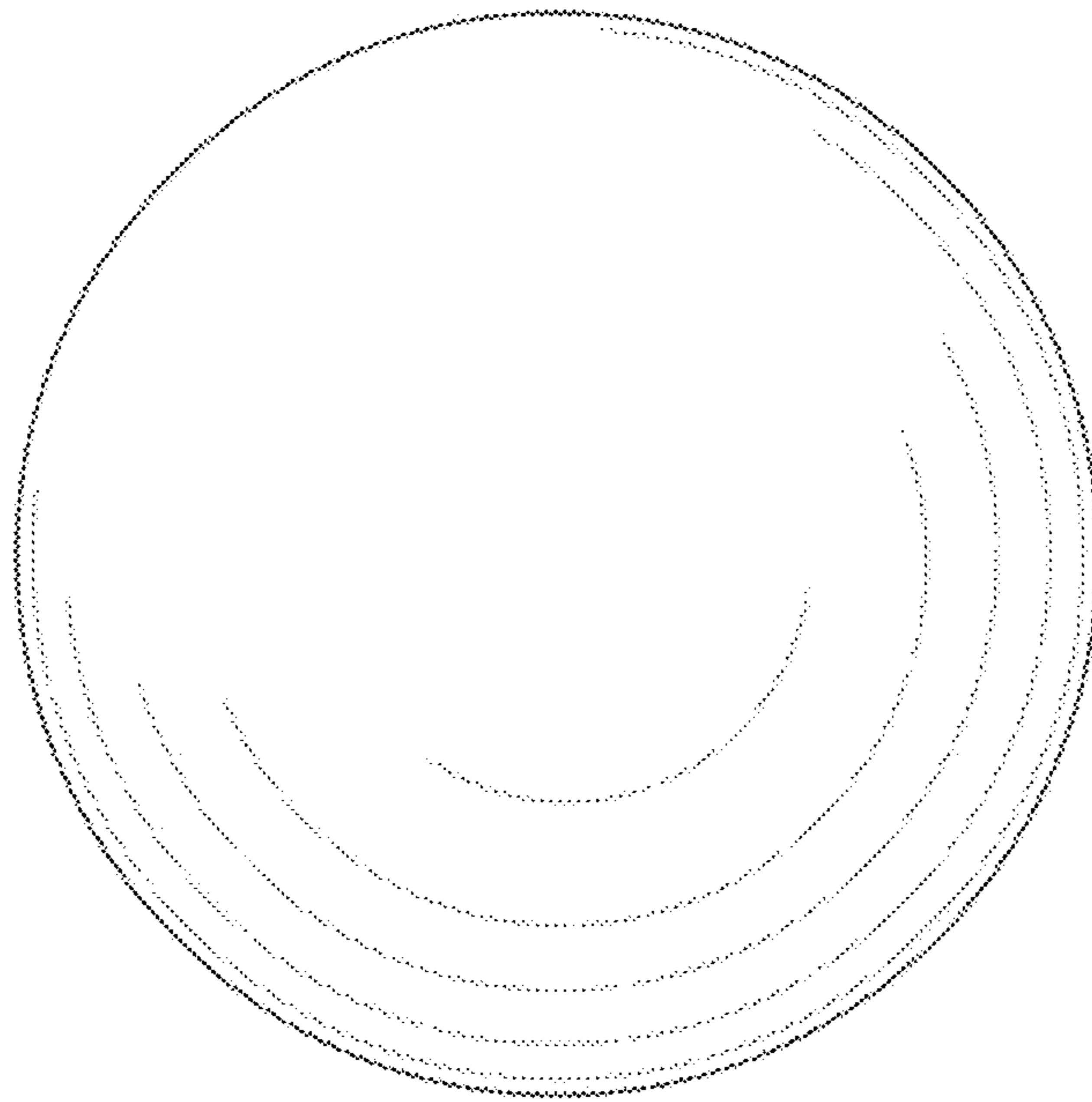


FIG. 5

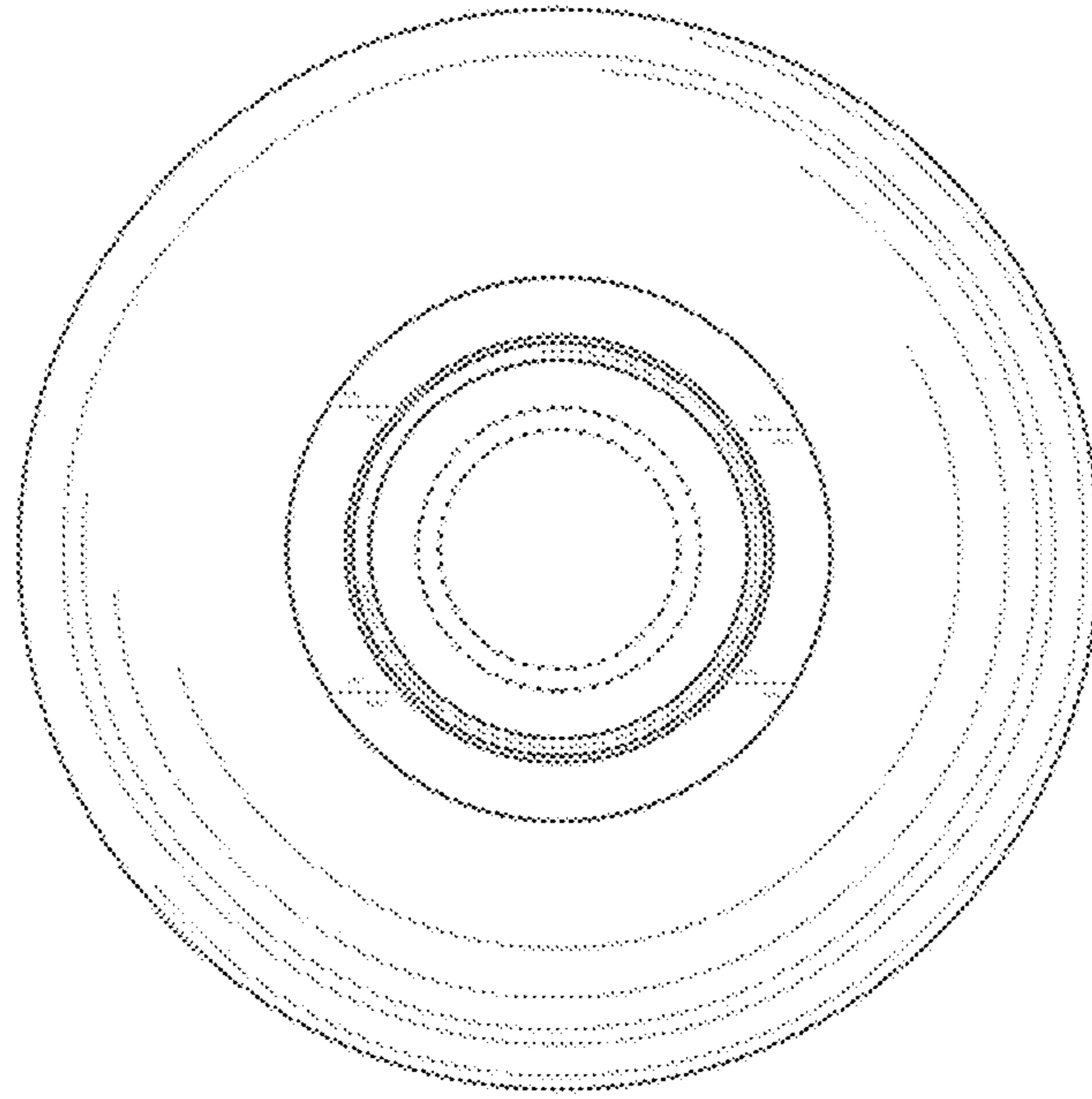


FIG. 6

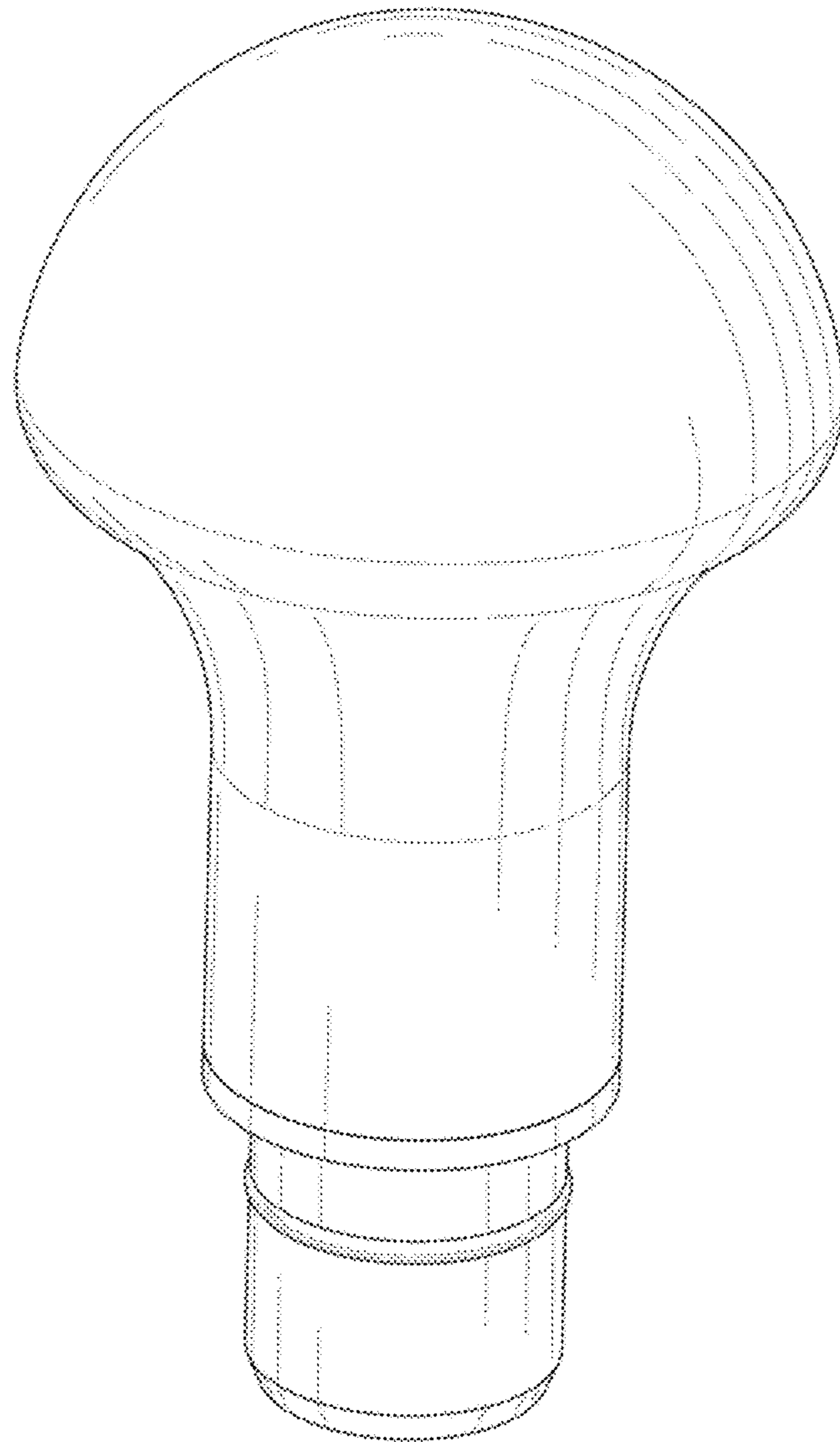


FIG. 7