



US00D961792S

(12) **United States Design Patent** (10) **Patent No.:** **US D961,792 S**
Qin (45) **Date of Patent:** **** Aug. 23, 2022**

(54) **ADJUSTABLE MASSAGE ROLLER**
(71) Applicant: **Shujun Qin**, Jiangsu (CN)
(72) Inventor: **Shujun Qin**, Jiangsu (CN)
(**) Term: **15 Years**
(21) Appl. No.: **29/741,002**
(22) Filed: **Jul. 8, 2020**
(51) **LOC (13) Cl.** **28-03**
(52) **U.S. Cl.**
USPC **D24/211**
(58) **Field of Classification Search**
USPC D24/200, 211, 212, 213, 214, 215;
D30/160; D12/178
CPC A61H 7/001; A61H 15/0092
See application file for complete search history.

D764,066 S * 8/2016 Somjee D24/211
D785,103 S * 4/2017 Townsend D21/662
D788,313 S * 5/2017 Lawrie D24/211
D800,330 S * 10/2017 Loos A61H 15/00
D24/211
D801,400 S * 10/2017 Willison D15/78
D805,649 S * 12/2017 Mizelle D24/211
D809,612 S * 2/2018 Ganea D21/662
D822,772 S * 7/2018 Jorgenson D21/662
D825,695 S * 8/2018 Kim D21/662
D827,846 S * 9/2018 De Nitto D24/211
D829,920 S * 10/2018 Carpinelli D24/211
D833,026 S * 11/2018 Khodabakhshian D24/211
D833,027 S * 11/2018 Viner D24/211
D833,635 S * 11/2018 Chen D24/214

(Continued)

(56) **References Cited**

U.S. PATENT DOCUMENTS

2,546,095 A * 3/1951 Gustlin A61H 15/02
601/121
D253,373 S * 11/1979 Celeste 601/121
D274,649 S * 7/1984 Shiu D24/212
D299,972 S * 2/1989 Moore 401/208
D361,132 S * 8/1995 Lee D24/200
D375,578 S * 11/1996 Hibri D28/37
D660,450 S * 5/2012 Johnson D24/215
D670,817 S * 11/2012 Narevsky D24/211
D689,155 S * 9/2013 Jahns D21/692
D693,934 S * 11/2013 Lin D24/215
D700,346 S * 2/2014 Palizzi D24/211
D700,709 S * 3/2014 Khodabakhshian D24/211
D713,050 S * 9/2014 Kao A61H 15/00
D24/211
D736,398 S * 8/2015 Kwon D24/211
D737,456 S * 8/2015 McDonough A61H 15/0092
D24/211
D749,233 S * 2/2016 Phillips A61H 15/0092
D24/211
D755,304 S * 5/2016 Ackerman D21/698

OTHER PUBLICATIONS

Amazon, "ShadowFit Foam Roller", Nov. 18, 2020. https://www.amazon.com/Shadowfit-Adjustable-Equipment-Tissues-Massage/dp/B08NSQ2D98/ref=sr_1_6?keywords=Collapsible%2BFoam%2BRoller&qid=1641226616&sr=8-6&th=1. Shown on p. 1. (Year: 2020).*

Primary Examiner — Michael A Maharajh

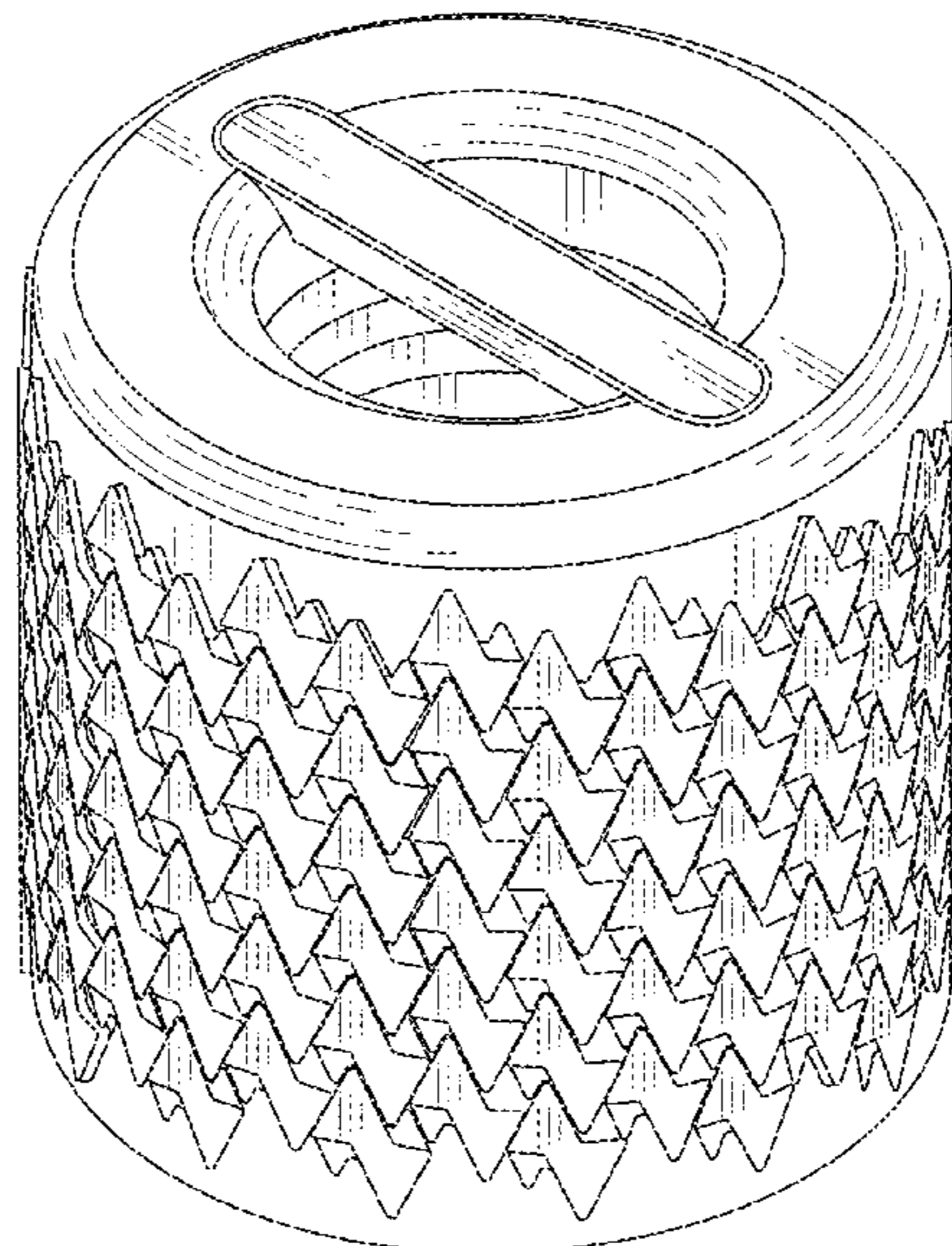
(57) **CLAIM**

The ornamental design for an adjustable massage roller, as shown and described.

DESCRIPTION

FIG. 1 is a perspective view of an adjustable massage roller showing my new design;
FIG. 2 is a front elevational view thereof;
FIG. 3 is a rear elevational view thereof;
FIG. 4 is a left side elevational view thereof;
FIG. 5 is a right side elevational view thereof;
FIG. 6 is a top plan view thereof;
FIG. 7 is a bottom plan view thereof; and,
FIG. 8 is another perspective view shown in an alternate configuration thereof.

1 Claim, 8 Drawing Sheets



(56)

References Cited

U.S. PATENT DOCUMENTS

D842,486 S * 3/2019 Kaoru D24/211
D845,498 S * 4/2019 Johnson D24/211
D849,338 S * 5/2019 Becattini, Jr. D30/160
D863,579 S * 10/2019 Wang D24/211
D863,583 S * 10/2019 Carpinello D24/213
D871,685 S * 12/2019 McMillan D30/160
D872,387 S * 1/2020 Crane D30/160
D876,657 S * 2/2020 Lin D24/211
10,561,923 B1 * 2/2020 Harvey A63B 21/4035
D882,805 S * 4/2020 Lien D24/211
D884,804 S * 5/2020 Ross D21/662
D886,314 S * 6/2020 Morris D24/211
D887,094 S * 6/2020 Ruan D30/160
D903,890 S * 12/2020 Spratt D24/215
2016/0279009 A1 * 9/2016 Somjee A61H 1/008
2016/0331628 A1 * 11/2016 Kuo A61H 7/007
2018/0289581 A1 * 10/2018 Zook A61H 1/00
2019/0110947 A1 * 4/2019 Ekema A61H 15/0092

* cited by examiner

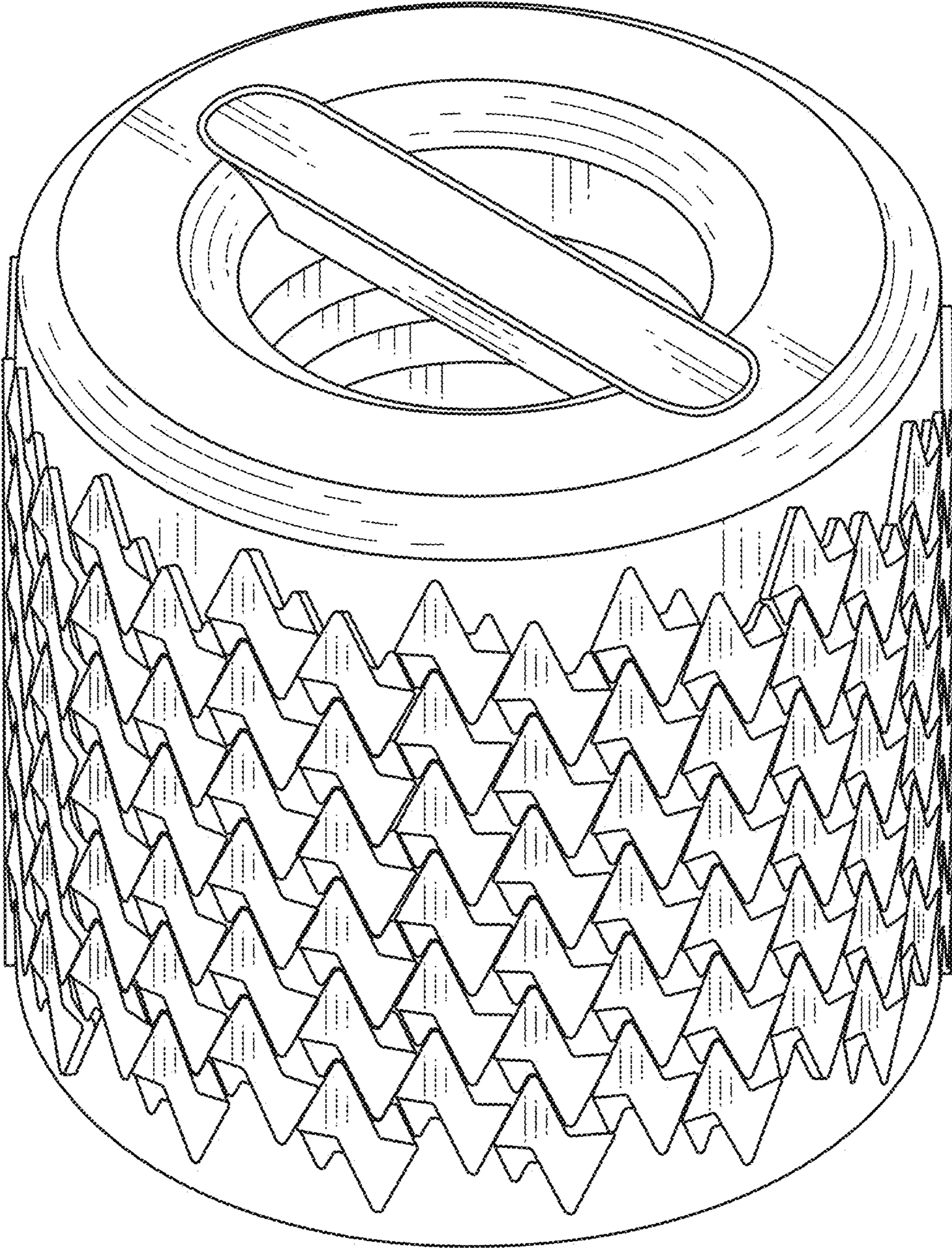


FIG.1

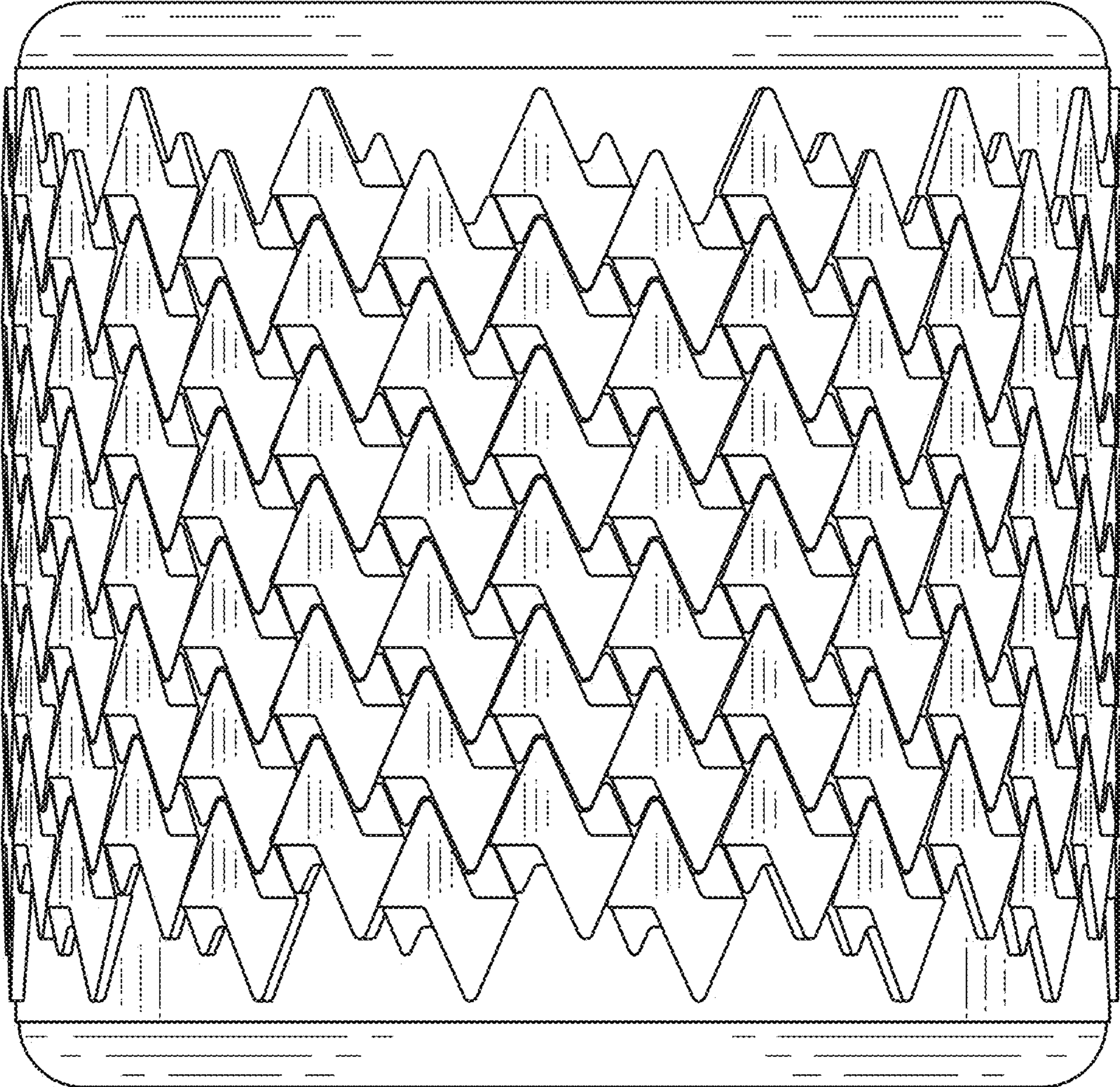


FIG.2

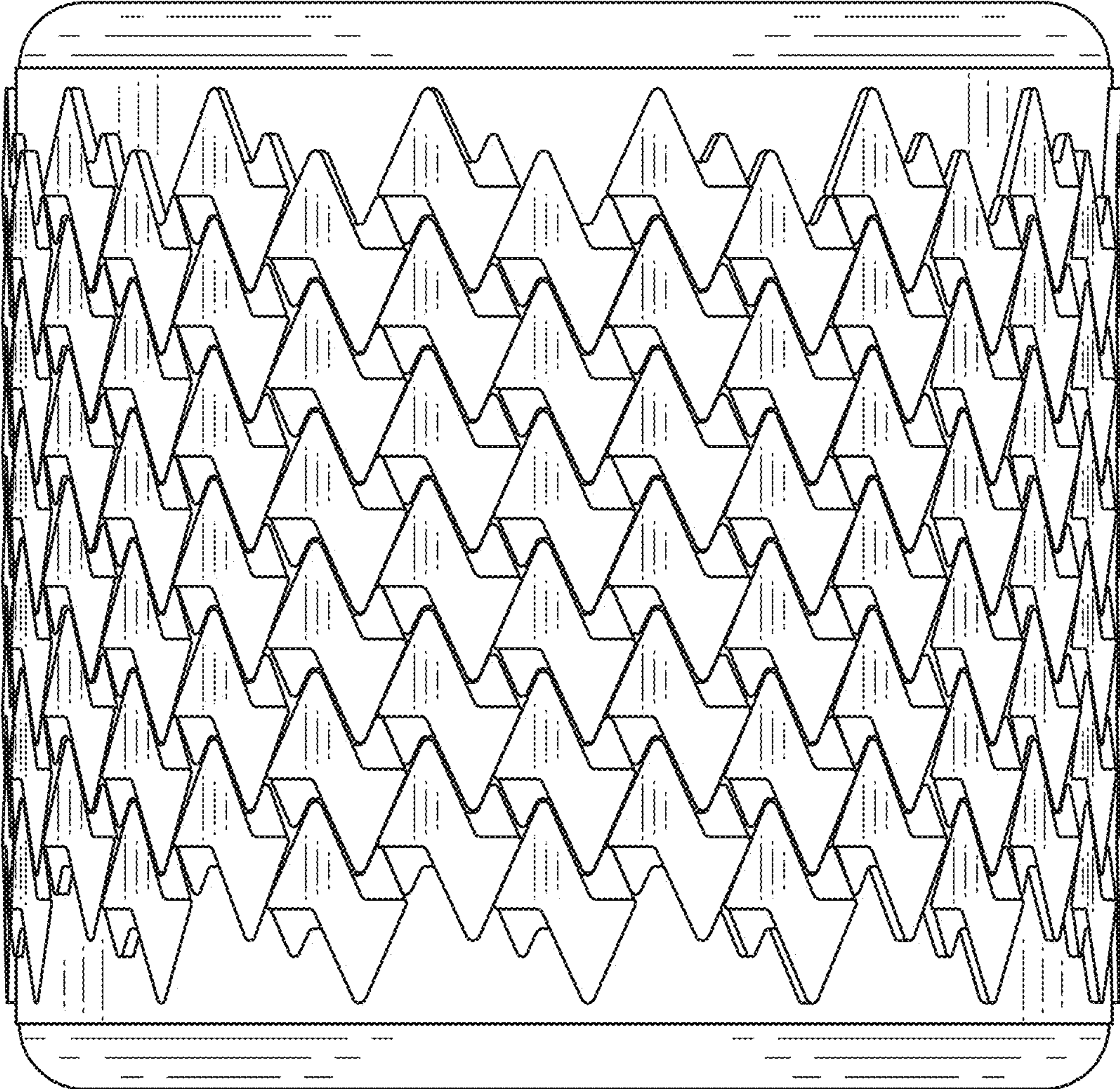


FIG.3

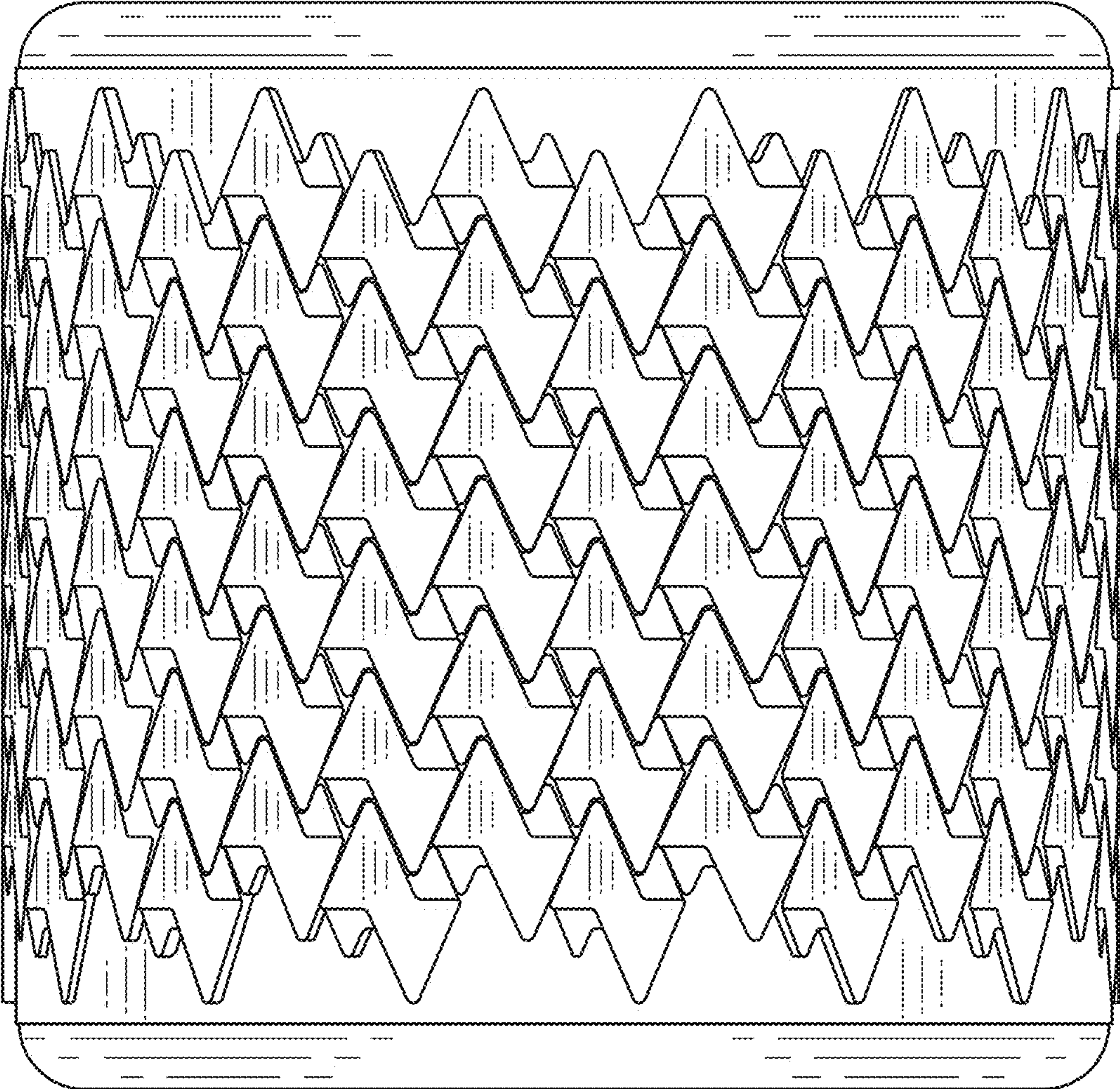


FIG.4

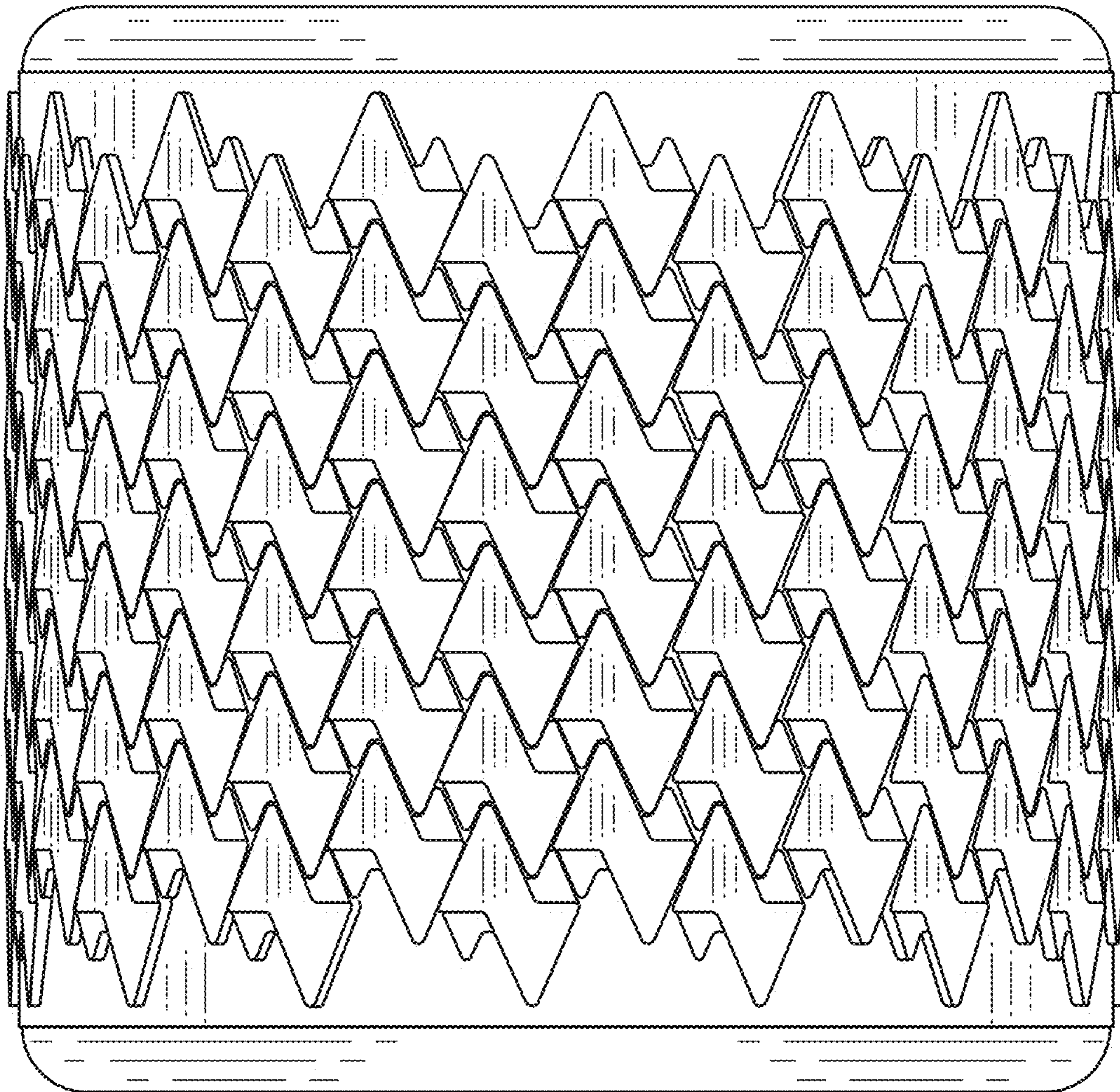


FIG.5

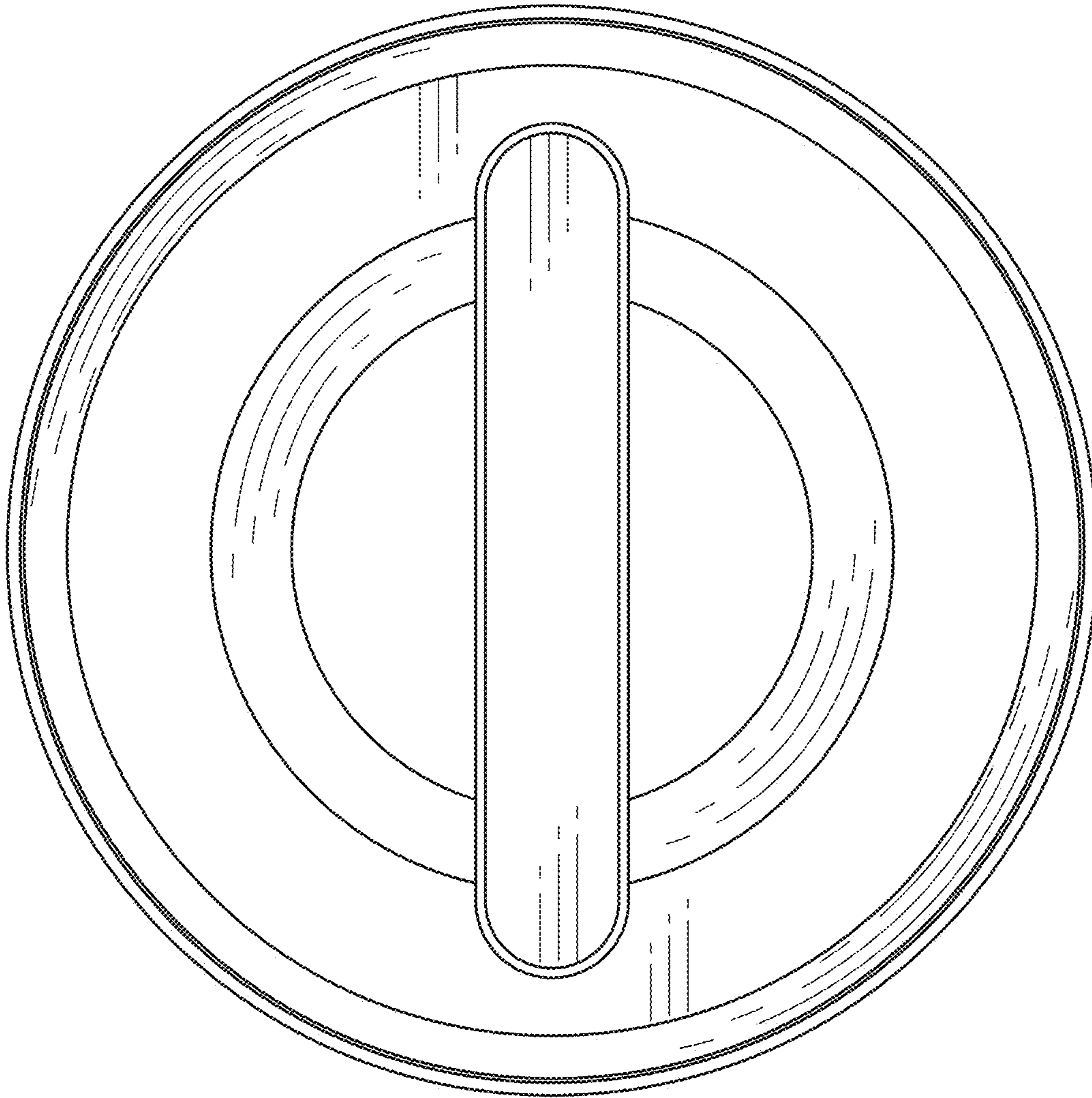


FIG.6

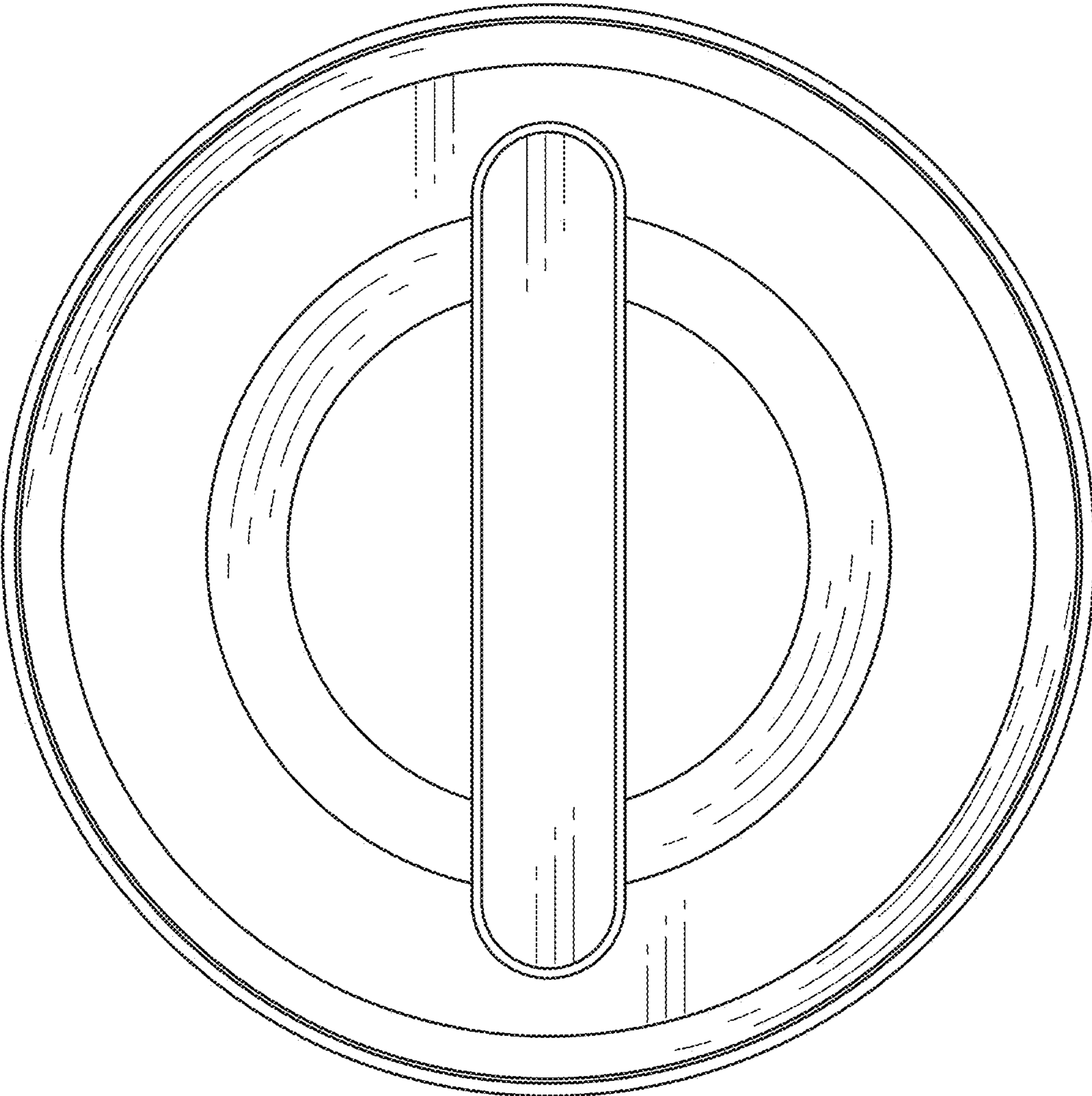


FIG.7

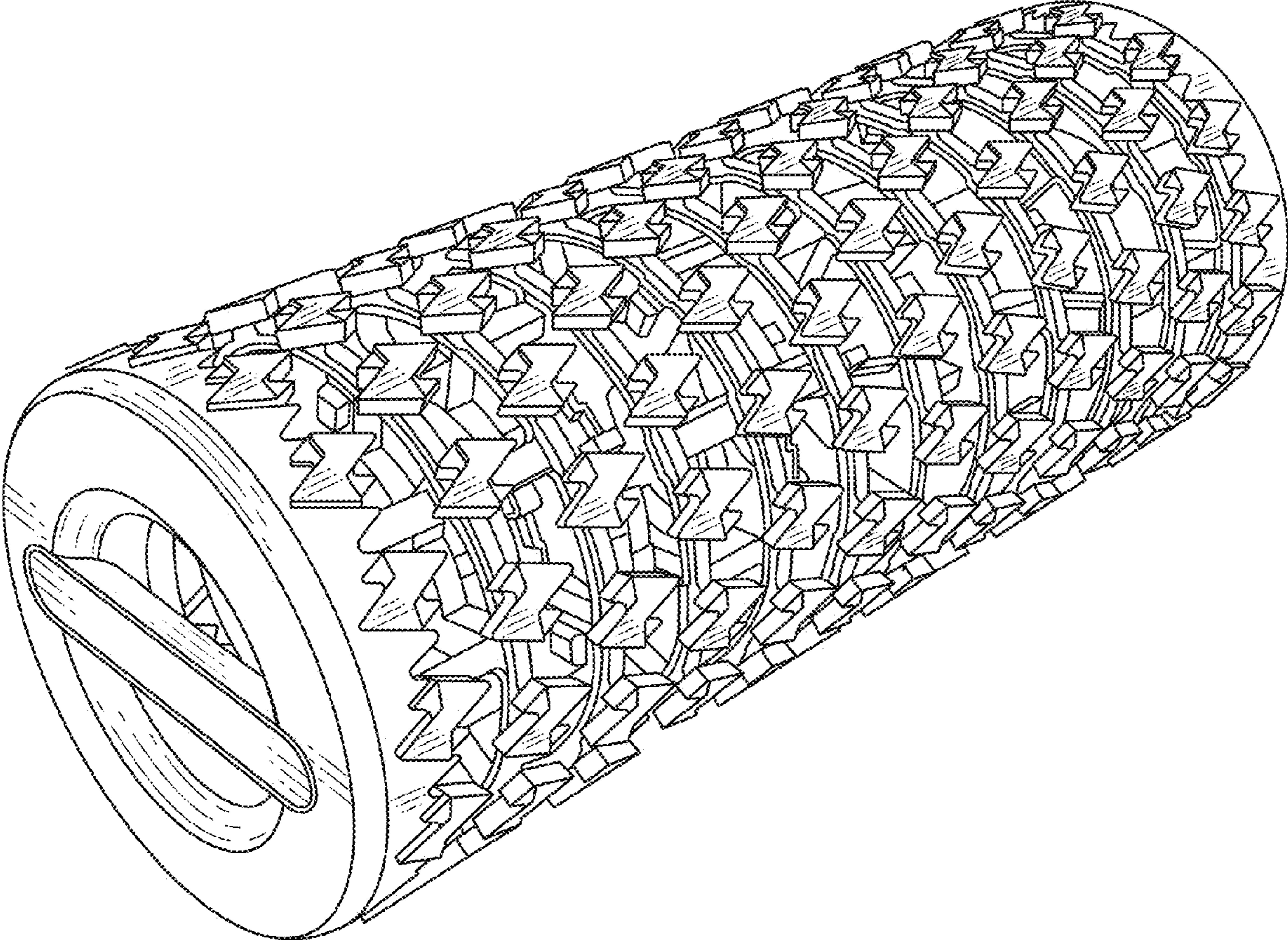


FIG.8