



US00D961789S

(12) **United States Design Patent**
Ding

(10) **Patent No.:** **US D961,789 S**

(45) **Date of Patent:** **** Aug. 23, 2022**

(54) **NECK COOLER**

(71) Applicant: **THEKU TECH INC**, Los Angeles, CA
(US)

(72) Inventor: **Liqi Ding**, Hong Kong (CN)

(**) Term: **15 Years**

(21) Appl. No.: **29/755,170**

(22) Filed: **Oct. 19, 2020**

(51) **LOC (13) Cl.** **28-03**

(52) **U.S. Cl.**
USPC **D24/206; D23/370**

(58) **Field of Classification Search**
USPC D24/206–208; D23/314, 332, 370,
D23/380–381, 333, 351
CPC A61F 7/02; A61F 7/10; A61F 2007/0009;
A61F 2007/0011; A41D 20/005; F04D
25/0673
See application file for complete search history.

(56) **References Cited**

U.S. PATENT DOCUMENTS

- 5,802,865 A * 9/1998 Strauss A61F 7/10
62/259.3
- 6,125,636 A * 10/2000 Taylor A61F 7/10
62/3.5
- 6,189,327 B1 * 2/2001 Strauss A61F 7/10
62/259.3
- D442,269 S * 5/2001 Pinchuk D24/206
- D455,481 S * 4/2002 Christianson D24/206
- D457,945 S * 5/2002 Pinchuk D24/206
- 6,682,552 B2 * 1/2004 Ramsden A61F 7/10
607/114
- D676,139 S * 2/2013 Golzari D24/206
- D890,354 S * 7/2020 Fang D24/206
- 10,709,601 B2 * 7/2020 Adair A61F 7/02

- D903,886 S * 12/2020 Hamaguchi D24/206
- 10,893,711 B1 * 1/2021 Davis A61F 7/02
- 2011/0106227 A1 * 5/2011 Desiderio A61F 7/02
607/111

OTHER PUBLICATIONS

Ultra Cool TEC Wearable Air Conditioner For 2021 Hot Summer.
Dec. 19, 2020. Retrieved Mar. 29, 2022. Retrieved from the
Internet: <<https://awesomemegadgets360.blogspot.com/2020/12/ultra-cool-tec-wearable-air-conditioner.html>>.*

* cited by examiner

Primary Examiner — Wan Laymon

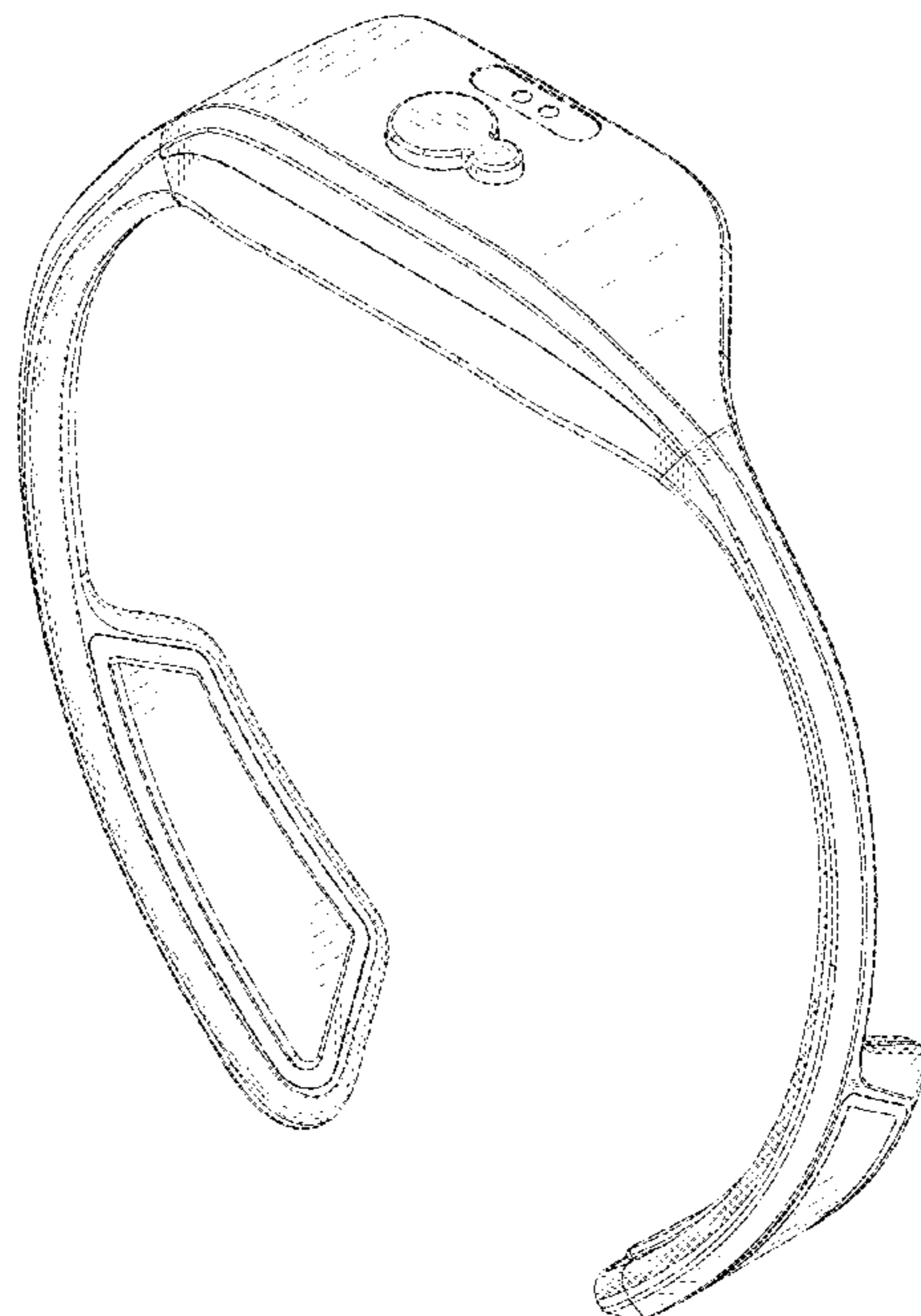
(57) **CLAIM**

The ornamental design for a neck cooler, as shown and described.

DESCRIPTION

FIG. 1 is a perspective view of a neck cooler showing my new design;
FIG. 2 is a top view thereof;
FIG. 3 is a left view thereof;
FIG. 4 is a front side view thereof;
FIG. 5 is a right side view thereof;
FIG. 6 is a bottom view thereof; and,
FIG. 7 is a back view thereof.
The broken line shown in the drawings is included for the purpose of illustrating portions of the neck cooler and forms no part of the claimed design.

1 Claim, 7 Drawing Sheets



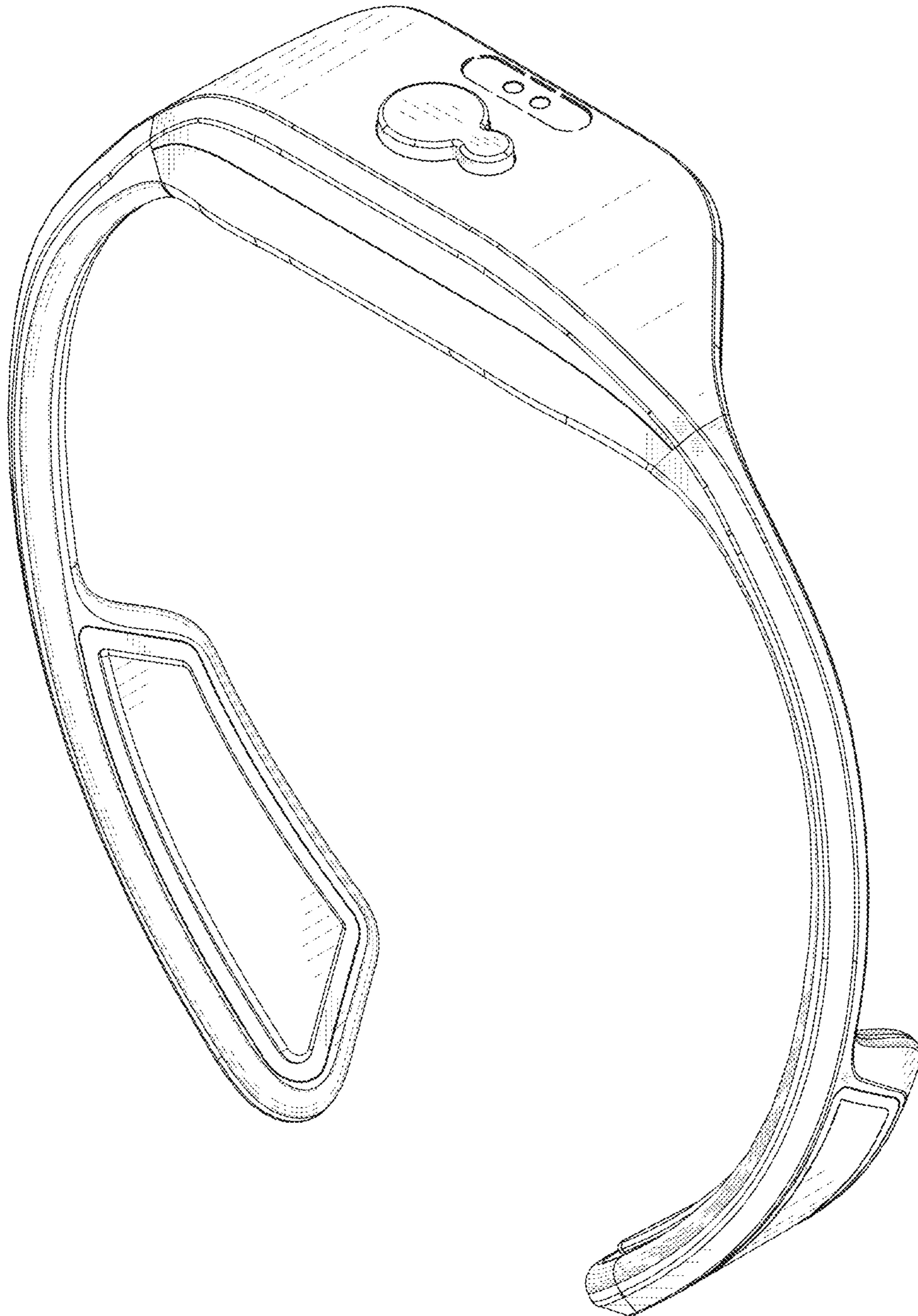


FIG. 1

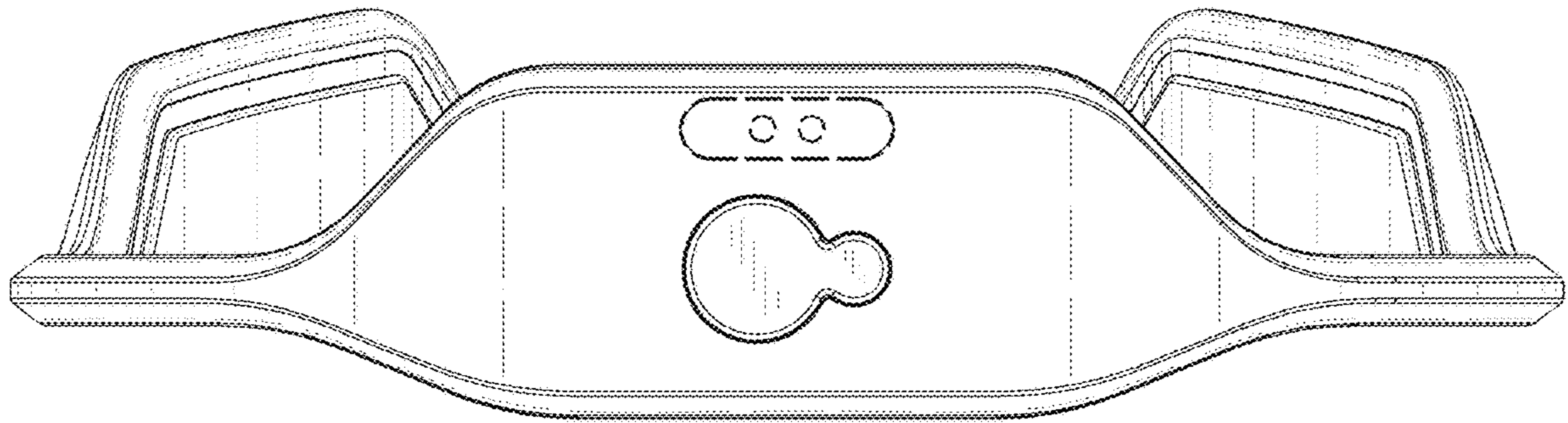


FIG.2

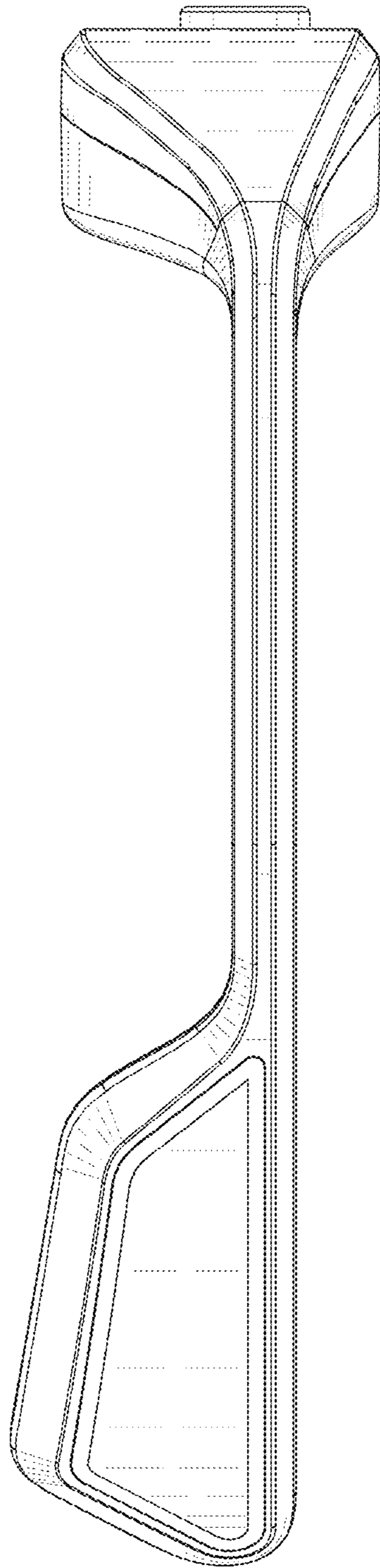


FIG. 3

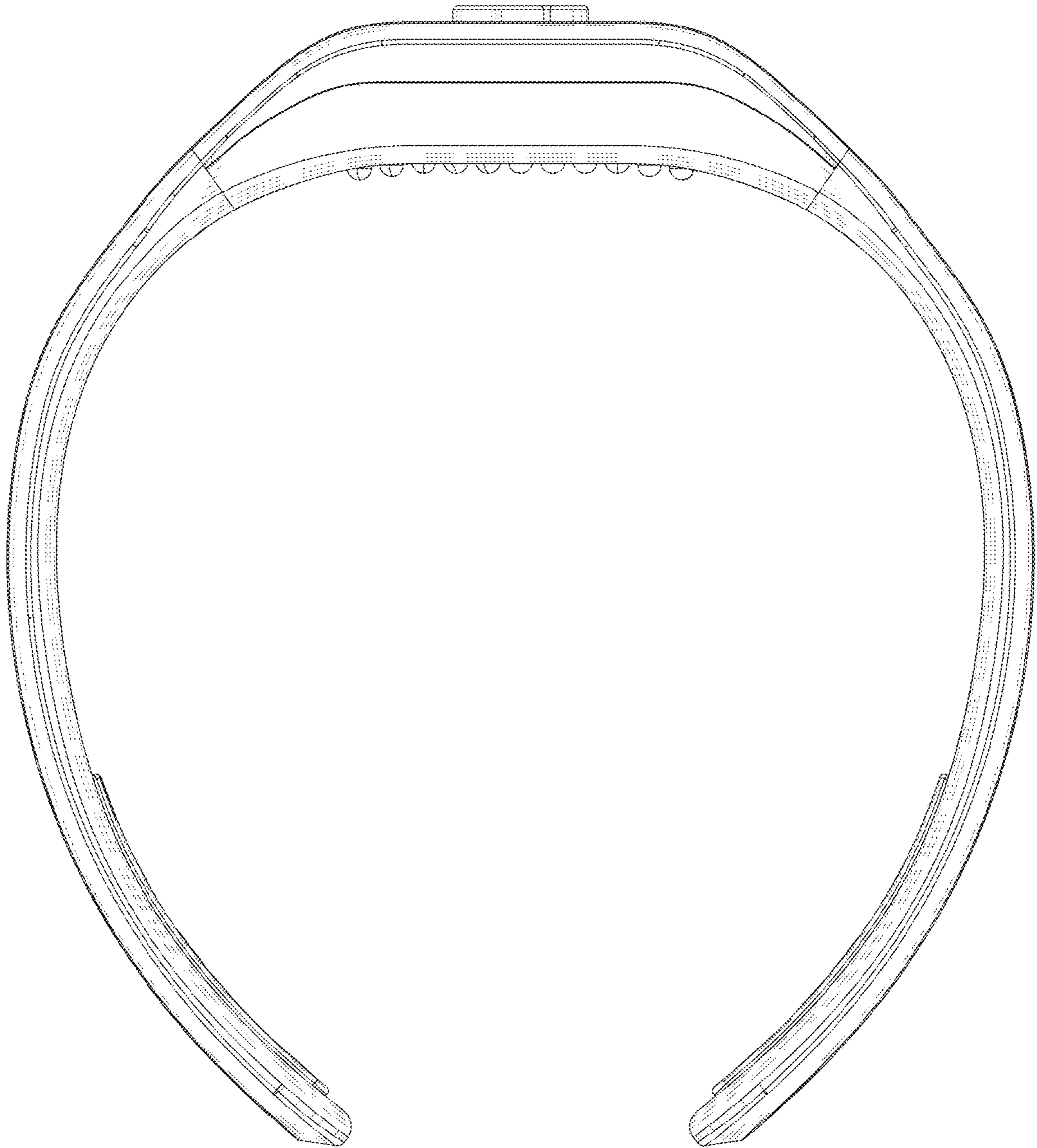


FIG. 4

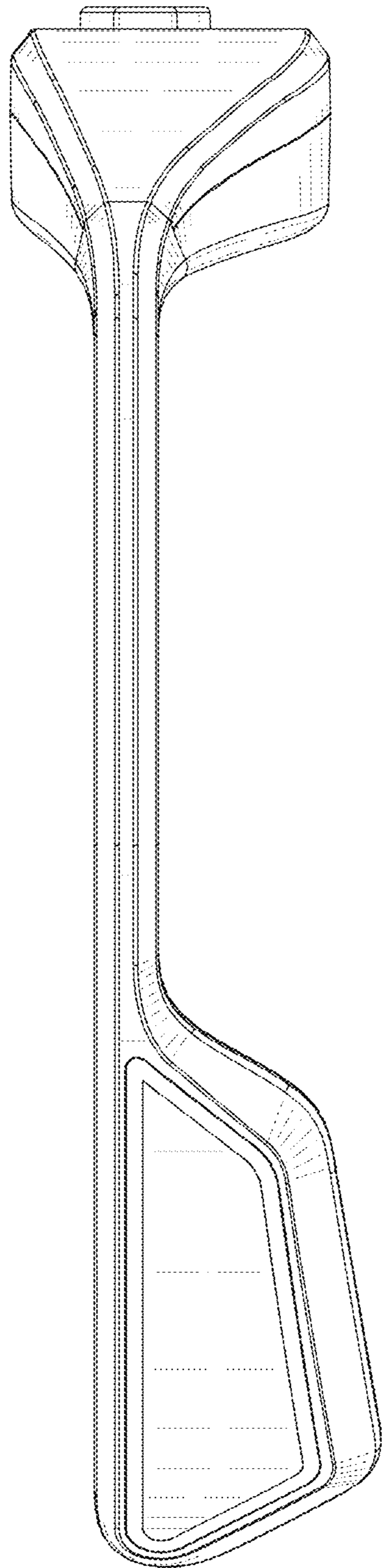


FIG. 5

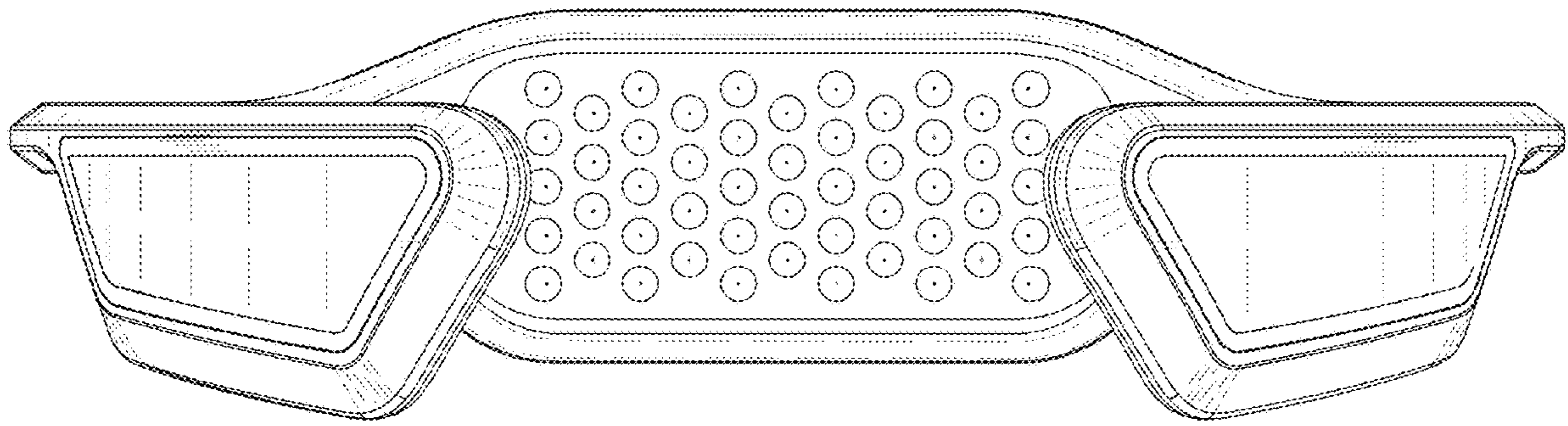


FIG. 6

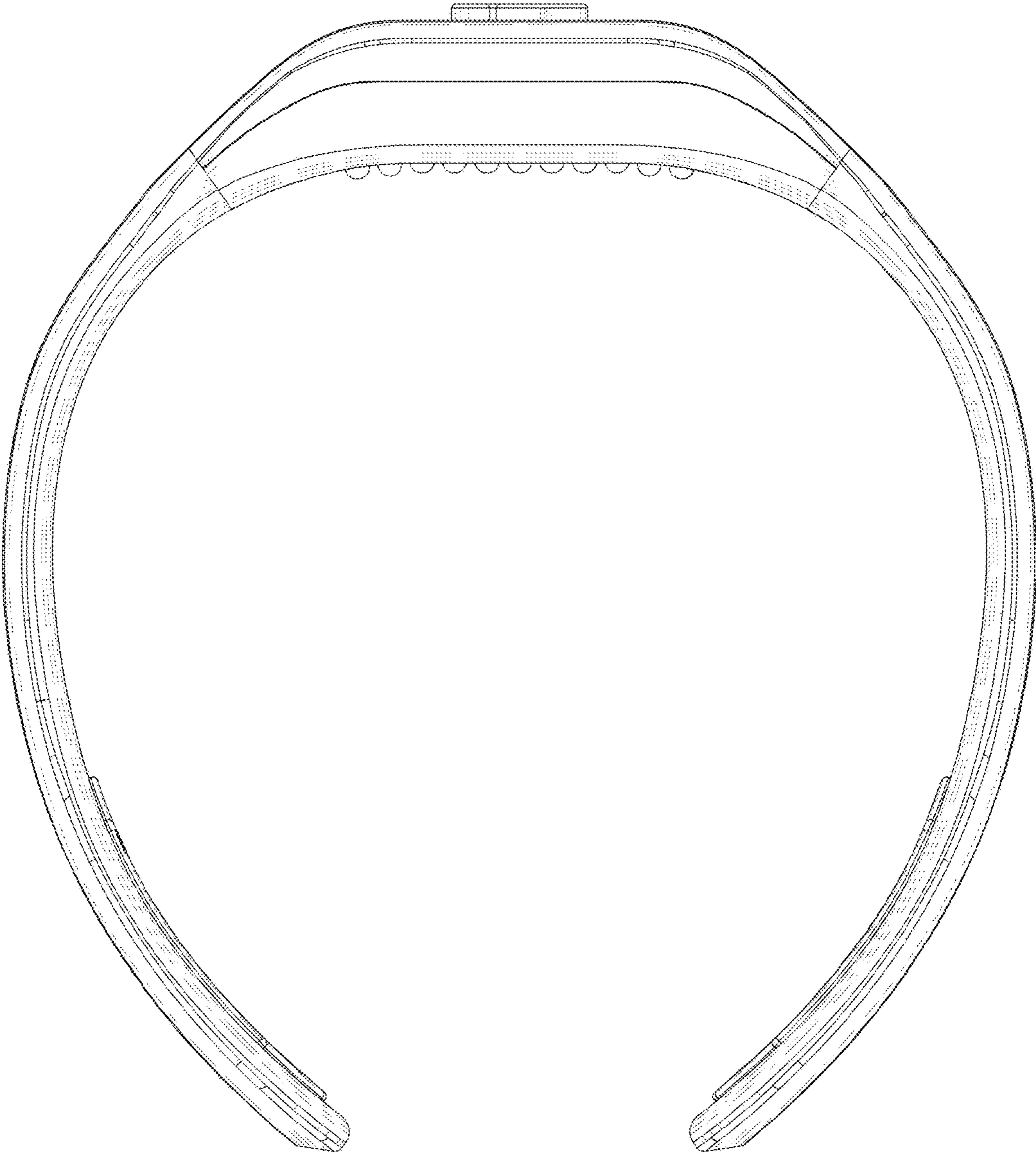


FIG. 7