



US00D961788S

(12) **United States Design Patent**
Chen

(10) **Patent No.:** **US D961,788 S**

(45) **Date of Patent:** **** Aug. 23, 2022**

(54) **TENS UNIT MUSCLE STIMULATOR**
(71) Applicant: **Changsha Yuwen Network Technology Co., Ltd.**, Changsha (CN)
(72) Inventor: **Junyuan Chen**, Changsha (CN)
(73) Assignee: **HAIKOU LILI INVESTMENT CO., LTD.**, Haikou (CN)

(**) Term: **15 Years**
(21) Appl. No.: **29/786,466**
(22) Filed: **Jun. 1, 2021**

(30) **Foreign Application Priority Data**
May 24, 2021 (CN) 202130311162.8

(51) **LOC (13) Cl.** **28-03**
(52) **U.S. Cl.**
USPC **D24/200**

(58) **Field of Classification Search**
USPC D24/200, 185-186, 165
CPC A61N 1/04; A61N 1/0404; A61N 1/0456;
A61N 1/06; A61N 1/08; A61N 1/32;
A61N 1/36; A61N 1/36003; A61N
1/360014; A61N 1/36017; A61N 1/36021;
A61N 1/36057; A61N 1/36071; A61N
1/36128
See application file for complete search history.

(56) **References Cited**
U.S. PATENT DOCUMENTS
8,855,777 B2 * 10/2014 King A61N 1/36071
607/46
D802,780 S * 11/2017 Hsu D24/200
D830,565 S * 10/2018 Xu D24/200

D836,789 S * 12/2018 Jiang D24/200
D868,273 S * 11/2019 Li D24/200
D893,735 S * 8/2020 Yin D24/200
D893,736 S * 8/2020 Yin D24/200
D932,637 S * 10/2021 Hsu D24/200
D936,850 S * 11/2021 Chen D24/200
D939,452 S * 12/2021 Yang D24/200
D954,281 S * 6/2022 Hsu D24/200

* cited by examiner

Primary Examiner — Wan Laymon
(74) *Attorney, Agent, or Firm* — IPro, PLLC

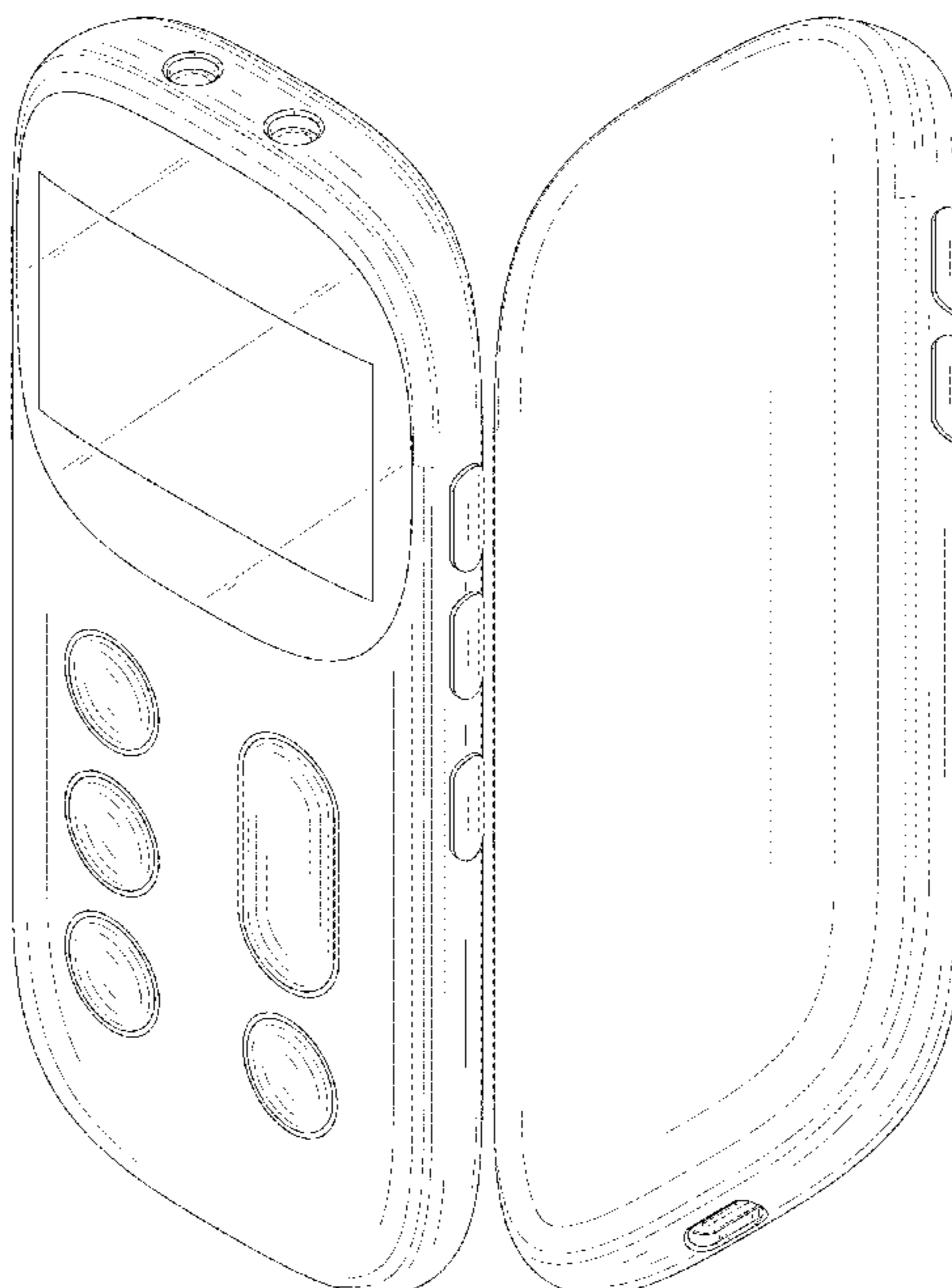
(57) **CLAIM**

The ornamental design for a TENS unit muscle stimulator, as shown and described.

DESCRIPTION

FIG. 1 is a front and right side perspective view of a TENS unit muscle stimulator showing my new design;
FIG. 2 is a rear and left side perspective view of the TENS unit muscle stimulator;
FIG. 3 is a front view of the TENS unit muscle stimulator;
FIG. 4 is a rear view of the TENS unit muscle stimulator;
FIG. 5 is a left side view of the TENS unit muscle stimulator;
FIG. 6 is a right side view of the TENS unit muscle stimulator;
FIG. 7 is a top view of the TENS unit muscle stimulator;
and,
FIG. 8 is a bottom view of the TENS unit muscle stimulator. The broken lines in the drawings depict portions of the TENS unit muscle stimulator that form no part of the claimed design. The oblique shading lines show a transparent or semi-transparent surface, and not surface ornamentation.

1 Claim, 8 Drawing Sheets



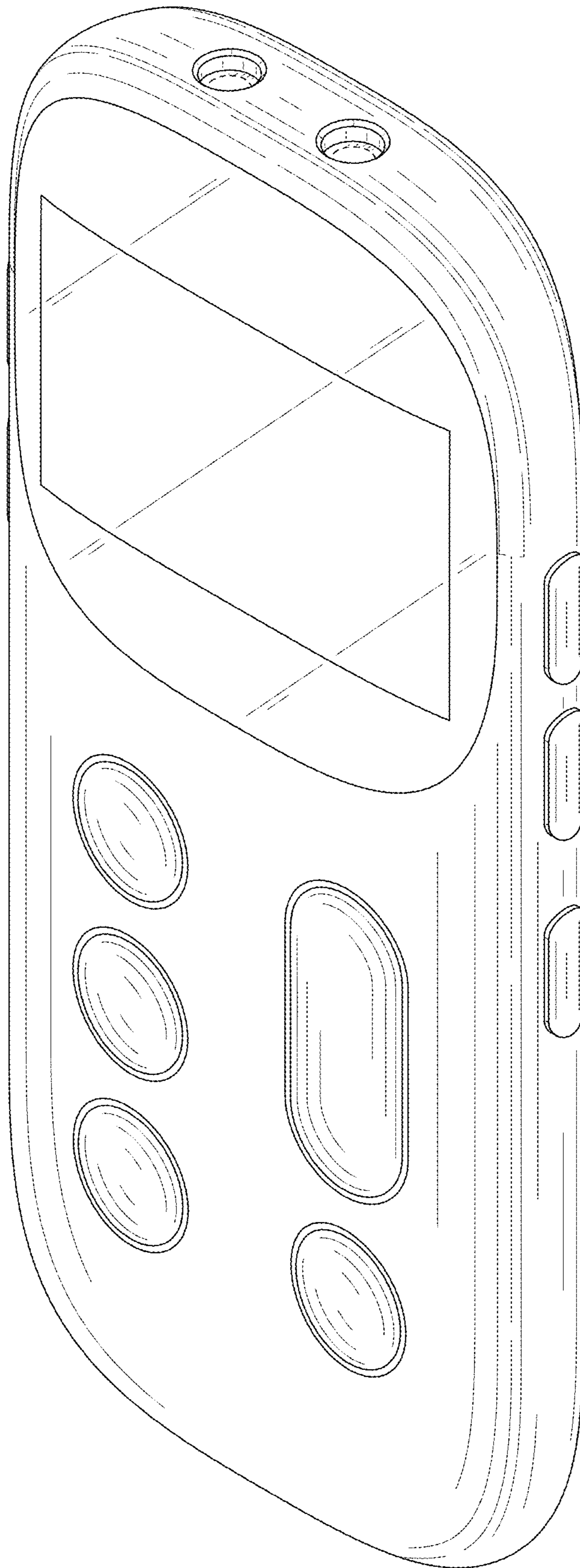


FIG. 1

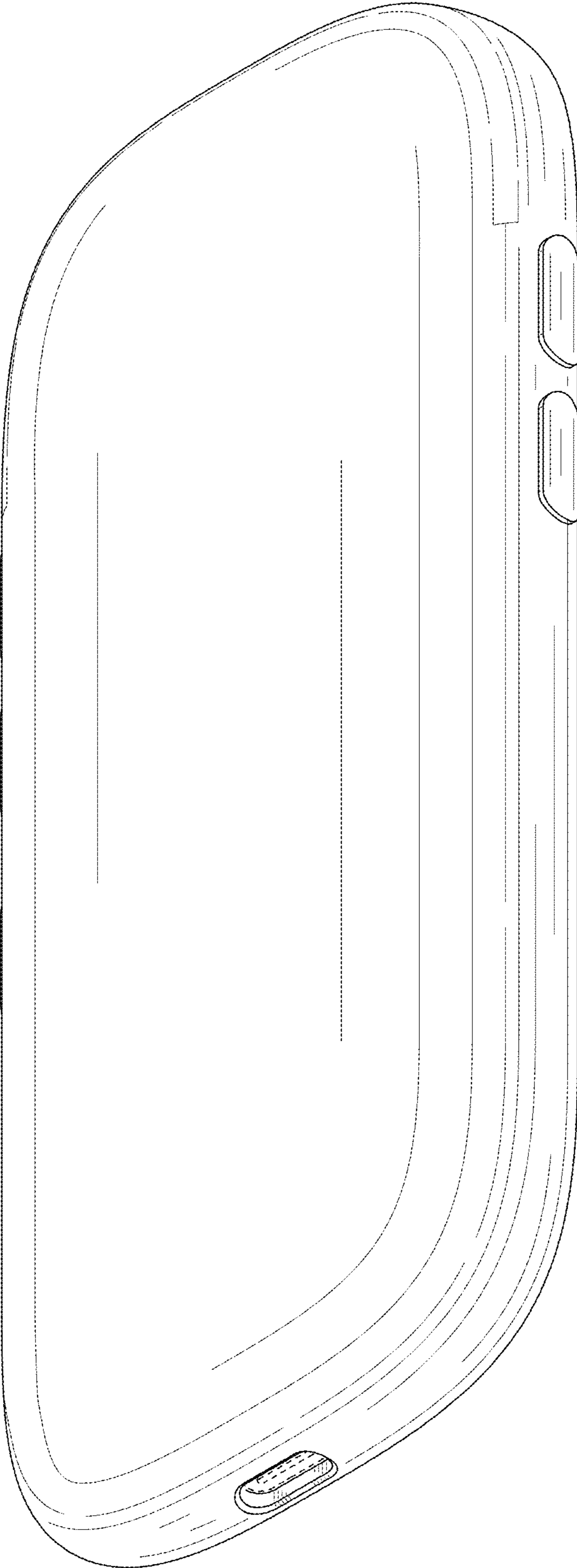


FIG. 2

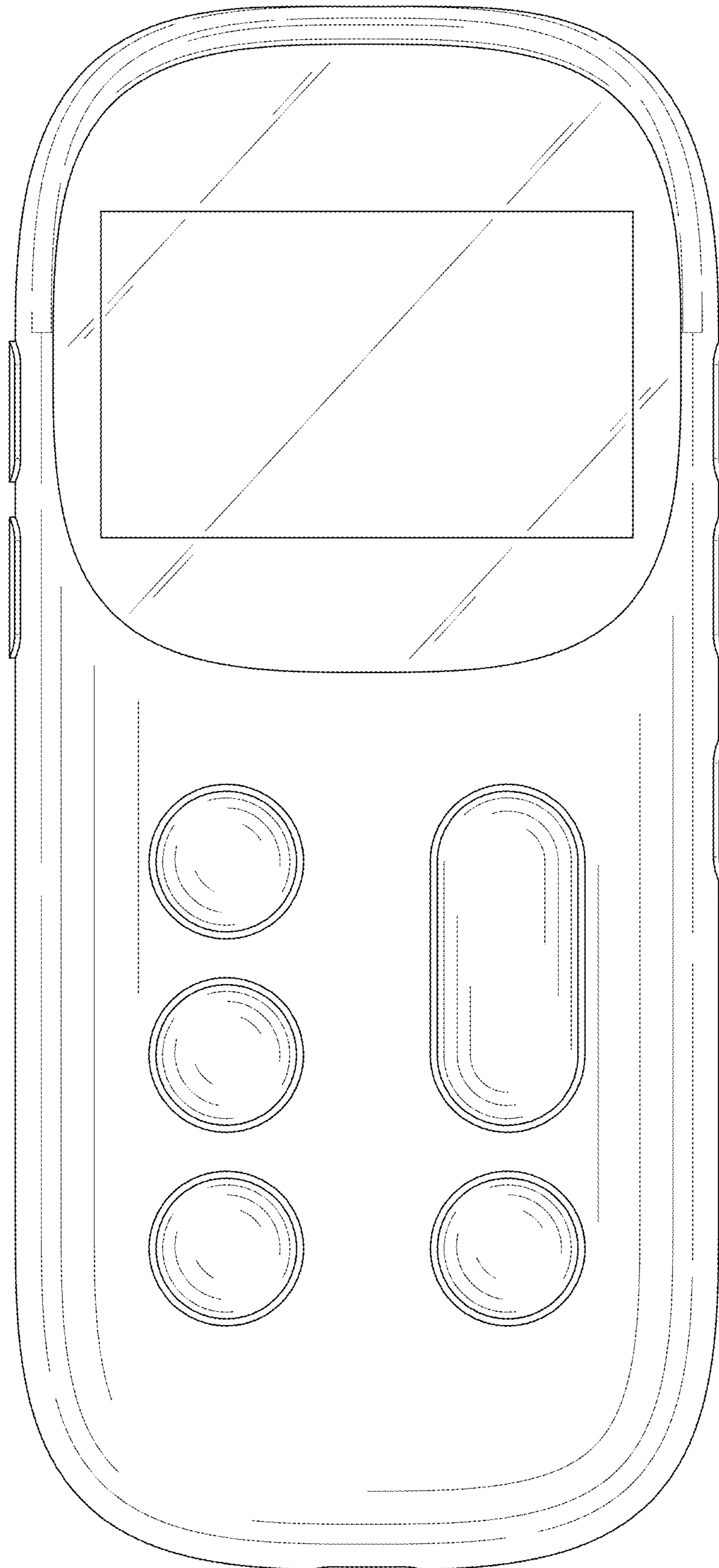


FIG. 3

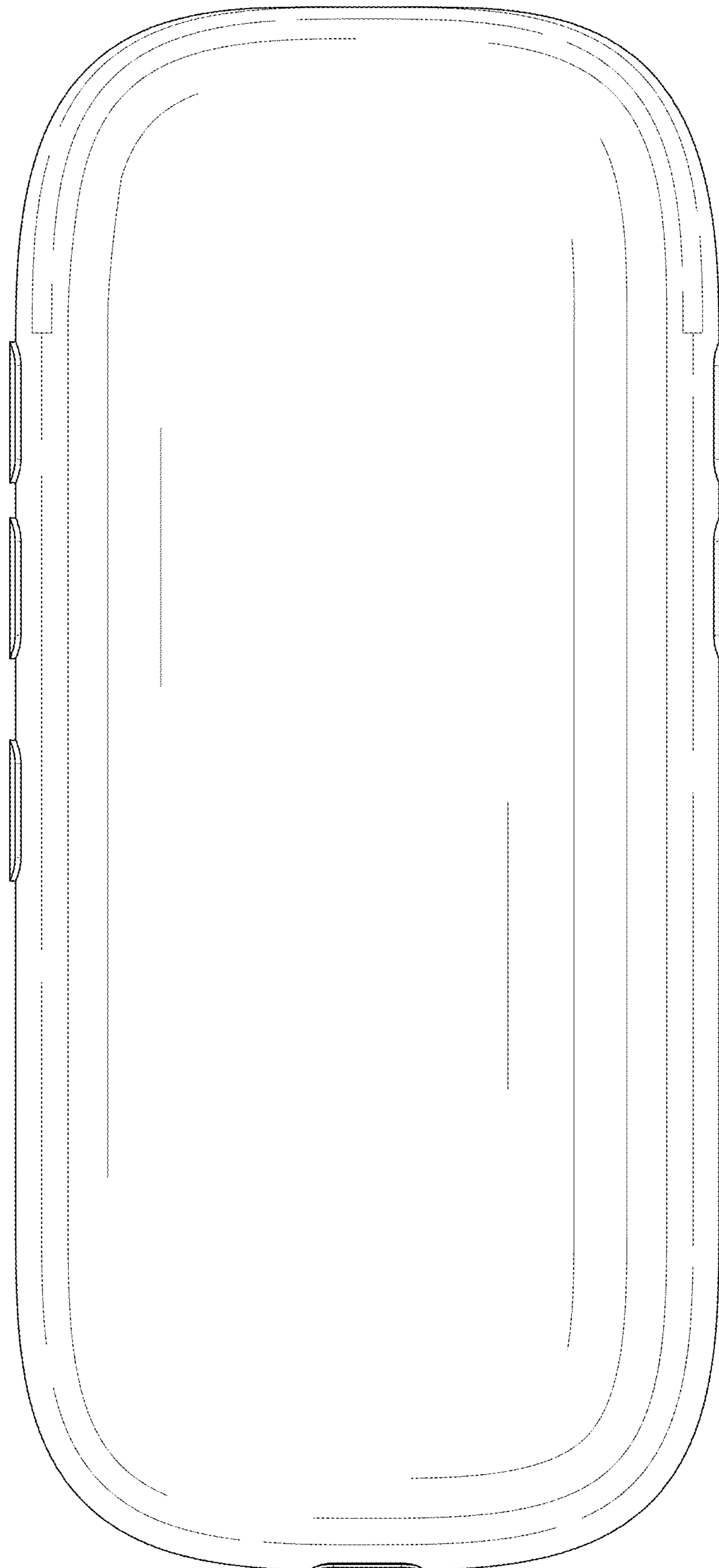


FIG. 4

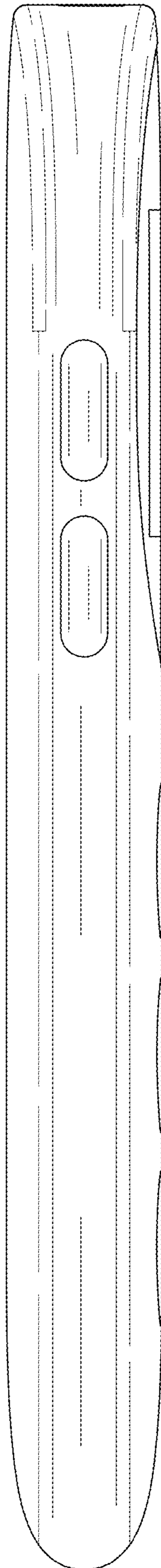


FIG. 5

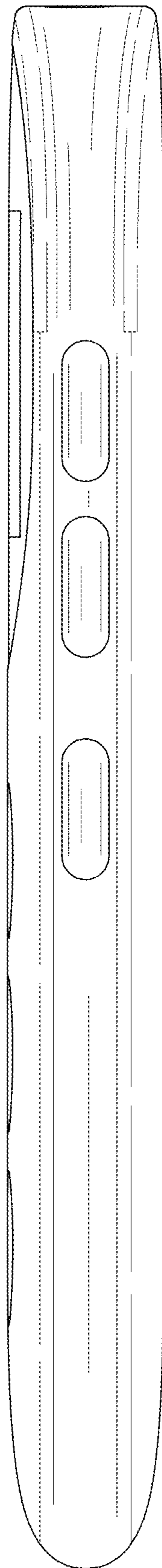


FIG. 6

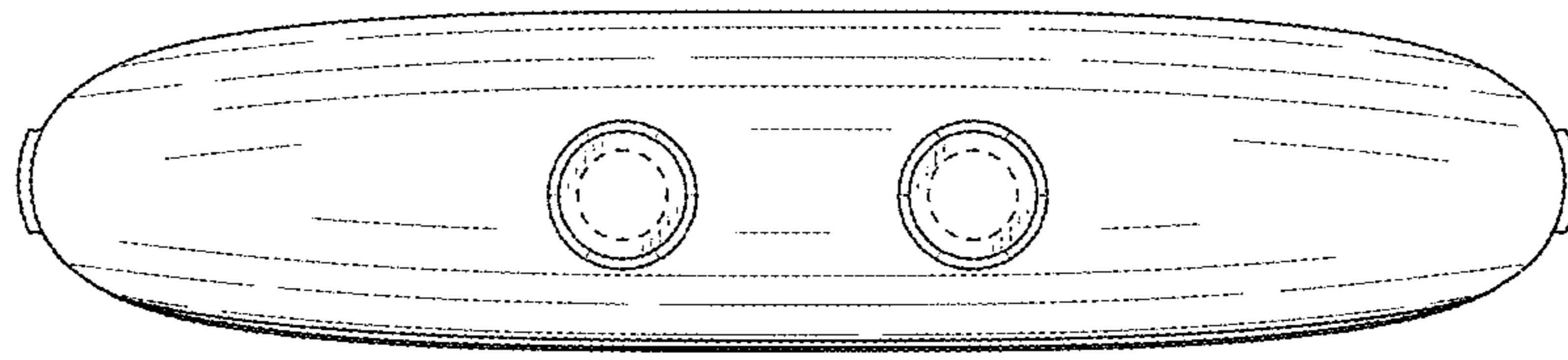


FIG. 7

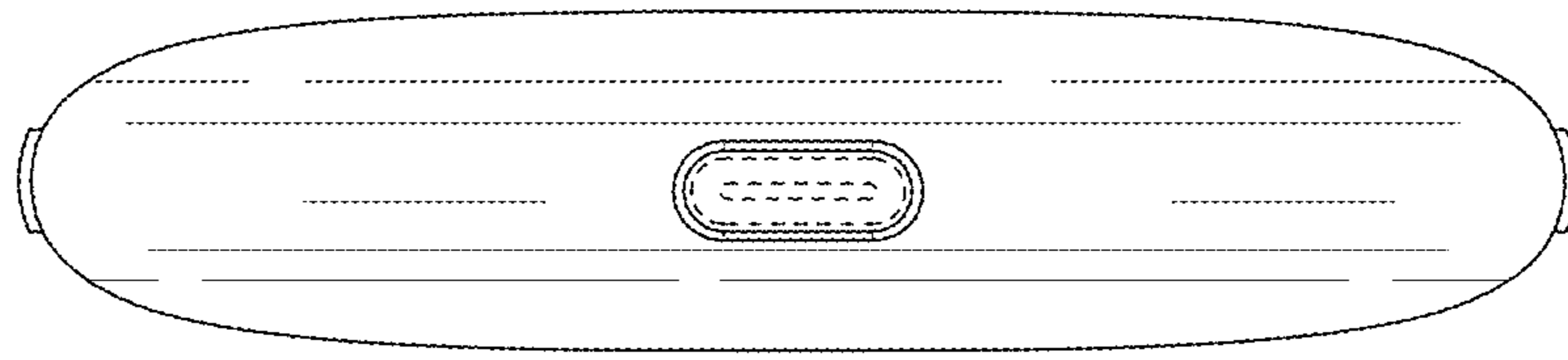


FIG. 8