



US00D961787S

(12) **United States Design Patent**
Chen

(10) **Patent No.:** **US D961,787 S**

(45) **Date of Patent:** **** Aug. 23, 2022**

- (54) **TENS UNIT MUSCLE STIMULATOR**
- (71) Applicant: **Changsha Yuwen Network Technology Co., Ltd.**, Changsha (CN)
- (72) Inventor: **Junyuan Chen**, Changsha (CN)
- (73) Assignee: **HAIKOU LILI INVESTMENT CO., LTD.**, Haikou (CN)

- D830,565 S * 10/2018 Xu D24/200
- D836,789 S * 12/2018 Jiang D24/200
- D868,273 S * 11/2019 Li D24/200
- D893,735 S * 8/2020 Yin D24/200
- D893,736 S * 8/2020 Yin D24/200
- D932,637 S * 10/2021 Hsu D24/200
- D936,850 S * 11/2021 Chen D24/200
- D939,452 S * 12/2021 Yang D24/200
- D954,281 S * 6/2022 Hsu D24/200

(**) Term: **15 Years**

(21) Appl. No.: **29/779,802**

(22) Filed: **Apr. 21, 2021**

(30) **Foreign Application Priority Data**

Apr. 19, 2021 (CN) 202130221243.9

(51) **LOC (13) Cl.** **28-03**

(52) **U.S. Cl.**
USPC **D24/200**

(58) **Field of Classification Search**
USPC D24/200, 185–186, 165
CPC A61N 1/04; A61N 1/0404; A61N 1/0456;
A61N 1/06; A61N 1/08; A61N 1/32;
A61N 1/36; A61N 1/36003; A61N
1/360014; A61N 1/36017; A61N 1/36021;
A61N 1/36057; A61N 1/36071; A61N
1/36128

See application file for complete search history.

(56) **References Cited**

U.S. PATENT DOCUMENTS

- 8,855,777 B2 * 10/2014 King A61N 1/36071
607/46
- D802,780 S * 11/2017 Hsu D24/200

* cited by examiner

Primary Examiner — Wan Laymon

(74) *Attorney, Agent, or Firm* — IPro, PLLC

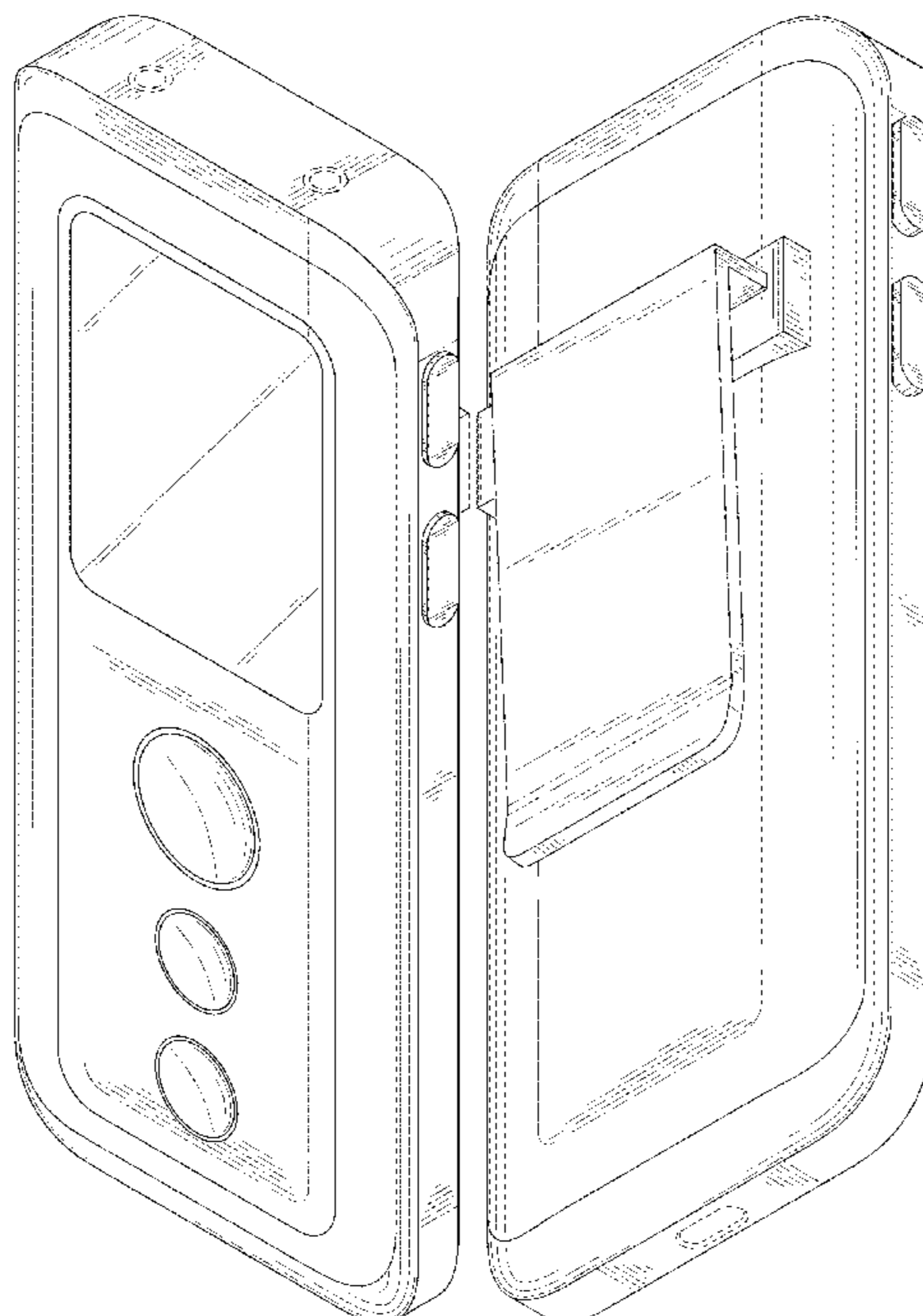
(57) **CLAIM**

The ornamental design for a TENS unit muscle stimulator, as shown and described.

DESCRIPTION

FIG. 1 is a front and right side perspective view of a TENS unit muscle stimulator showing my new design;
 FIG. 2 is a rear and left side perspective view of the TENS unit muscle stimulator;
 FIG. 3 is a front view of the TENS unit muscle stimulator;
 FIG. 4 is a rear view of the TENS unit muscle stimulator;
 FIG. 5 is a left side view of the TENS unit muscle stimulator;
 FIG. 6 is a right side view of the TENS unit muscle stimulator;
 FIG. 7 is a top view of the TENS unit muscle stimulator;
 and,
 FIG. 8 is a bottom view of the TENS unit muscle stimulator.
 The broken lines in the drawings depict portions of the TENS unit muscle stimulator that form no part of the claimed design.

1 Claim, 8 Drawing Sheets



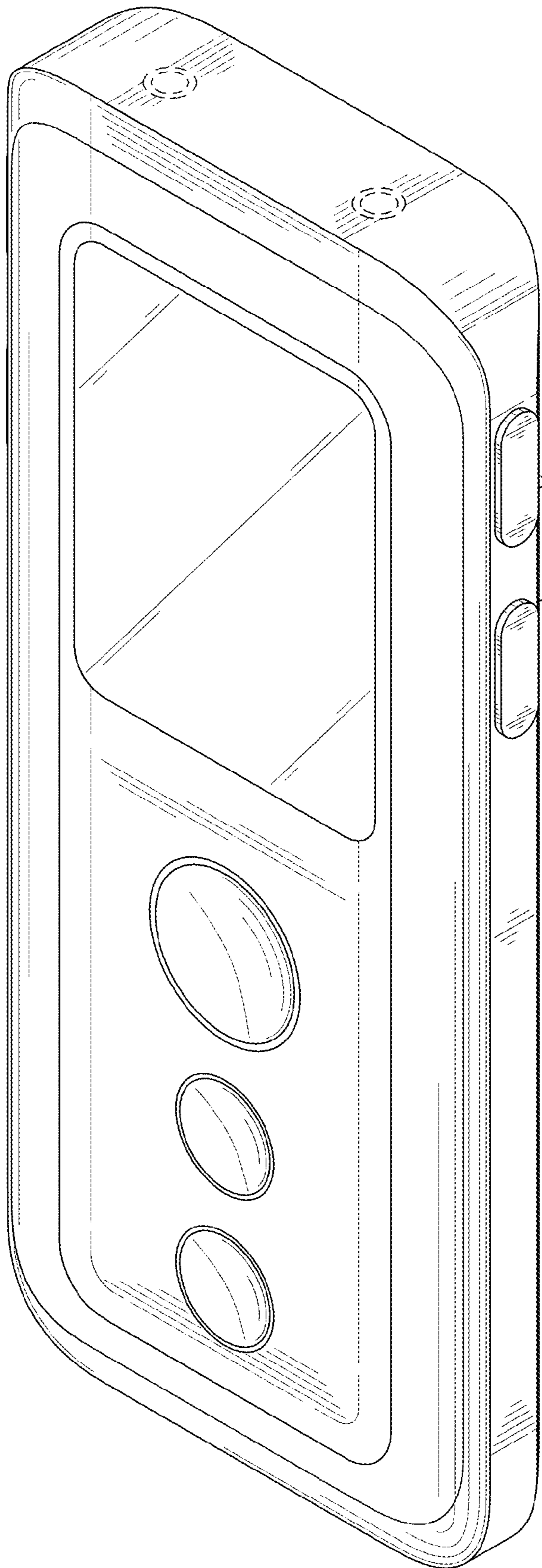


FIG. 1

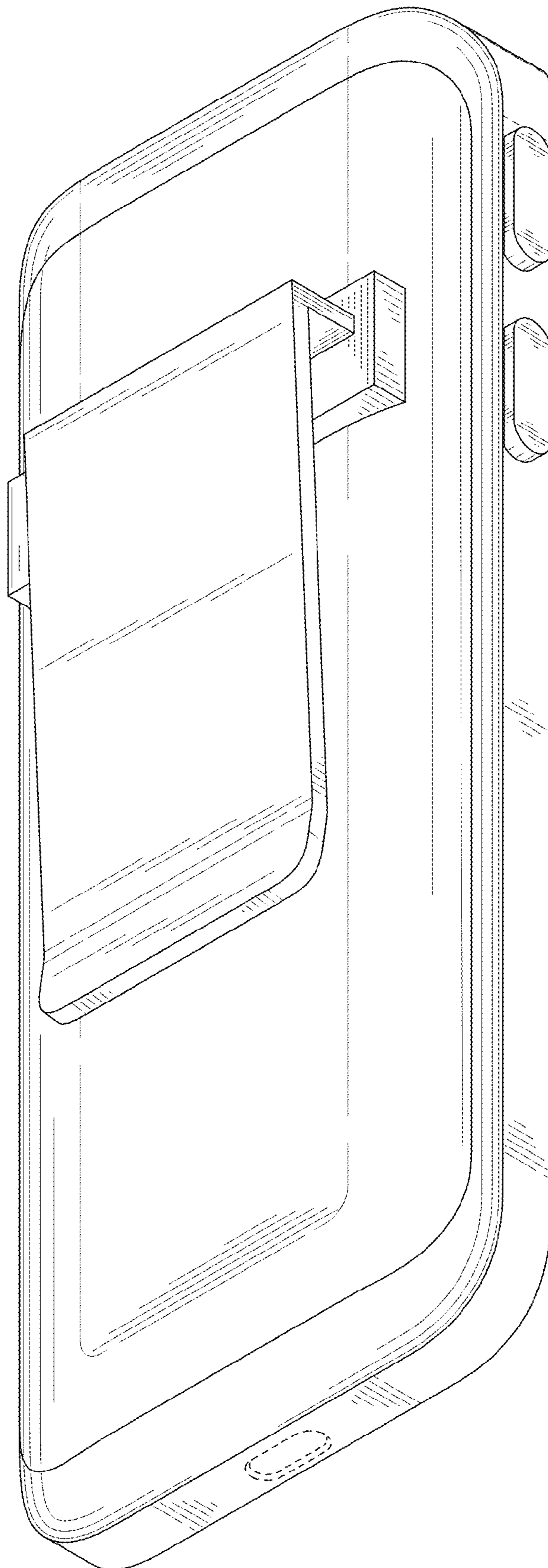


FIG. 2

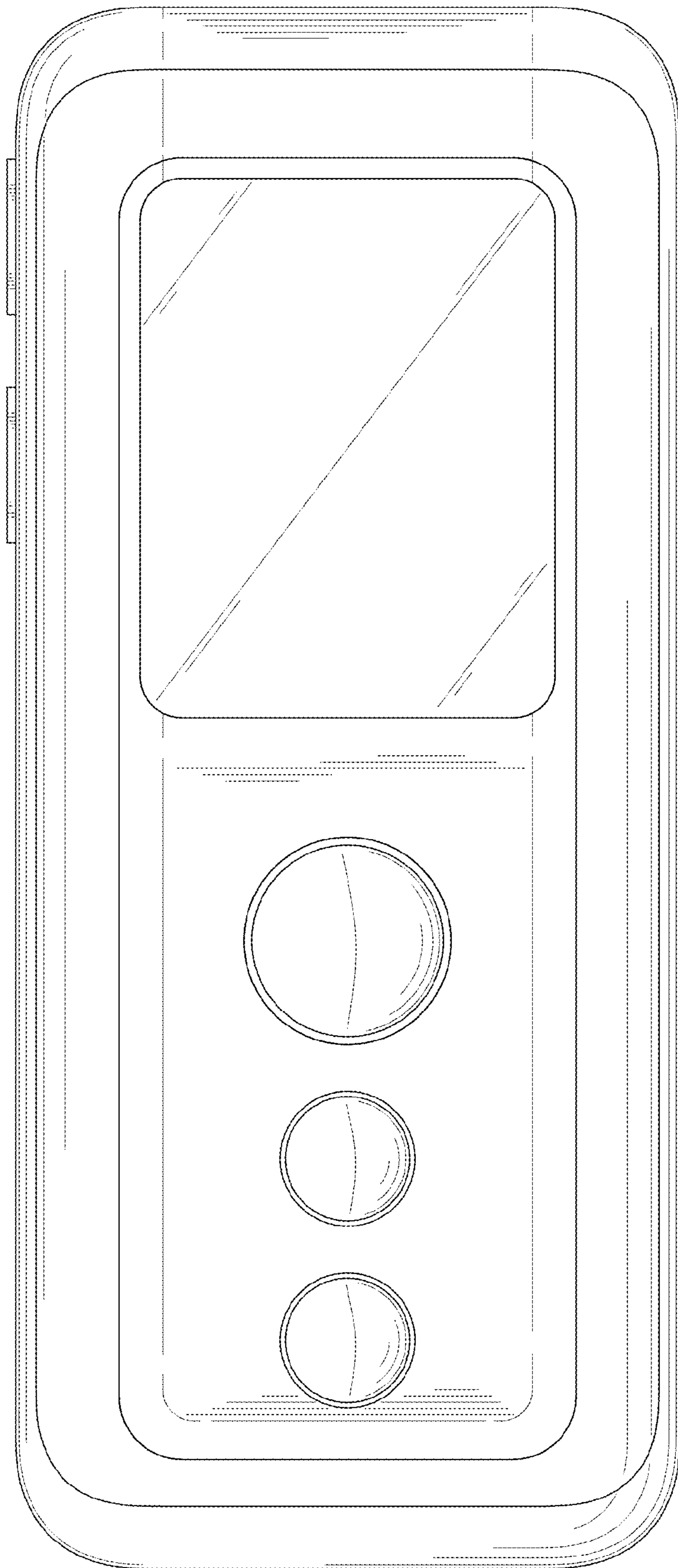


FIG. 3

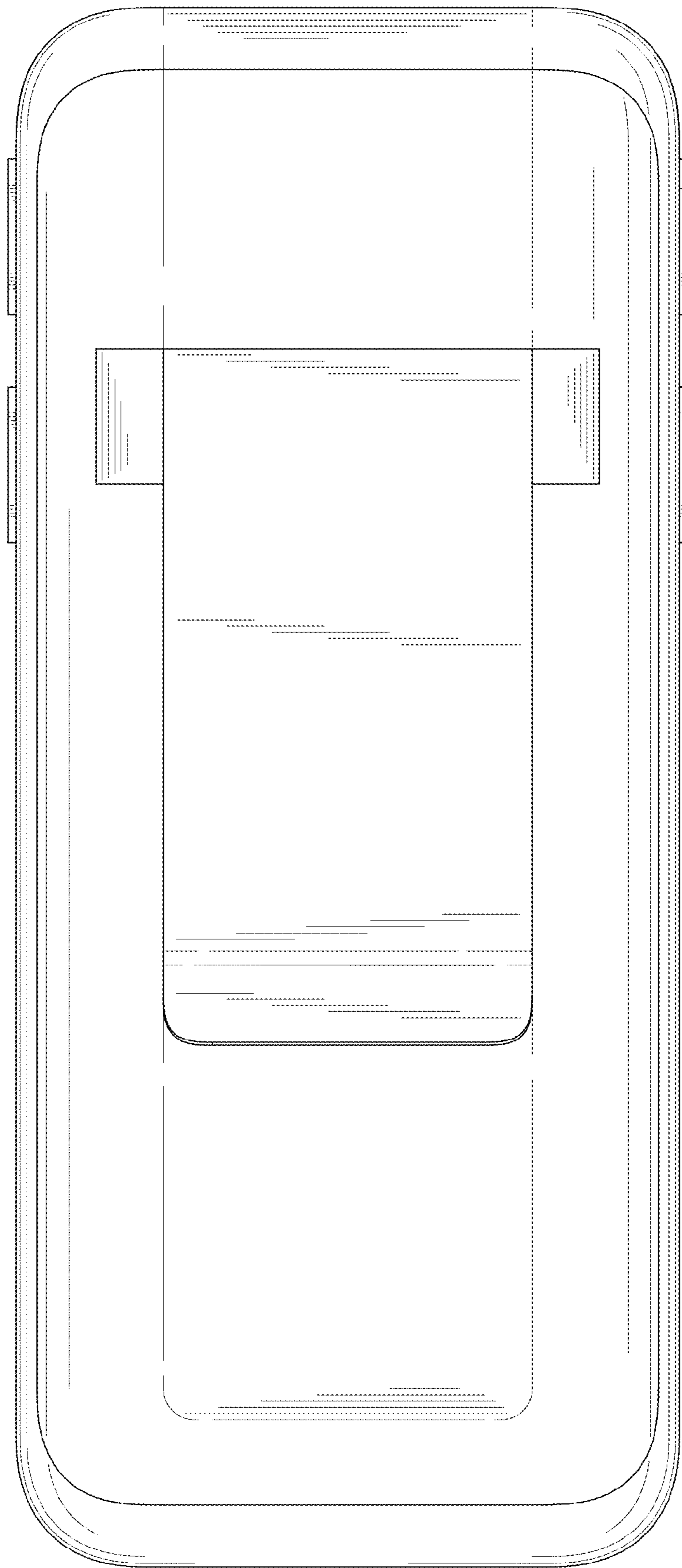


FIG. 4

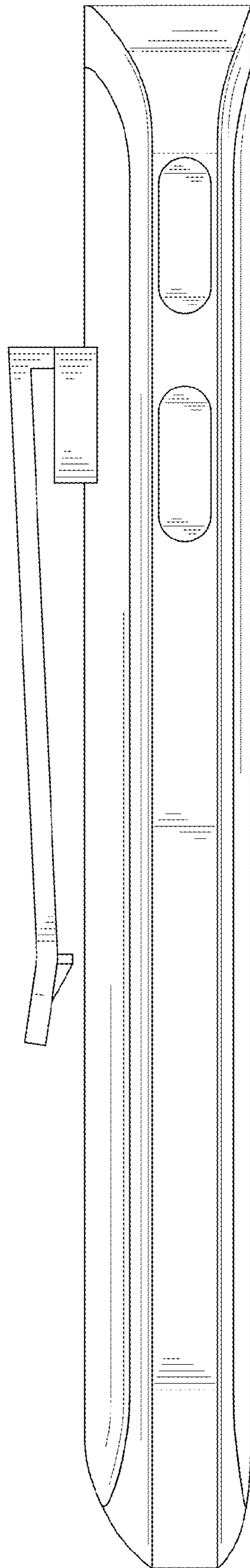


FIG. 5

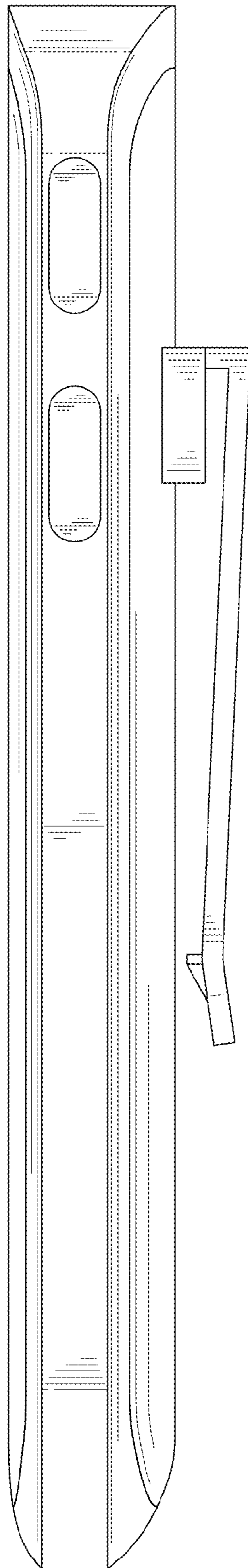


FIG. 6

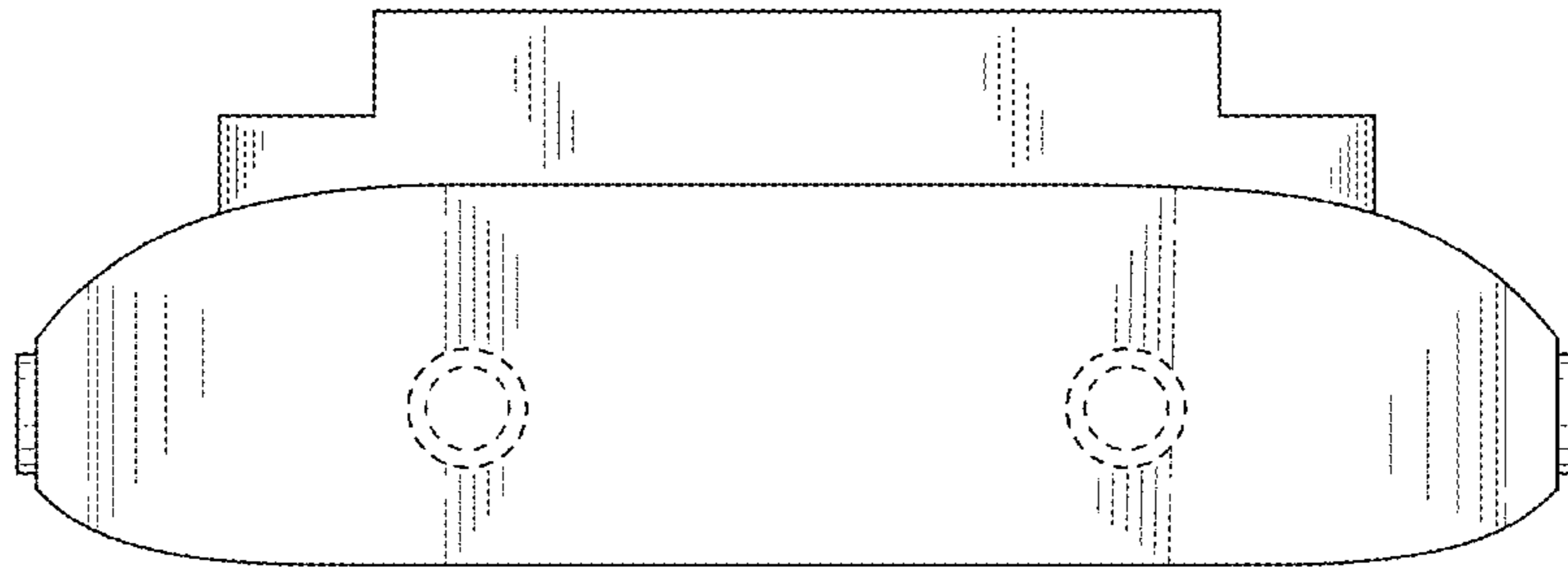


FIG. 7

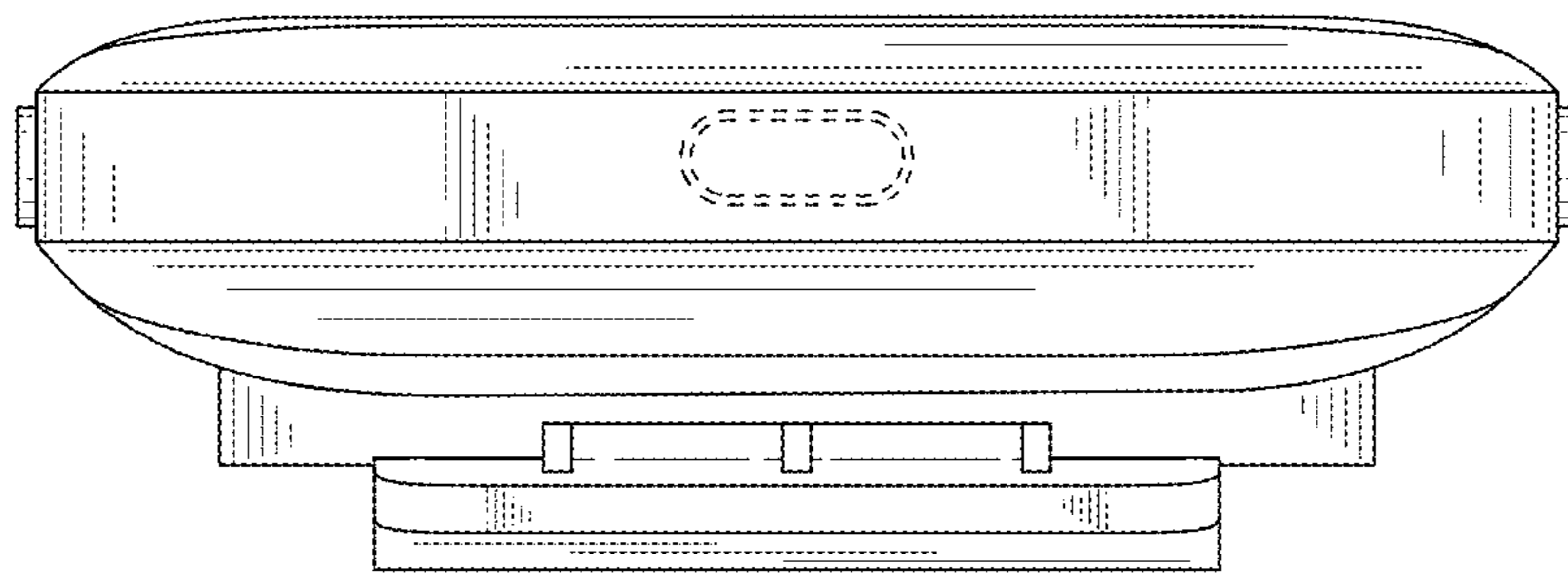


FIG. 8