



US00D961785S

(12) **United States Design Patent**
Hool et al.

(10) **Patent No.:** **US D961,785 S**

(45) **Date of Patent:** **** Aug. 23, 2022**

(54) **ELECTRICAL STIMULATION DEVICE**

D561,094 S * 2/2008 Sween D13/110
D645,822 S * 9/2011 Bachinski D13/146
D660,798 S * 5/2012 Tseng D13/110
D675,321 S * 1/2013 Sanga D24/177

(71) Applicant: **Hoolest Performance Technologies, Inc.**, Phoenix, AZ (US)

(Continued)

(72) Inventors: **Nicholas D. Hool**, Phoenix, AZ (US);
John M. Patterson, Tempe, AZ (US);
Luke Williams, Tempe, AZ (US)

Primary Examiner — Derrick E Holland

(74) *Attorney, Agent, or Firm* — Innovators Legal

(73) Assignee: **HOOLEST PERFORMANCE TECHNOLOGIES, INC.**, Phoenix, AZ (US)

(57) **CLAIM**

The ornamental design for an electrical stimulation device, as shown and described.

DESCRIPTION

(**) Term: **15 Years**

FIG. 1 is a front view of an electrical stimulation device showing the design;

(21) Appl. No.: **29/709,641**

FIG. 2 is a bottom plan view thereof;

(22) Filed: **Oct. 16, 2019**

FIG. 3 is a side elevational view thereof;

(51) **LOC (13) Cl.** **24-01**

FIG. 4 is a top plan view thereof;

(52) **U.S. Cl.**

FIG. 5 is a rear elevational view thereof;

USPC **D24/200**

FIG. 6 is a front perspective view thereof;

(58) **Field of Classification Search**

FIG. 7 is a rear perspective view thereof;

USPC D13/101, 110, 112, 118, 122, 184, 199;
D24/110, 170, 177, 187, 200, 214, 232,
D24/233

FIG. 8 is a fragmental exploded front perspective view thereof;

CPC .. A61N 1/0456; A61N 1/0484; A61N 1/0496;
A61N 1/36025; A61N 1/18; A61B
18/1206; A61B 18/1402; H02K 21/042

FIG. 9 is another fragmental exploded front perspective view thereof;

See application file for complete search history.

FIG. 10 is a front view of a second configuration of that shown in FIG. 1;

(56) **References Cited**

U.S. PATENT DOCUMENTS

5,158,473 A * 10/1992 Takahashi H01R 13/641
439/353
5,607,461 A * 3/1997 Lathrop A61N 1/326
607/2
6,089,908 A * 7/2000 Huang H01R 24/64
439/283
D437,938 S * 2/2001 Ko D24/200
D450,388 S * 11/2001 Nakanishi D14/218
D552,241 S * 10/2007 Bromley D24/170

FIG. 11 is a bottom plan view thereof;

FIG. 12 is a side elevational view thereof;

FIG. 13 is a top plan view thereof;

FIG. 14 is a rear elevational view thereof;

FIG. 15 is a front perspective view thereof;

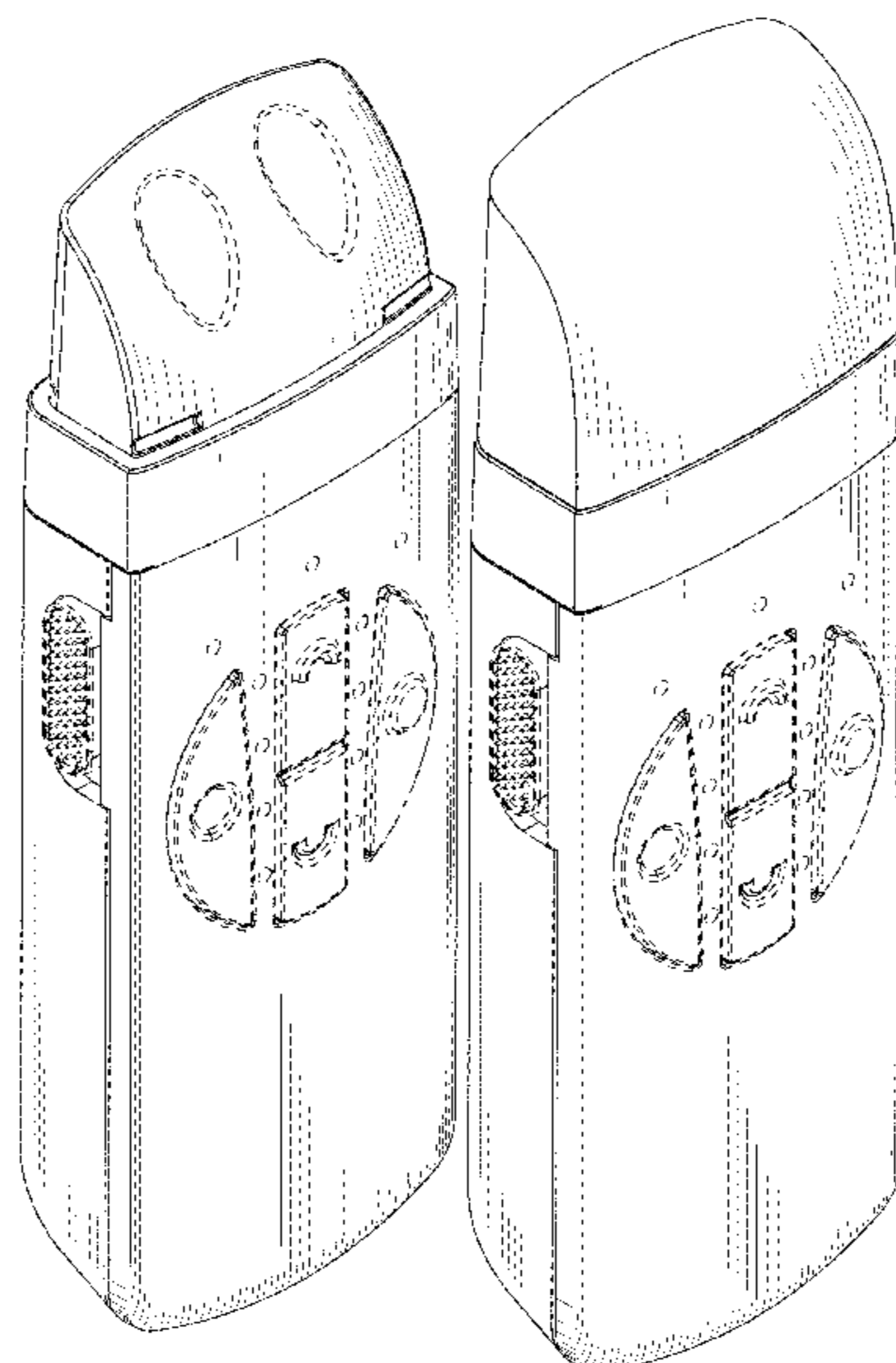
FIG. 16 is a rear perspective view thereof;

FIG. 17 is a fragmental exploded front perspective view thereof; and,

FIG. 18 is another fragmental exploded front perspective view thereof.

The broken lines shown represent the portions of the electrical stimulation device that form no part of the claimed design.

1 Claim, 12 Drawing Sheets



(56)

References Cited

U.S. PATENT DOCUMENTS

8,469,734 B2 * 6/2013 Chen H01R 13/506
439/353
D739,035 S * 9/2015 Tavidian D24/200
D750,793 S * 3/2016 Liu D24/200
D777,125 S * 1/2017 Eder D13/184
9,649,491 B2 * 5/2017 Li A61N 1/3603
D841,583 S * 2/2019 Spiegel D13/110
D857,910 S * 8/2019 Cryan D24/214
2011/0054568 A1 * 3/2011 Lane A61N 1/36082
607/59
2011/0151698 A1 * 6/2011 Boyd H01R 13/514
439/246
2017/0265251 A1 * 9/2017 Chuang A61N 1/0456

* cited by examiner

FIG. 1

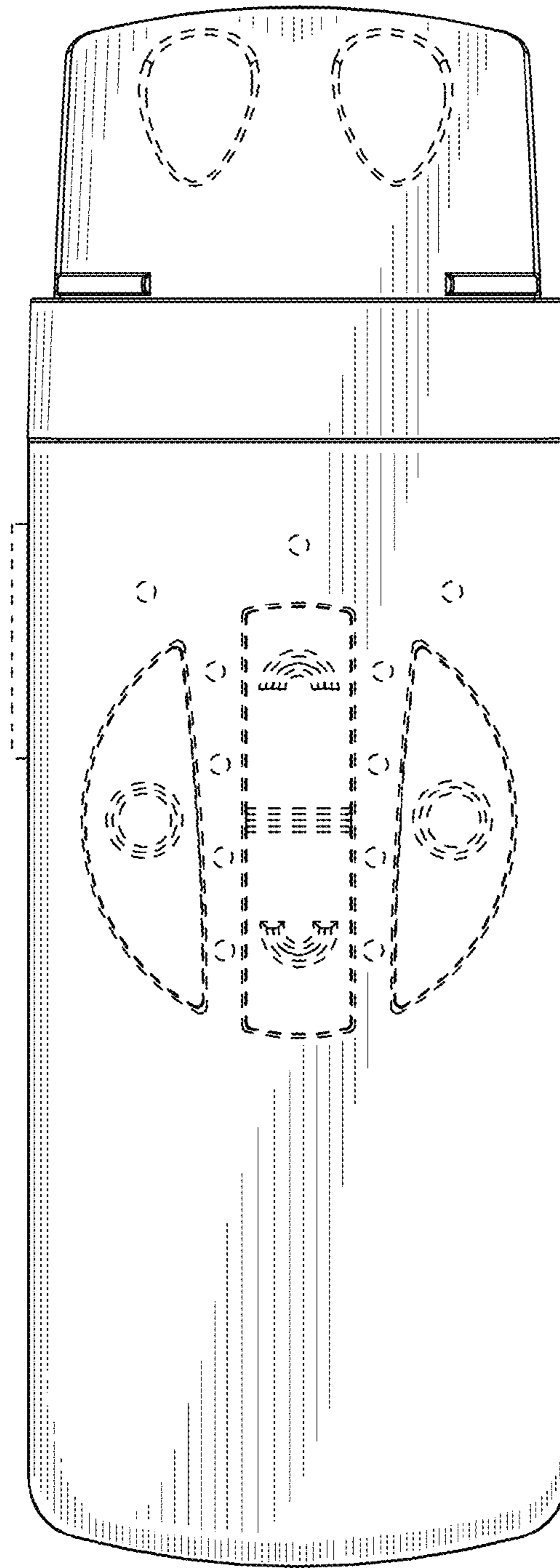


FIG. 2

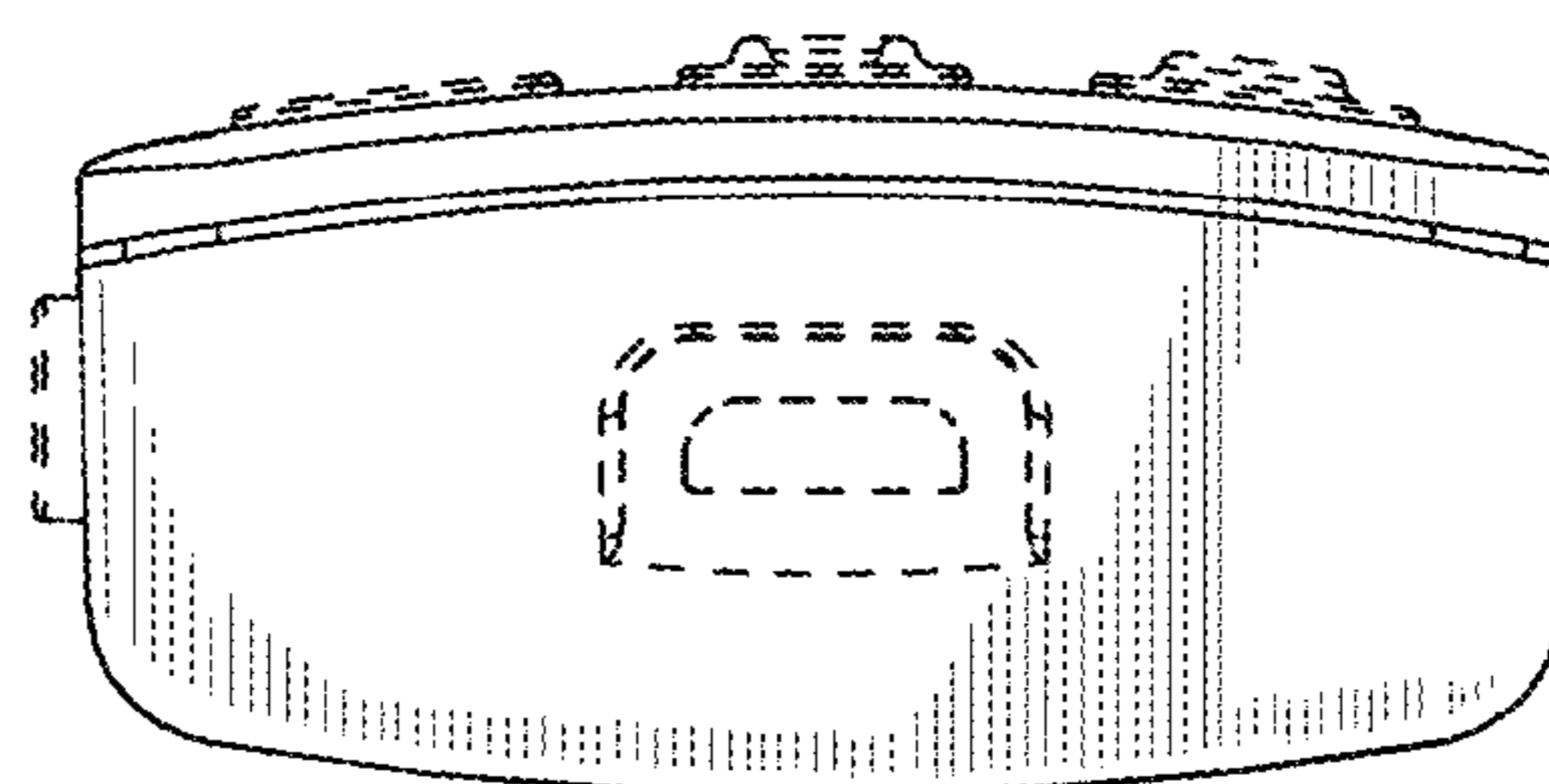


FIG. 3

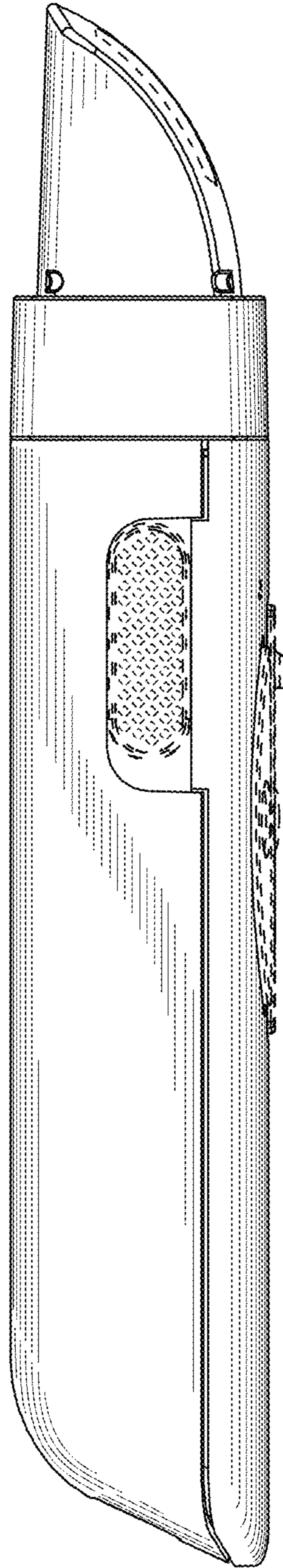


FIG. 4

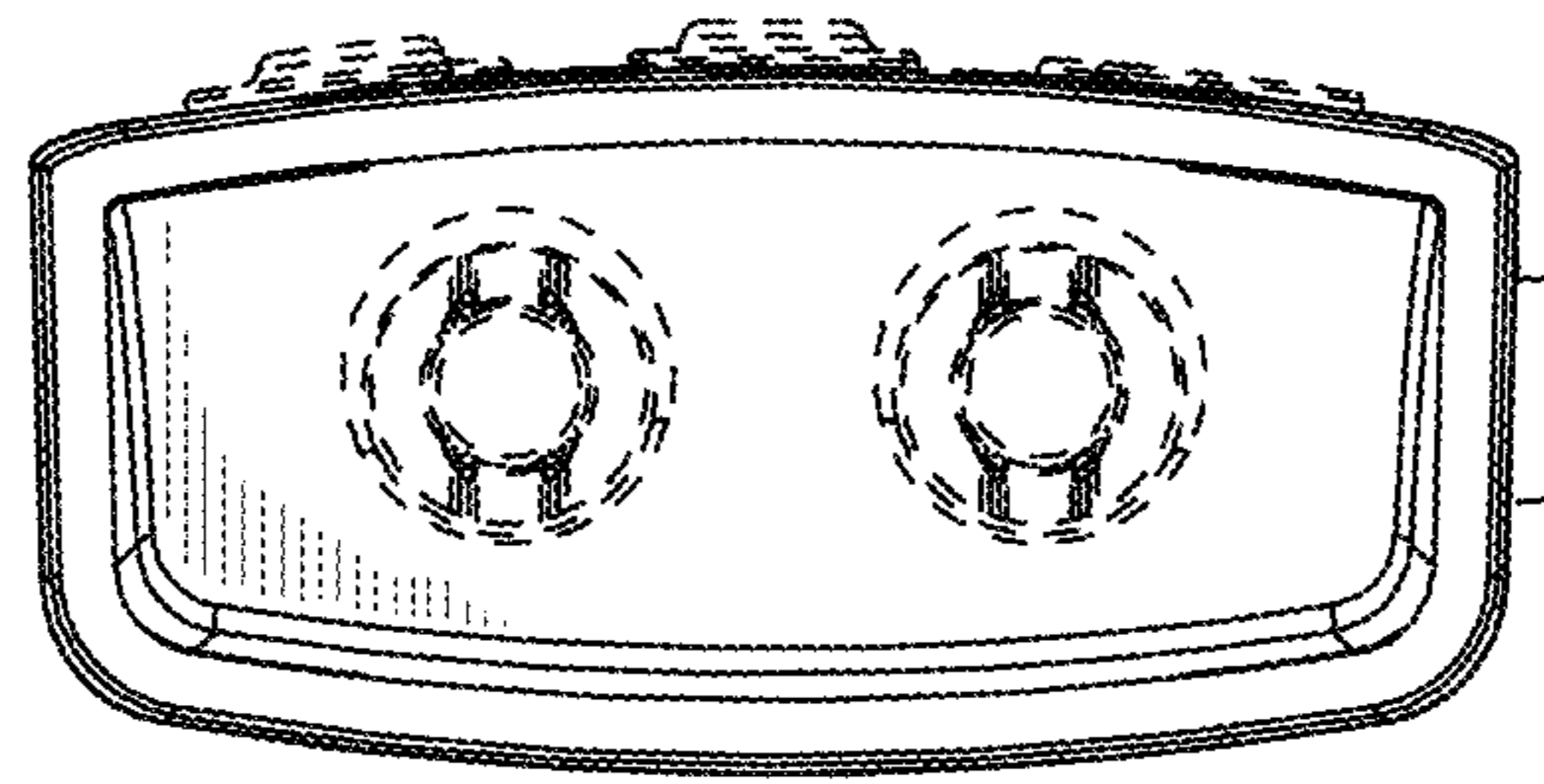


FIG. 5

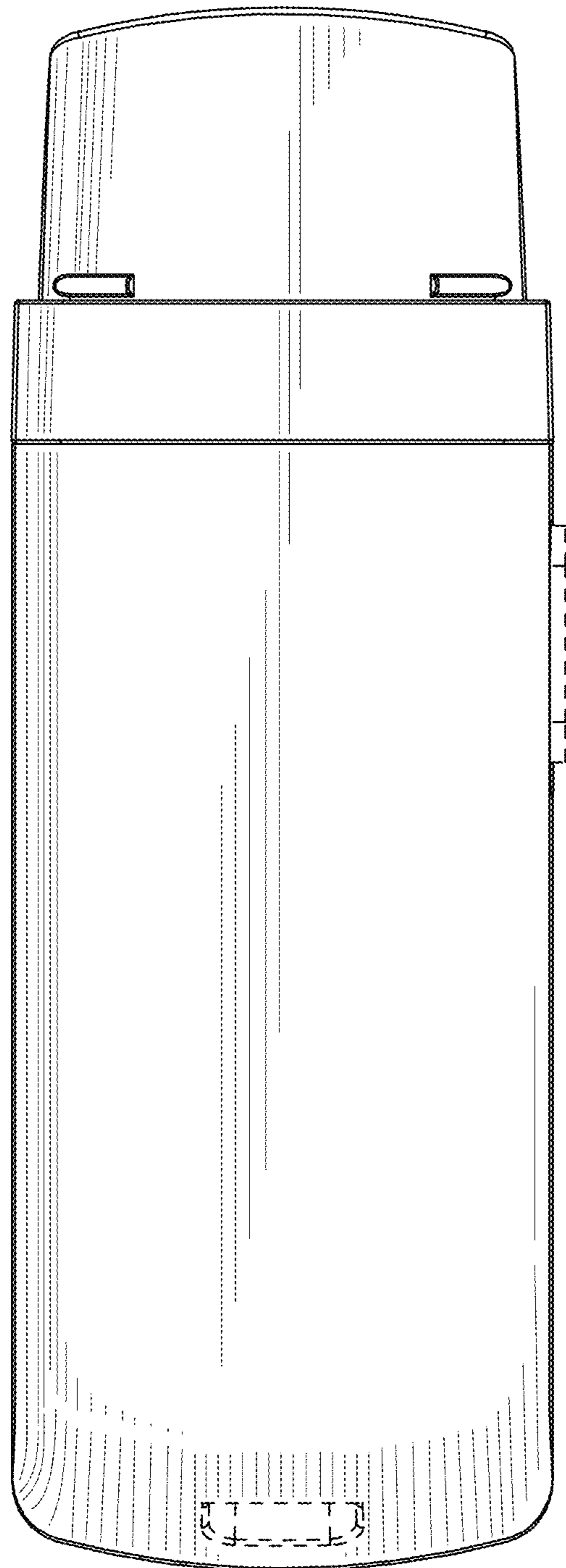


FIG. 6

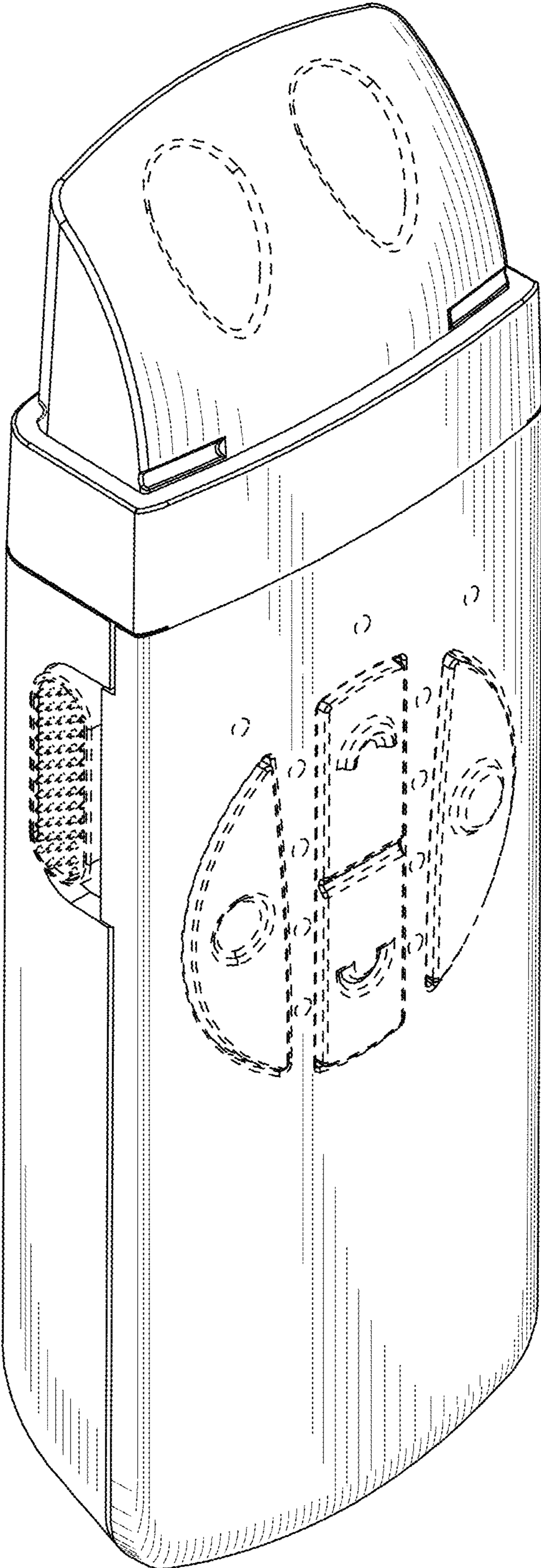
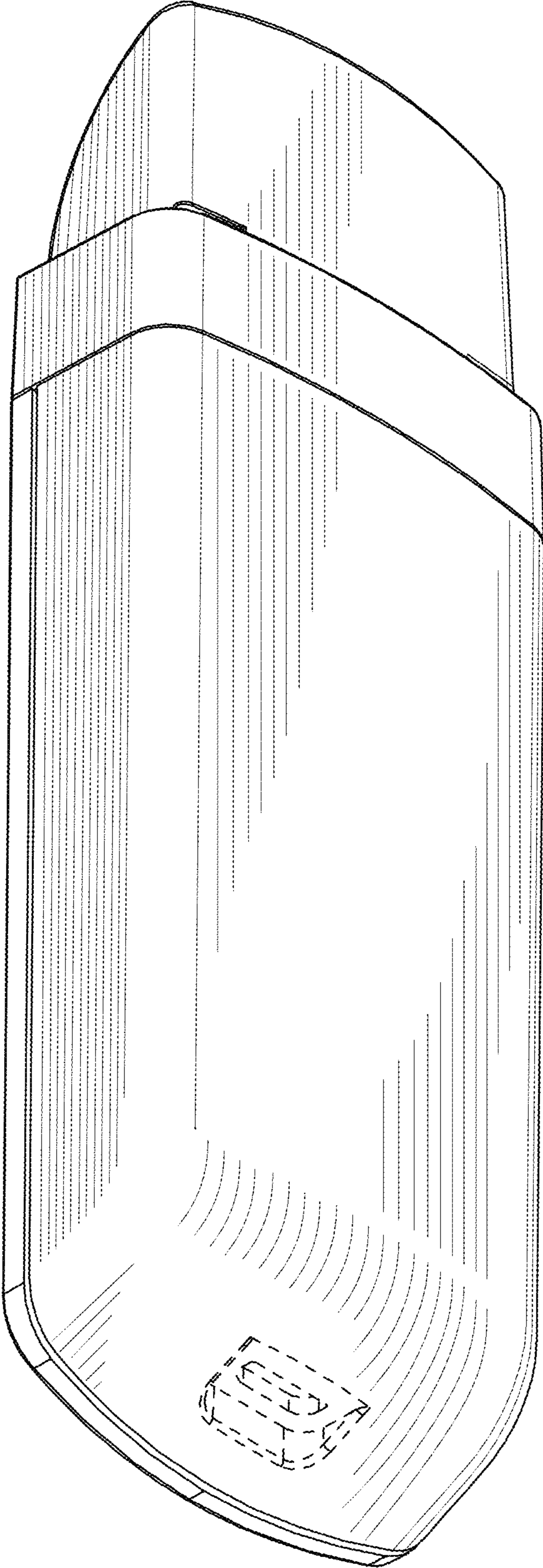


FIG. 7



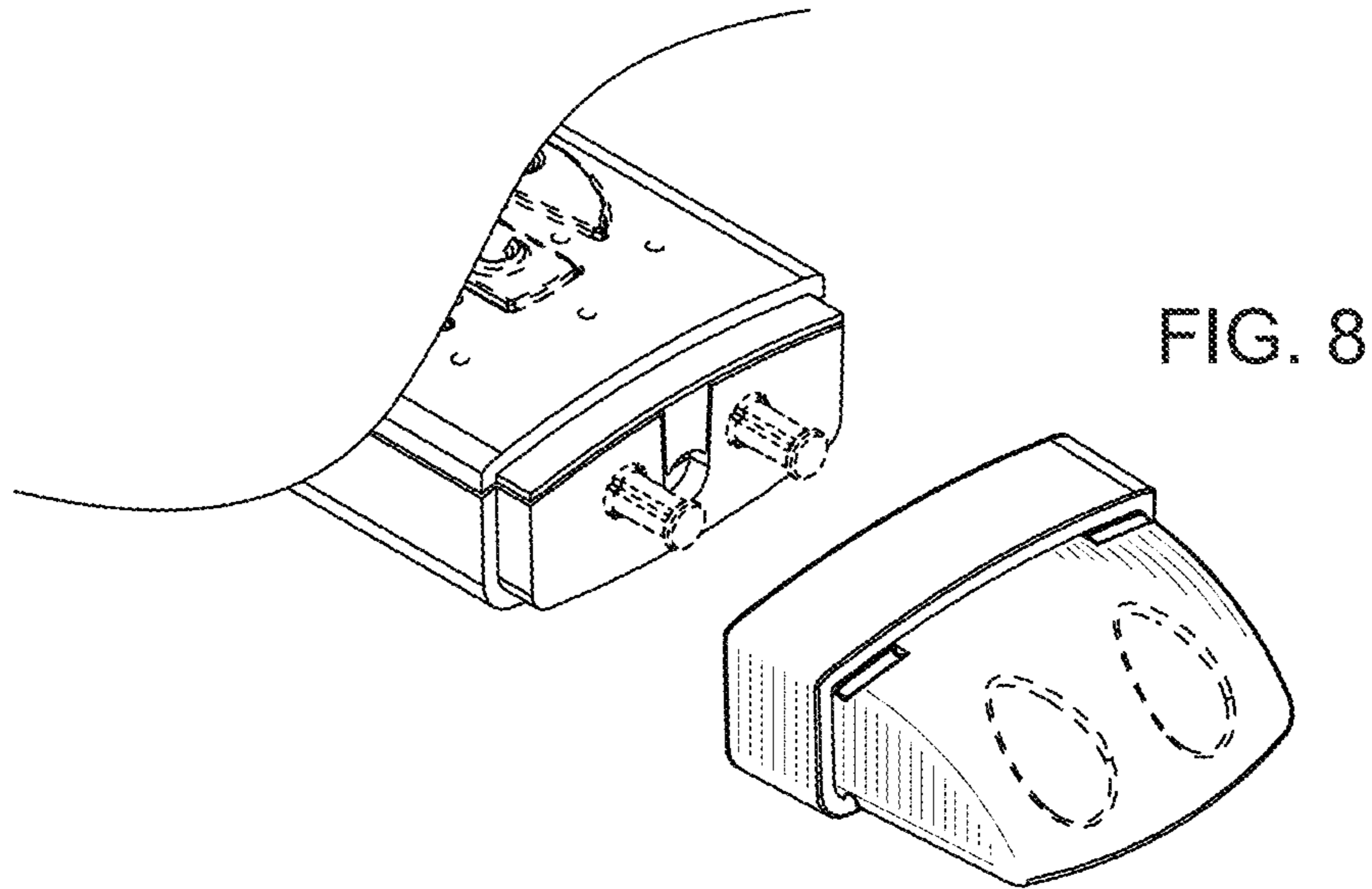


FIG. 9

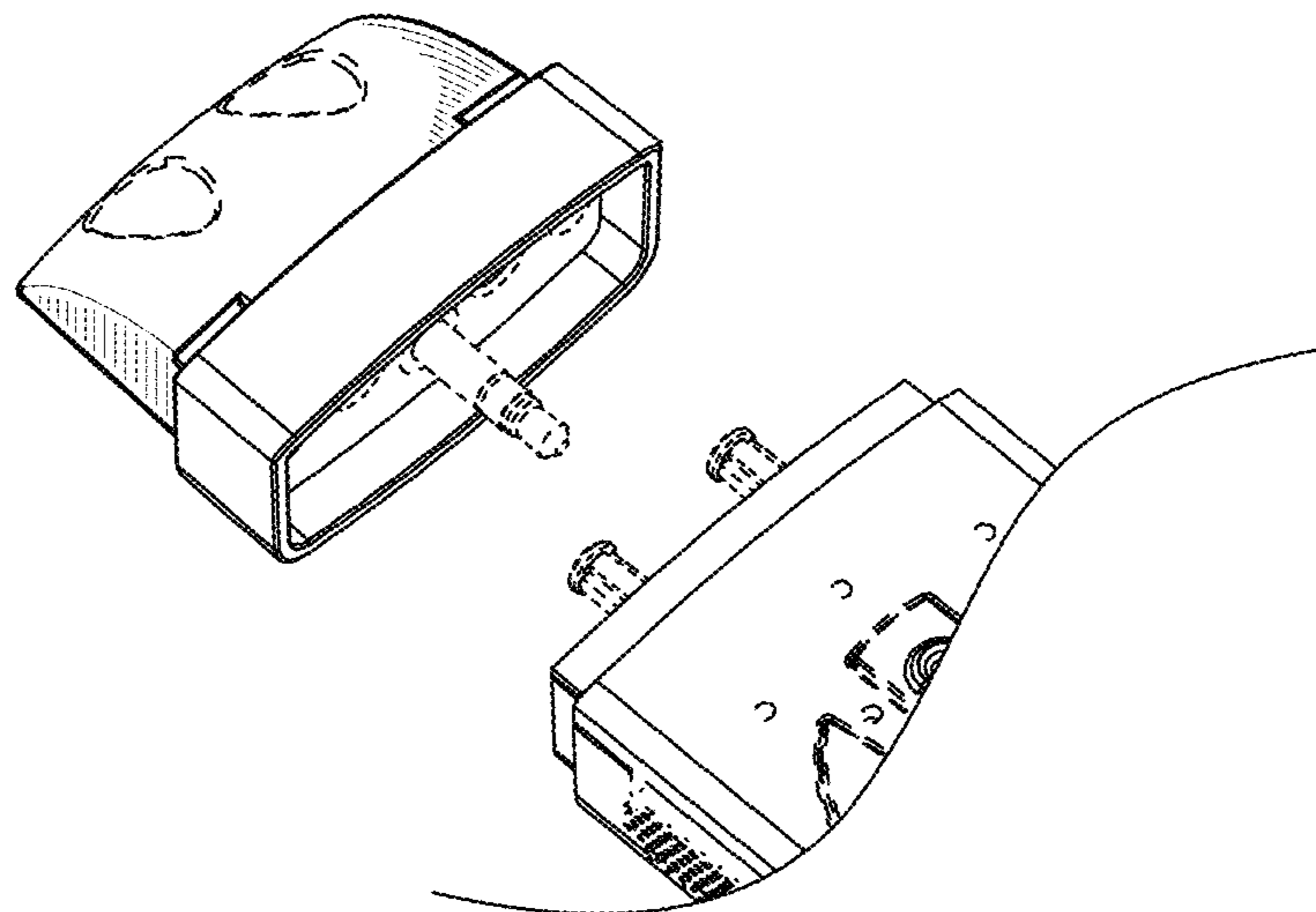


FIG. 10

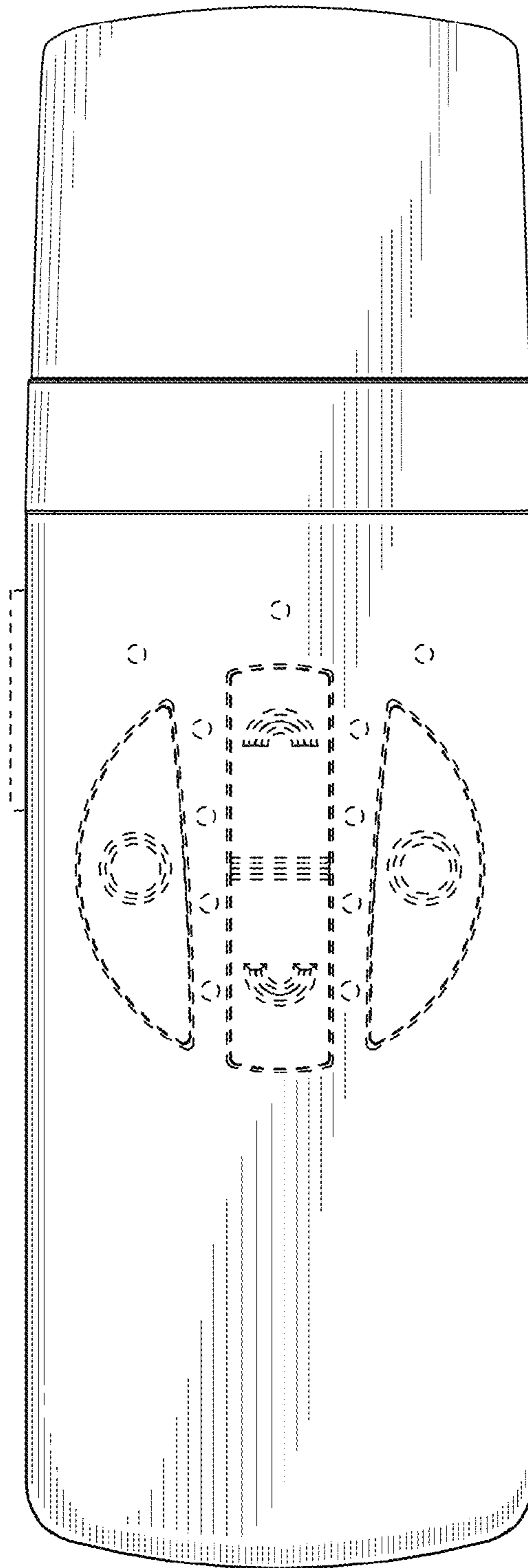


FIG. 11

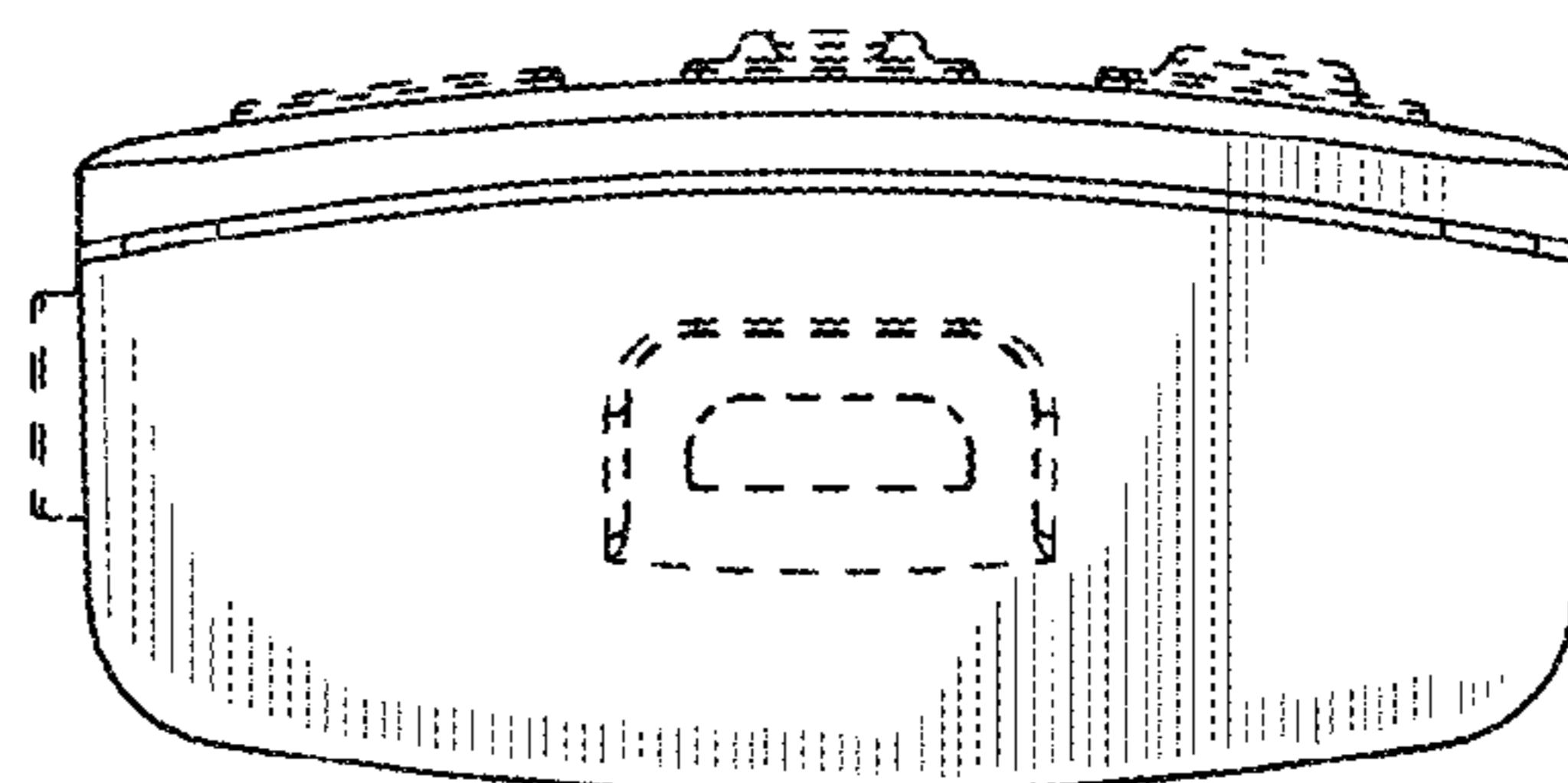


FIG. 12

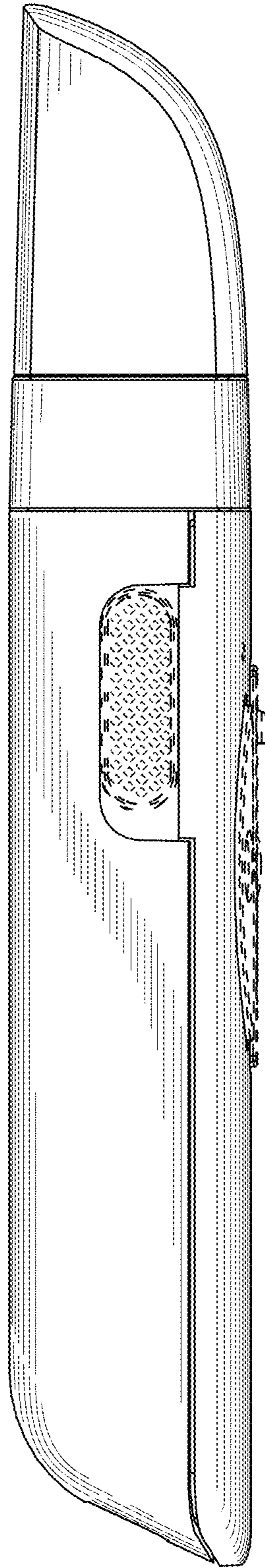


FIG. 13

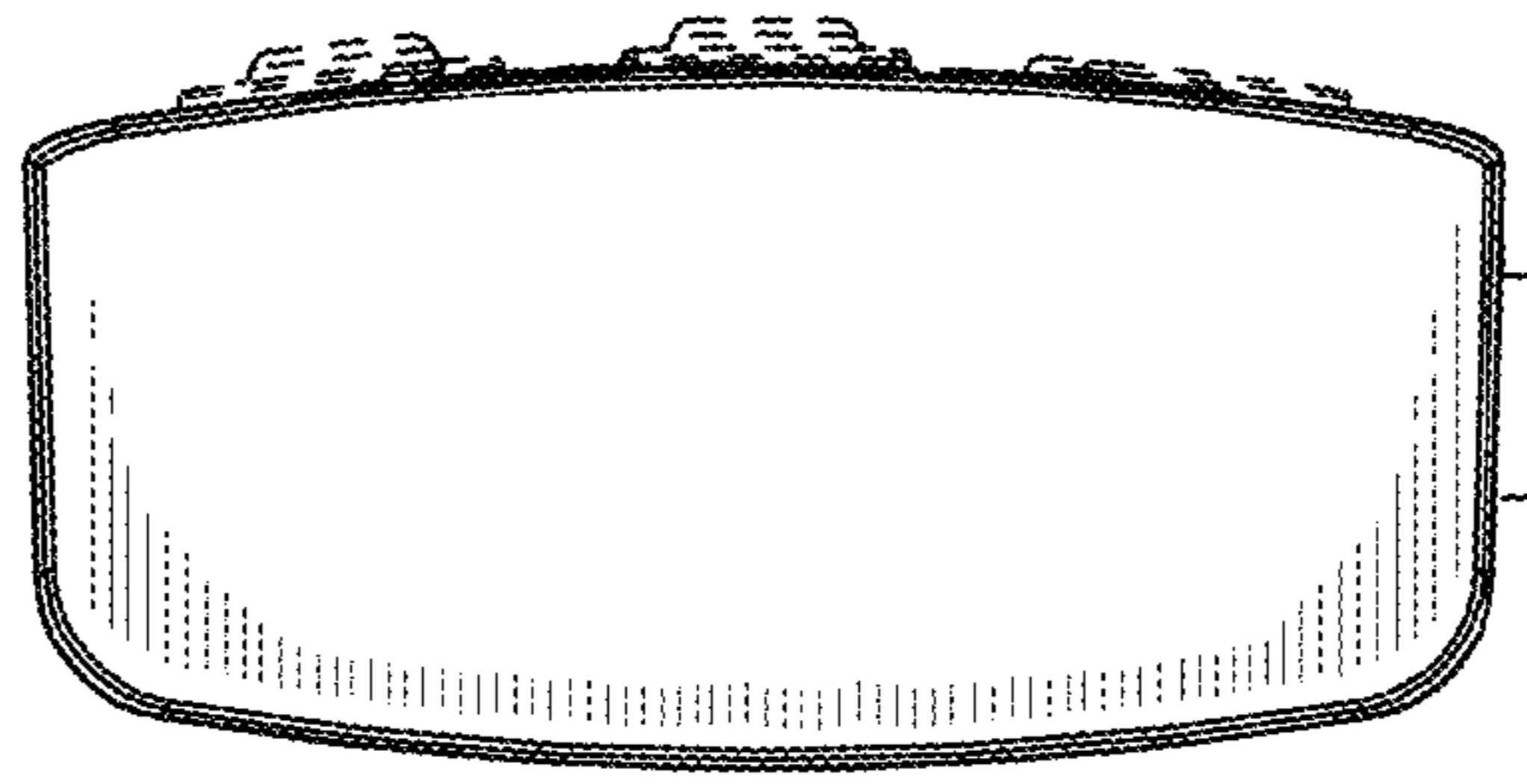


FIG. 14

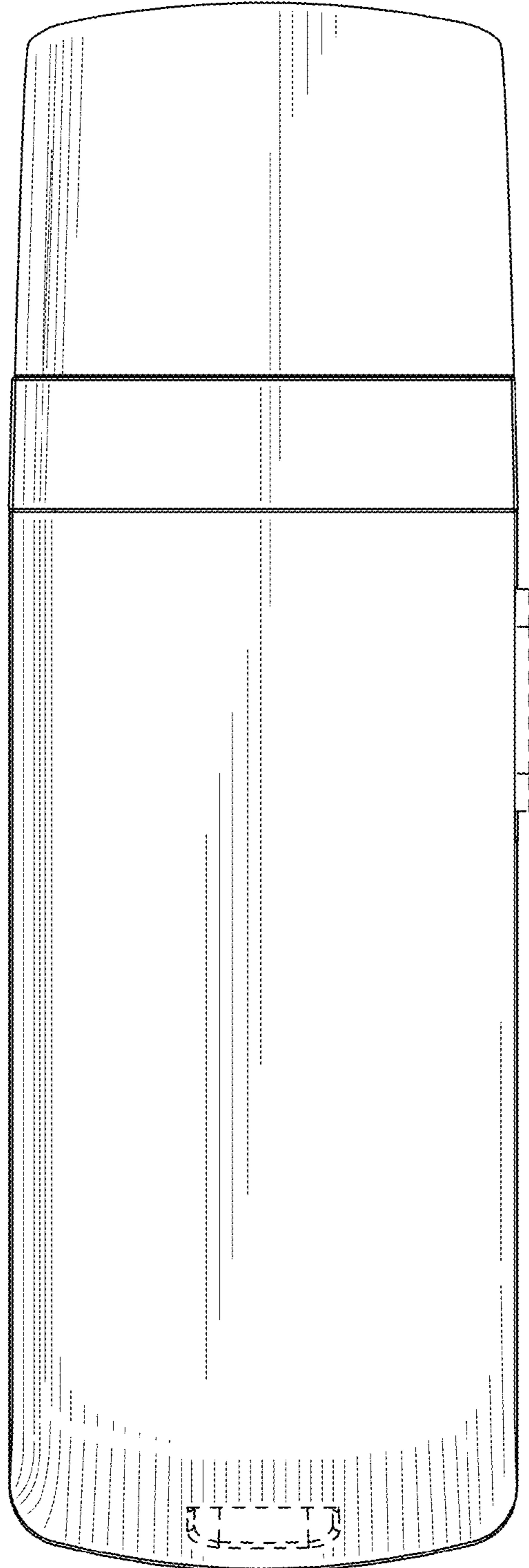


FIG. 15

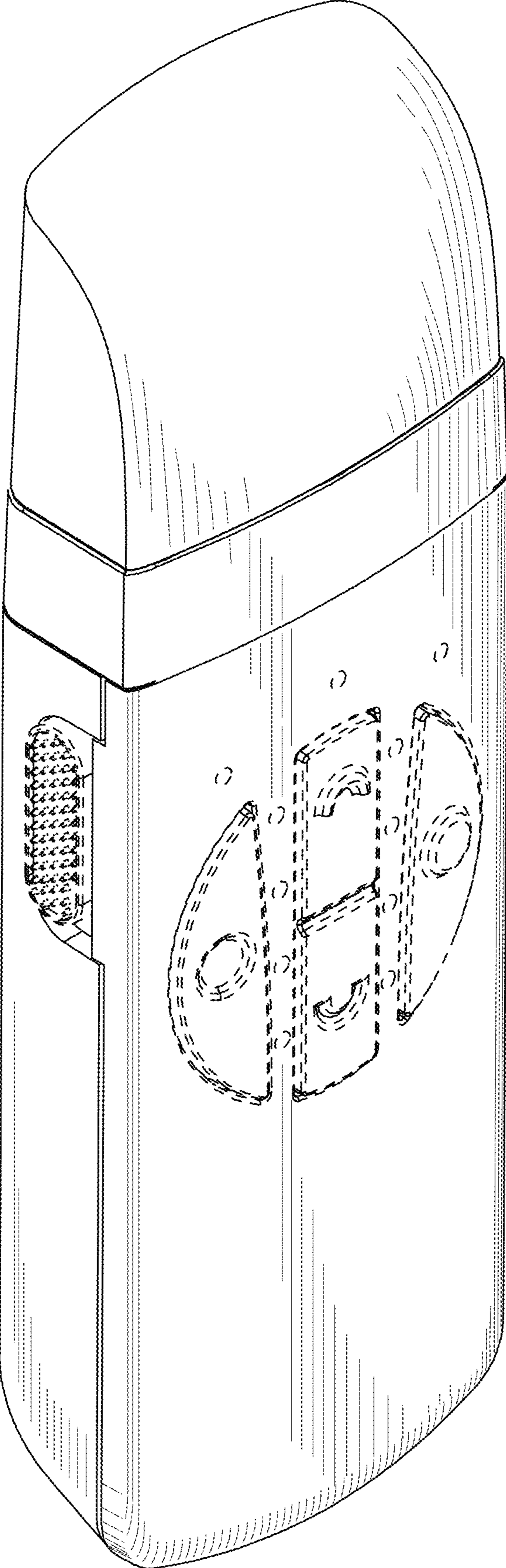


FIG. 16

