



US00D961780S

(12) **United States Design Patent** (10) **Patent No.:** **US D961,780 S**
Wagner et al. (45) **Date of Patent:** **** Aug. 23, 2022**

(54) **HEAD HOLDER PAD**

FOREIGN PATENT DOCUMENTS

(71) Applicant: **General Electric Company**,
Schenectady, NY (US)

CN 201719259 U 1/2011
JP H07265296 A 10/1995

(72) Inventors: **Grant Richard Wagner**, Milwaukee,
WI (US); **Brian Edward Nett**,
Brookfield, WI (US)

OTHER PUBLICATIONS

(73) Assignee: **General Electric Company**,
Schenectady, NY (US)

CT Axial Insert Head Holder—Black by GE Healthcare. Online,
published date unknown. Retrieved on Dec. 28, 2021 from URL:
https://www.partssource.com/parts/ge-healthcare/e8004s?pspn=ps36xclcaav.*

(Continued)

(**) Term: **15 Years**

Primary Examiner — Omeed Agilee

(21) Appl. No.: **29/762,035**

(74) *Attorney, Agent, or Firm* — McCoy Russell LLP

(22) Filed: **Dec. 14, 2020**

(57) **CLAIM**

Related U.S. Application Data

The ornamental design for a head holder pad, as shown and
described.

(62) Division of application No. 29/670,467, filed on Nov.
15, 2018, now Pat. No. Des. 908,229.

DESCRIPTION

(51) **LOC (13) Cl.** **24-02**

(52) **U.S. Cl.**
USPC **D24/183**; D24/191

(58) **Field of Classification Search**
USPC D24/183–184, 188, 190–191, 200, 211,
D24/215; D6/366, 375, 380, 596, 601,
D6/604, 716

CPC A47B 21/0314; A47B 21/0371; A47C
20/021; A47C 20/026

See application file for complete search history.

FIG. 1 is a front-bottom-left perspective view of a head
holder pad according to the present invention.

FIG. 2 is a front-top-right perspective view of the head
holder pad.

FIG. 3 is a bottom view of the head holder pad.

FIG. 4 is a top view of the head holder pad.

FIG. 5 is a right side view of the head holder pad.

FIG. 6 is a left side view of the head holder pad.

FIG. 7 is a front view of the head holder pad.

FIG. 8 is a rear view of the head holder pad.

FIG. 9 is a cross-sectional view taken along line 9-9 in FIG.
5.

FIG. 10 is a cross-sectional view taken along line 10-10 in
FIG. 6; and,

FIG. 11 is a cross-sectional view taken along line 11-11 in
FIG. 3.

The dash-dash broken lines in FIGS. 1-11 illustrate portions
of the head holder pad that form no part of the claimed
design.

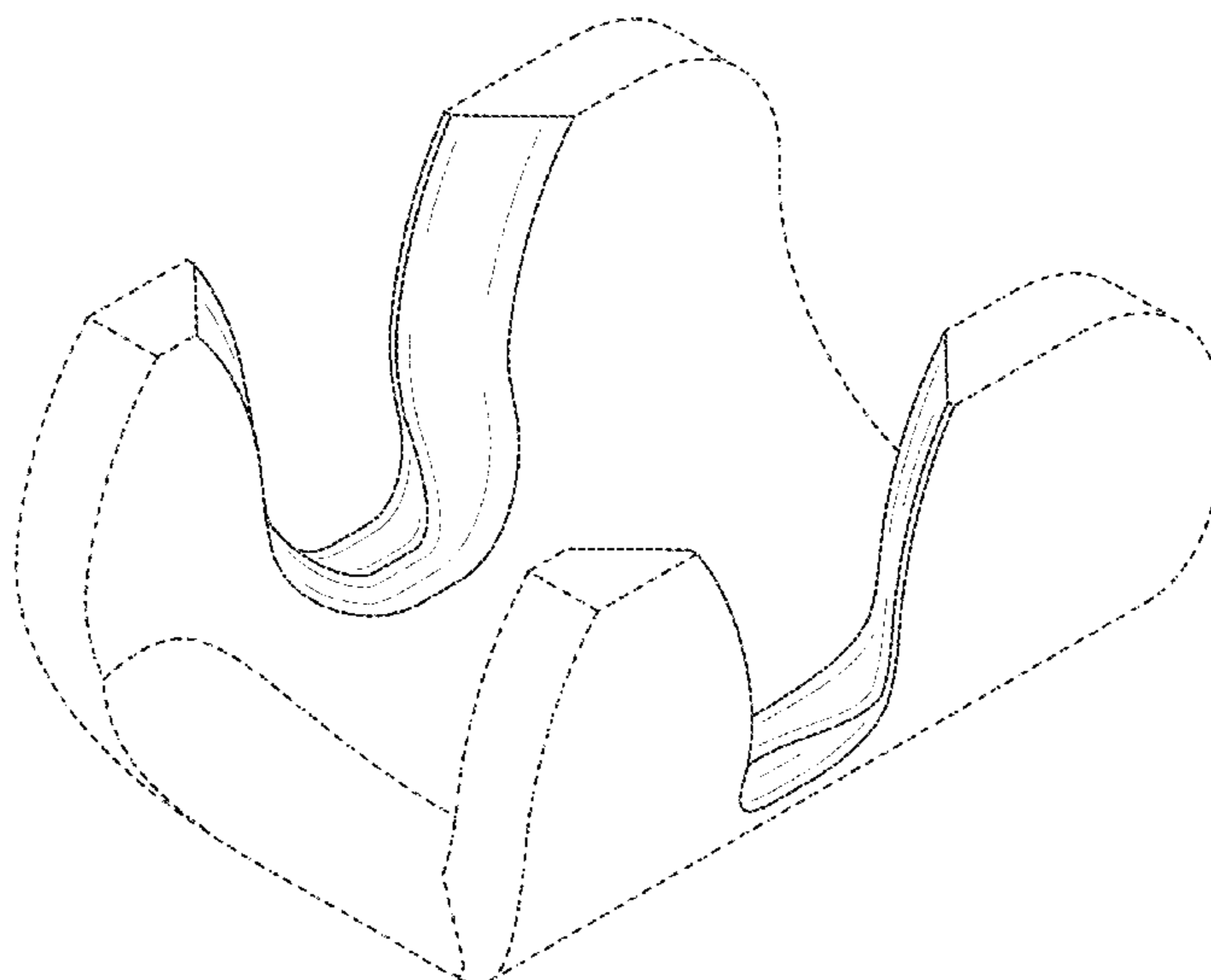
(56) **References Cited**

U.S. PATENT DOCUMENTS

4,616,814 A 10/1986 Harwood-Nash et al.
D309,189 S 7/1990 Bowlin
5,337,760 A 8/1994 Nichols
D357,222 S 4/1995 Lunter et al.
D375,222 S * 11/1996 Bonaddio D6/596
D642,278 S 7/2011 Sharps et al.
D711,000 S 8/2014 Ravikumar et al.

(Continued)

1 Claim, 11 Drawing Sheets



(56)

References Cited

U.S. PATENT DOCUMENTS

8,887,331	B2	11/2014	Nakamura et al.	
D719,662	S	12/2014	Pope	
D797,299	S	9/2017	Ruel et al.	
D797,945	S	9/2017	Kim	
D823,479	S	7/2018	Mollohan	
D837,386	S	1/2019	Barber et al.	
D858,782	S	9/2019	Kellock et al.	
D862,713	S	10/2019	Wendling	
D871,108	S	12/2019	Yang	
D877,916	S	3/2020	Gewant	
D879,989	S	3/2020	Mollohan	
D881,602	S *	4/2020	Yang	D6/601
D888,455	S *	6/2020	Xu	D6/375
D888,965	S *	6/2020	Zwierstra	D24/184
D889,165	S *	7/2020	Chen	D6/601
D904,064	S *	12/2020	Hall	D6/377
D908,229	S *	1/2021	Wagner	D24/191
2014/0150184	A1 *	6/2014	Jones	A47G 9/1081 5/636
2015/0020314	A1 *	1/2015	Garcia	A47C 7/383 5/636

OTHER PUBLICATIONS

“Canon Aquilion CT Accessories—Pediatric and Adult Head Holder Kit,” Universal Medical Website, Available Online at <https://www.universalmedicalinc.com/canon-aquilion-ct-accessories-pediatric-and-adult-head-holder-kit.html>, Retrieved on Mar. 15, 2021, 6 pages.
 “B / D CT Axial Headholder Insert,” Medipment Website, Available Online at <https://www.medipment.pl/PRODUKT/BD-CT-AXIAL-HEADHOLDER-INSERT-63342>, Retrieved on Mar. 15, 2021, 6 pages.

* cited by examiner

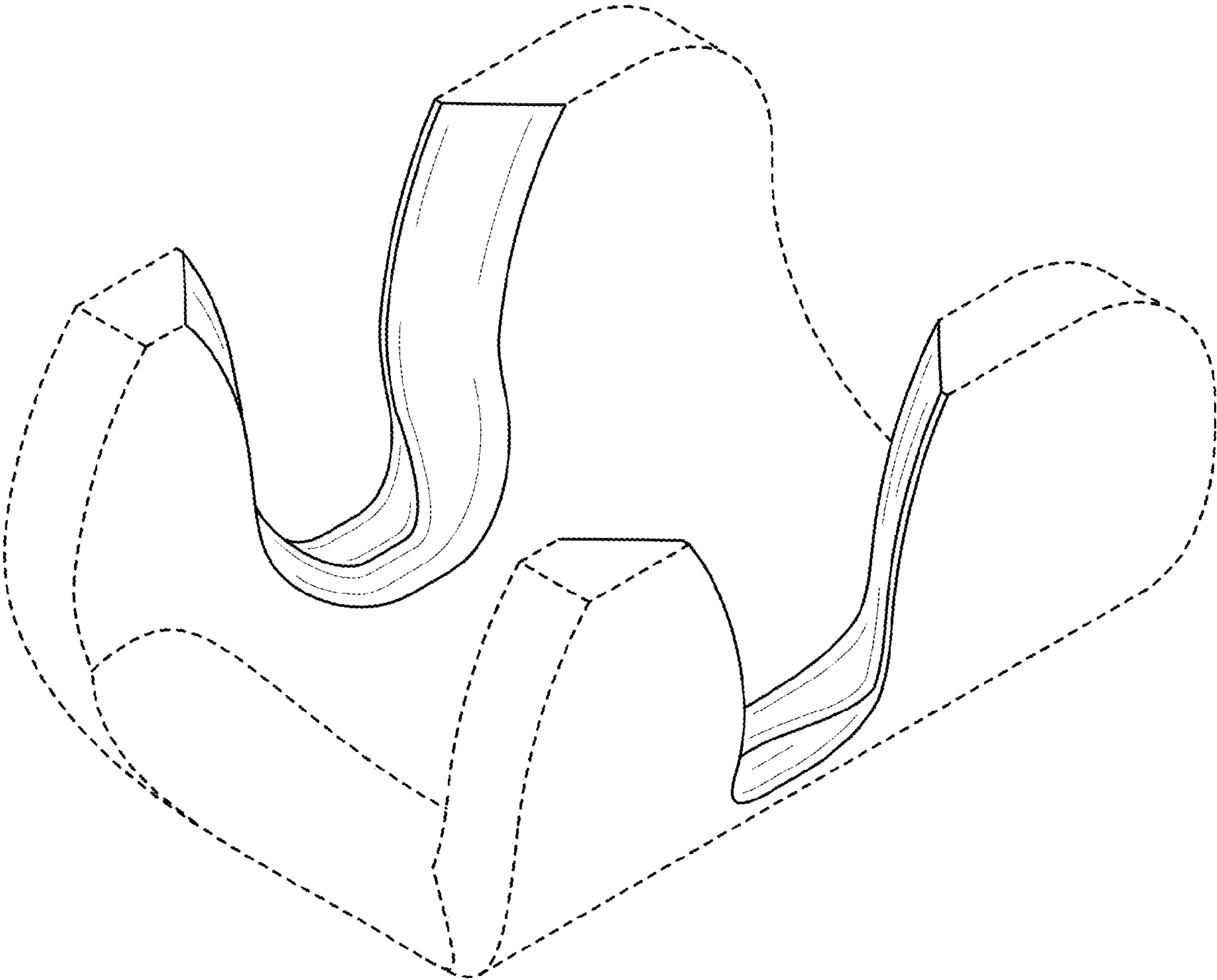


FIG. 1

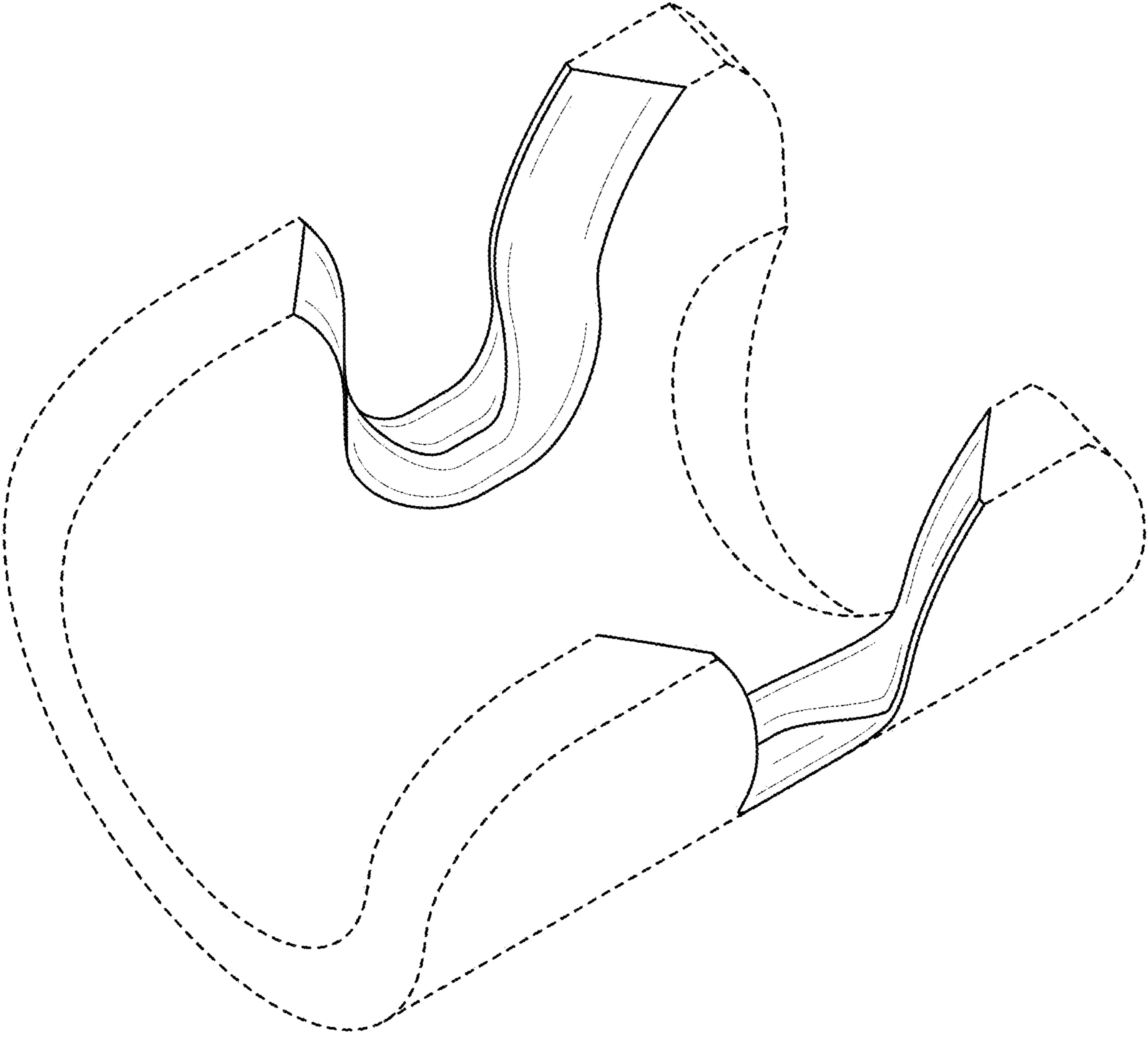


FIG. 2

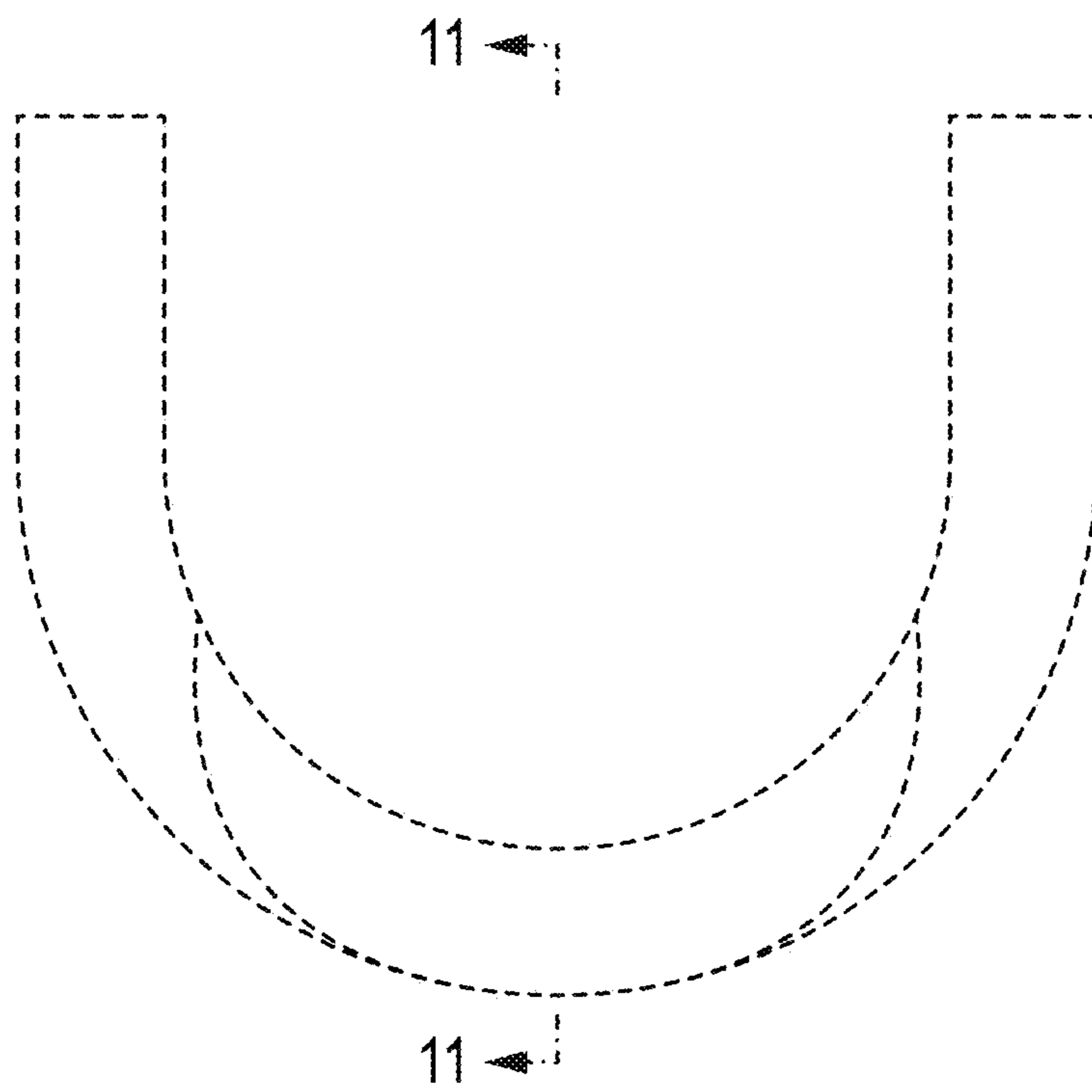


FIG. 3

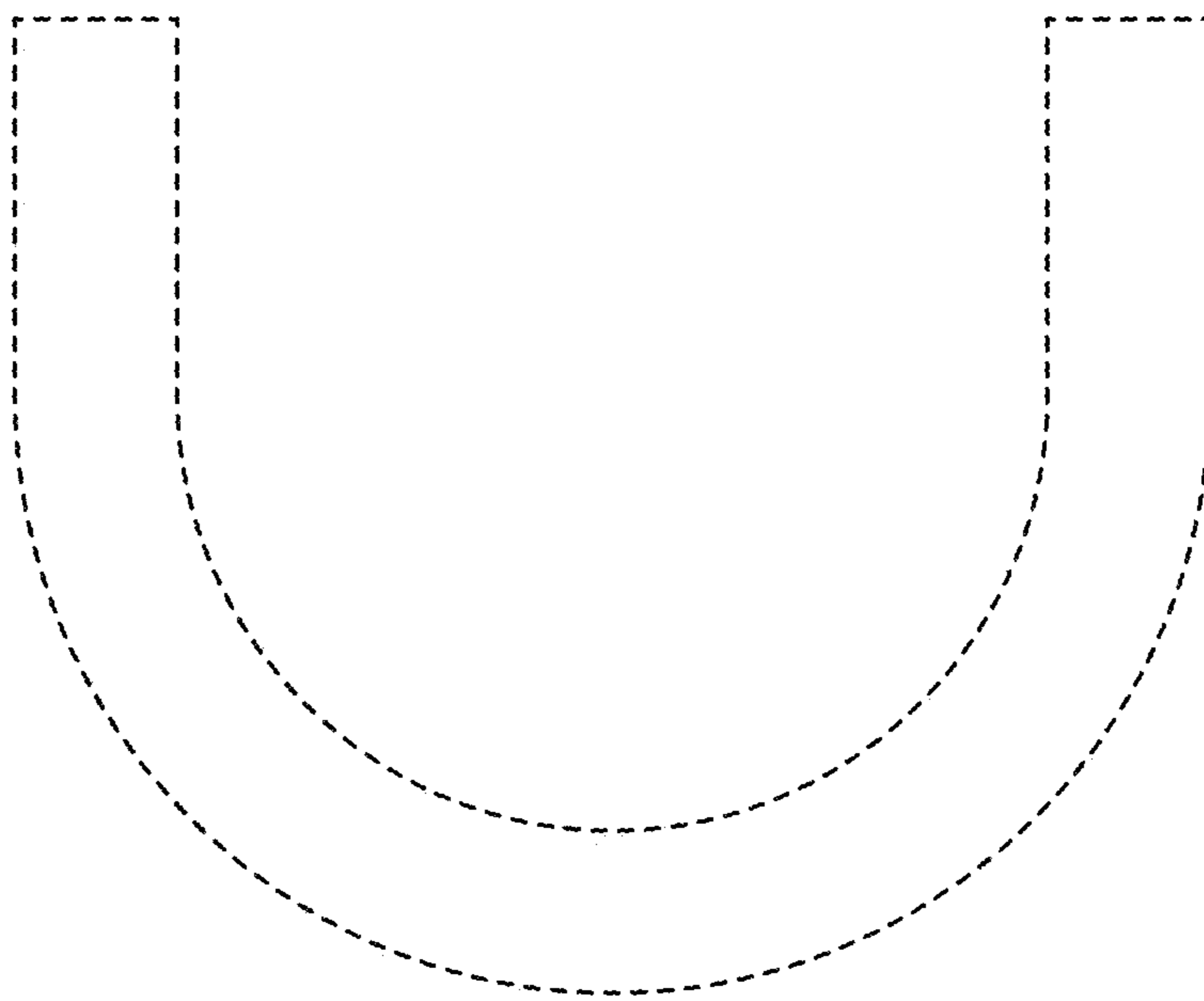


FIG. 4

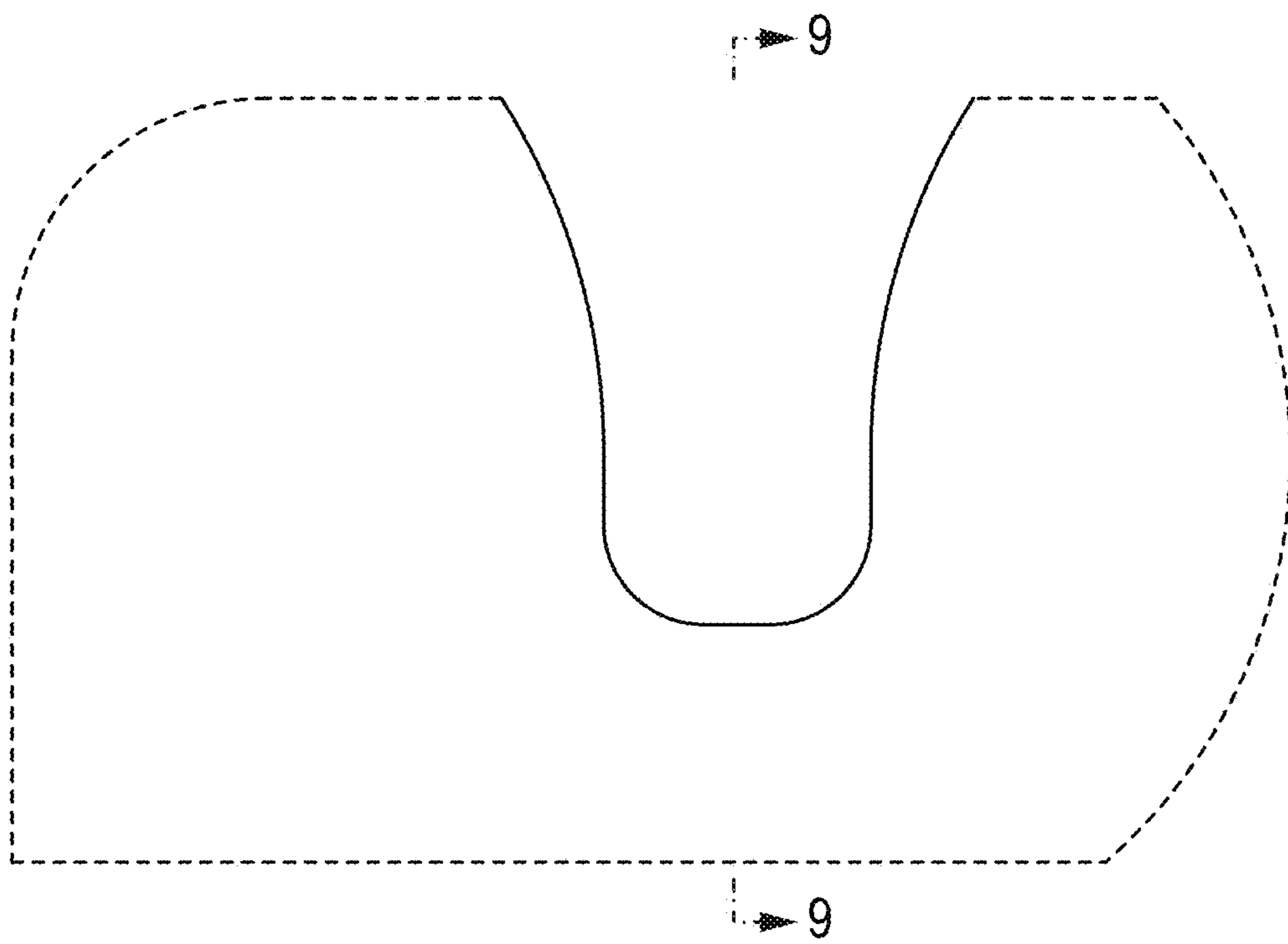


FIG. 5

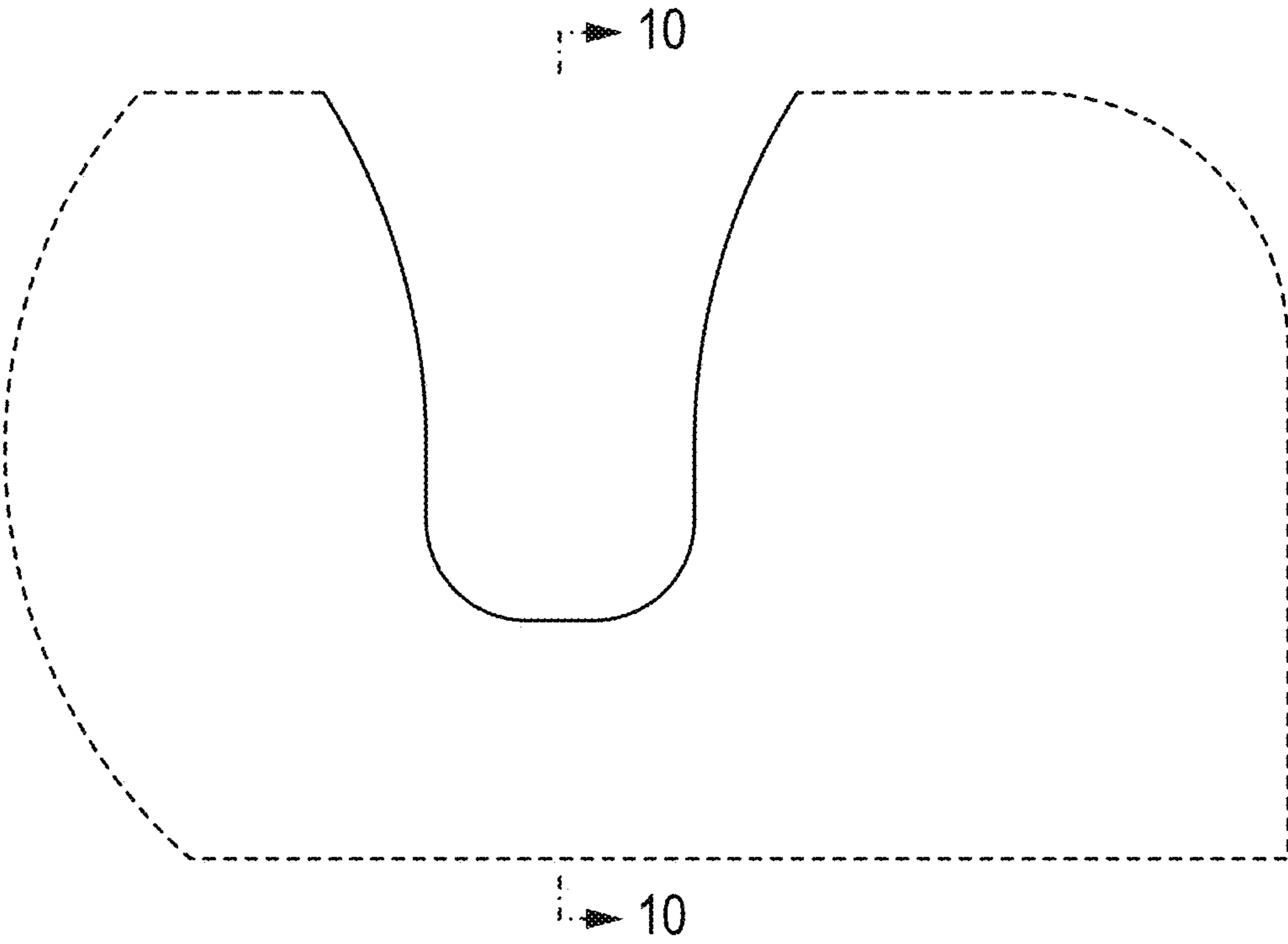


FIG. 6

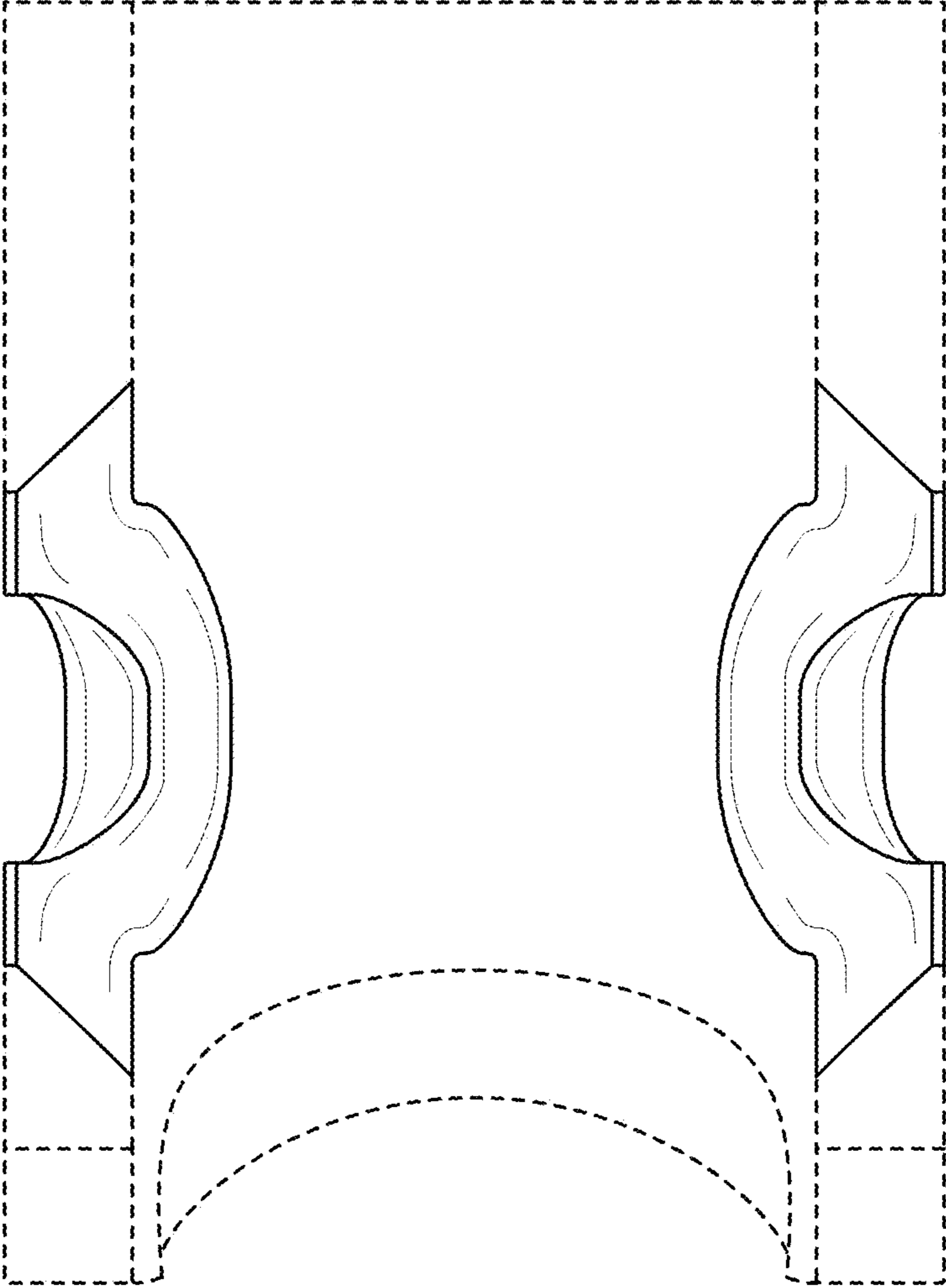


FIG. 7

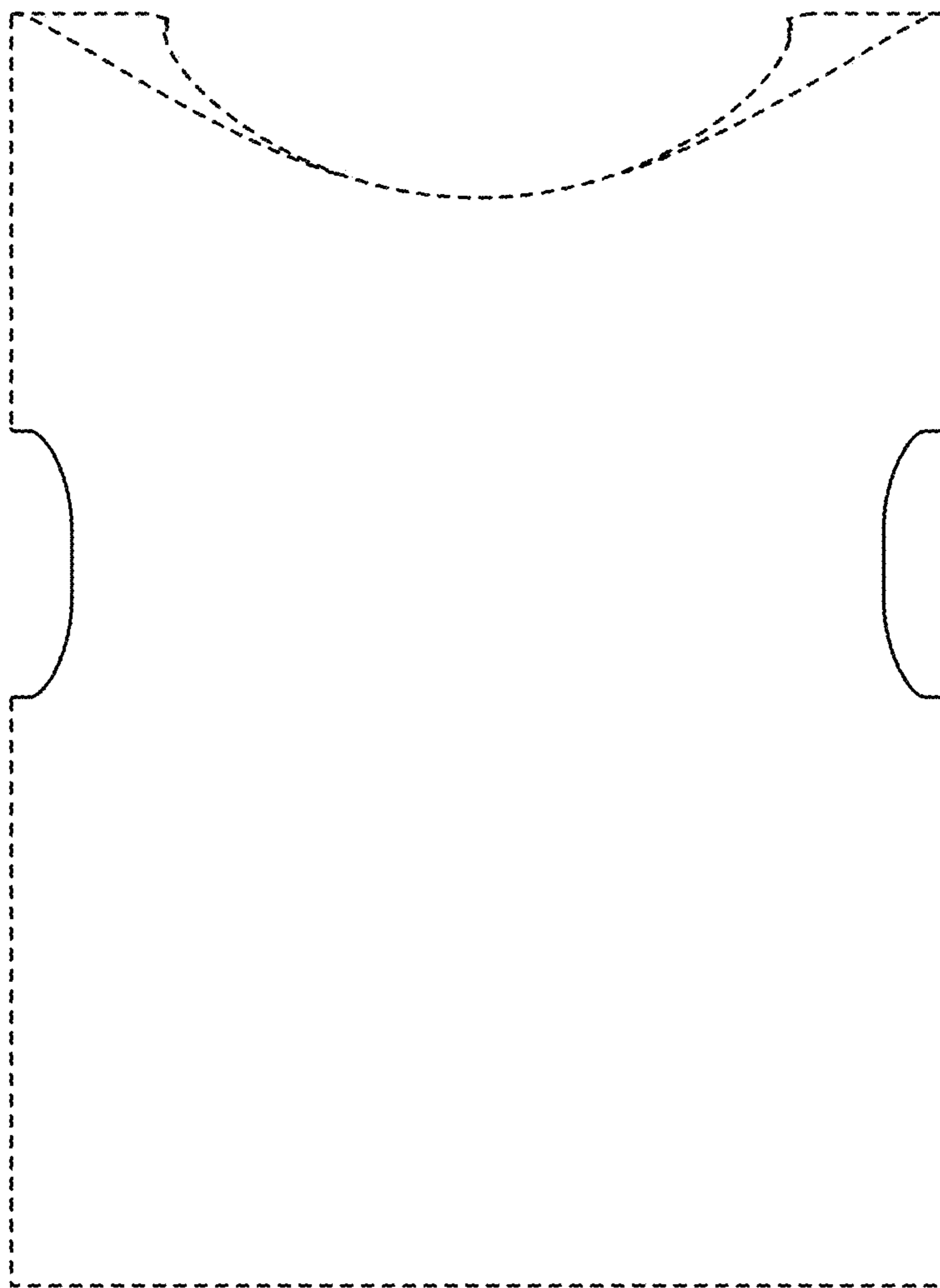


FIG. 8

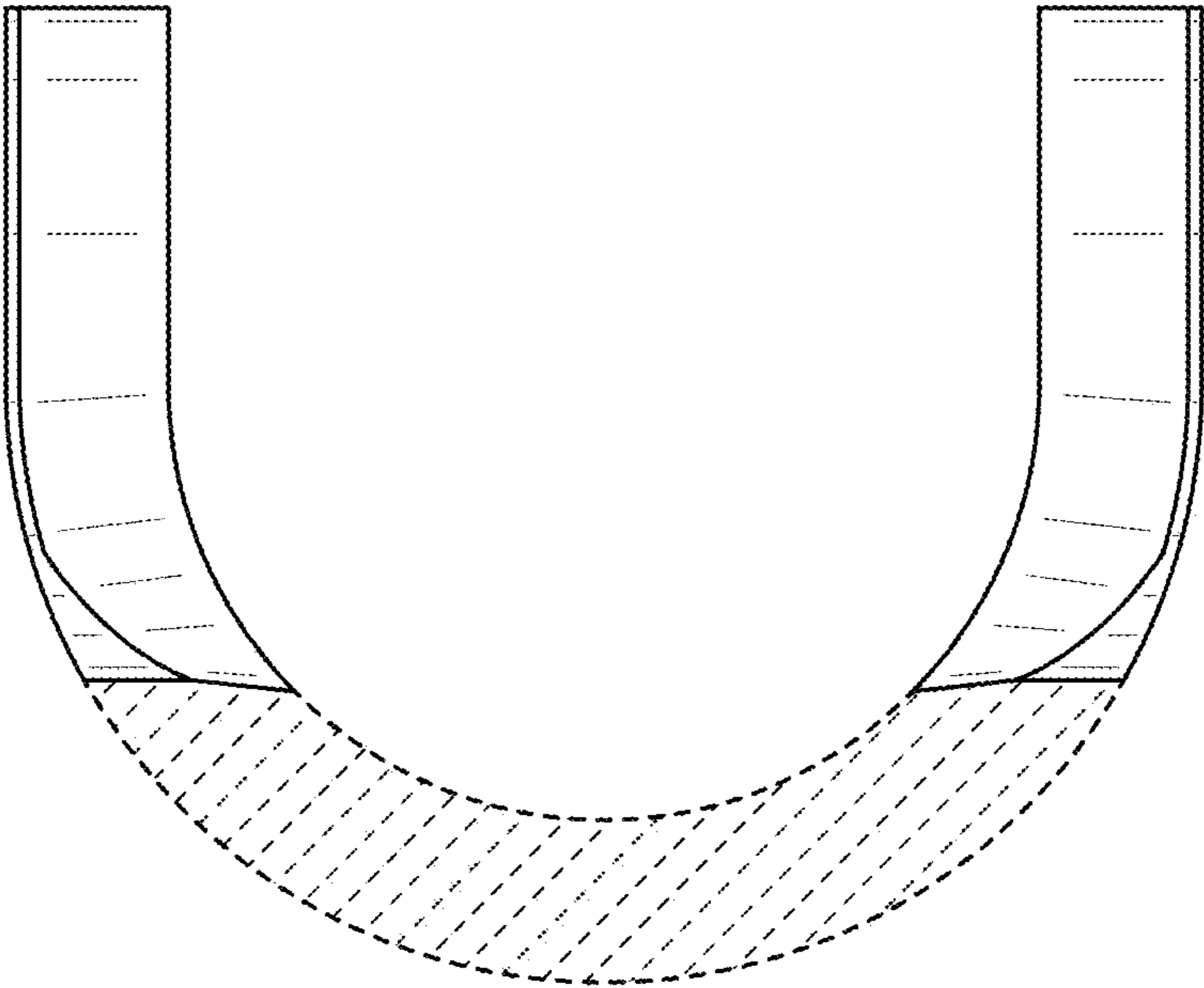


FIG. 9

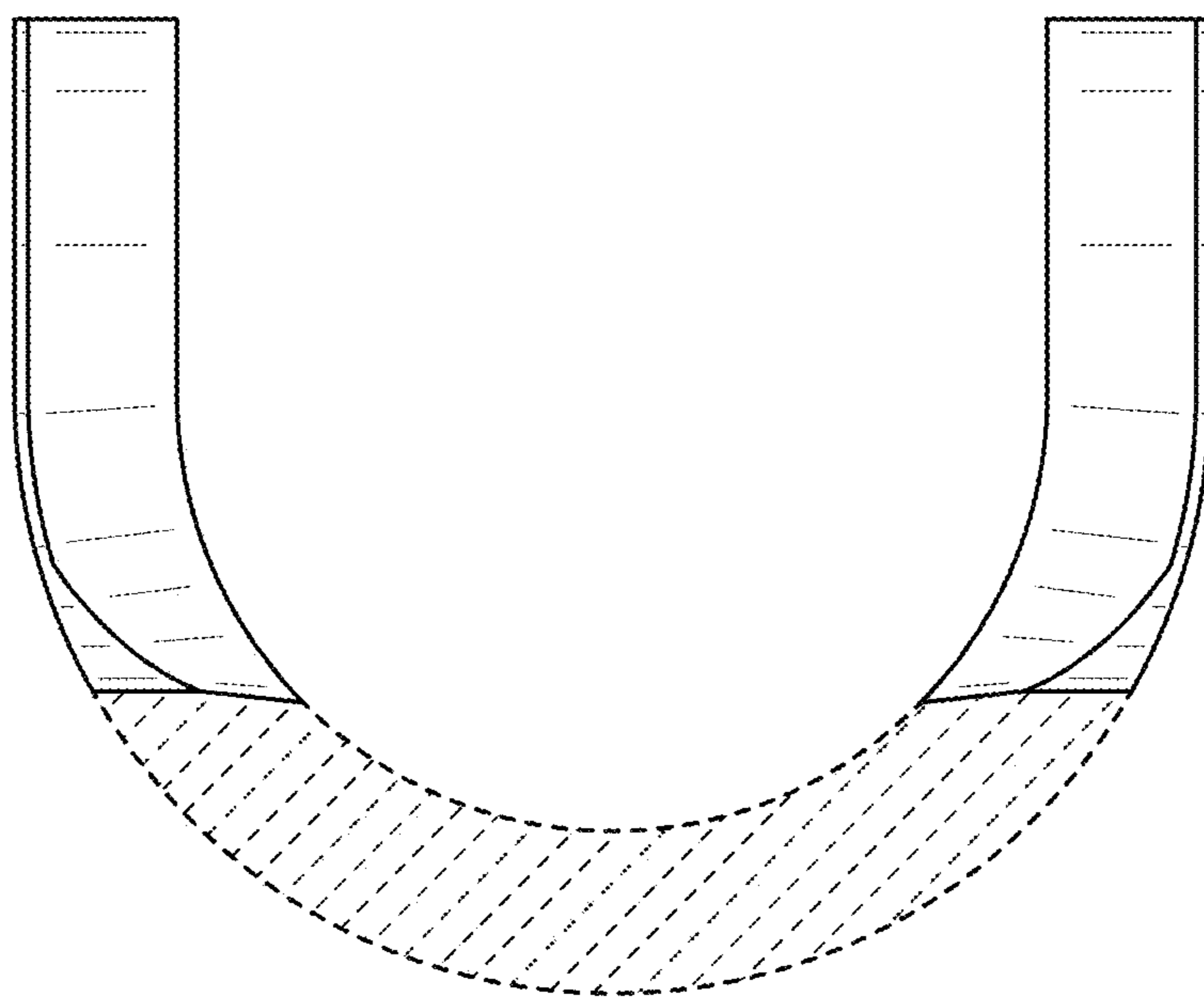


FIG. 10

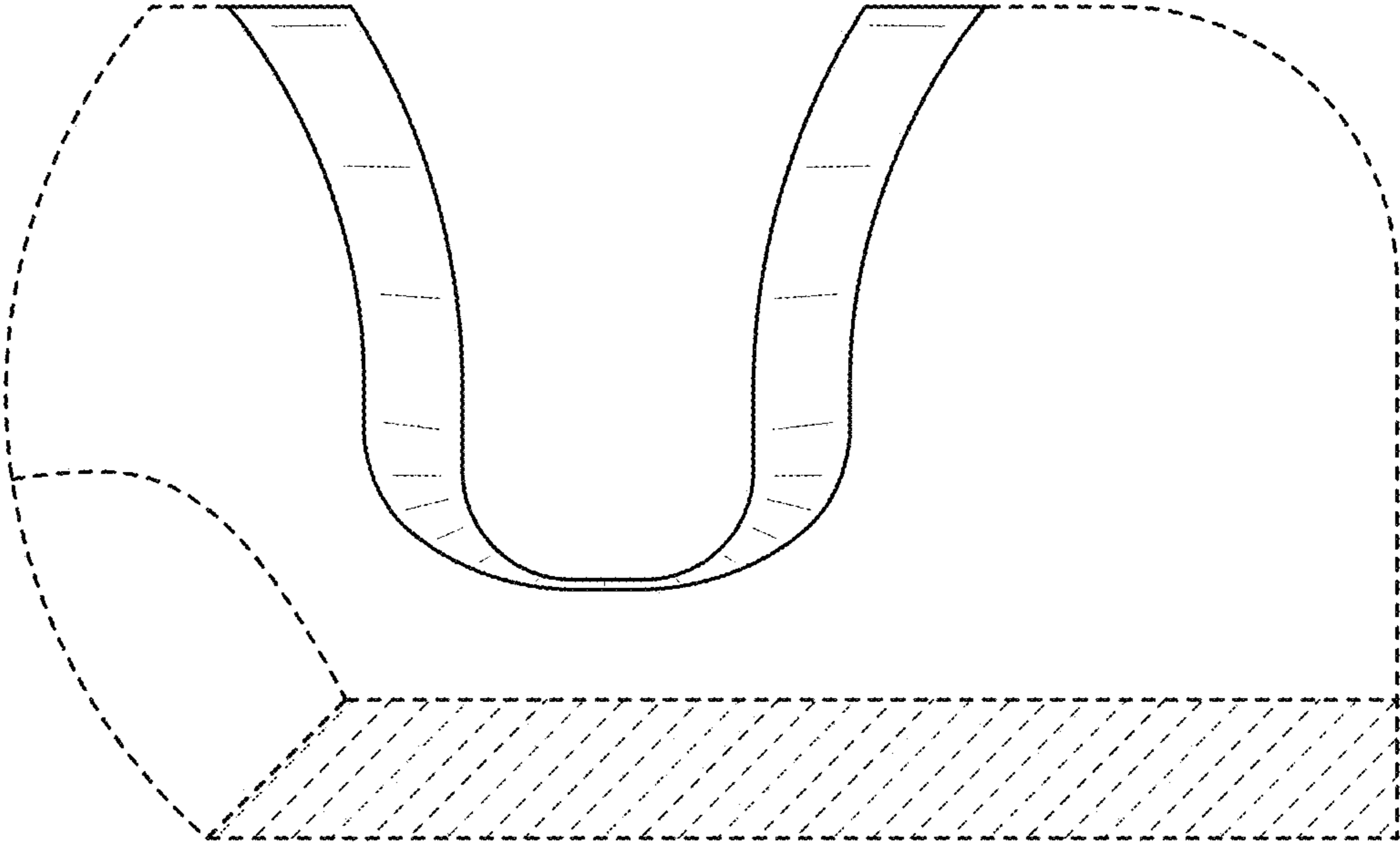


FIG. 11