

US00D961777S

(12) **United States Design Patent** (10) **Patent No.:** **US D961,777 S**  
**Ecklund et al.** (45) **Date of Patent:** **\*\* Aug. 23, 2022**

(54) **BED HOOK AND ADAPTER**  
(71) Applicant: **Sage Products, LLC**, Cary, IL (US)  
(72) Inventors: **Brian J. Ecklund**, Lakemoor, IL (US);  
**Jay R. Roberts**, Lakemoor, IL (US)  
(73) Assignee: **Sage Products, LLC**, Cary, IL (US)  
(\*\*) Term: **15 Years**  
(21) Appl. No.: **29/664,310**  
(22) Filed: **Sep. 24, 2018**  
(51) **LOC (13) Cl.** ..... **24-02**  
(52) **U.S. Cl.**  
USPC ..... **D24/169**  
(58) **Field of Classification Search**  
USPC ..... D8/363; D24/169, 184, 228, 231  
CPC ..... F16B 12/60; F16B 12/40  
See application file for complete search history.

D806,525 S \* 1/2018 Honein ..... D8/363  
D820,068 S \* 6/2018 Brooks ..... D8/363  
D889,945 S \* 7/2020 Bigongiari ..... D8/363  
D921,476 S \* 6/2021 Berglund ..... D8/363  
D931,087 S \* 9/2021 Yu ..... D8/363

\* cited by examiner

*Primary Examiner* — Eliza Z Harvey  
(74) *Attorney, Agent, or Firm* — Foley & Lardner LLP

(57) **CLAIM**

We claim the ornamental design for a bed hook and adapter, as shown and described.

**DESCRIPTION**

FIG. 1 is a top, rear, left perspective view of the claimed design, showing environmental structure;  
FIG. 2 is a close up view of region 2 of FIG. 1;  
FIG. 3 is a rear, left perspective view of FIG. 1, showing environmental structure;  
FIG. 4 is a bottom, front, right perspective view of FIG. 1;  
FIG. 5 is a rear, left perspective view thereof;  
FIG. 6 is a front elevation view thereof;  
FIG. 7 is a rear elevation view thereof;  
FIG. 8 is a left elevation view thereof;  
FIG. 9 is a right elevation view thereof;  
FIG. 10 is a top plan view thereof; and,  
FIG. 11 is a bottom plan view thereof.

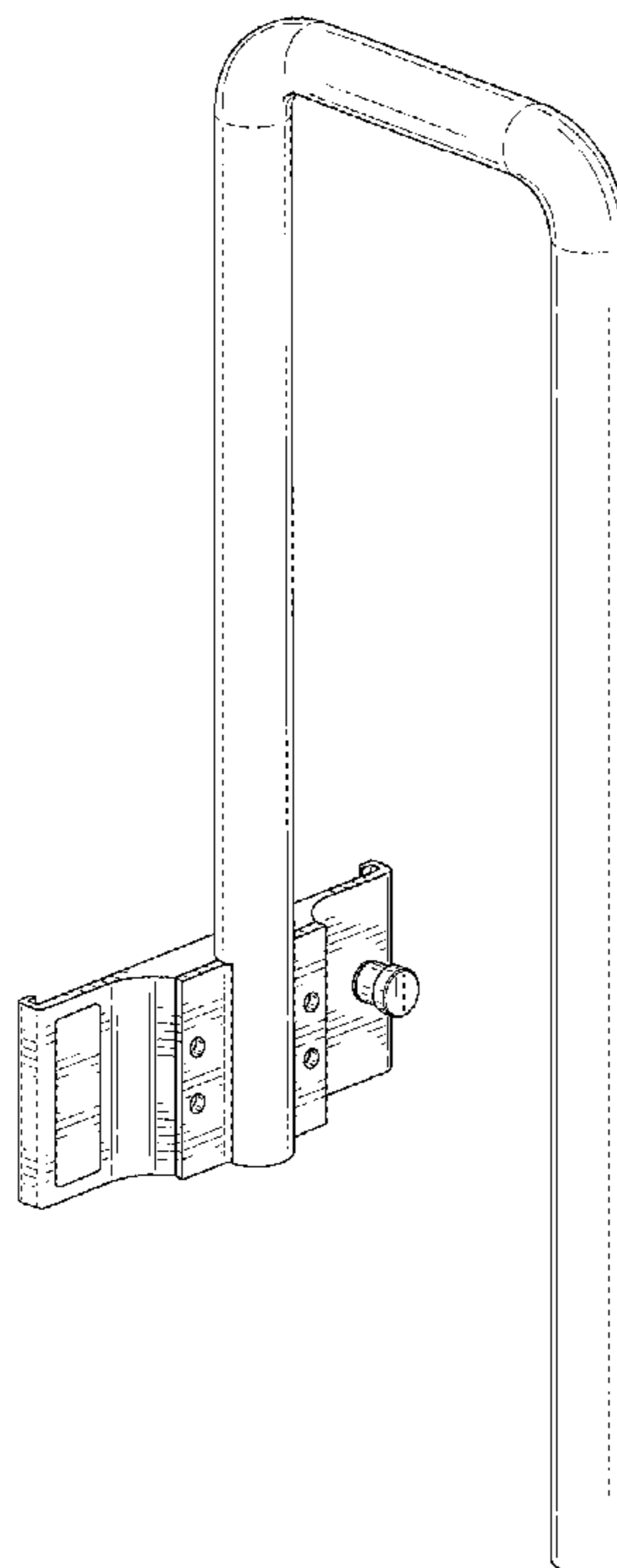
The ornamental design which is claimed is shown in solid lines in the drawings: The broken lines in the drawings are for illustrative purposes only and form no part of the claimed design. Broken lines formed by equal length dashes show unclaimed subject matter.

**1 Claim, 9 Drawing Sheets**

(56) **References Cited**

U.S. PATENT DOCUMENTS

D136,137 S \* 8/1943 Teninty ..... D8/380  
D237,859 S \* 12/1975 Ventimiglia ..... D24/199  
D237,941 S \* 12/1975 Dotter ..... 248/539  
D383,665 S \* 9/1997 Vissers ..... D8/363  
D402,187 S \* 12/1998 Caudle ..... D8/363  
D406,050 S \* 2/1999 DeSouza ..... D8/363  
D427,642 S \* 7/2000 Pugliese ..... D20/43  
D435,784 S \* 1/2001 Kampe ..... D8/363  
D439,505 S \* 3/2001 Dunning ..... D8/363  
D442,067 S \* 5/2001 Kampe ..... D8/363  
D445,669 S \* 7/2001 Goodman ..... D8/367  
D773,286 S \* 12/2016 Moses ..... D8/363



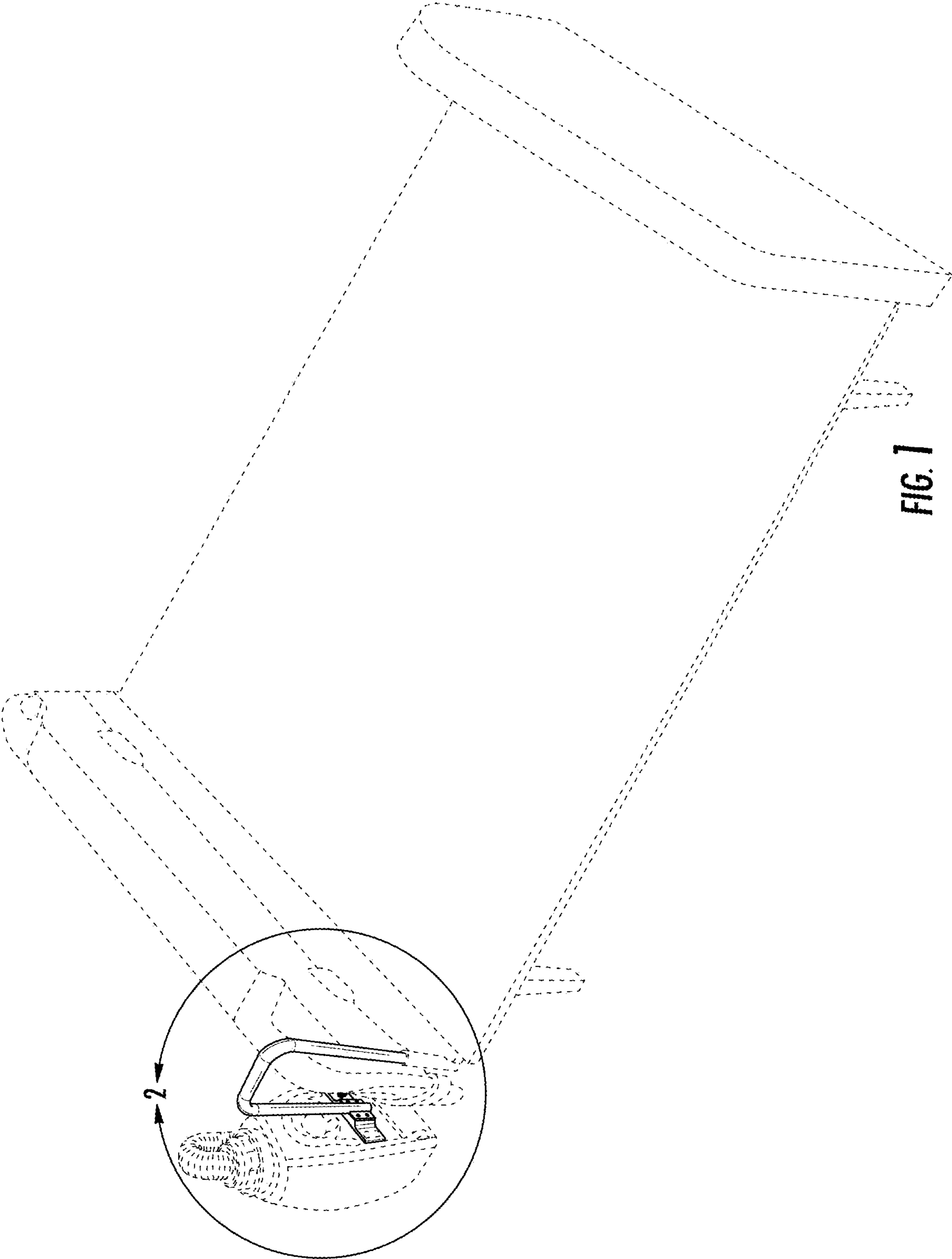


FIG. 1

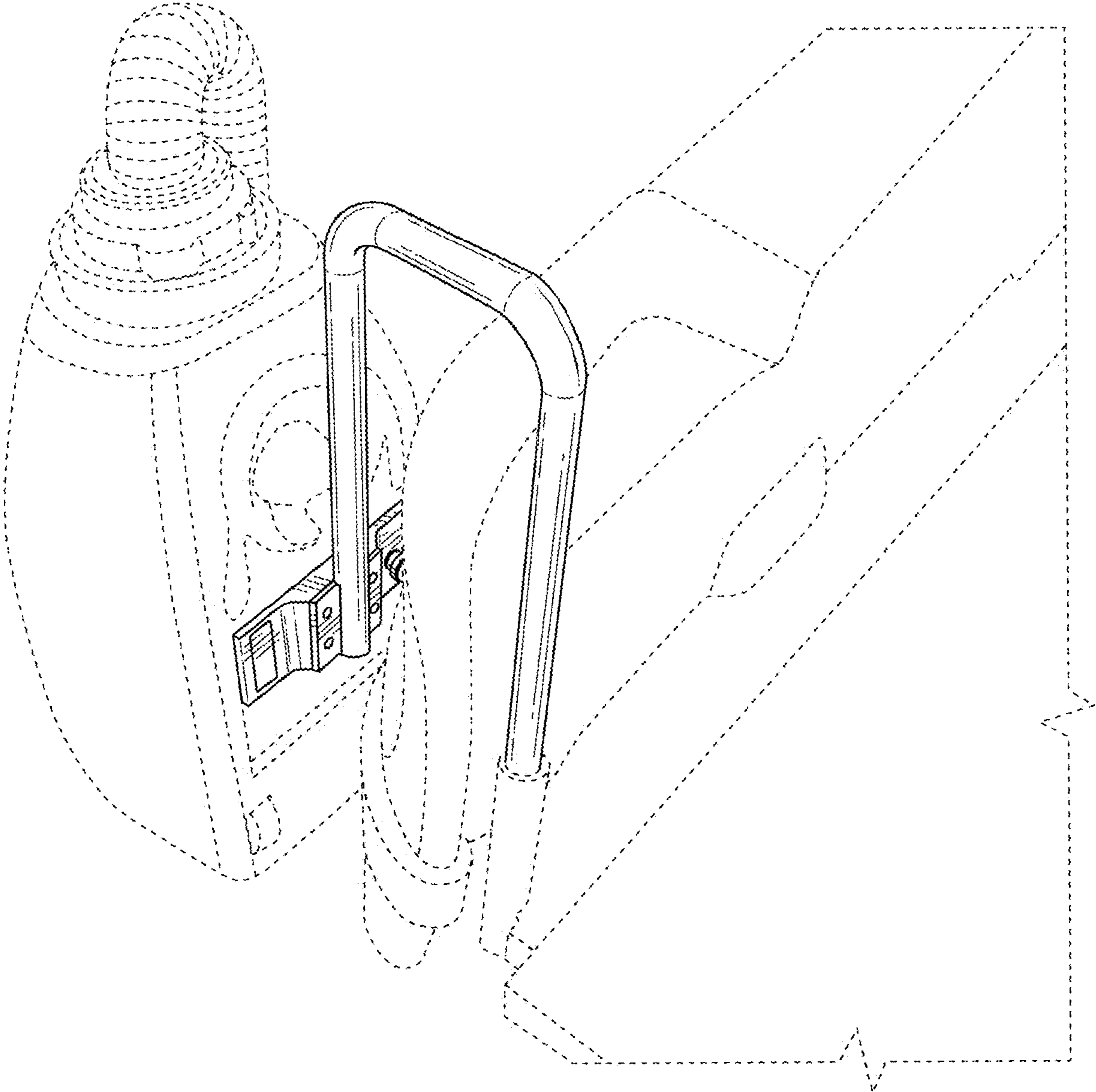


FIG. 2

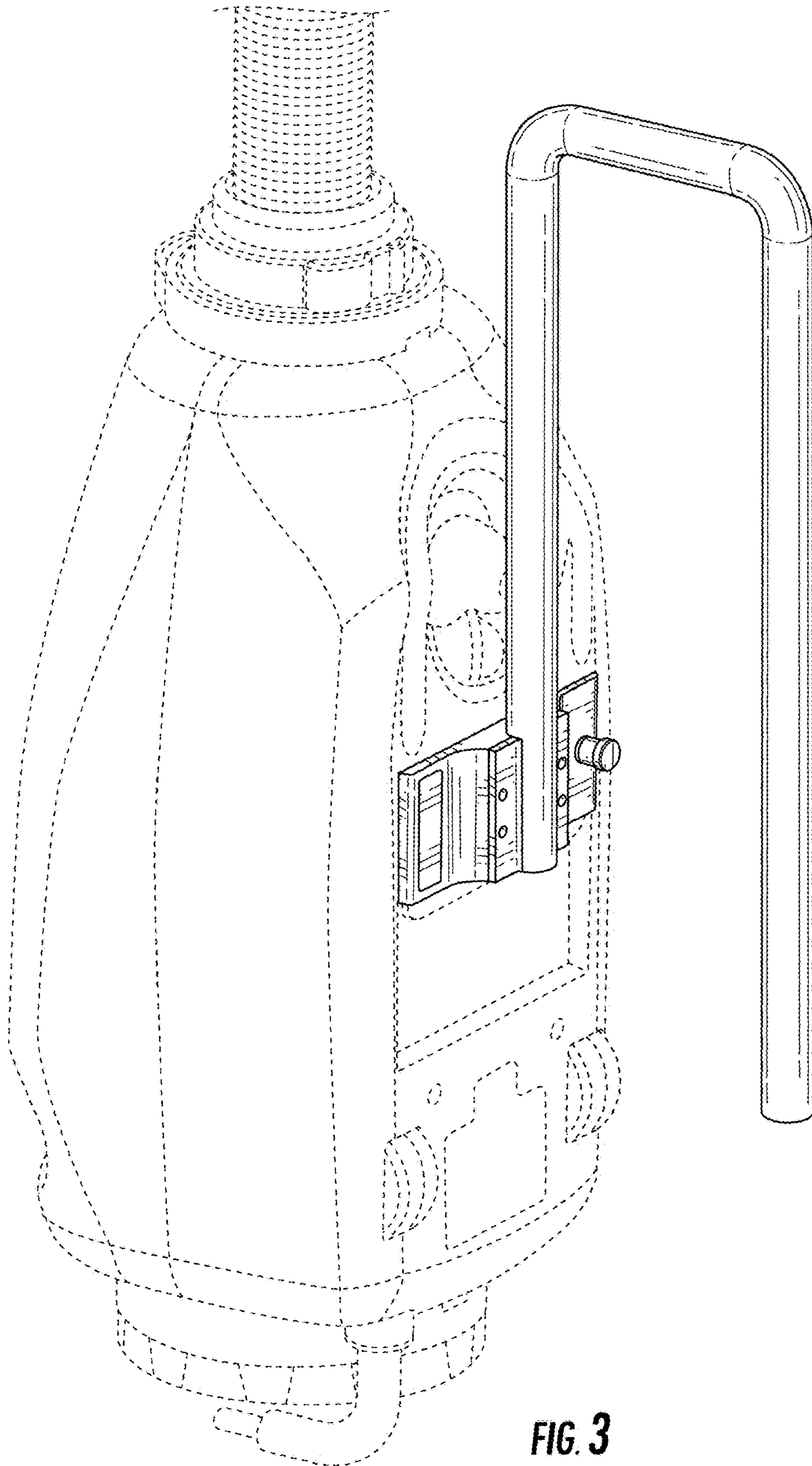


FIG. 3

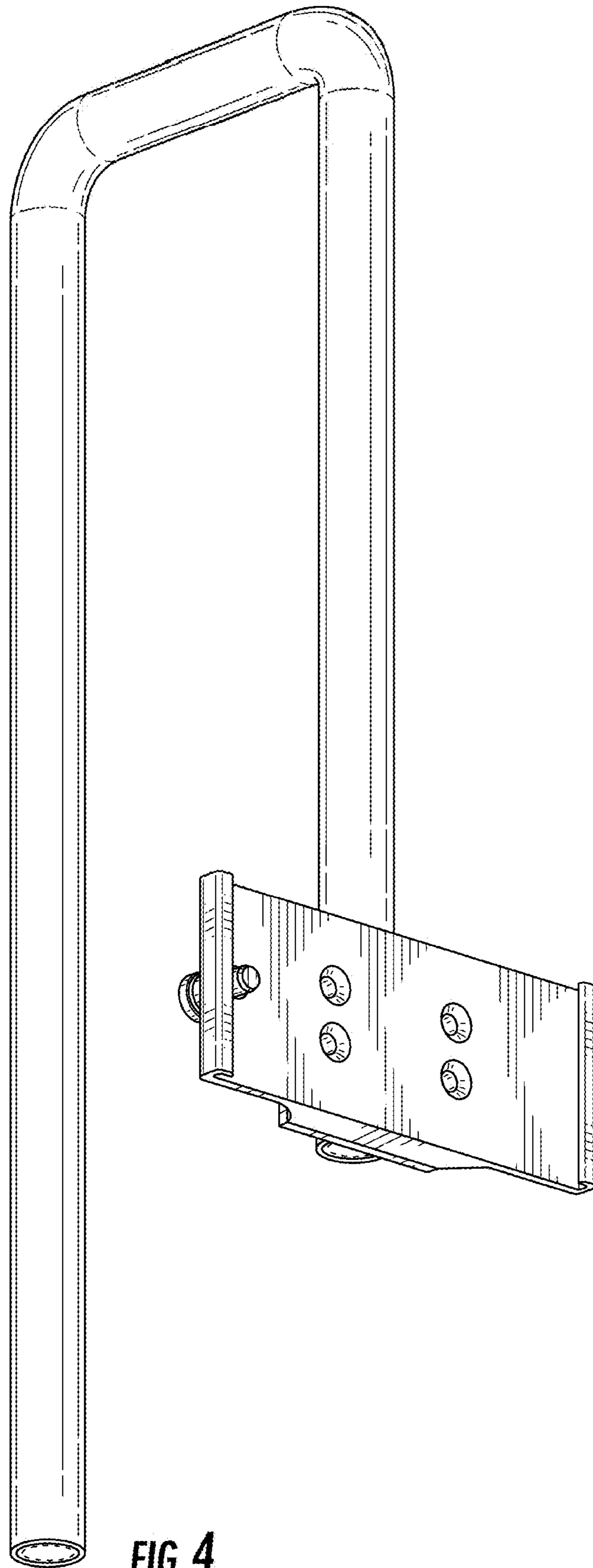


FIG. 4

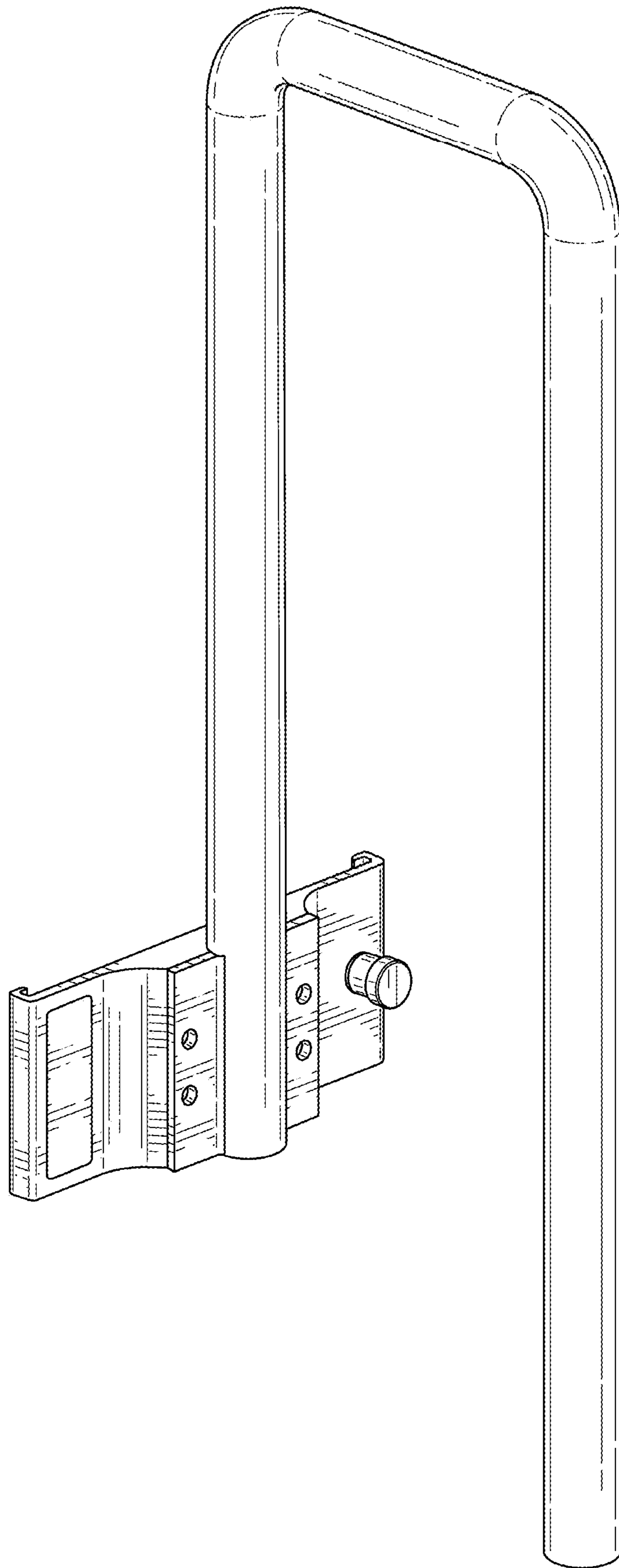
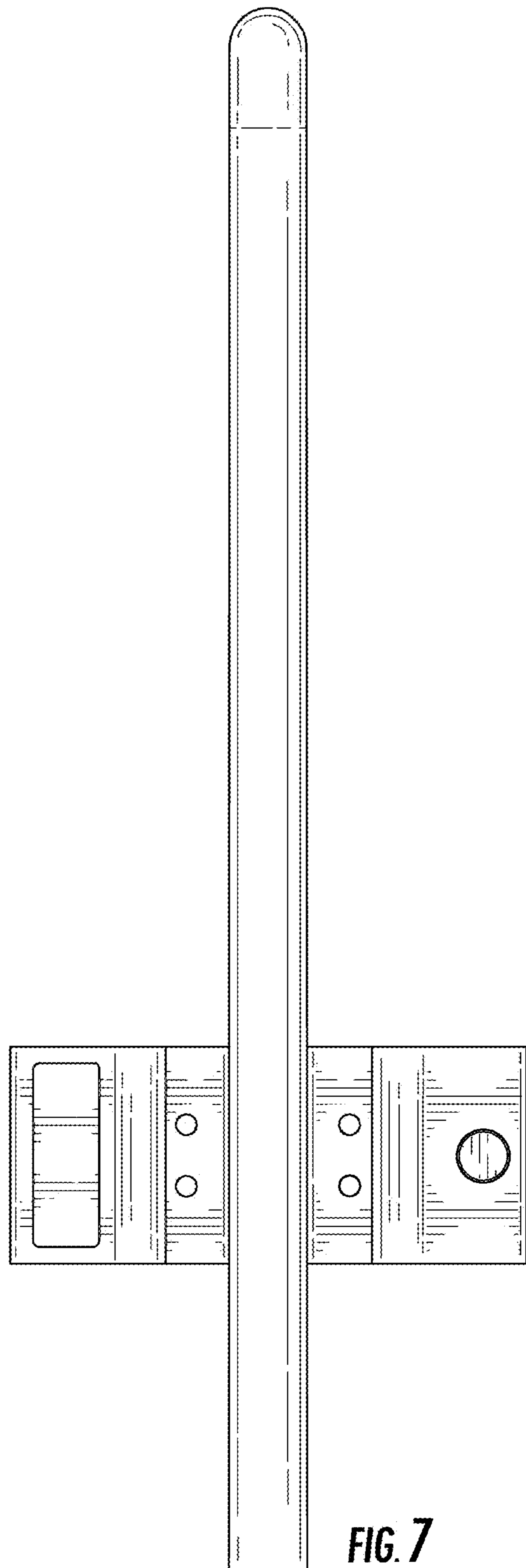
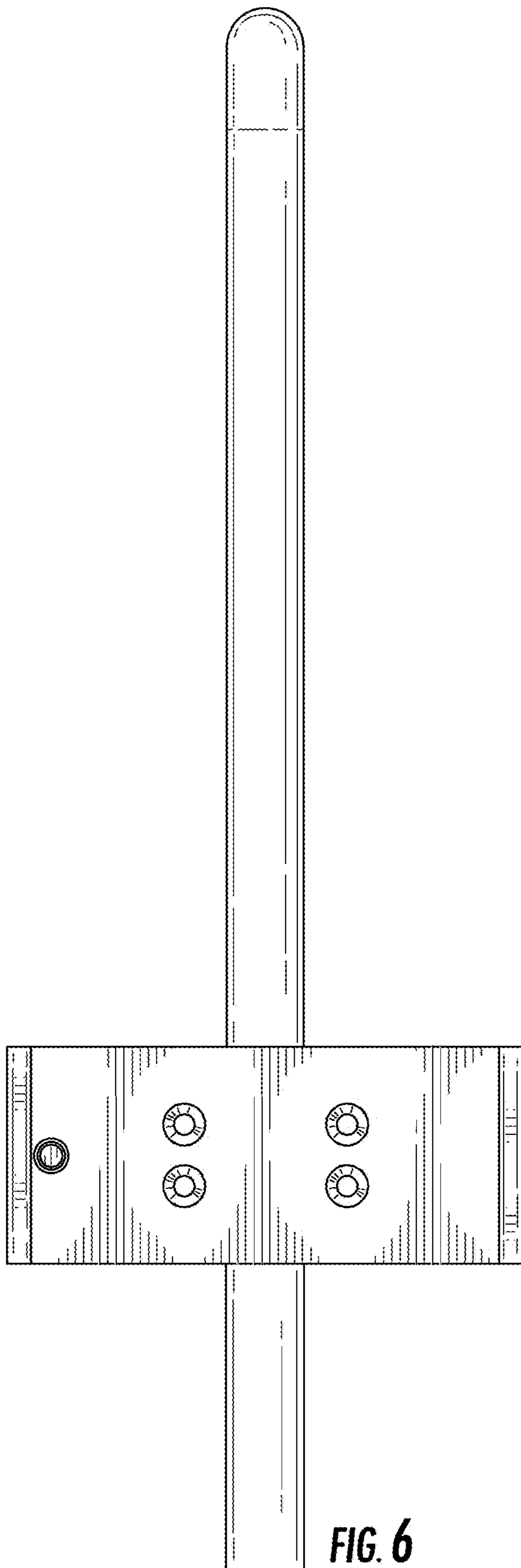
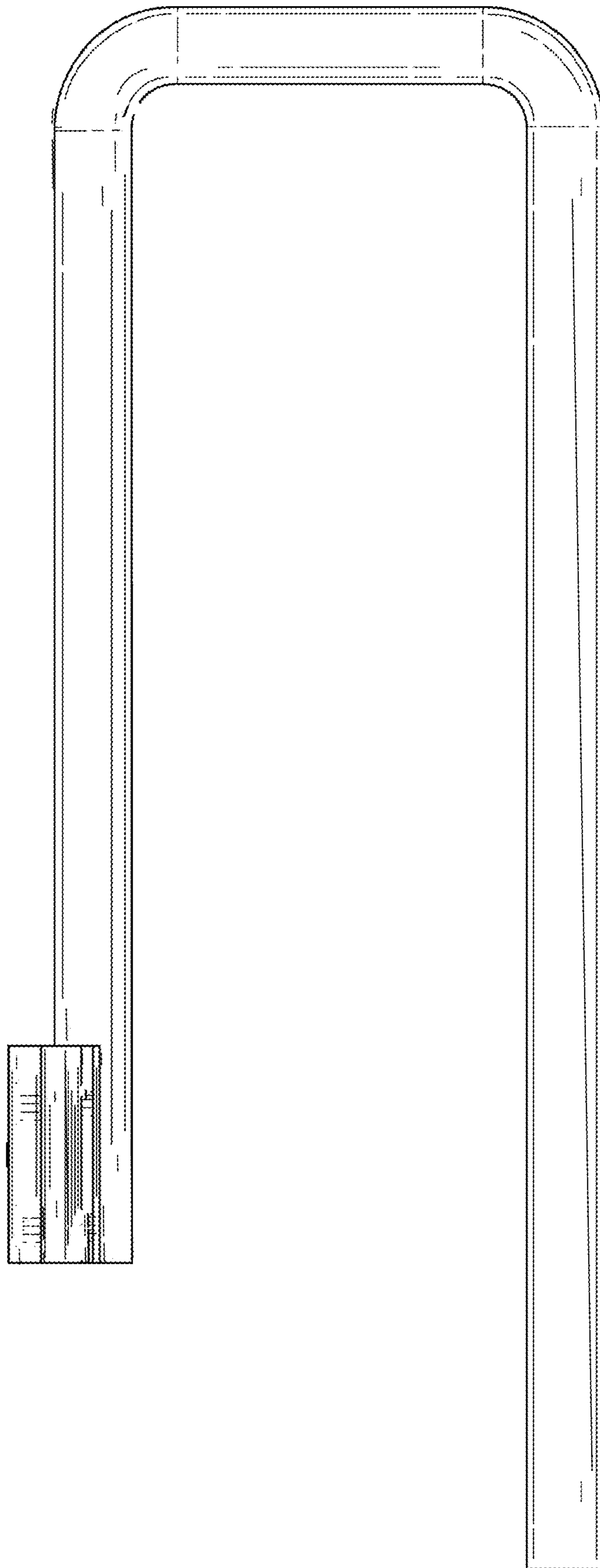


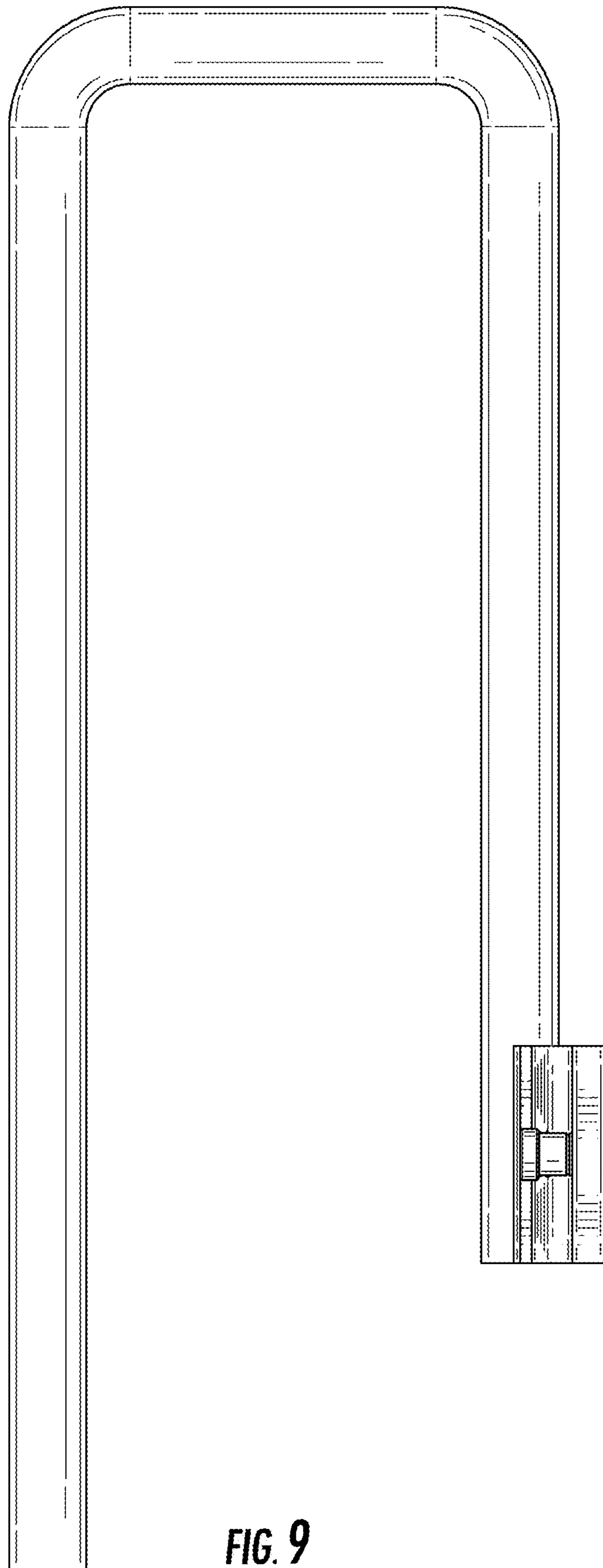
FIG. 5

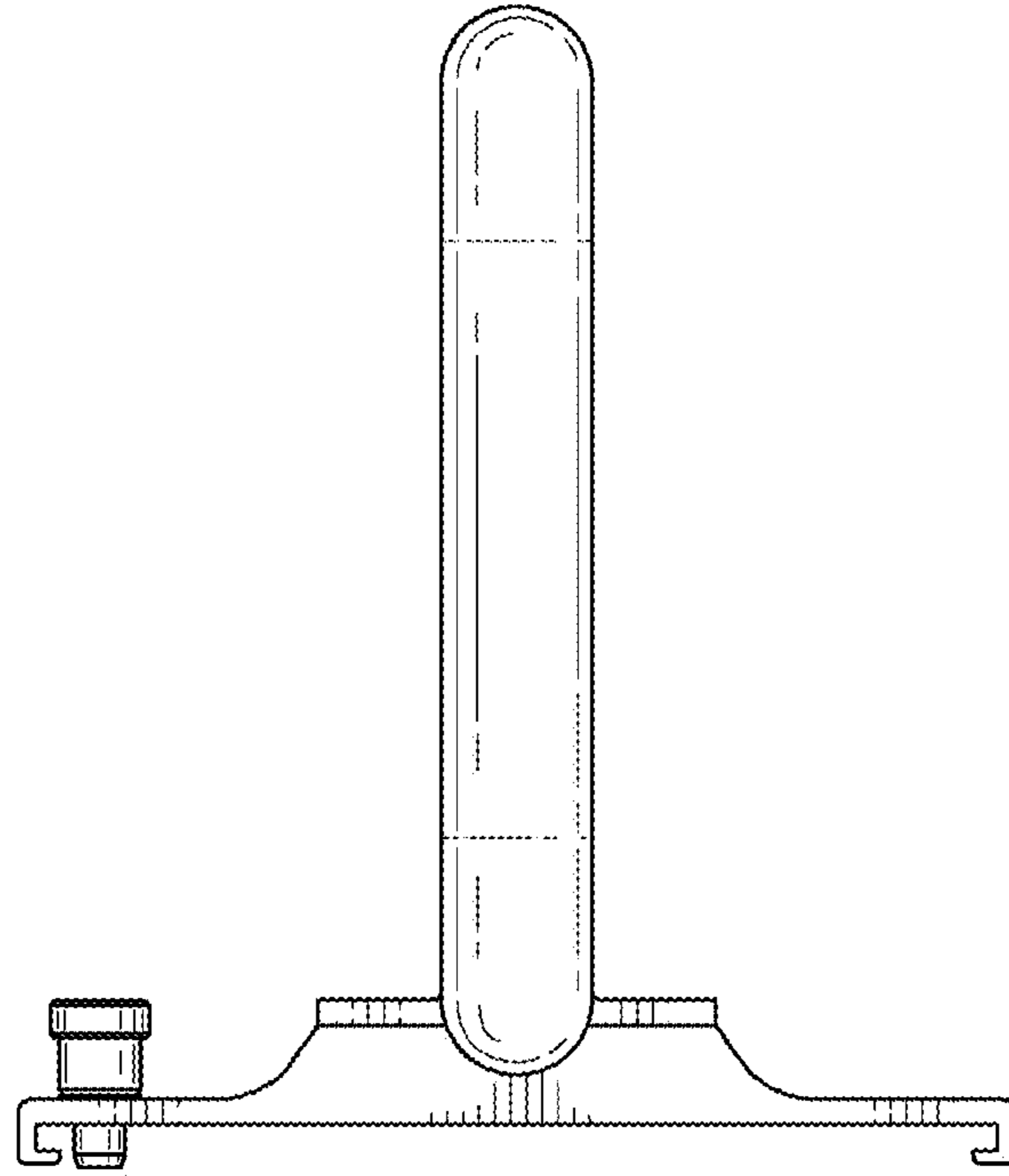




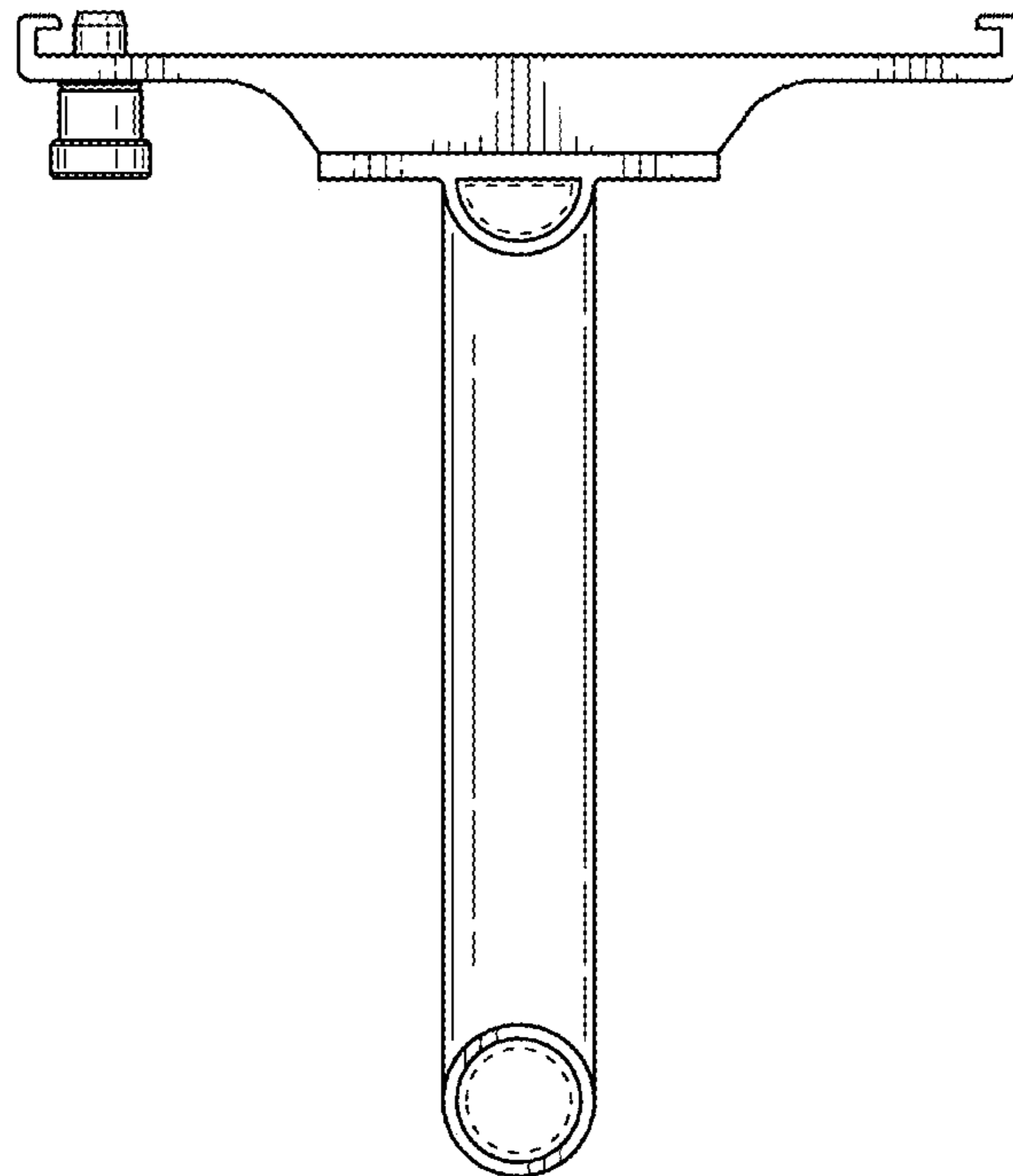
**FIG. 8**







**FIG. 10**



**FIG. 11**