



US00D961776S

(12) **United States Design Patent** (10) **Patent No.:** **US D961,776 S**  
**Hutchinson et al.** (45) **Date of Patent:** **\*\* Aug. 23, 2022**

(54) **INCUBATOR NOISE CONTROL SUPPORT**

D852,961 S \* 7/2019 Ellenz ..... D24/185  
D897,335 S \* 9/2020 Kraus ..... D14/299  
2021/0082389 A1\* 3/2021 Hutchinson ..... G10K 11/17881

(71) Applicant: **Invictus Medical, Inc.**, San Antonio, TX (US)

(72) Inventors: **George Martin Hutchinson**, San Antonio, TX (US); **Lilin Du**, San Antonio, TX (US)

(73) Assignee: **Invictus Medical, Inc.**, San Antonio, TX (US)

(\* ) Notice: Patent file contains an affidavit/declaration under 37 CFR 1.130(b).

(\*\*) Term: **15 Years**

(21) Appl. No.: **29/705,742**

(22) Filed: **Sep. 15, 2019**

(51) **LOC (13) Cl.** ..... **24-01**

(52) **U.S. Cl.**  
USPC ..... **D24/163**

(58) **Field of Classification Search**  
USPC ..... D24/163, 164, 185, 186, 202, 321;  
D14/299  
CPC ..... A61G 2210/30; A61G 2203/30; A61G 11/001; G01K 11/17881; G01K 11/17857; G01K 2210/116  
See application file for complete search history.

(56) **References Cited**

**U.S. PATENT DOCUMENTS**

D706,932 S \* 6/2014 Matsubara ..... D24/163  
D815,287 S \* 4/2018 Hampe ..... D24/163  
D820,454 S \* 6/2018 Falk ..... D24/163

**OTHER PUBLICATIONS**

Neoasis™ | Invictus Medical. Published in 2018. Retrieved from website: Neoasis™ \_ Invictus Medical.html on Aug. 12, 2021.\*

\* cited by examiner

*Primary Examiner* — Anhdao Doan

(74) *Attorney, Agent, or Firm* — Robert A. Lawler

(57) **CLAIM**

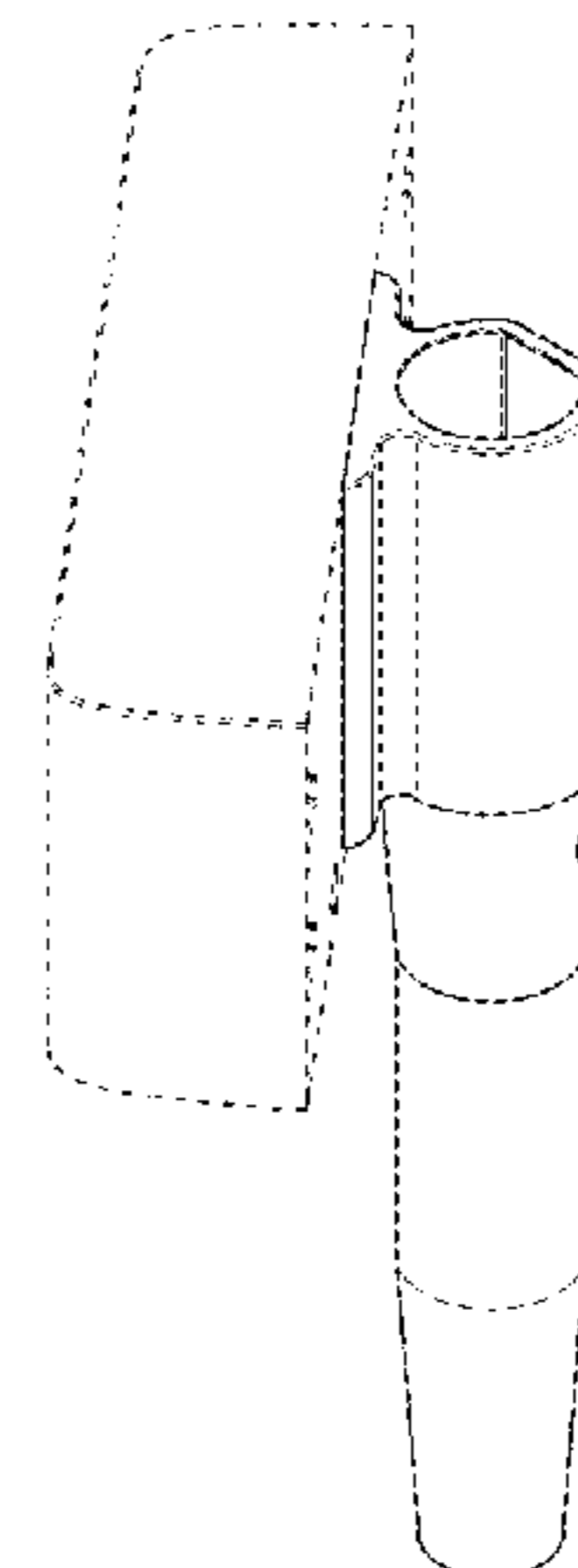
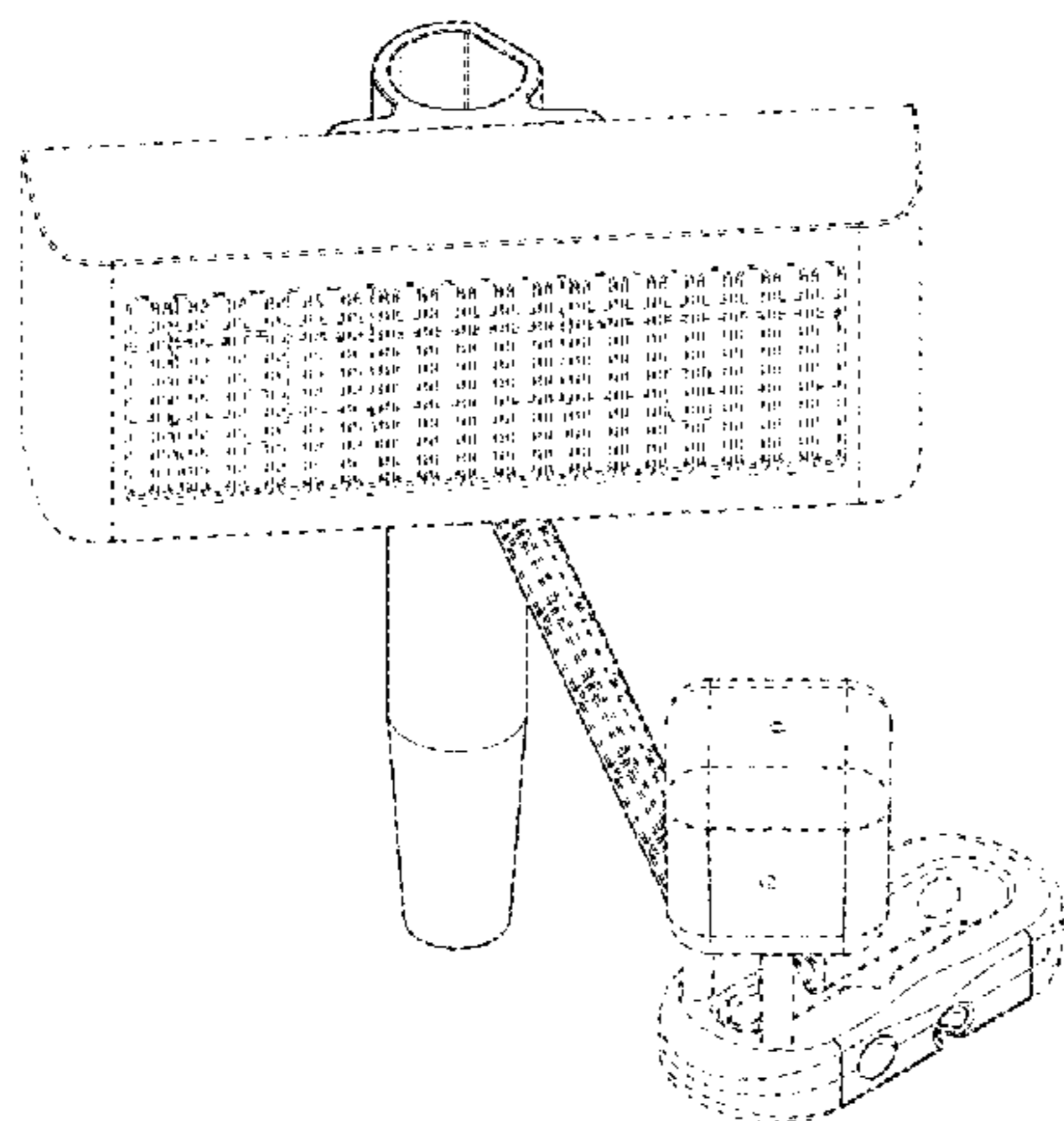
We claim the ornamental design for an incubator noise control support, as shown and described.

**DESCRIPTION**

FIG. 1 is perspective view of an embodiment of an incubator noise control support;  
FIG. 2 is a front view thereof;  
FIG. 3 is a top plan view thereof;  
FIG. 4 is a bottom plan view thereof;  
FIG. 5 is a back view thereof;  
FIG. 6 is a right side view thereof;  
FIG. 7 is a left side view thereof;  
FIG. 8 is a perspective view of another embodiment of an incubator noise control support;  
FIG. 9 is a front view thereof;  
FIG. 10 is a top plan view thereof;  
FIG. 11 is a bottom plan view thereof;  
FIG. 12 is a back view thereof;  
FIG. 13 is a right side view thereof; and,  
FIG. 14 is a left side view thereof.

The broken lines depict portions of the incubator noise control support that form no part of the claimed design.

**1 Claim, 12 Drawing Sheets**



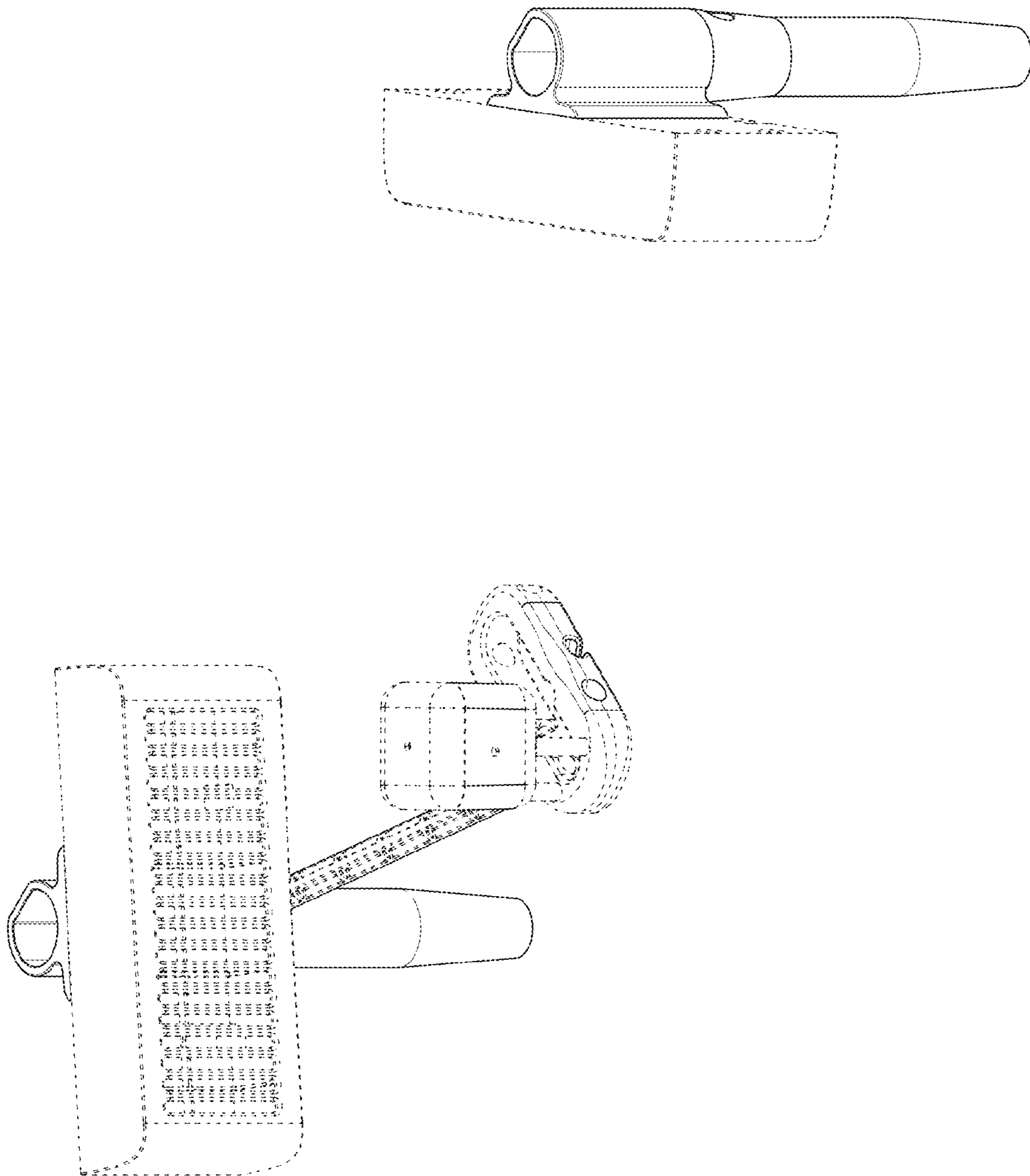


FIG. 1

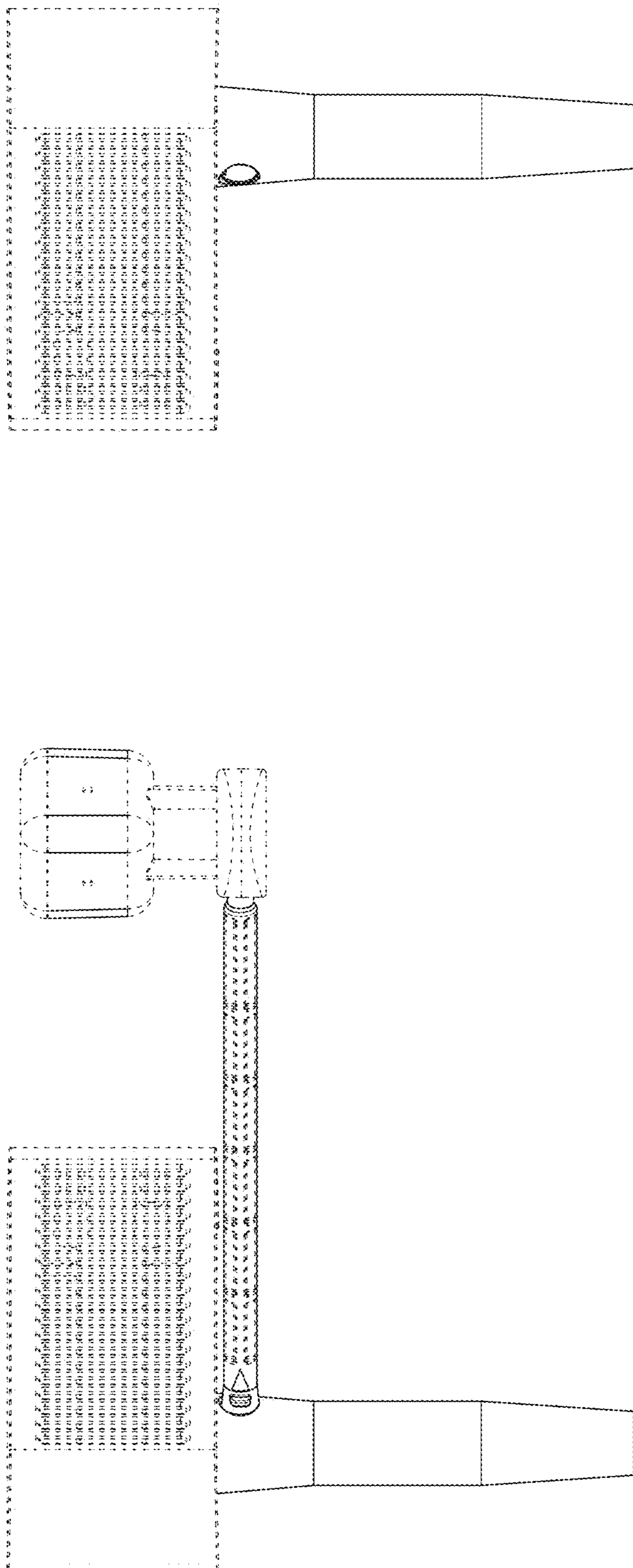


FIG. 2

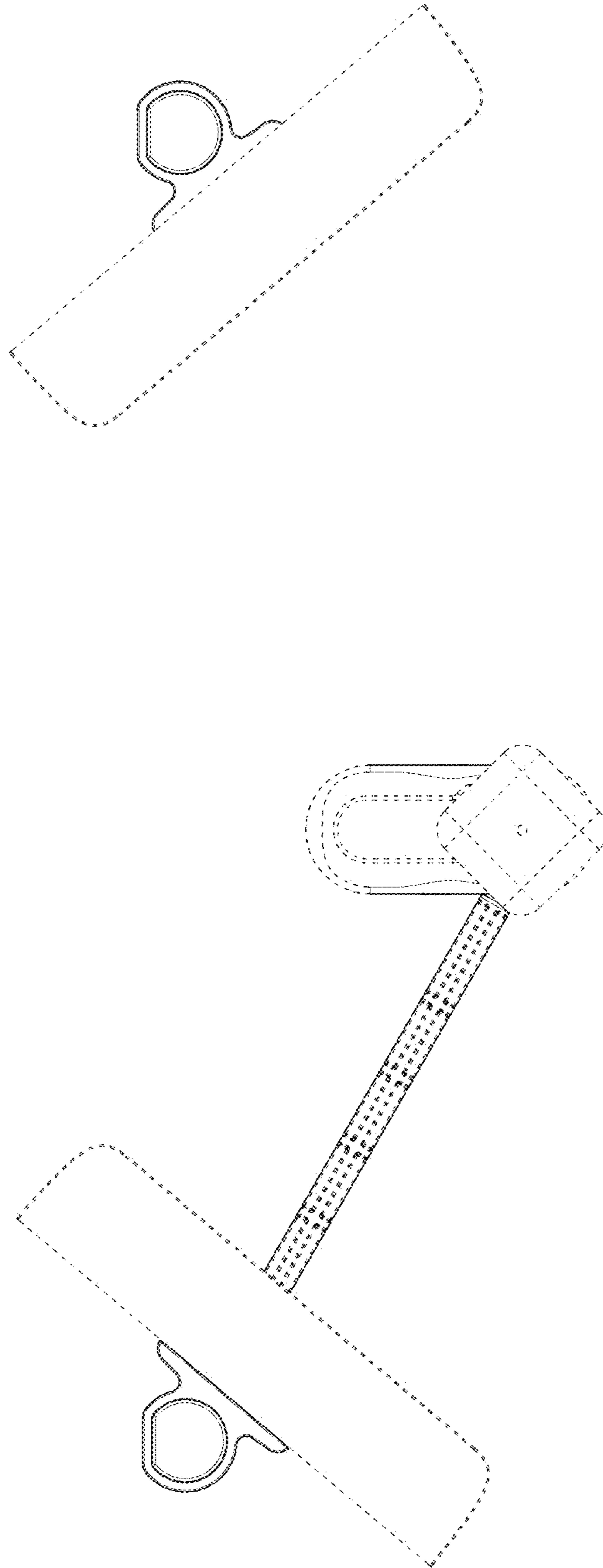


FIG. 3

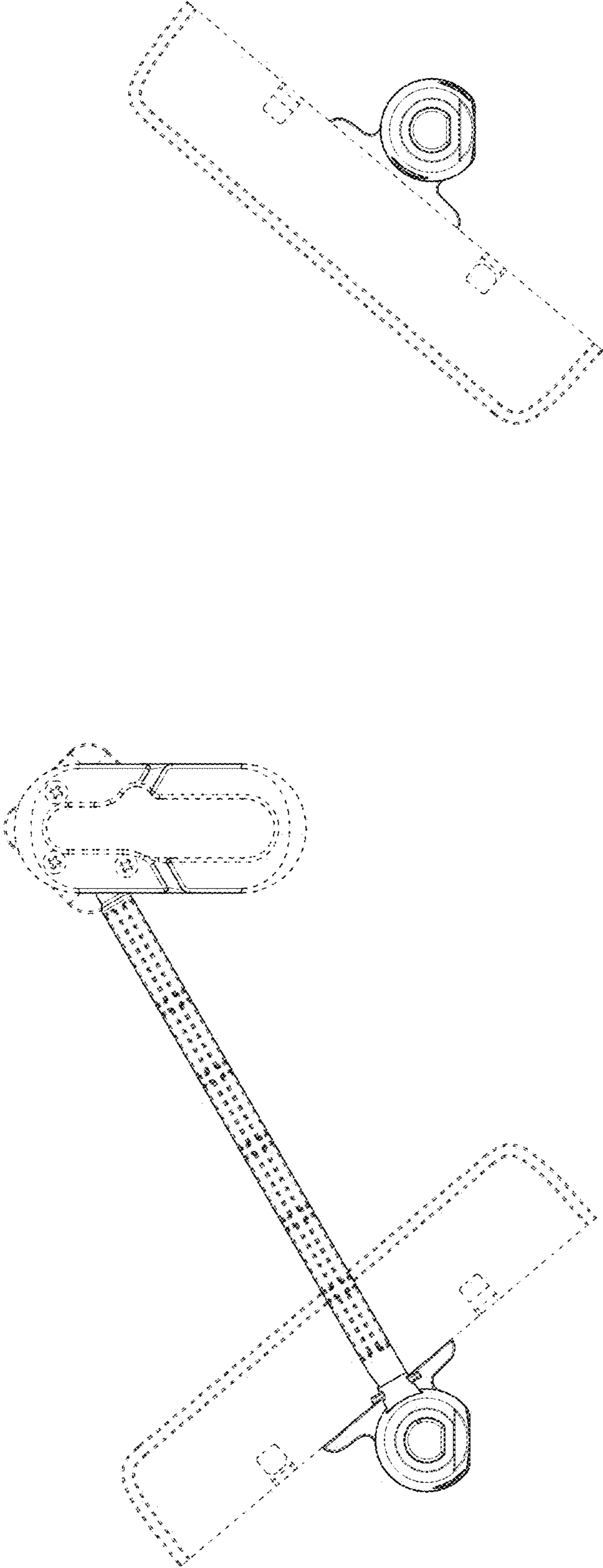


FIG. 4

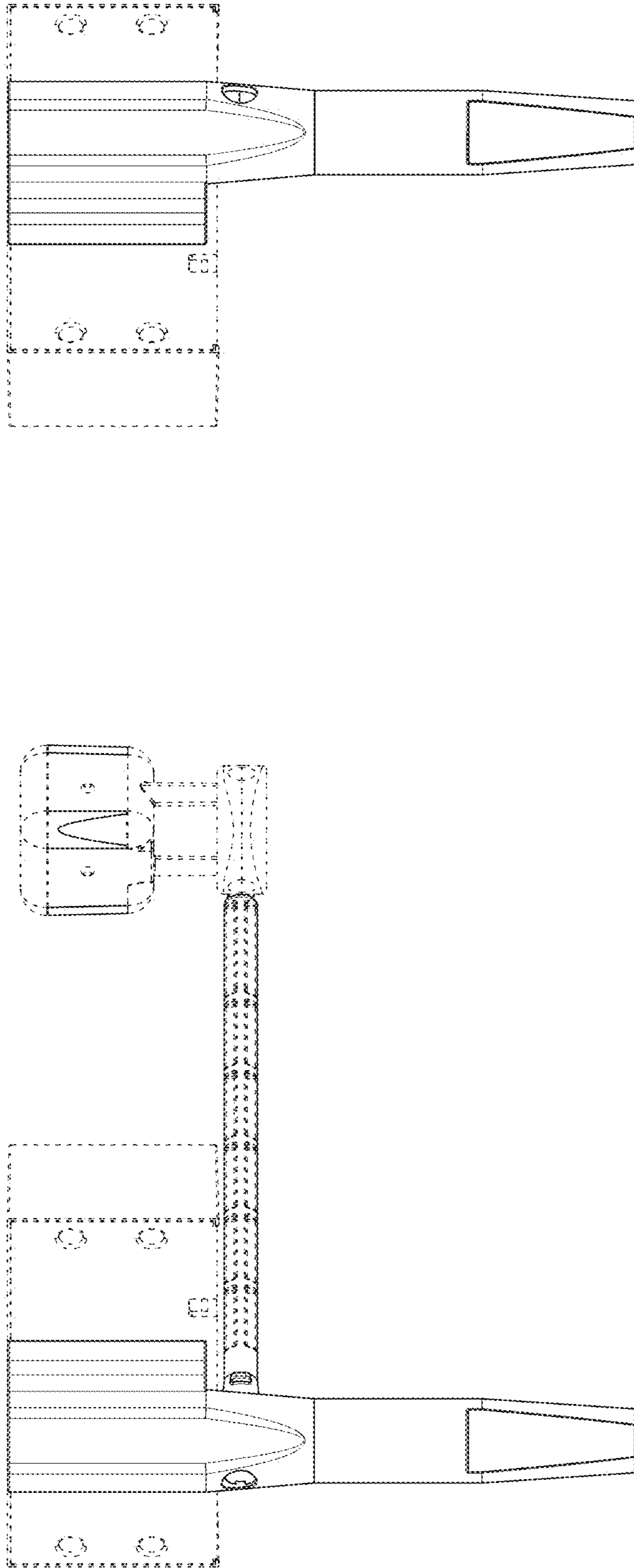
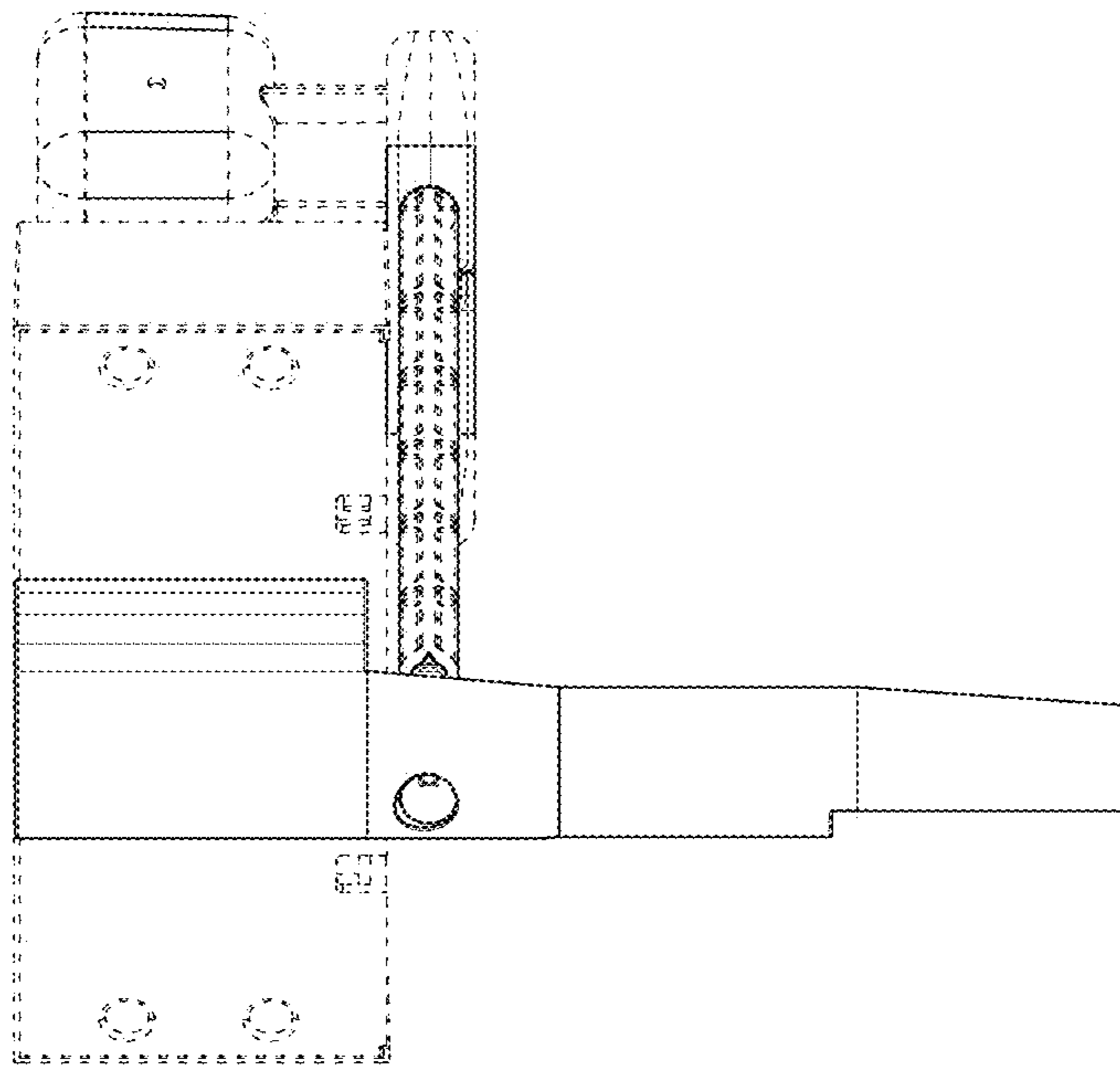
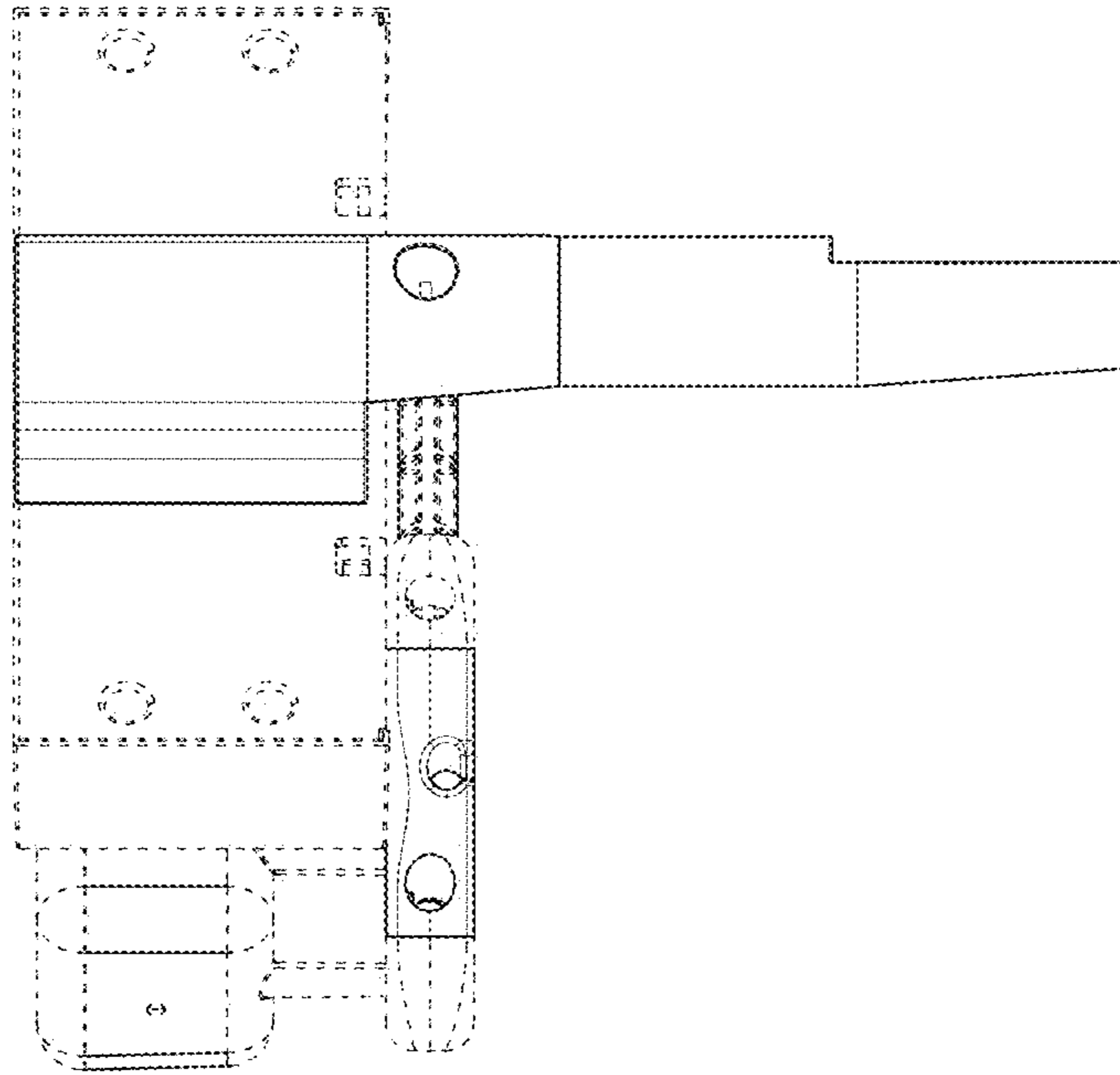


FIG. 5



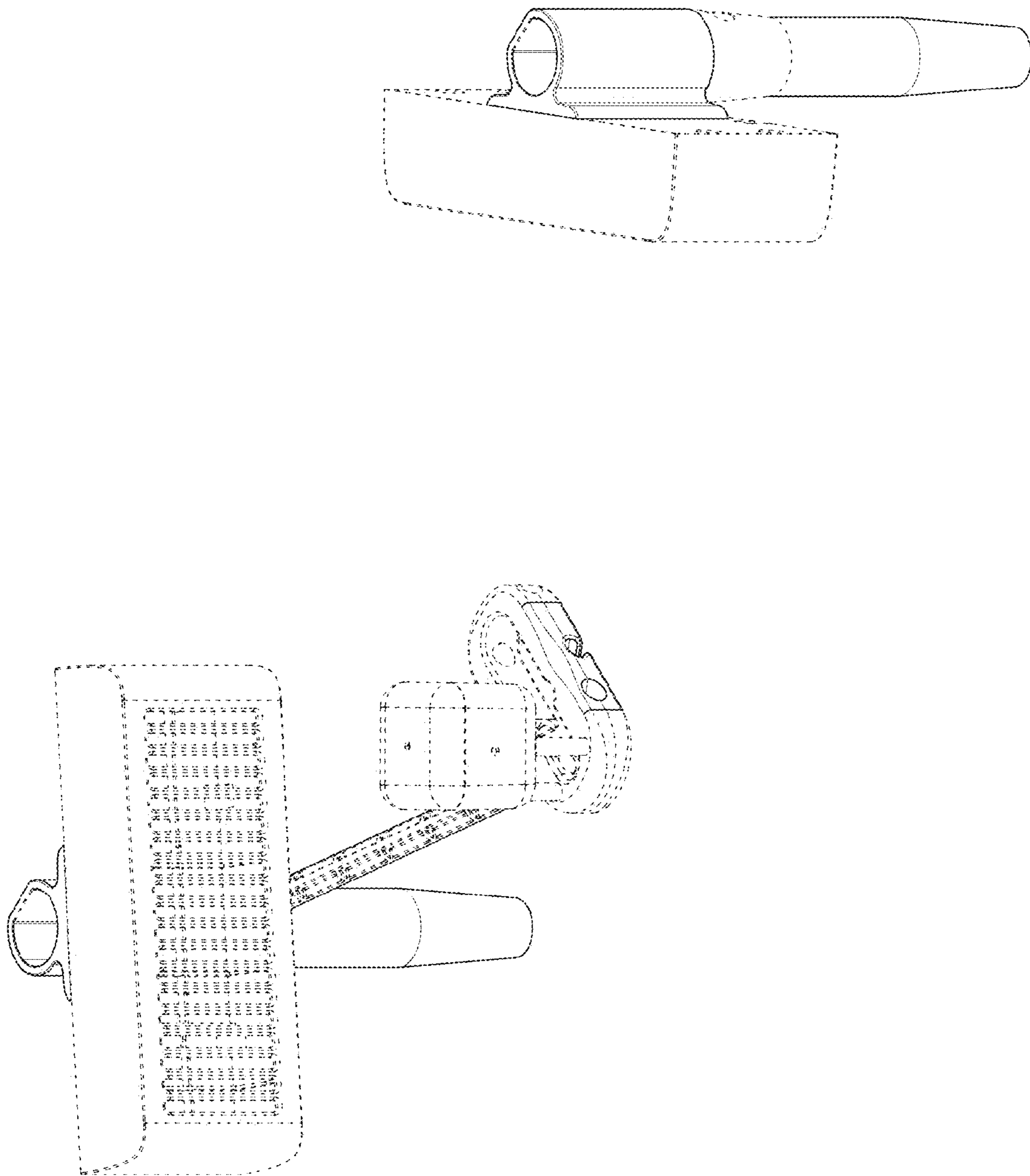


FIG. 8



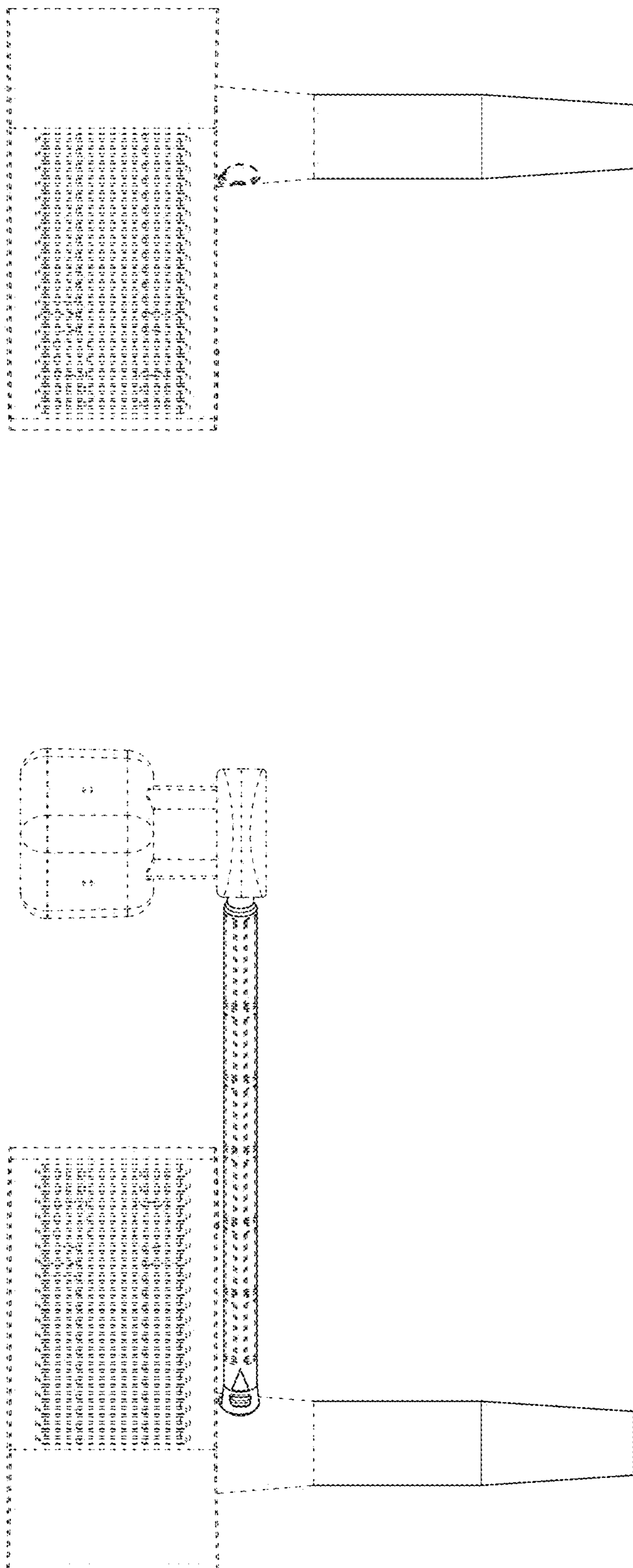


FIG. 9

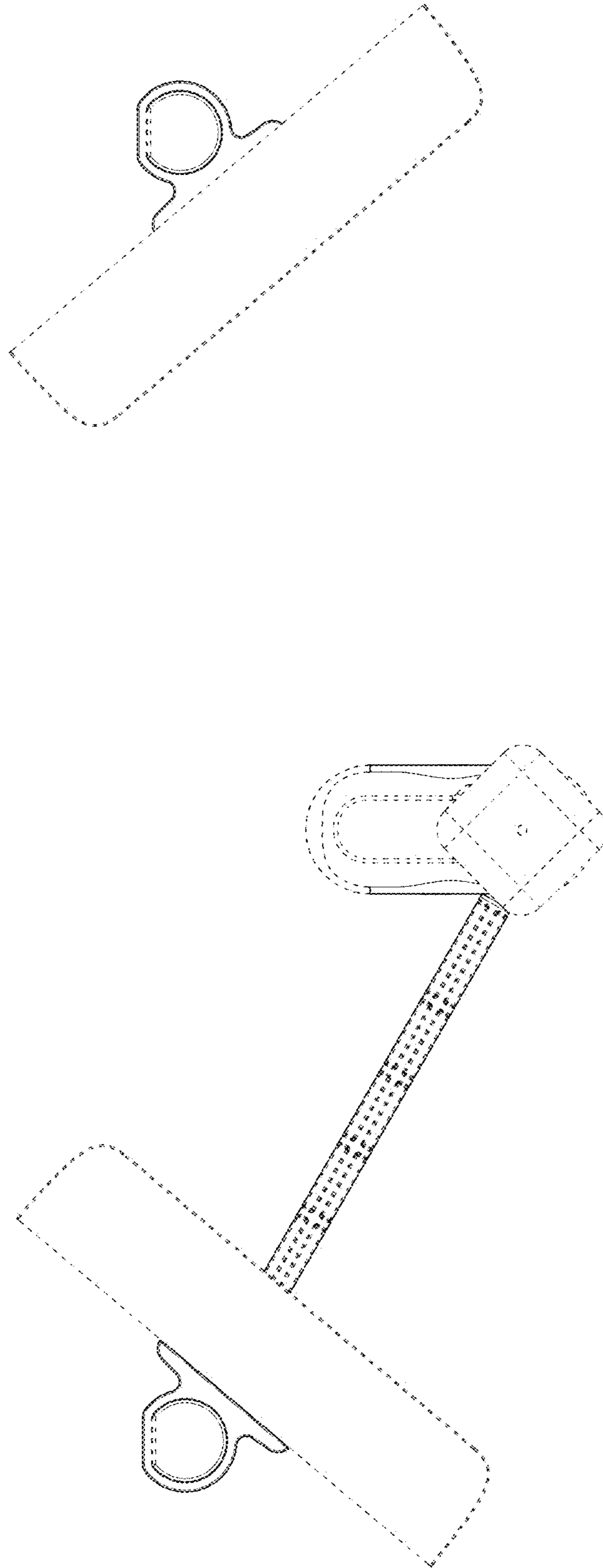


FIG. 10

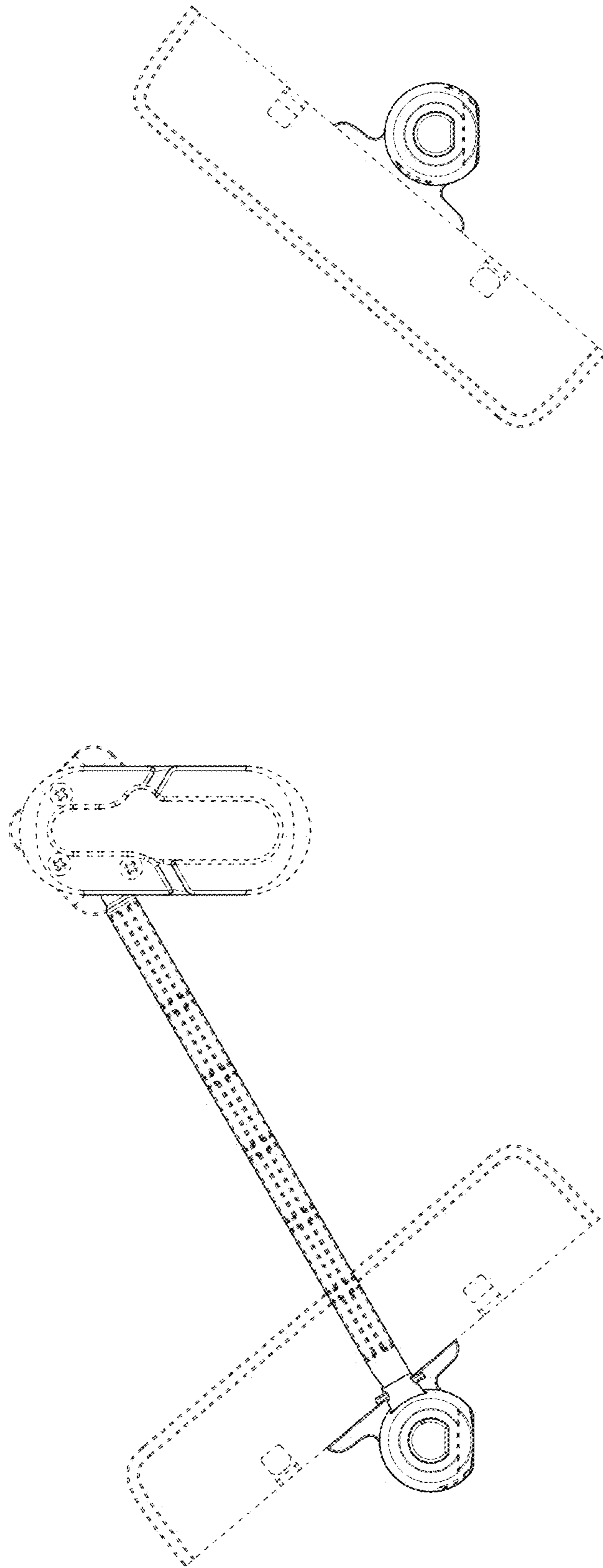


FIG. 11

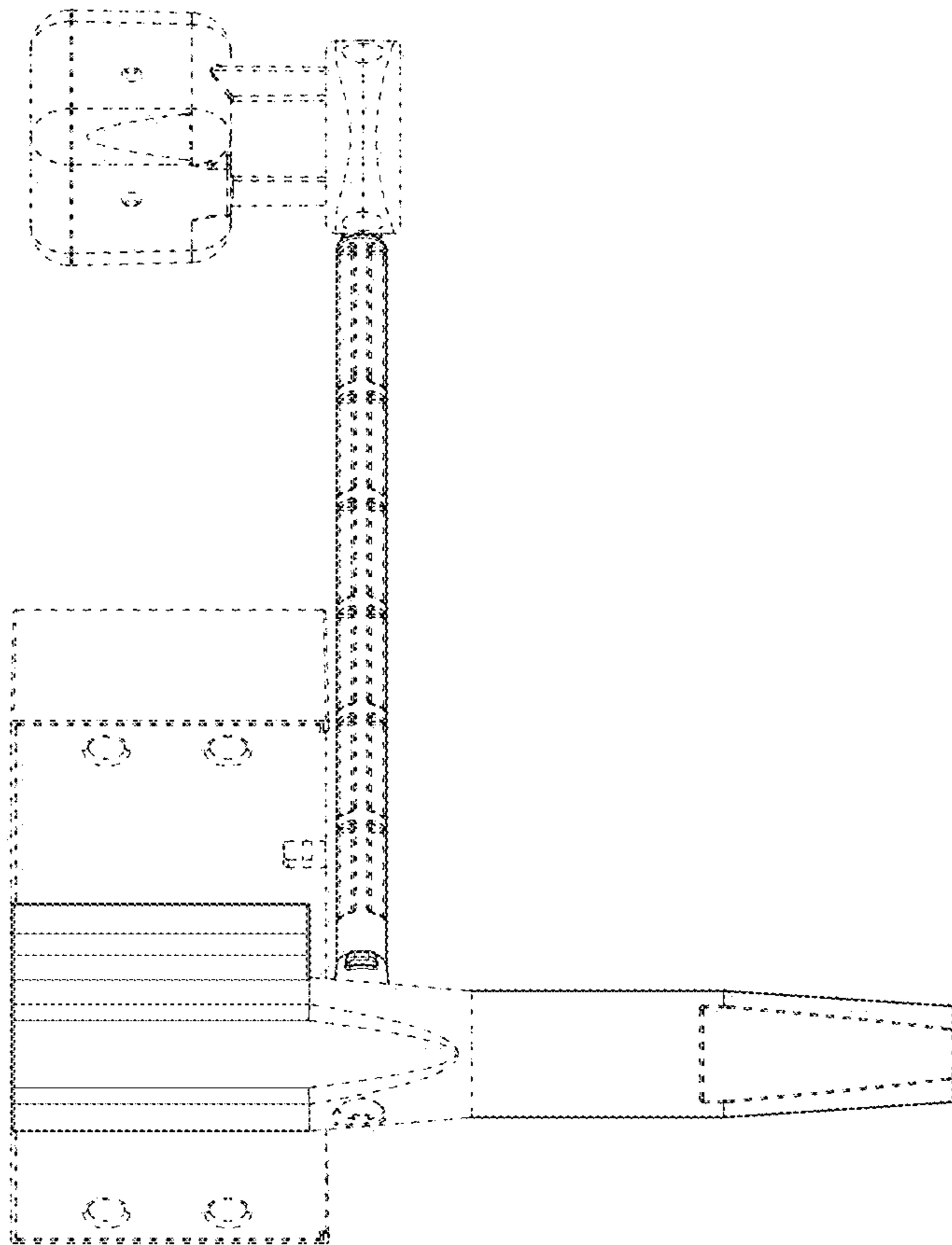
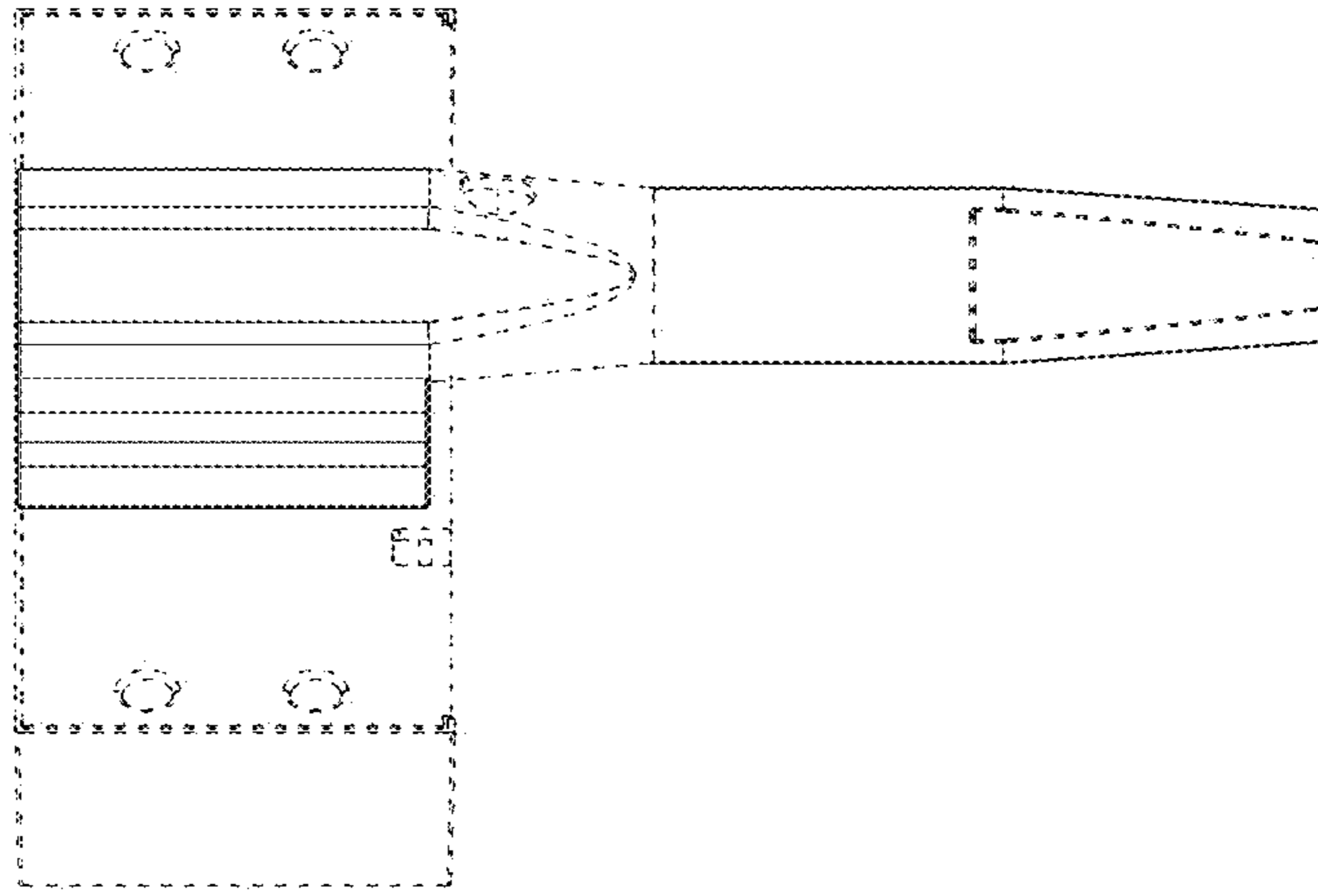


FIG. 12

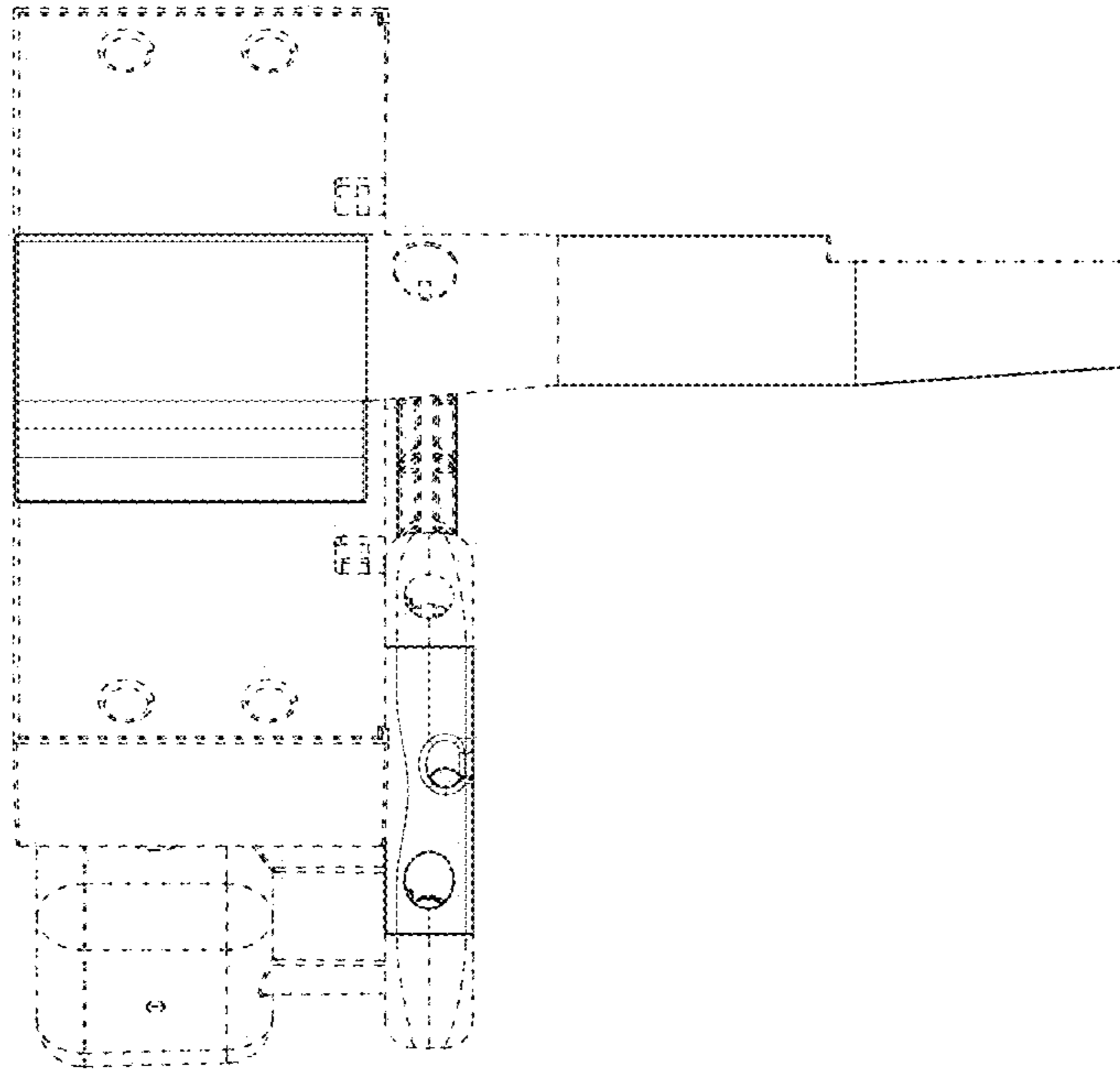


FIG. 13

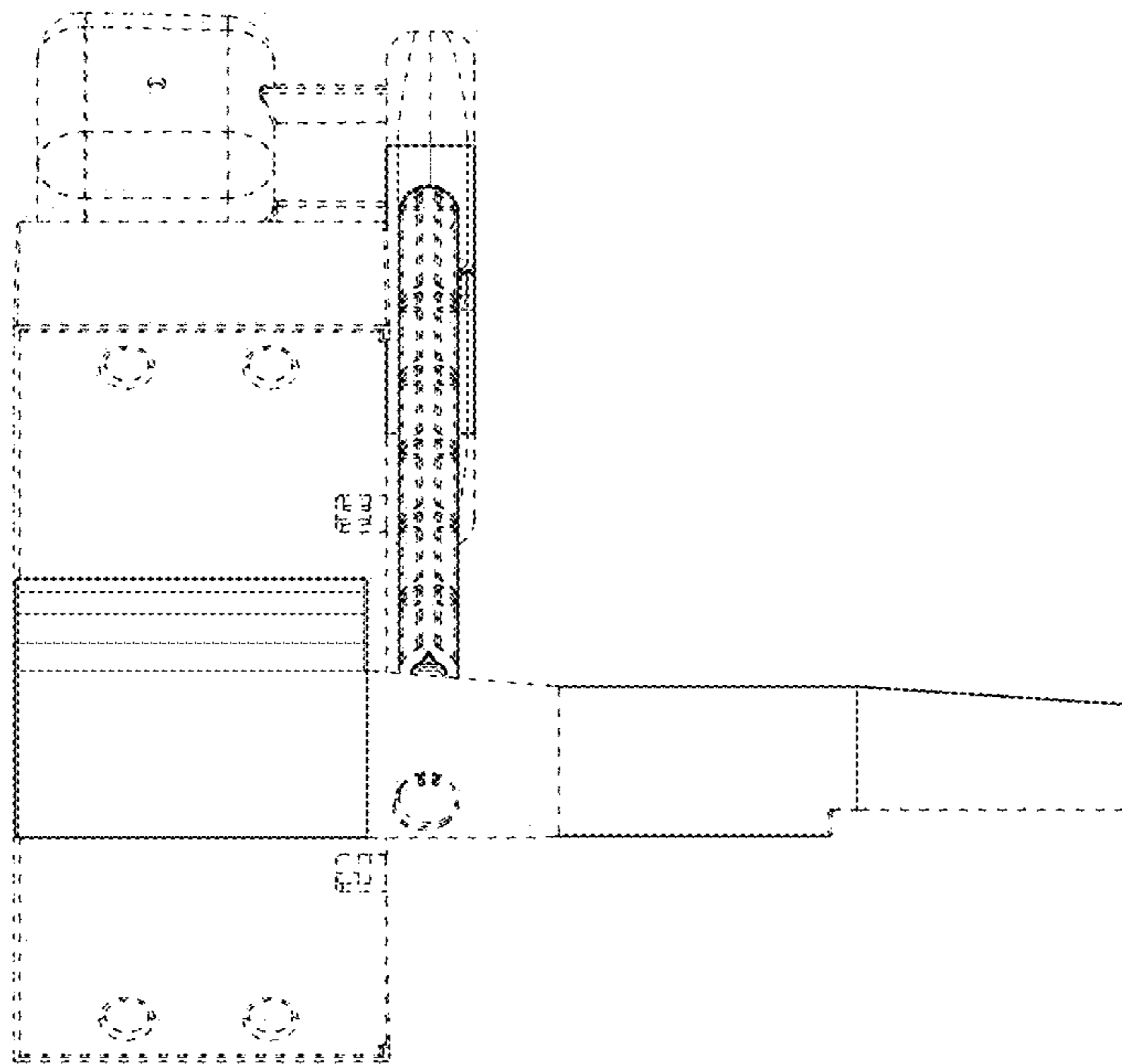


FIG. 14