



US00D961770S

(12) **United States Design Patent**  
**Obi**

(10) **Patent No.:** **US D961,770 S**

(45) **Date of Patent:** **\*\* Aug. 23, 2022**

(54) **STETHOSCOPE**

(71) Applicant: **Chukwuemeka Anderson Obi**,  
Charleston, SC (US)

(72) Inventor: **Chukwuemeka Anderson Obi**,  
Charleston, SC (US)

(73) Assignee: **Chukwuemeka Anderson Obi**,  
Charleston, SC (US)

(\*\*) Term: **15 Years**

(21) Appl. No.: **29/743,456**

(22) Filed: **Jul. 22, 2020**

(51) **LOC (13) Cl.** ..... **24-02**

(52) **U.S. Cl.**  
USPC ..... **D24/134**

(58) **Field of Classification Search**  
USPC ..... D24/133, 134, 135, 136, 140, 167, 189  
CPC .. A61B 7/02; A61B 7/04; A61B 7/003; A61B  
5/024; A61B 5/7282; A61B 5/742; A61B  
17/17; A61B 17/16; A61B 17/11; A61B  
17/00; A61B 17/1675; A61B 17/1764;  
A61B 17/1767; A61B 18/00; A61B  
19/00; A61F 2/46; A61F 2/4601; A61F  
2/4603; A61F 2/461; A61F 2/3868; A61F  
2002/4631

See application file for complete search history.

(56) **References Cited**

U.S. PATENT DOCUMENTS

2,829,727 A \* 4/1958 Russek ..... A61B 7/02  
181/137  
3,339,667 A \* 9/1967 Speelman ..... A61B 5/02233  
181/137  
4,212,368 A \* 7/1980 Allen ..... A61B 7/026  
181/131  
D256,951 S \* 9/1980 Allen ..... D13/101

D269,295 S \* 6/1983 Bloom ..... D24/134  
4,458,778 A \* 7/1984 Bloom ..... A61B 7/02  
181/131  
D277,890 S \* 3/1985 Loughridge ..... D24/134  
4,783,813 A \* 11/1988 Kempka ..... A61B 7/04  
381/67  
5,025,809 A \* 6/1991 Johnson ..... A61B 7/04  
600/528  
D323,033 S \* 1/1992 Allen ..... D24/134  
D323,394 S \* 1/1992 Casto ..... D24/134  
5,189,264 A \* 2/1993 Peart ..... A61B 7/02  
181/131  
D337,381 S \* 7/1993 Dufresne ..... D24/134  
D338,269 S \* 8/1993 Dufresne ..... D24/134  
5,367,575 A \* 11/1994 Dieken ..... A61B 7/045  
381/67  
D361,840 S \* 8/1995 Savage ..... D24/134  
D362,063 S \* 9/1995 Savage ..... D24/134

(Continued)

*Primary Examiner* — T Chase Nelson

*Assistant Examiner* — Kelly L Gross

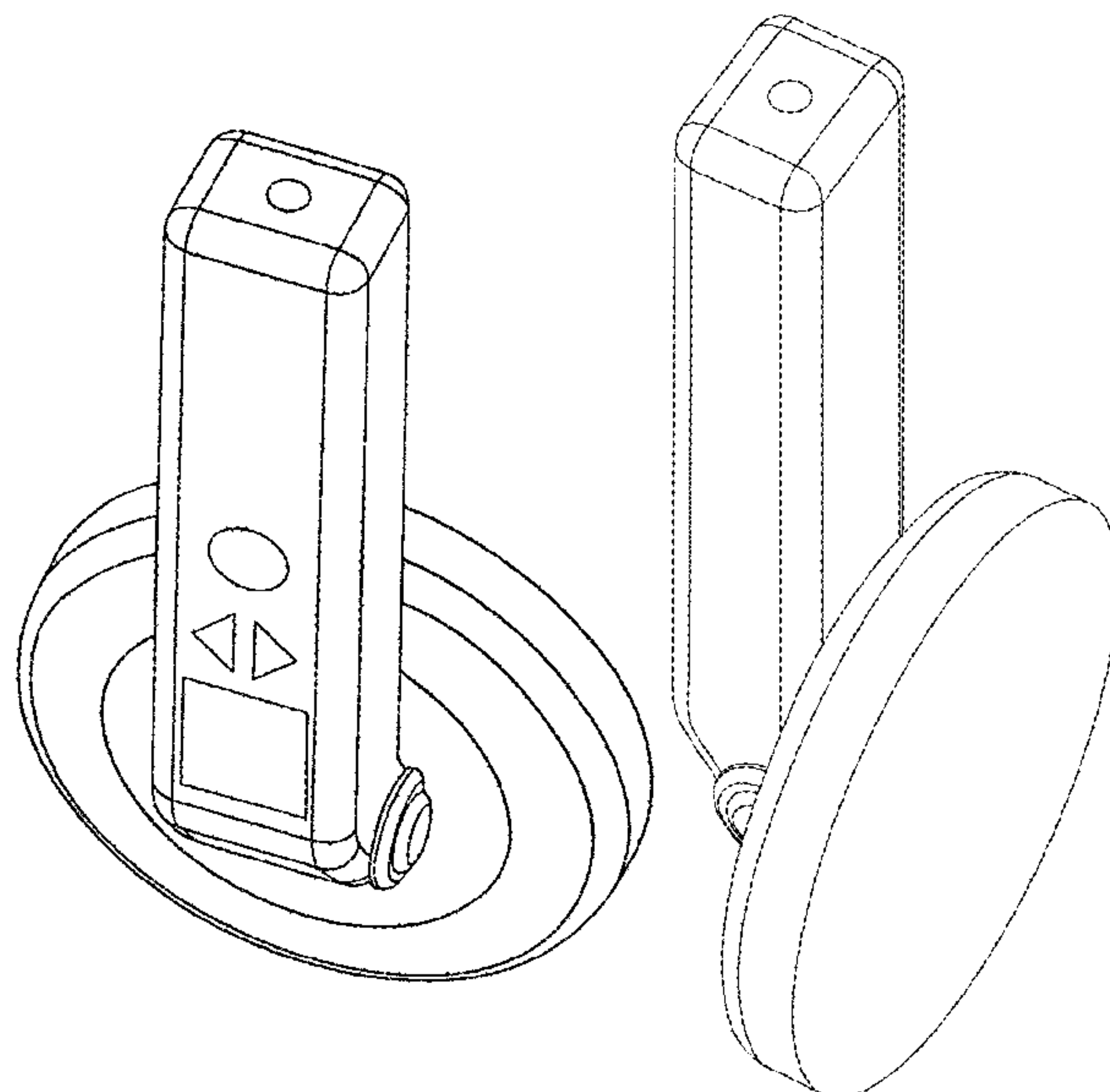
(57) **CLAIM**

The ornamental design for a stethoscope, as shown and described.

**DESCRIPTION**

FIG. 1 is a top, front, perspective view of the stethoscope thereof;  
FIG. 2 is a top, right-side, perspective view of the stethoscope thereof;  
FIG. 3 is a top, back, perspective view of the stethoscope thereof;  
FIG. 4 is a top, left-side, perspective view of the stethoscope thereof;  
FIG. 5 is a back, left-side, perspective view of the stethoscope thereof;  
FIG. 6 is a front, left-side, perspective view of the stethoscope thereof; and,  
FIG. 7 is a back perspective view of the stethoscope.

**1 Claim, 7 Drawing Sheets**



(56)

References Cited

U.S. PATENT DOCUMENTS

5,498,841	A *	3/1996	Allen	.....	A61B 7/02	181/131
5,514,840	A *	5/1996	Selinger	.....	A61B 7/026	181/131
D373,824	S *	9/1996	Packard	.....	D24/134	
5,561,275	A *	10/1996	Savage	.....	A61B 7/04	181/131
5,623,131	A *	4/1997	Earnest	.....	A61B 7/02	181/131
D379,512	S *	5/1997	Dieken	.....	D24/134	
5,686,706	A *	11/1997	Wurzburger	.....	A61B 7/026	181/131
D387,160	S *	12/1997	Moore	.....	D24/134	
D389,575	S *	1/1998	Grasfield	.....	D24/134	
5,737,429	A *	4/1998	Lee	.....	A61B 7/04	381/67
D398,056	S *	9/1998	Rashman	.....	D24/134	
D403,065	S *	12/1998	Dieken	.....	D24/134	
D410,285	S *	5/1999	Packard	.....	D24/134	
5,909,495	A *	6/1999	Andrea	.....	A61B 7/04	381/67
D432,237	S *	10/2000	Shick	.....	D24/134	
D432,238	S *	10/2000	Packard	.....	D24/134	
6,202,784	B1 *	3/2001	Alatriste	.....	A61B 1/227	181/131
D445,184	S *	7/2001	Meyer	.....	D24/134	
D452,736	S *	1/2002	Werblud	.....	D24/134	
D463,551	S *	9/2002	Werblud	.....	D24/134	
D466,998	S *	12/2002	Werblud	.....	D24/134	
6,523,639	B1 *	2/2003	Shieh	.....	A61B 7/02	181/131
D477,405	S *	7/2003	Sommerfeld	.....	D24/134	
D477,874	S *	7/2003	Sommerfeld	.....	D24/134	
D485,357	S *	1/2004	Kapinos, Sr.	.....	D24/134	
D487,928	S *	3/2004	Drummond	.....	D24/134	
6,966,400	B1 *	11/2005	Rollins	.....	A61B 7/02	181/131
D527,819	S *	9/2006	Poulsen	.....	D24/134	
D536,448	S *	2/2007	Jackson	.....	D24/134	
D564,368	S *	3/2008	Molyneux	.....	D10/31	
D583,940	S *	12/2008	Wong	.....	D24/134	
D589,144	S *	3/2009	Bagha	.....	D24/134	
D618,794	S *	6/2010	Onuma	.....	D24/137	
D621,504	S *	8/2010	Martinez	.....	D24/134	
D625,804	S *	10/2010	Stemberger	.....	D24/134	
D635,667	S *	4/2011	Soerensen	.....	D24/134	
D639,426	S *	6/2011	Boyd	.....	D24/134	
D674,486	S *	1/2013	Onuma	.....	D24/137	
D675,738	S *	2/2013	Baumer	.....	D24/168	
D711,532	S *	8/2014	Habboushe	.....	D24/134	
D718,868	S *	12/2014	Schroderus	.....	D24/167	
D740,415	S *	10/2015	Johnson	.....	D24/134	
D750,241	S *	2/2016	Shan	.....	D24/134	
D752,216	S *	3/2016	Chong	.....	D24/134	
D756,514	S *	5/2016	Ohwa	.....	D24/134	
D757,936	S *	5/2016	Angel	.....	D24/134	
9,404,829	B1 *	8/2016	Tien	.....	G01M 3/243	
9,414,803	B1 *	8/2016	Naqvi	.....	A61B 7/04	
D787,684	S *	5/2017	Vezina	.....	D24/187	
D791,942	S *	7/2017	Hussain	.....	D24/134	
9,739,466	B1 *	8/2017	Muiruri	.....	A61B 7/00	
D800,313	S *	10/2017	Chang	.....	D24/167	
D804,674	S *	12/2017	Im	.....	D24/186	
D816,229	S *	4/2018	Frick	.....	D24/169	
D820,981	S *	6/2018	Johnson	.....	D24/134	
D821,576	S *	6/2018	Alatriste	.....	D24/134	
D837,979	S *	1/2019	Shan	.....	D24/134	
D838,370	S *	1/2019	Bardy	.....	D24/167	
D840,028	S *	2/2019	Shan	.....	D24/134	
D844,134	S *	3/2019	Bello	.....	A61B 7/04	D24/134
D847,986	S *	5/2019	Shan	.....	D24/134	
10,307,132	B2 *	6/2019	Chung	.....	A61L 2/10	
D858,759	S *	9/2019	Bedingham	.....	D24/134	
D858,760	S *	9/2019	Molinaro	.....	D24/134	
D865,167	S *	10/2019	Kirgizov	.....	D24/134	
D866,758	S *	11/2019	Chen	.....	D24/134	
D875,927	S *	2/2020	Ohashi	.....	D24/134	
10,631,824	B2 *	4/2020	Liu	.....	A61B 8/4281	
D895,925	S *	9/2020	Wieser	.....	D99/5	
D911,520	S *	2/2021	Lin	.....	D24/134	
D924,391	S *	7/2021	Levy	.....	D24/113	
D924,392	S *	7/2021	Concu	.....	D24/113	
D928,976	S *	8/2021	Dijkstra	.....	D24/209	
D932,619	S *	10/2021	Gull	.....	D24/134	
D936,205	S *	11/2021	Casiello	.....	D24/108	
D941,468	S *	1/2022	Freschl	.....	D24/134	
D943,742	S *	2/2022	Norenstam	.....	D24/140	
D944,979	S *	3/2022	Richards	.....	D24/134	
D945,611	S *	3/2022	Ogino	.....	D24/133	
D946,185	S *	3/2022	Zhong	.....	D26/37	
2003/0201138	A1 *	10/2003	Drummond	.....	A61B 7/02	181/131
2004/0114767	A1 *	6/2004	Tseng	.....	A61B 7/02	381/67
2007/0058818	A1 *	3/2007	Yoshimine	.....	A61B 7/04	381/67
2008/0137876	A1 *	6/2008	Kassal	.....	A61B 7/04	381/67
2008/0232605	A1 *	9/2008	Bagha	.....	A61B 7/04	381/67
2012/0190303	A1 *	7/2012	Wong	.....	A61B 7/02	455/41.2
2012/0310115	A1 *	12/2012	Bedingham	.....	A61B 5/002	600/586
2014/0005574	A1 *	1/2014	Ting	.....	A61B 7/02	600/586
2014/0107515	A1 *	4/2014	Lee	.....	A61B 7/008	600/528
2014/0153730	A1 *	6/2014	Habboushe	.....	H04R 1/46	381/67
2016/0095571	A1 *	4/2016	Shams	.....	A61B 8/0866	600/586
2018/0344282	A1 *	12/2018	Lin	.....	A61B 7/02	
2019/0133548	A1 *	5/2019	Cai	.....	A61B 8/565	
2019/0150880	A1 *	5/2019	Campbell	.....	A61B 7/02	
2020/0098345	A1 *	3/2020	Loriaux	.....	A61B 7/02	
2020/0155112	A1 *	5/2020	Gross	.....	A61B 50/31	

\* cited by examiner

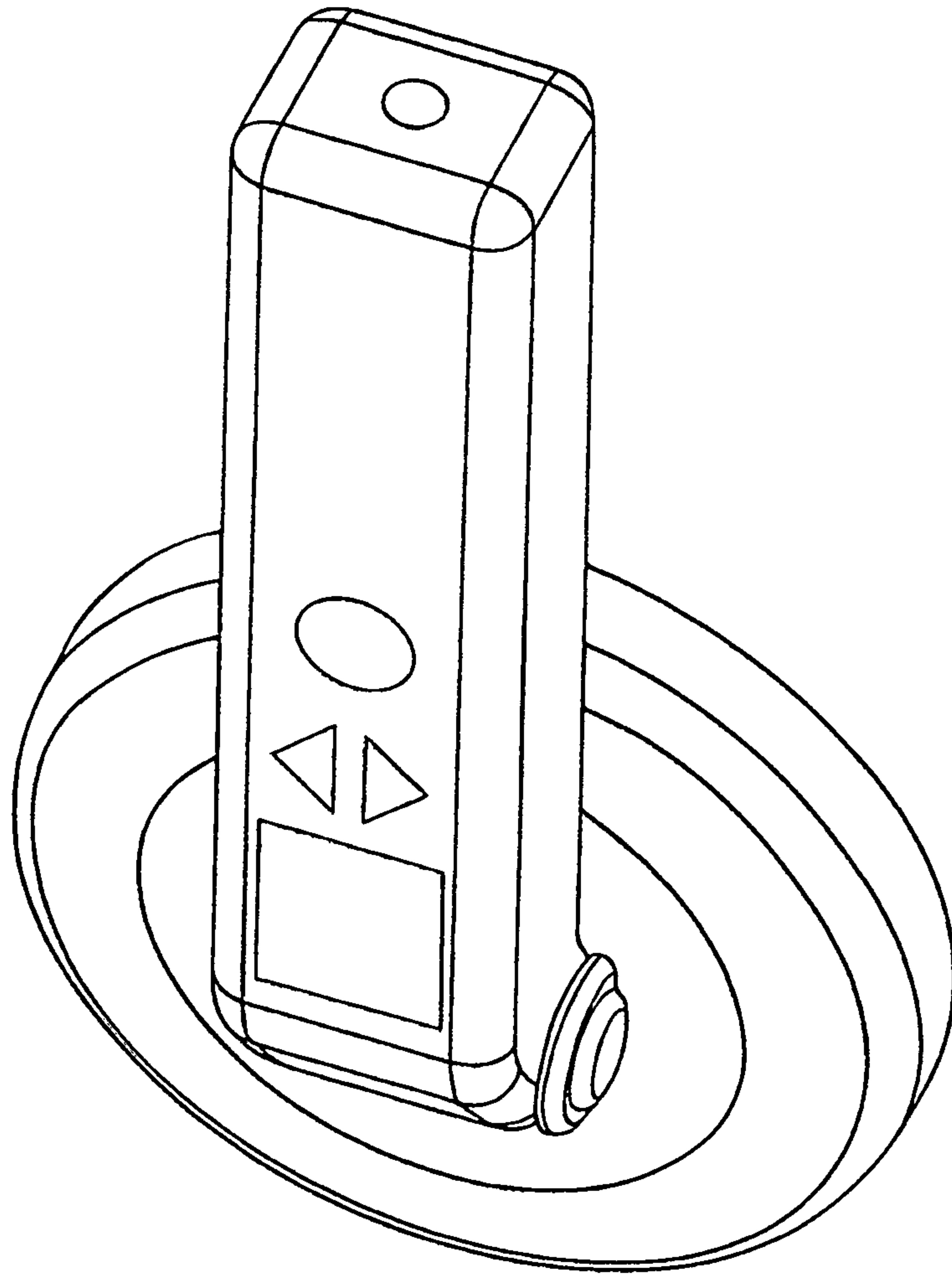


FIG. 1



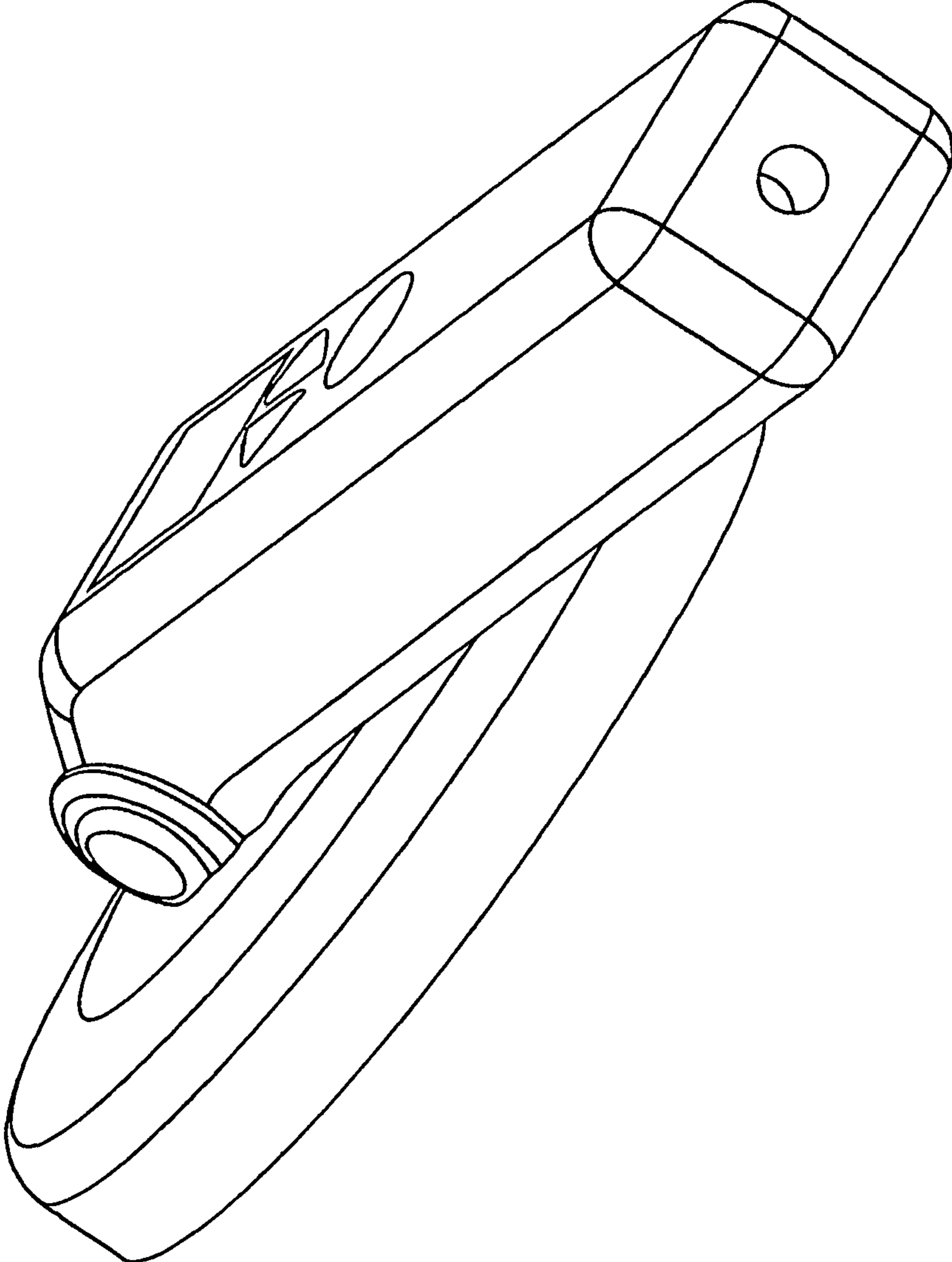


FIG. 2

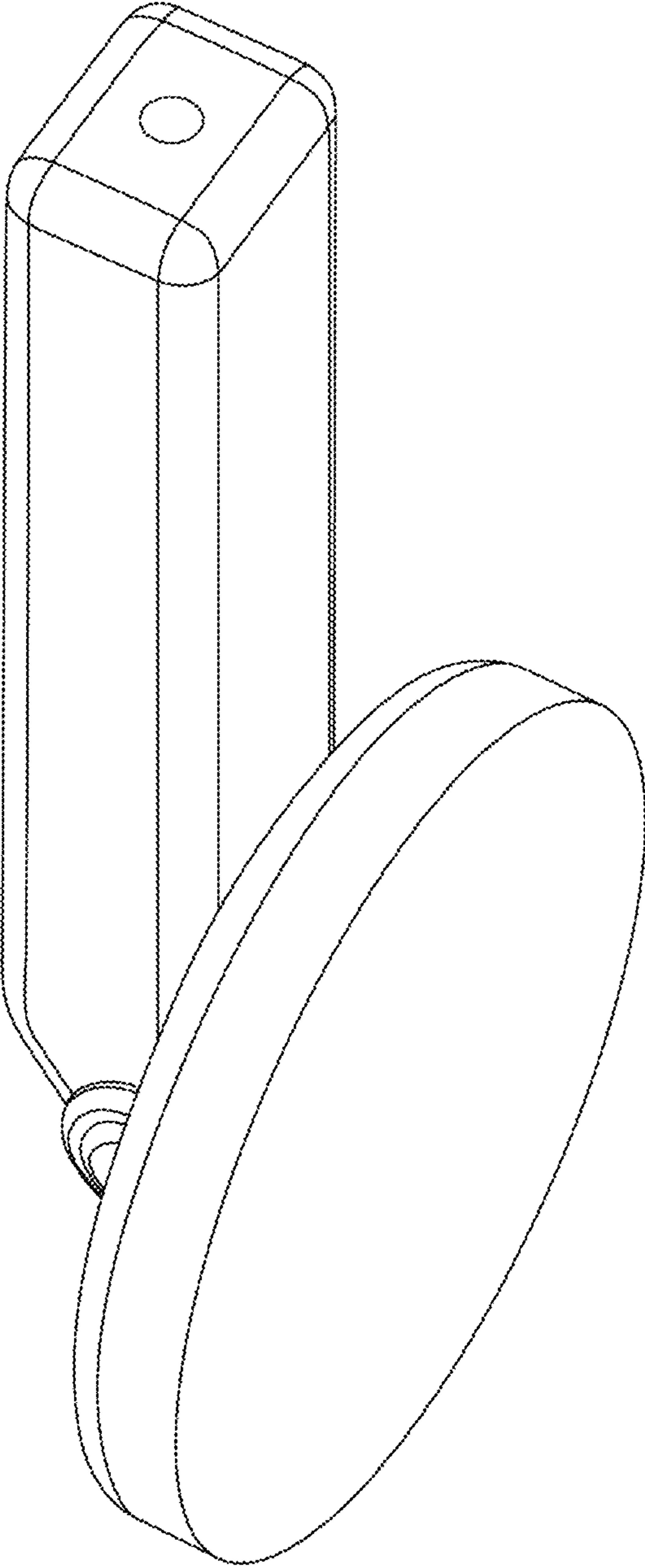


FIG. 3

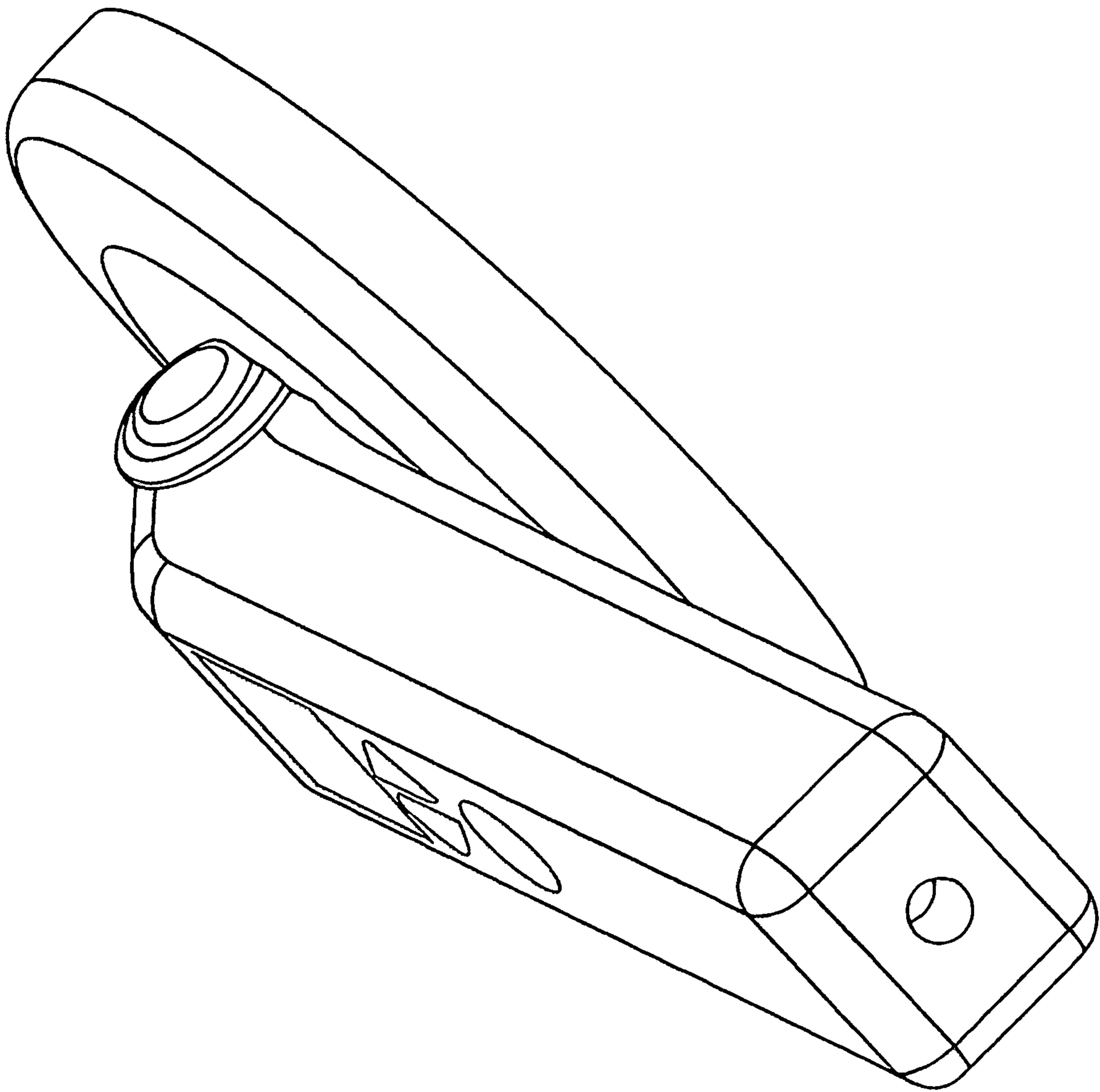


FIG. 4

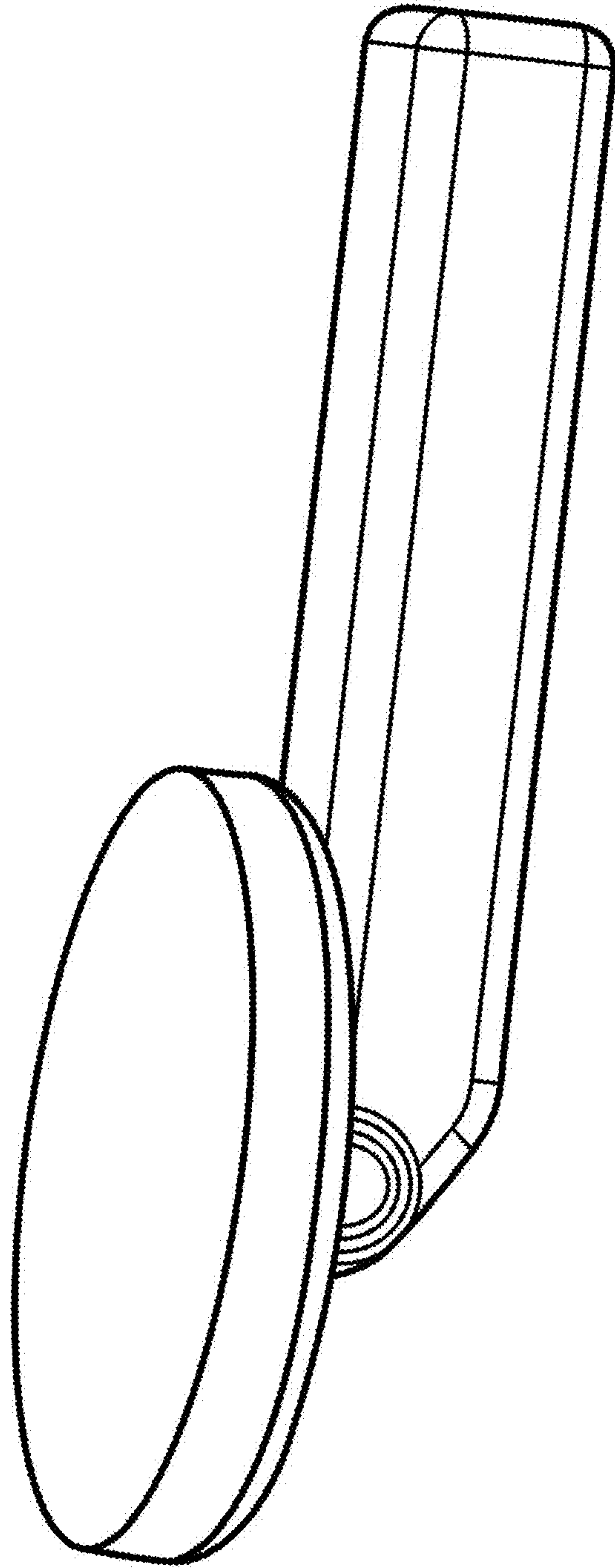


FIG. 5

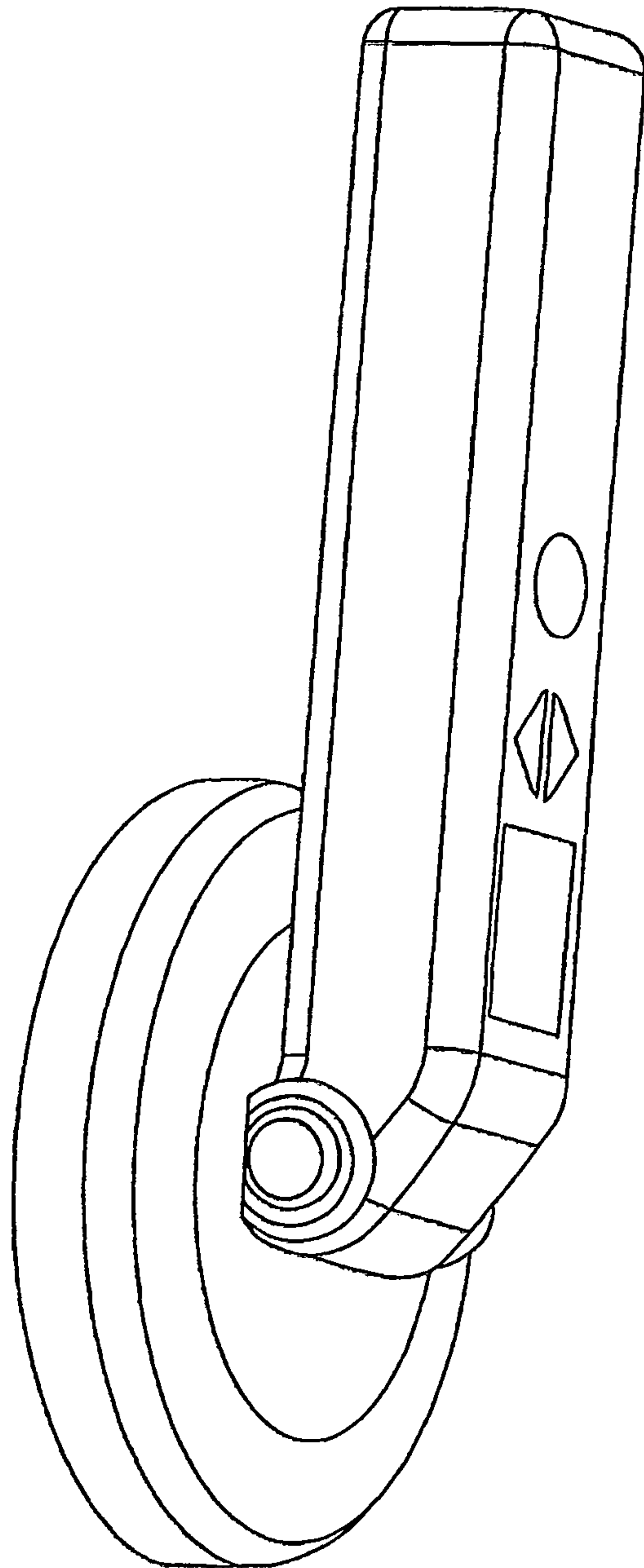


FIG. 6



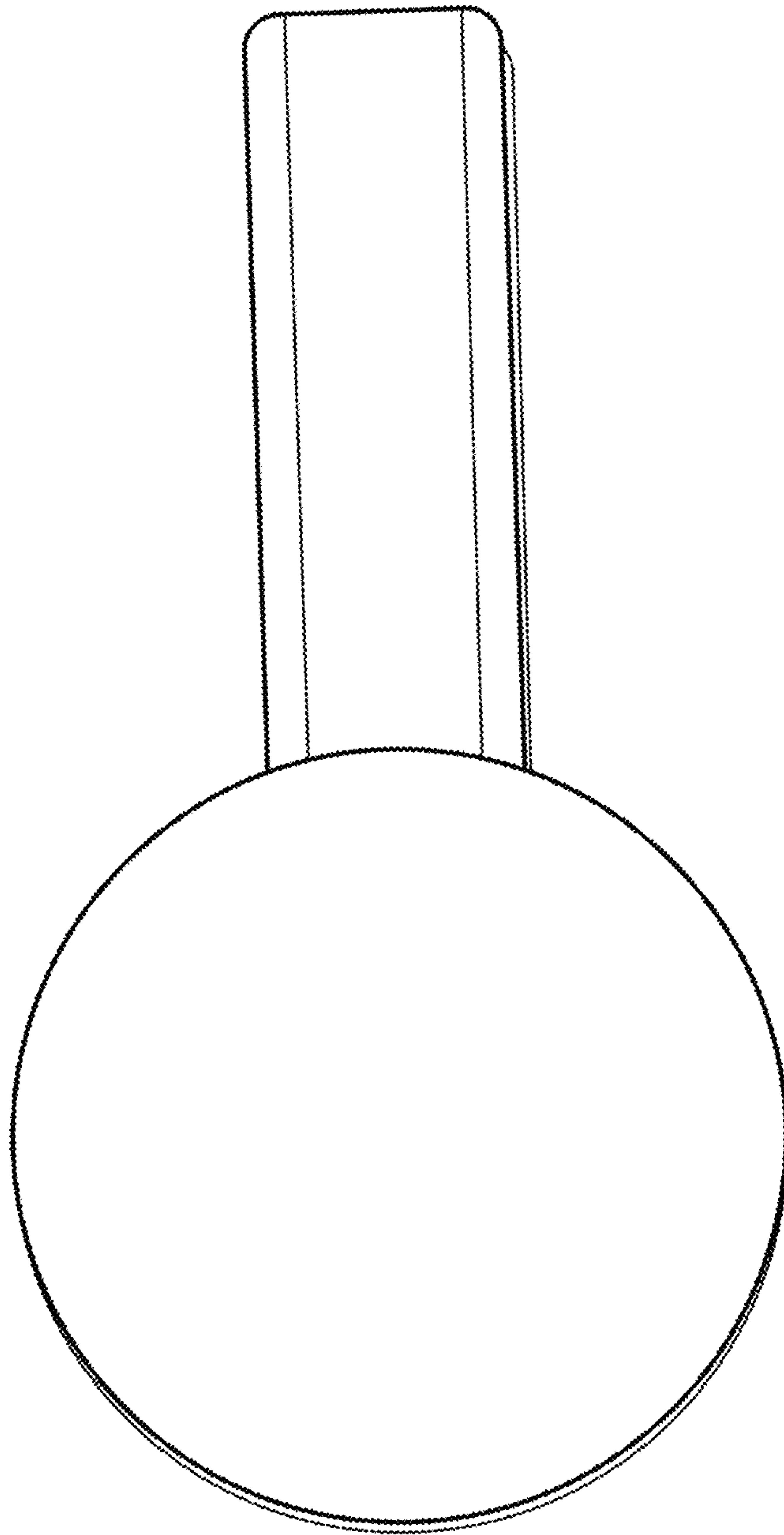


FIG. 7