



US00D961769S

(12) **United States Design Patent**
Chiga et al.

(10) **Patent No.:** **US D961,769 S**
(45) **Date of Patent:** **** Aug. 23, 2022**

(54) **FLUID CONNECTOR**

(71) Applicant: **KPR U.S., LLC**, Mansfield, MA (US)

(72) Inventors: **Bradley Chiga**, Brookline, MA (US);
Vinit Patel, Milford, MA (US); **Phillip Shaltis**, Sharon, MA (US)

(73) Assignee: **KPR U.S., LLC**, Mansfield, MA (US)

(**) Term: **15 Years**

(21) Appl. No.: **29/735,672**

(22) Filed: **May 22, 2020**

(51) **LOC (13) Cl.** **24-02**

(52) **U.S. Cl.**
USPC **D24/129**

(58) **Field of Classification Search**
USPC D24/112, 114, 129, 130, 224; D3/315;
D23/259, 260, 262, 265; D27/162, 167,
D27/194; 128/DIG. 10, 202.27, 205.24;
285/21.2
CPC F16L 2201/10; A61M 39/10; A61M
39/1011; A61M 2039/1077; A61J 1/1487;
A61F 5/4405

See application file for complete search history.

(56) **References Cited**

U.S. PATENT DOCUMENTS

D276,464 S *	11/1984	Weigl	D24/129
D350,398 S *	9/1994	Campbell	D24/217
D352,770 S *	11/1994	Lopez	D23/259
D364,459 S *	11/1995	Dye	D24/129
D364,680 S *	11/1995	Dye	D24/129
D373,192 S *	8/1996	Murphy	D13/147
6,516,800 B1 *	2/2003	Bowden	A61M 16/0841 128/204.18
D493,526 S *	7/2004	Hwang	A61M 5/3134 D24/130
D595,845 S *	7/2009	Mros	D24/129

D595,846 S *	7/2009	Racz	D24/129
D601,248 S *	9/2009	Mros	D24/129
D602,740 S *	10/2009	Urquiola	D7/509
D619,706 S *	7/2010	Schon	D24/129
D699,840 S *	2/2014	Lombardi, III	A61M 5/3134 D24/129
D699,841 S *	2/2014	Lombardi, III	D24/129
D713,524 S *	9/2014	Aguirre	D24/129
9,161,877 B2 *	10/2015	Mros	F16L 37/56
D754,917 S *	4/2016	Salem	D27/163
D762,826 S *	8/2016	Plackner	D23/262
D849,996 S *	5/2019	Duque	D27/194

(Continued)

FOREIGN PATENT DOCUMENTS

GB	6177539	* 11/2021
KR	3011417650002	* 12/2021

(Continued)

Primary Examiner — Jonathan J Han

Assistant Examiner — Amanda J Berlinski

(74) *Attorney, Agent, or Firm* — ArentFox Schiff LLP

(57) **CLAIM**

The ornamental design for a fluid connector, as shown and described.

DESCRIPTION

FIG. 1 is a front left perspective view of a fluid connector showing our new design;

FIG. 2 is a rear view of the design shown in FIG. 1;

FIG. 3 is a front view of the design shown in FIG. 1;

FIG. 4 is a right side view of the design shown in FIG. 1;

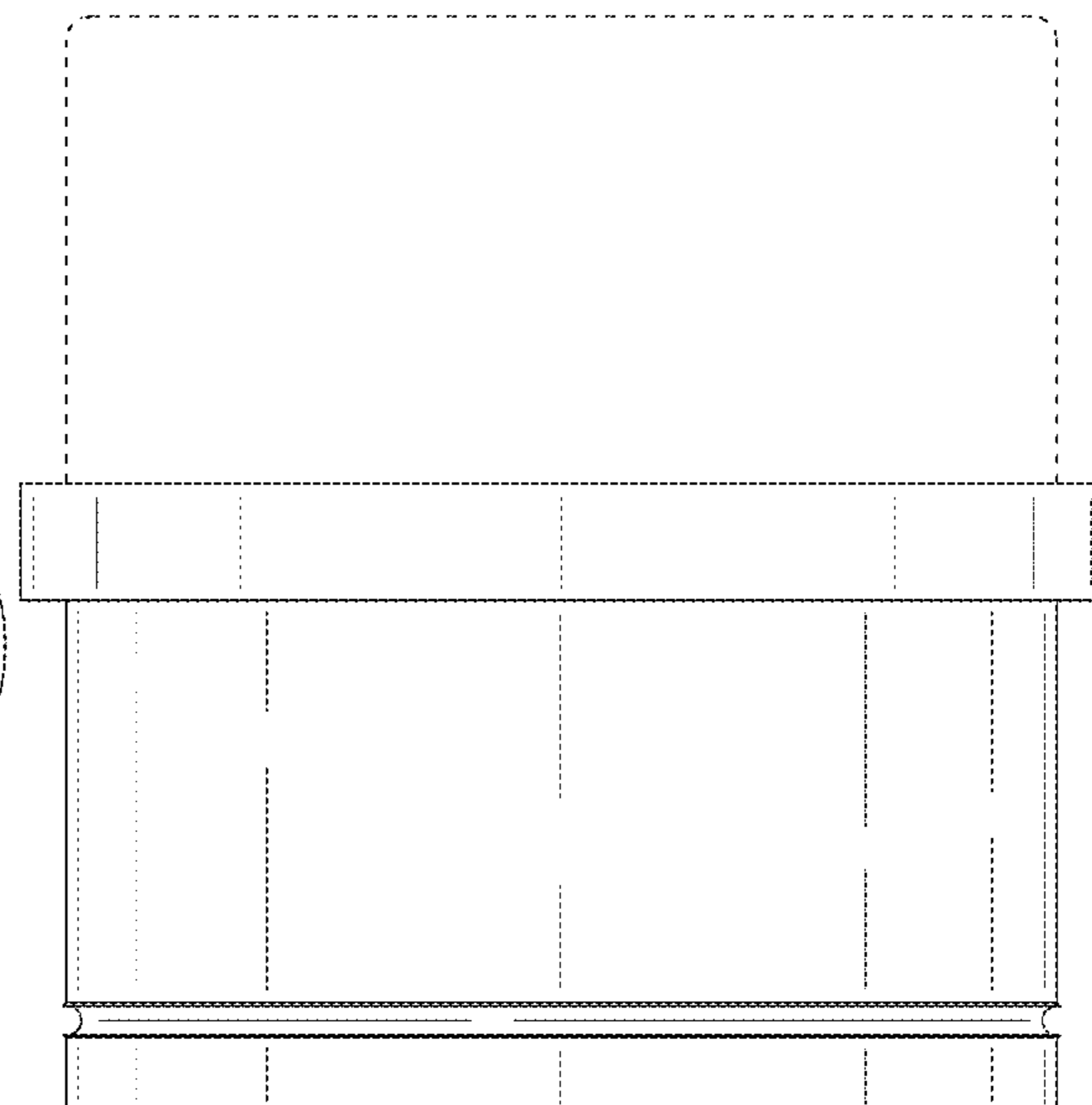
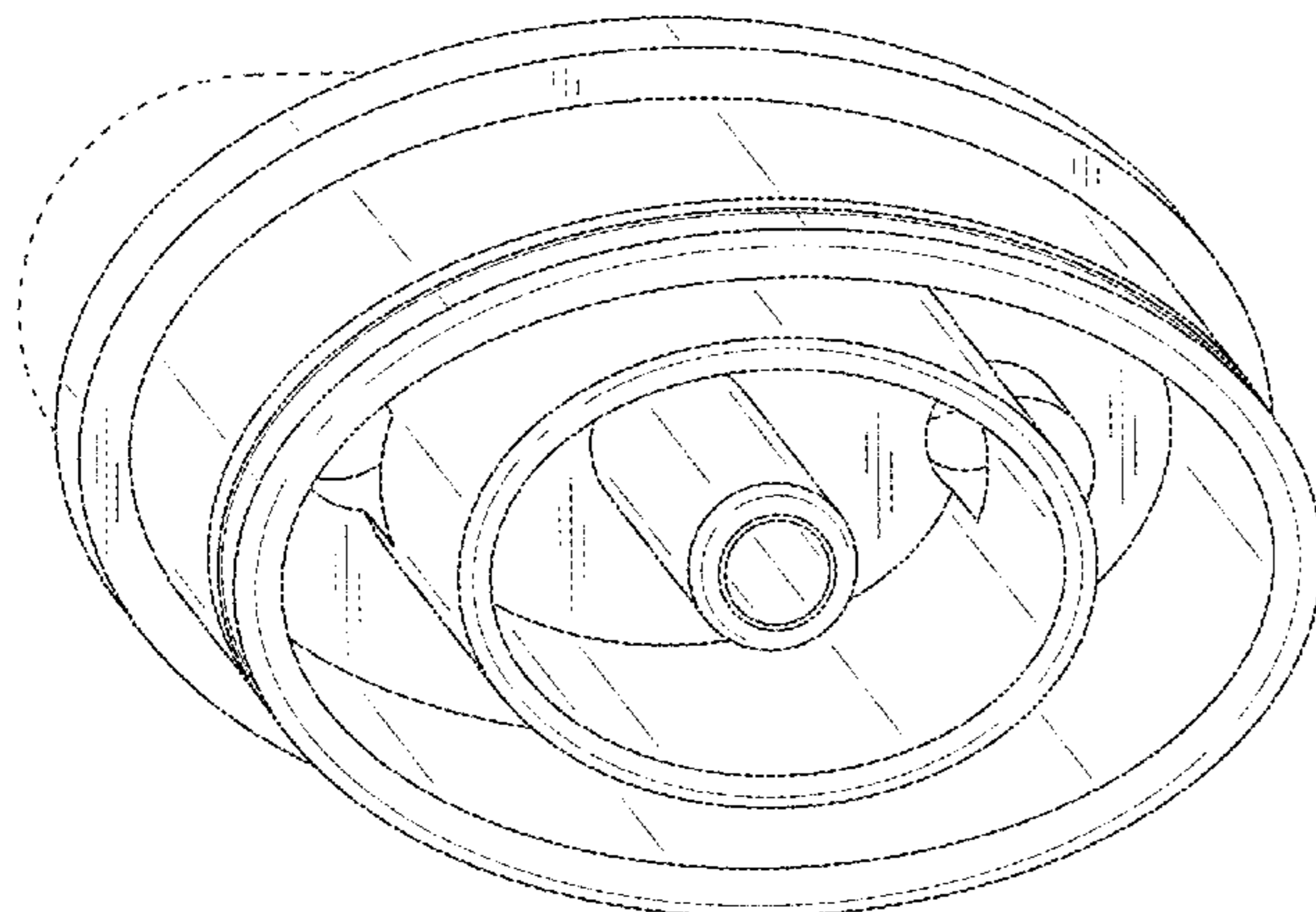
FIG. 5 is a left side view of the design shown in FIG. 1;

FIG. 6 is a bottom view of the design shown in FIG. 1; and,

FIG. 7 is a top view of the design shown in Figure.

The broken lines shown in the figures are included for the purpose of illustrating portions of the fluid connector that form no part of the claimed design.

1 Claim, 7 Drawing Sheets



(56)

References Cited

U.S. PATENT DOCUMENTS

D865,993 S * 11/2019 Trump D24/224
D867,587 S * 11/2019 Holtz D24/129
D877,977 S * 3/2020 Ding D27/162
D880,054 S * 3/2020 Barbaric D27/162
D887,632 S * 6/2020 Duque D27/167
D901,675 S * 11/2020 Ross D24/111
D908,279 S * 1/2021 Li D27/162
D908,280 S * 1/2021 Aller D27/162
D923,864 S * 6/2021 Carlberg D27/162
D929,606 S * 8/2021 Forman D24/224
D930,237 S * 9/2021 Fornarelli D24/129
D932,614 S * 10/2021 Frondelius D24/129
D943,819 S * 2/2022 Pinto D27/162
2011/0245796 A1* 10/2011 Brandenburger A61J 1/1418
604/414
2020/0030592 A1* 1/2020 Cheche A61M 39/1011
2020/0197685 A1* 6/2020 Steele A61M 39/1011

FOREIGN PATENT DOCUMENTS

KR 3011417660001 * 12/2021
KR 3011417660003 * 12/2021
KR 3011417660005 * 12/2021
KR 3011417660006 * 12/2021
KR 3011417660008 * 12/2021

* cited by examiner

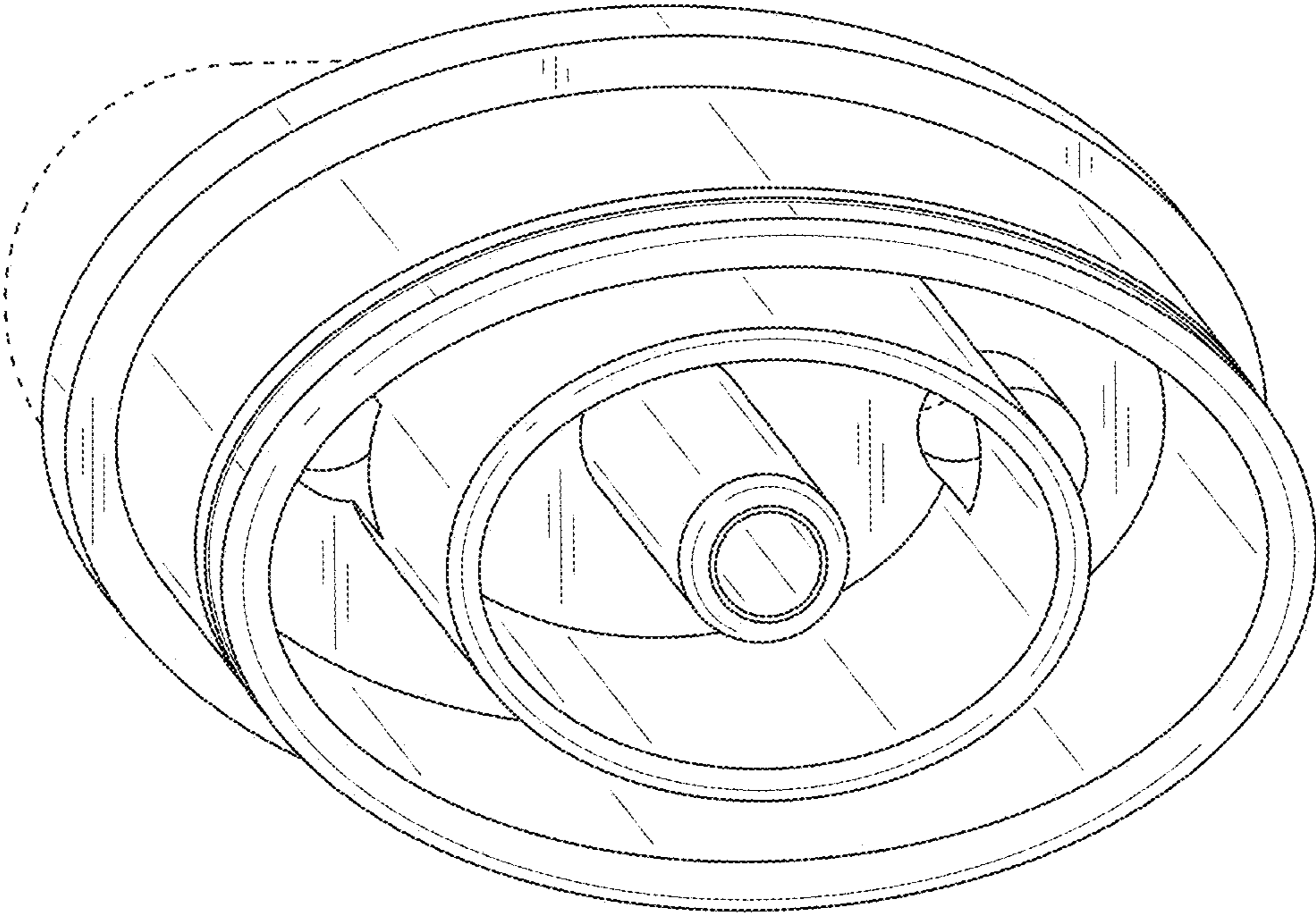


FIG. 1

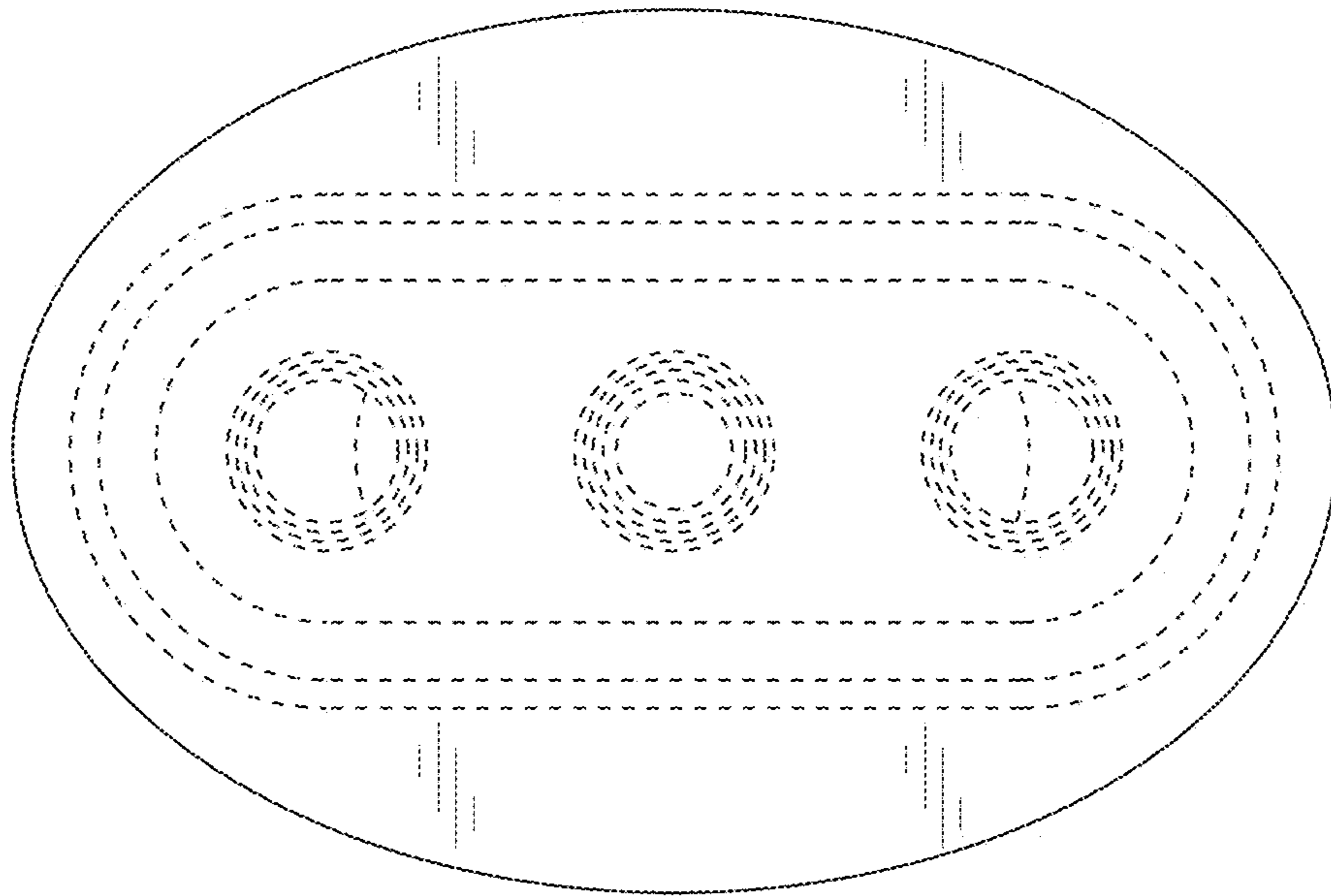


FIG. 2

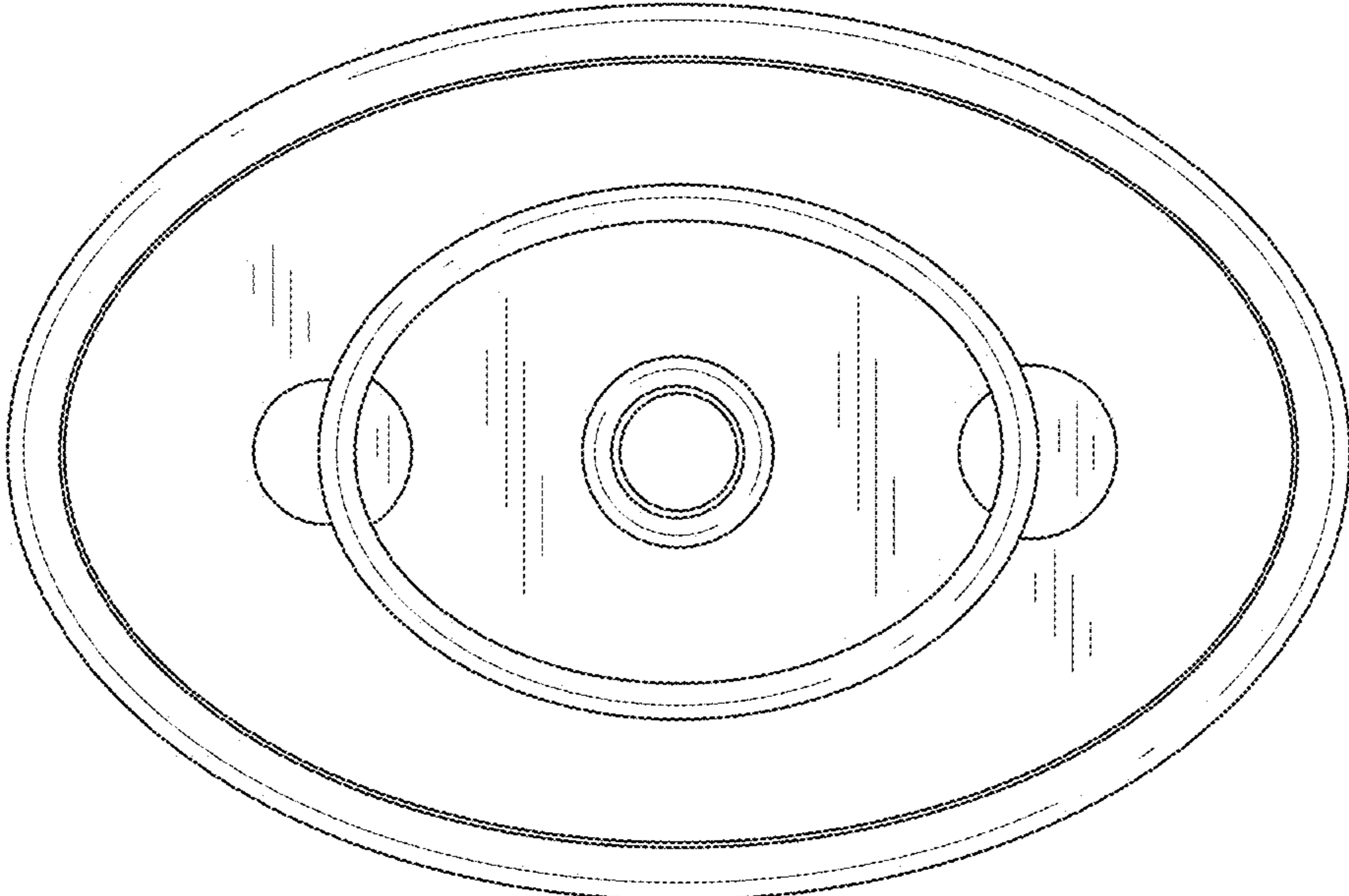


FIG. 3

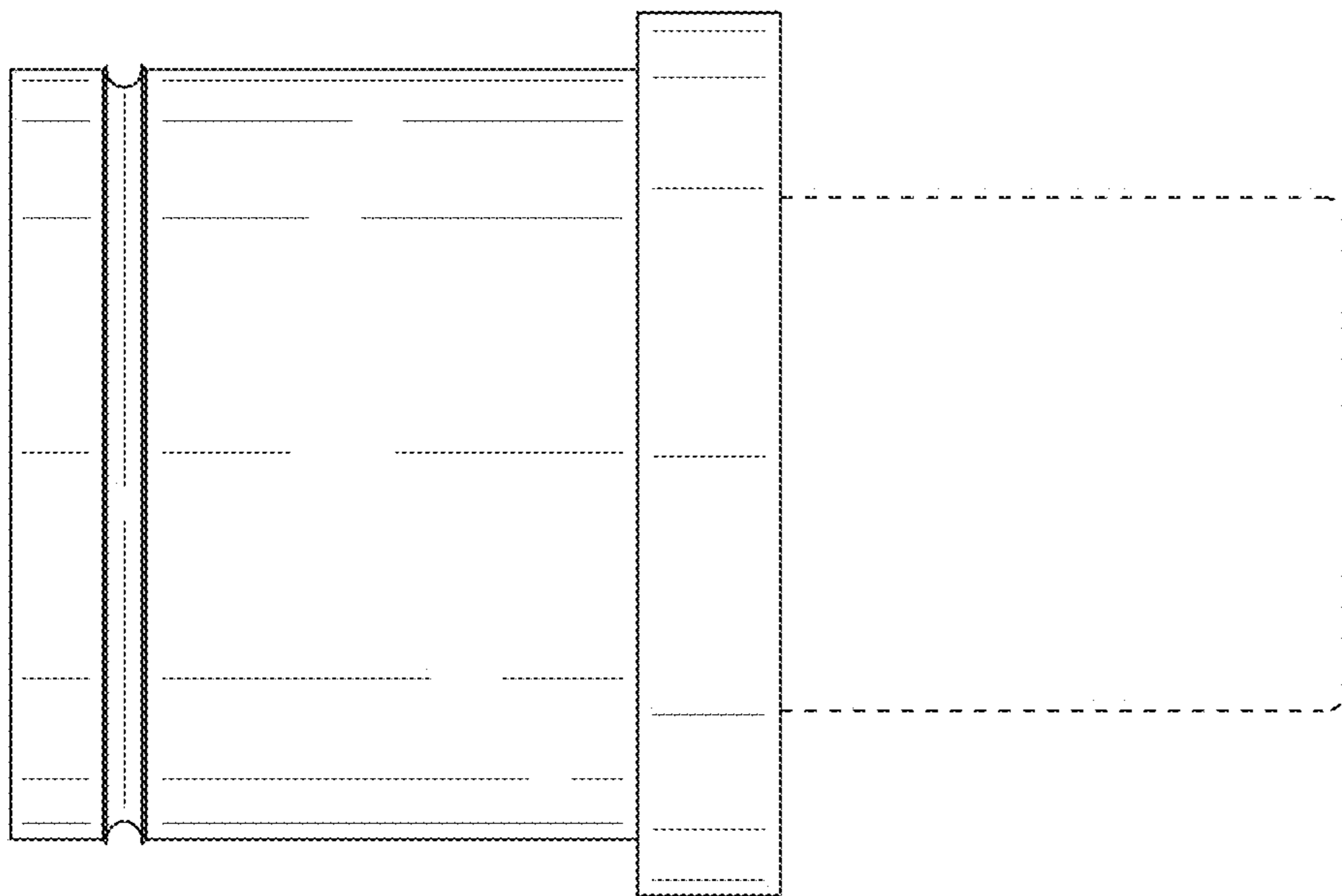


FIG. 4

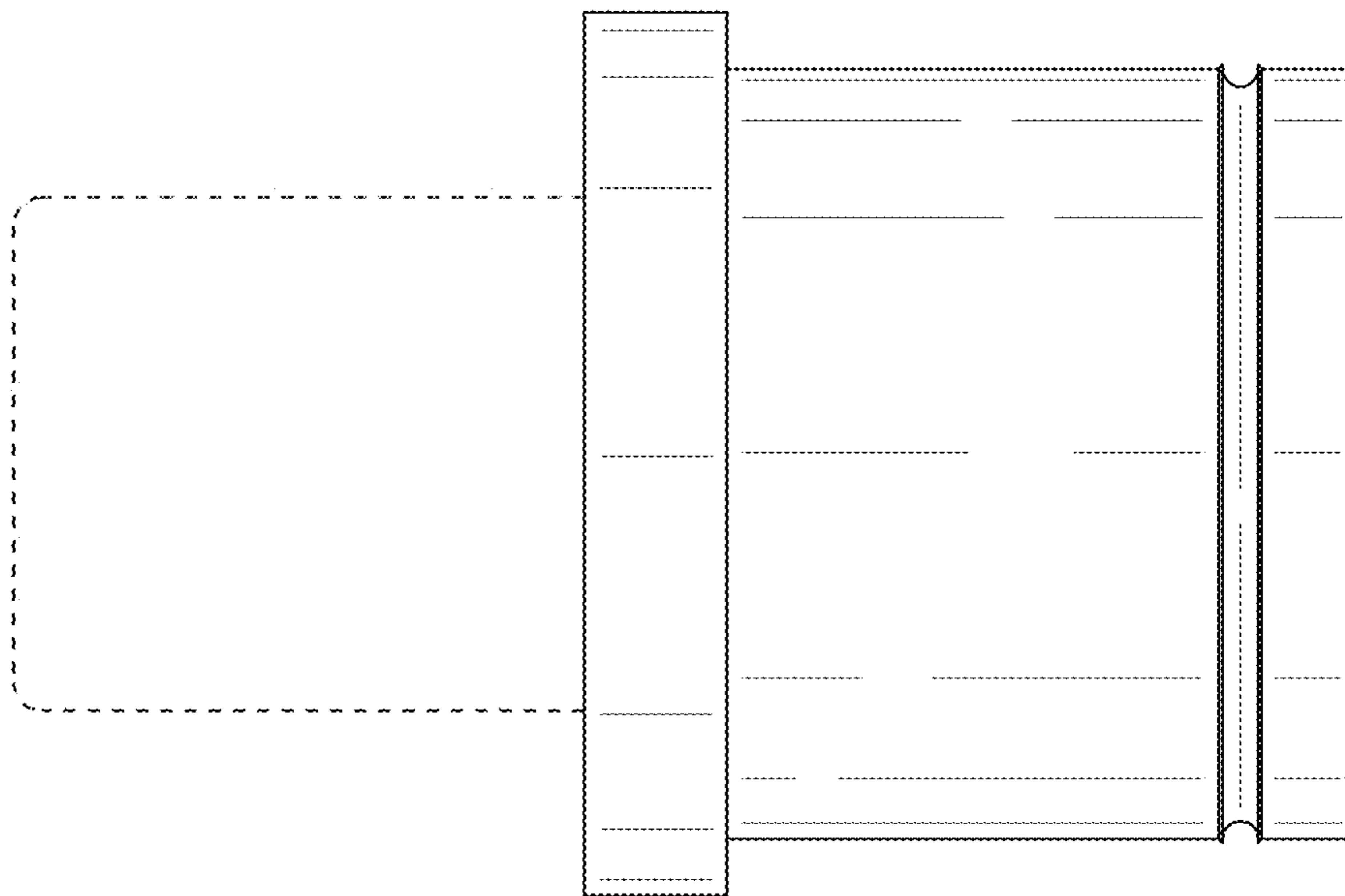


FIG. 5

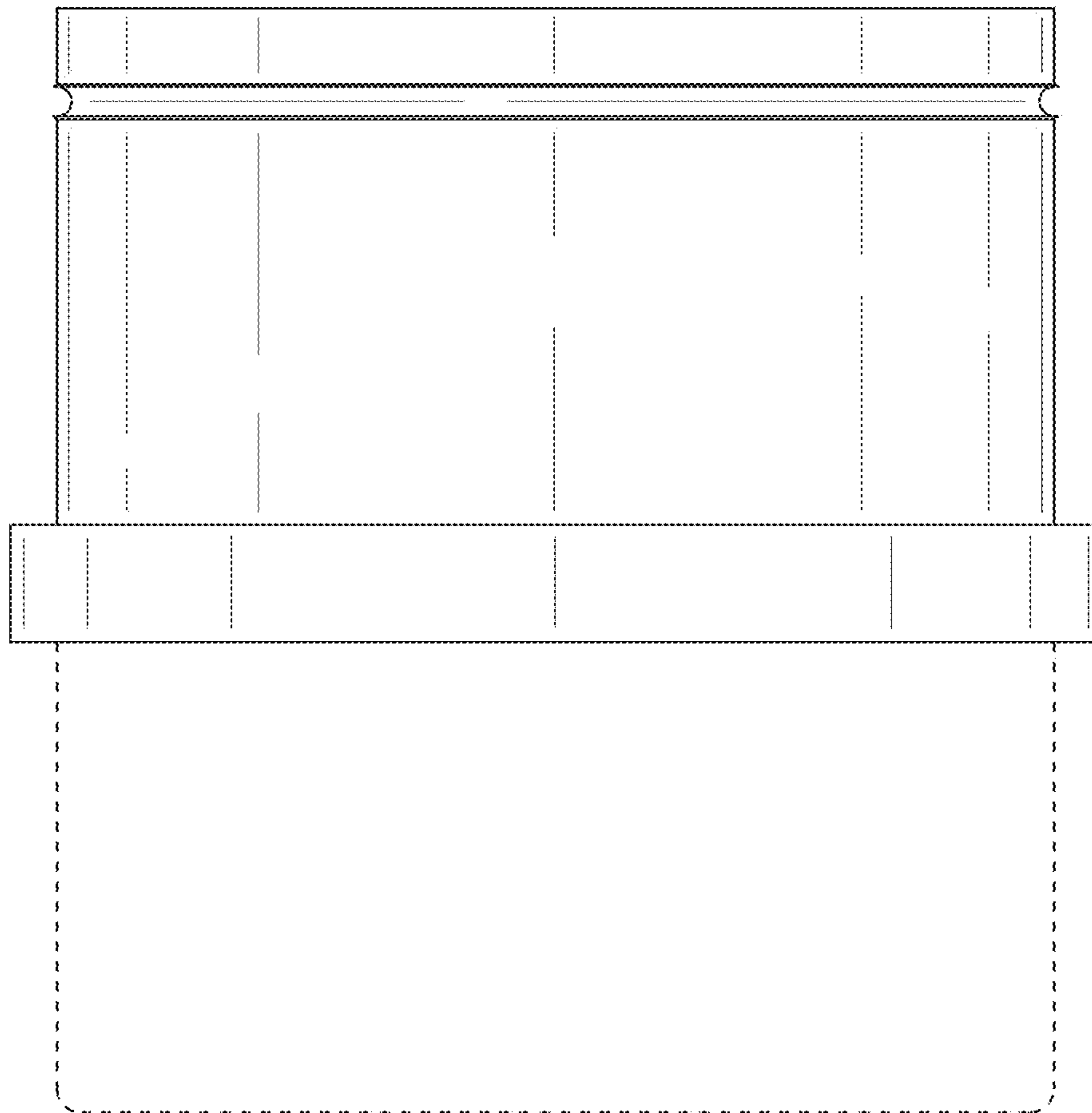


FIG. 6

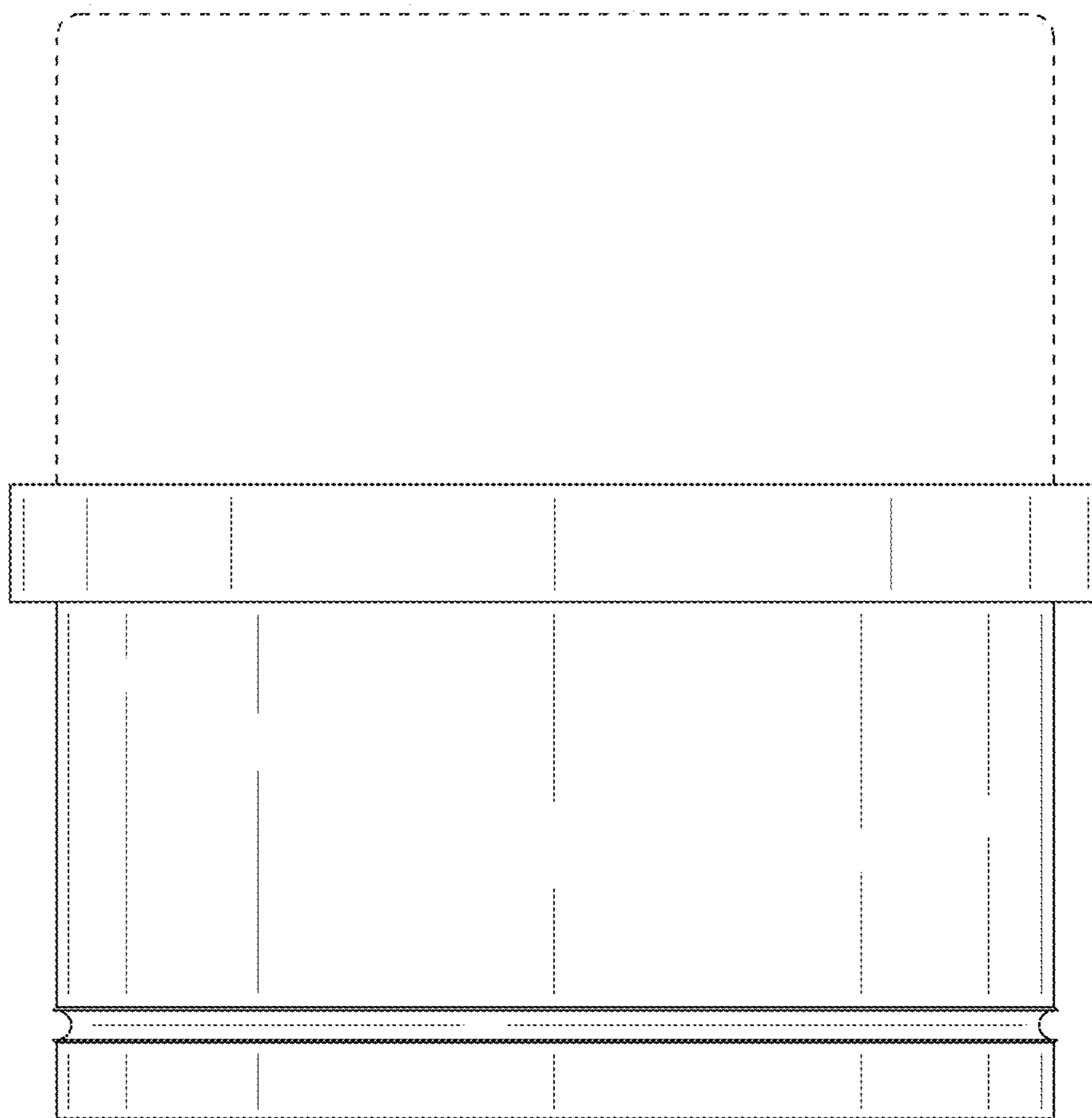


FIG. 7