



US00D961765S

(12) **United States Design Patent** (10) **Patent No.:** **US D961,765 S**  
**Sarita et al.** (45) **Date of Patent:** **\*\* Aug. 23, 2022**

(54) **BLOOD STORAGE BAG**

(56) **References Cited**

(71) Applicant: **Hemanext Inc.**, Lexington, MA (US)

U.S. PATENT DOCUMENTS

(72) Inventors: **Janearlo Sarita**, Lynn, MA (US);  
**Rafael Cordero**, Bedford, MA (US);  
**Jeffrey Sutton**, Medway, MA (US);  
**Michael Zocchi**, Arlington, MA (US);  
**Ayan Bhandari**, Roanoke, VA (US);  
**David Copeland**, Minnetonka, MN (US)

D263,746 S 4/1982 Johnson et al.  
4,406,659 A 9/1983 Broida  
D271,805 S 12/1983 Larkin et al.  
4,955,877 A 9/1990 Kurtz  
5,279,589 A 1/1994 Feldman  
D351,228 S 10/1994 Weiler et al.  
D423,095 S 4/2000 Gilcher et al.  
6,076,968 A 6/2000 Smith et al.  
D446,445 S 8/2001 Croft et al.  
D484,972 S 1/2004 Steele, IV et al.  
7,055,683 B2 6/2006 Bourque et al.

(Continued)

(73) Assignee: **Hemanext Inc.**, Lexington, MA (US)

(\*\*) Term: **15 Years**

*Primary Examiner* — Samantha Q Lawrence

(74) *Attorney, Agent, or Firm* — Arnold & Porter Kaye Scholer

(21) Appl. No.: **29/656,307**

(22) Filed: **Jul. 11, 2018**

(57) **CLAIM**

The ornamental design for a blood storage bag, substantially as shown and described.

**Related U.S. Application Data**

(63) Continuation-in-part of application No. 29/547,710, filed on Dec. 7, 2015, now abandoned.

**DESCRIPTION**

(51) **LOC (13) Cl.** ..... **24-02**

(52) **U.S. Cl.**  
USPC ..... **D24/118**

(58) **Field of Classification Search**  
USPC ..... D24/118, 108, 121, 122, 127, 128, 224;  
D3/233; D9/414, 416, 431, 432, 435,  
D9/444, 455, 460, 499, 517, 518, 522,  
D9/702, 703, 704, 705, 706, 707, 708,  
D9/709, 710, 711, 712, 713, 714, 719,  
D9/738, 739, 740  
CPC ..... A61F 5/4405; A61F 5/44; A61F 5/455;  
A61F 5/4407; A61F 1/2031; A61M  
1/0019; Y10S 128/24; A61J 1/10; A61J  
1/1406; A61J 1/475; A61J 1/2093; A61J  
1/2096

See application file for complete search history.

FIG. 1 is an assembled view of a device for storage of blood.  
FIG. 2 is a front view of the outer bag in FIG. 1.  
FIG. 3 is a rear view of the outer bag in FIG. 1.  
FIG. 4 is a front view of the inner bag in FIG. 1.  
FIG. 5 is a rear view of the inner bag in FIG. 1.  
FIG. 6 is a perspective view of an assembled device for storage of blood in FIG. 1.  
FIG. 7 is a side view of an assembled device for storage of blood in FIG. 1.  
FIG. 8 is a side view of an assembled device for storage of blood in FIG. 1.  
FIG. 9 is a front view of an assembled device for storage of blood in FIG. 1, aligned with the side view of FIG. 8.  
FIG. 10 is a perspective view of a filled assembled device for storage of blood; and,

(Continued)

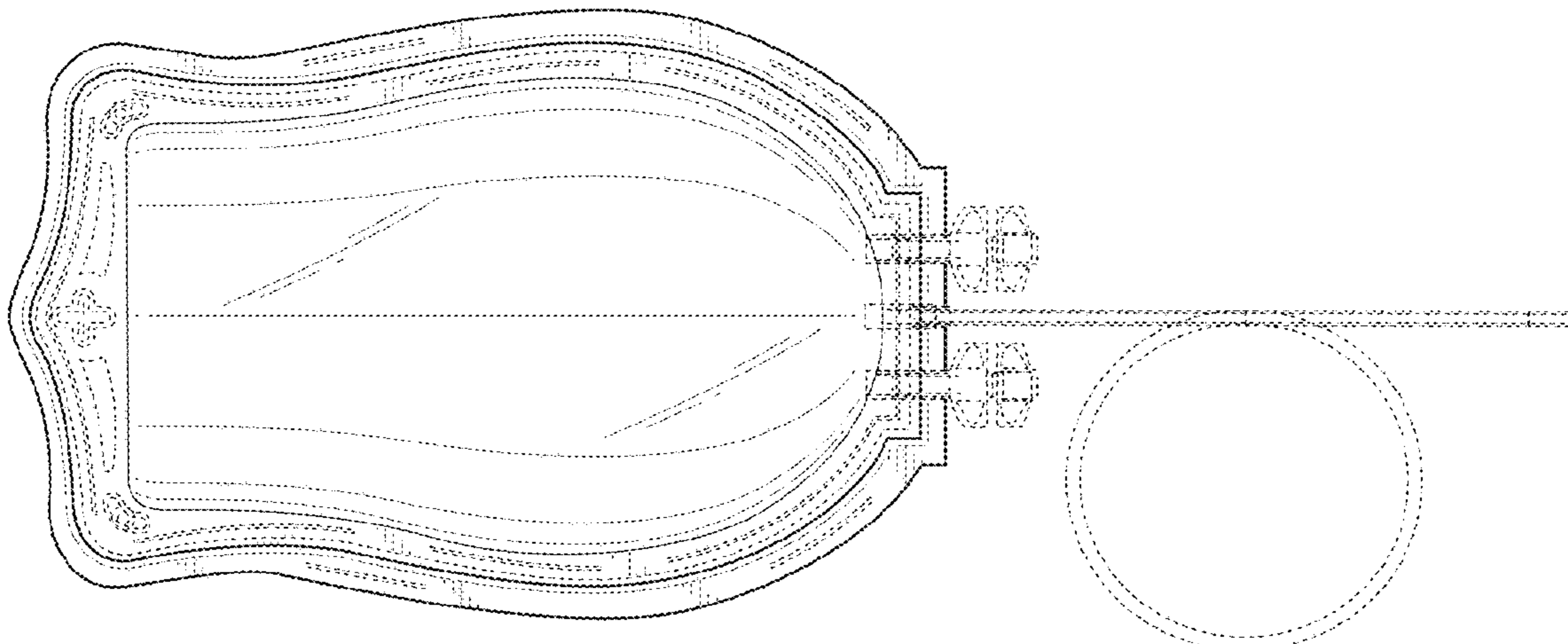


FIG. 11 is a side view of a filled assembled device for storage of blood.

**1 Claim, 10 Drawing Sheets**

(56)

**References Cited**

U.S. PATENT DOCUMENTS

D576,274	S	9/2008	Engström et al.	
D699,343	S *	2/2014	Clements .....	D24/118
D777,323	S *	1/2017	Honda .....	D24/118
D784,521	S *	4/2017	Nordquist .....	D24/118
D785,164	S *	4/2017	Subramanian .....	D24/118
D785,165	S *	4/2017	Nordquist .....	D24/118
D785,785	S *	5/2017	Castropil Logarzo .....	D24/118
D806,236	S *	12/2017	Lin .....	D24/118
D900,311	S *	10/2020	Henaut .....	D24/118
D909,572	S *	2/2021	Knoedler .....	D24/118
D910,838	S *	2/2021	Zhang .....	D24/118
D913,489	S *	3/2021	Bregeon .....	D24/118
2002/0103467	A1	8/2002	Kubalak	
2017/0181426	A1 *	6/2017	Wolf .....	A01N 1/0263
2017/0202740	A1 *	7/2017	Yoshida .....	B65D 81/268
2019/0046397	A1 *	2/2019	Harhen .....	A61M 1/0272

\* cited by examiner

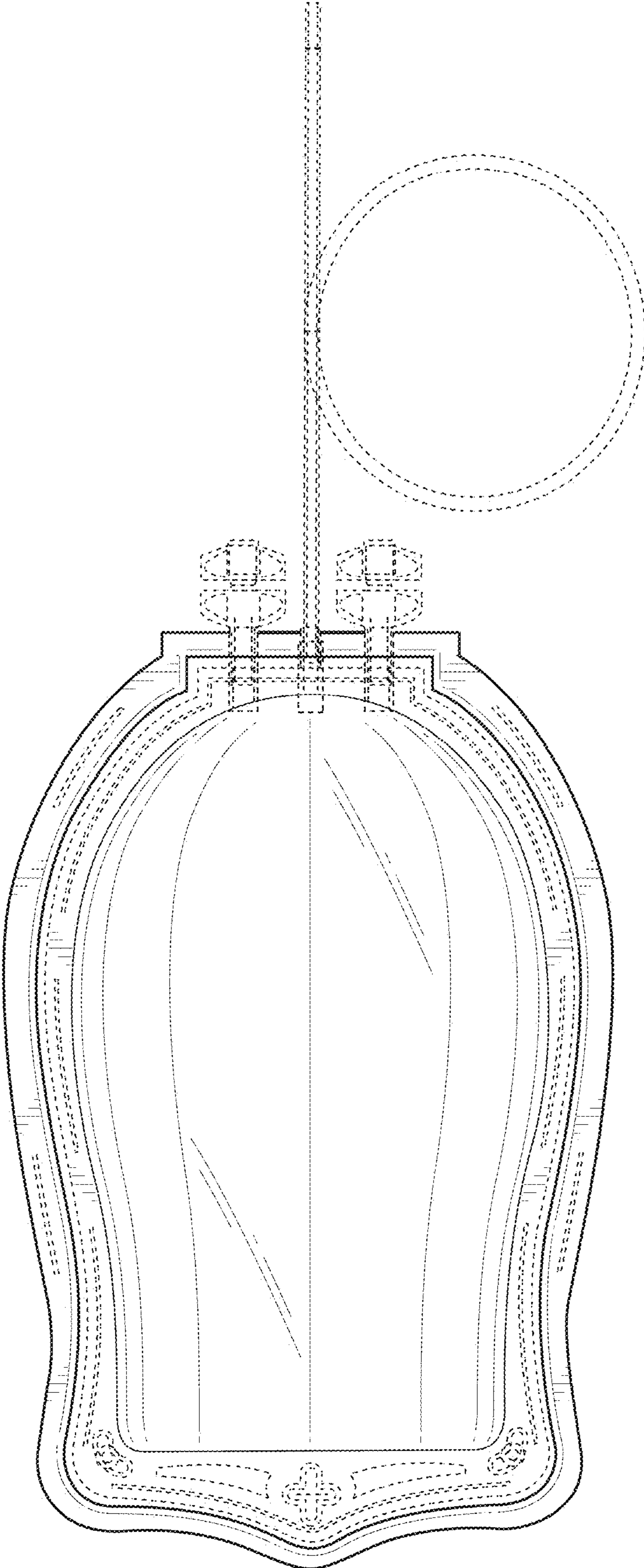
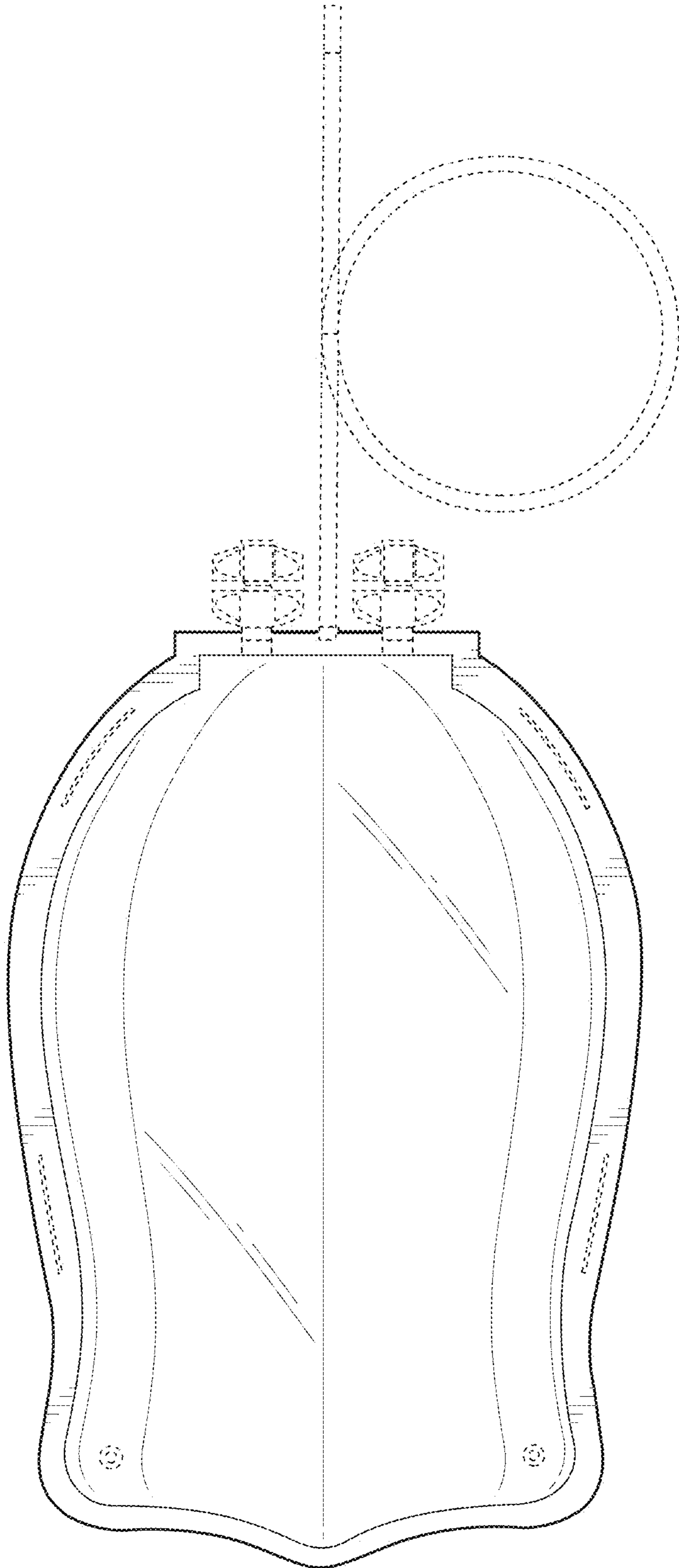
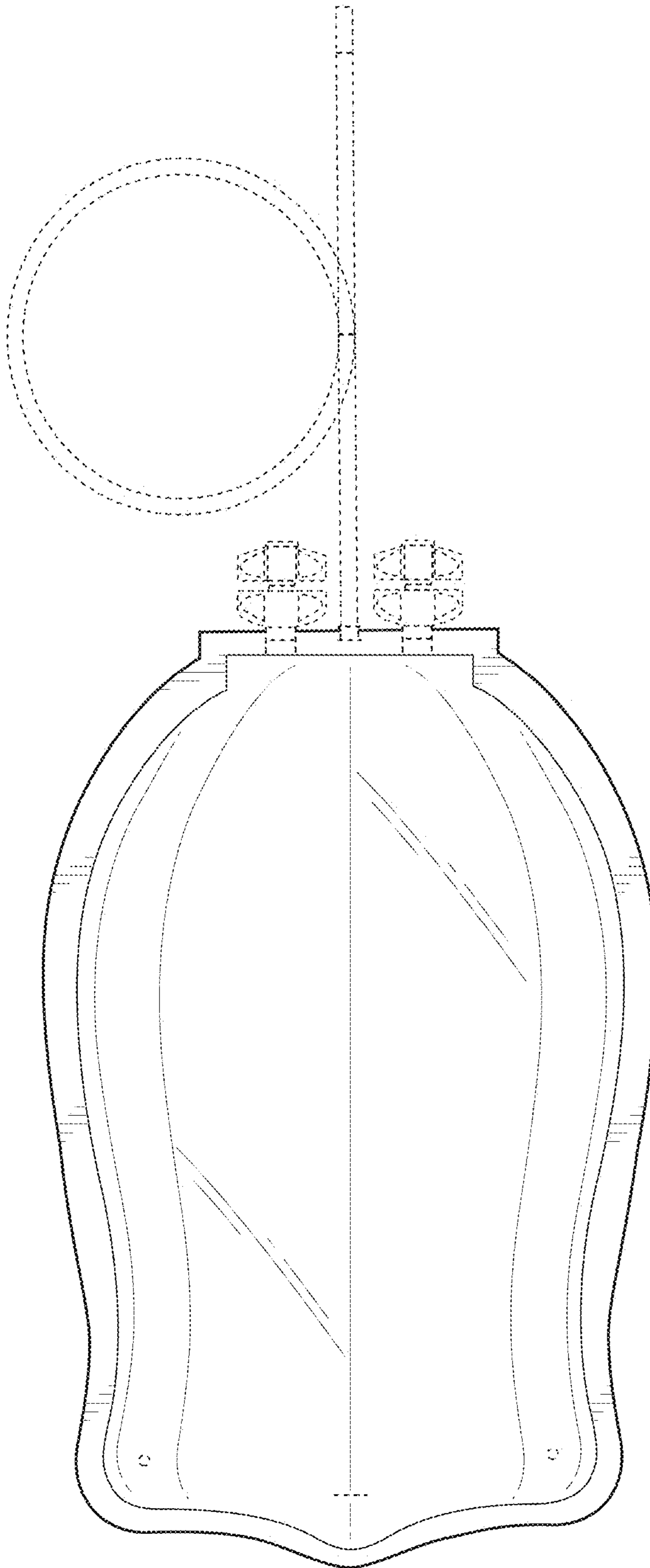


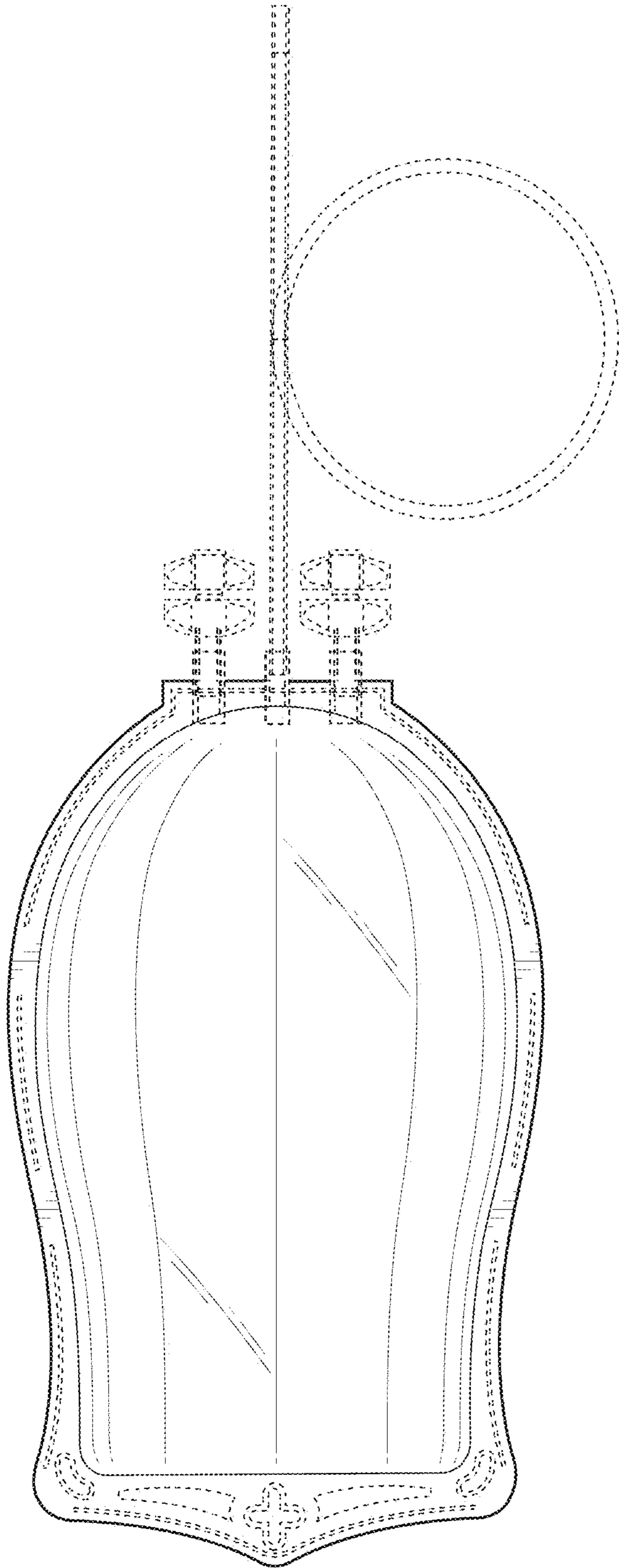
FIG. 1



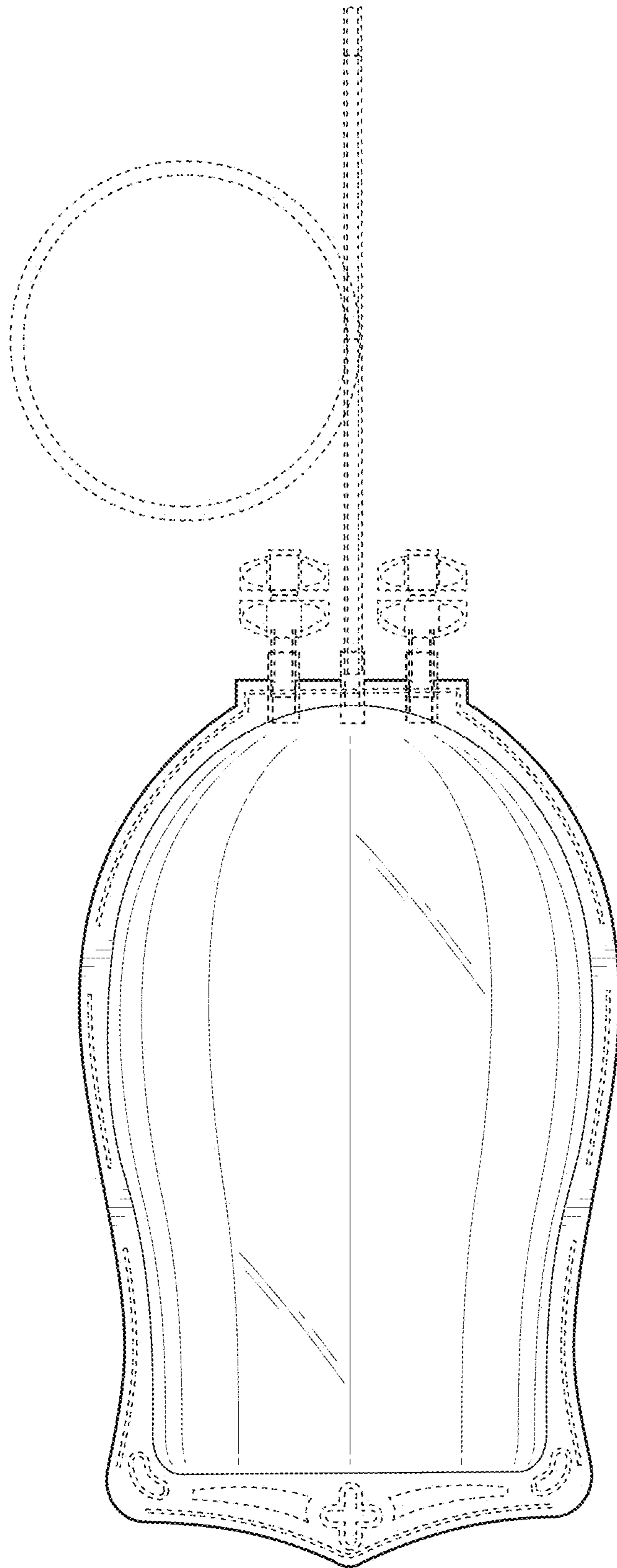
**FIG. 2**



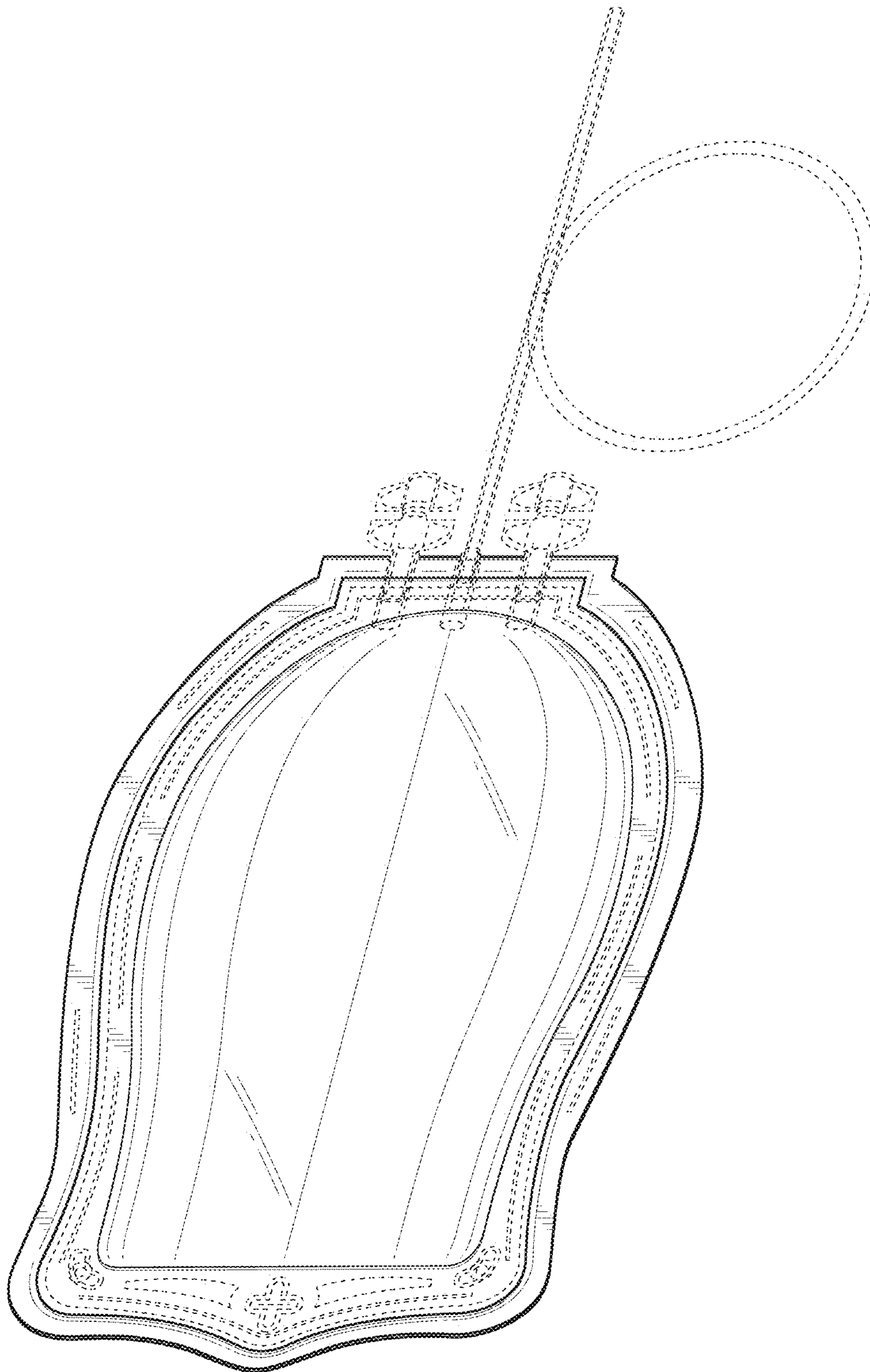
**FIG. 3**



**FIG. 4**



**FIG. 5**

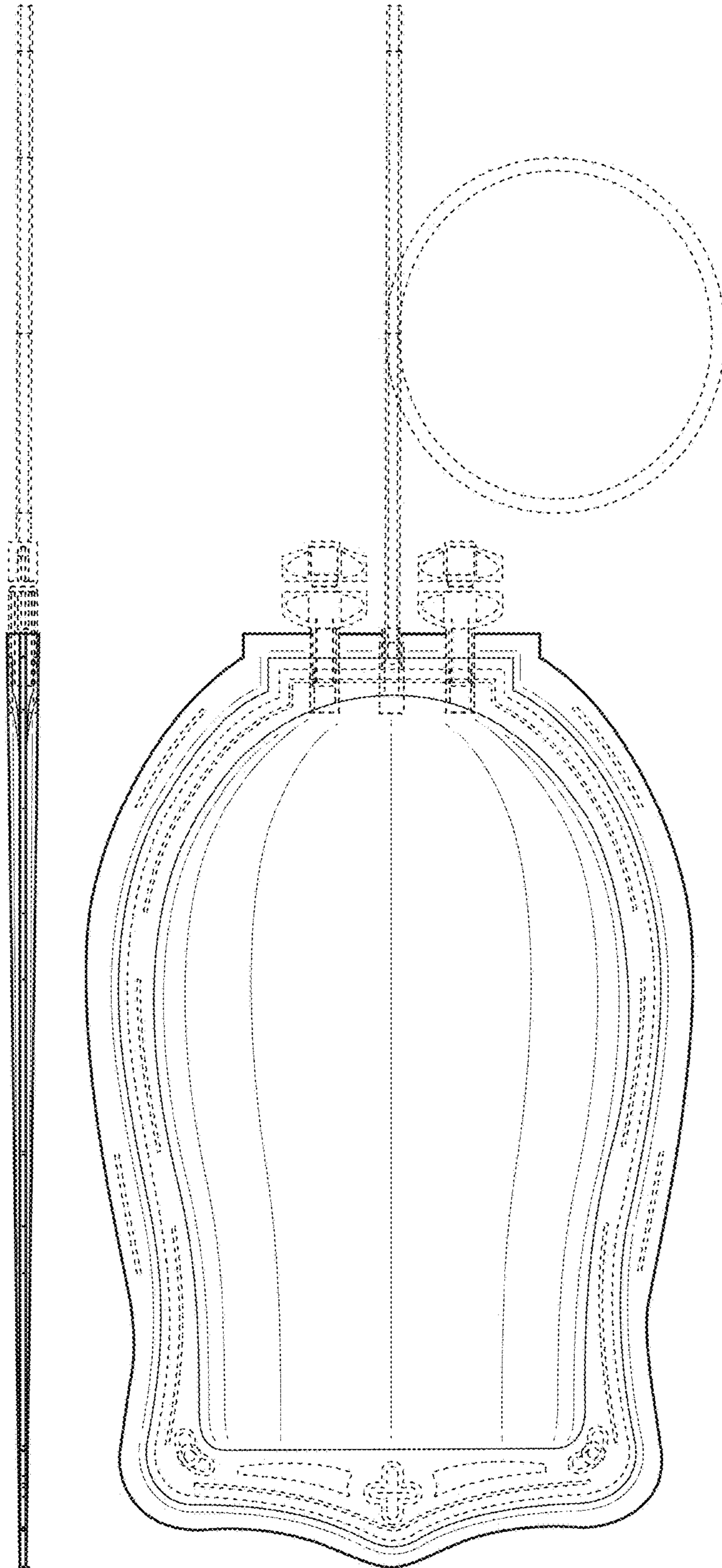


**FIG. 6**



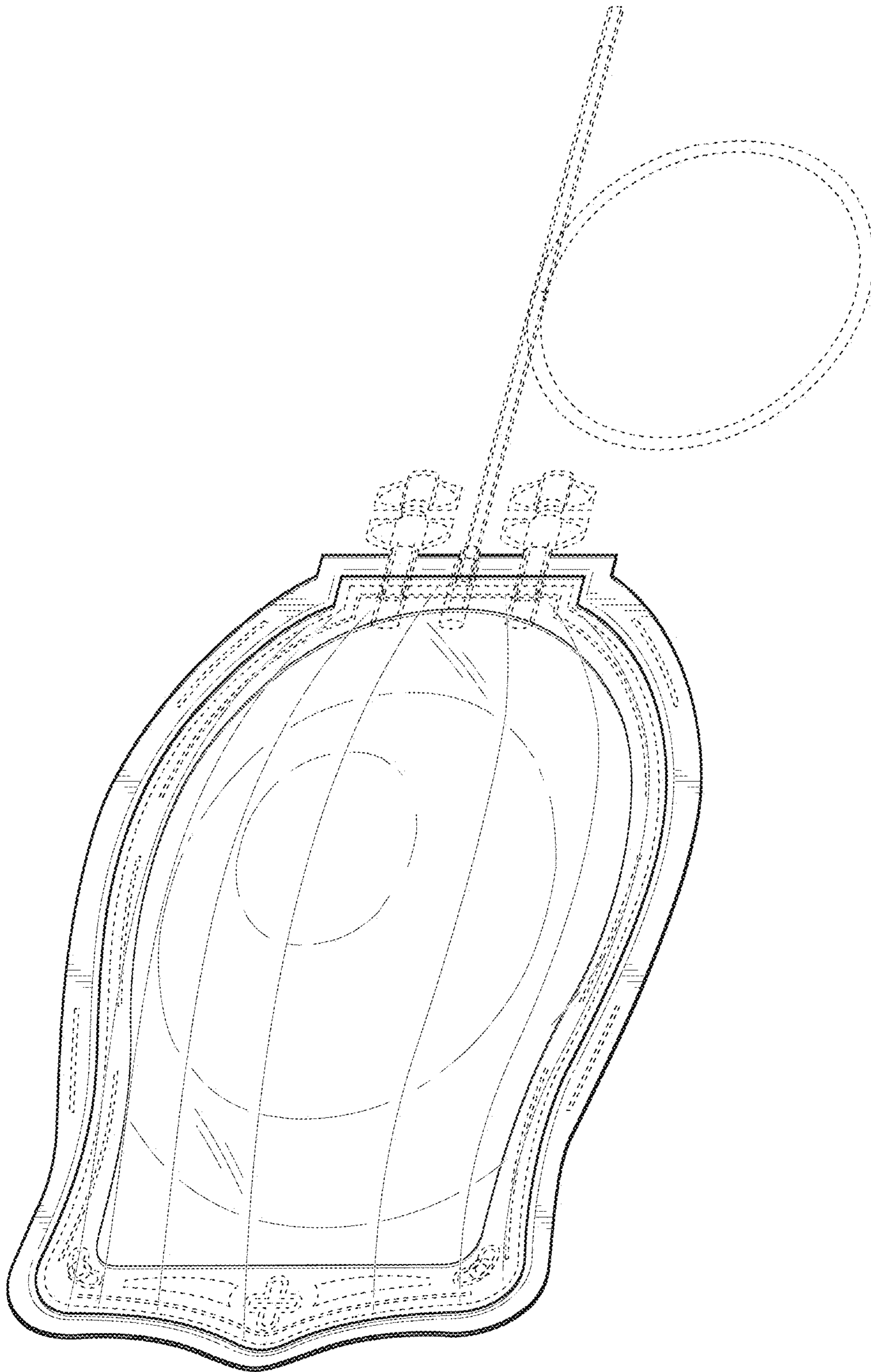


***FIG. 7***

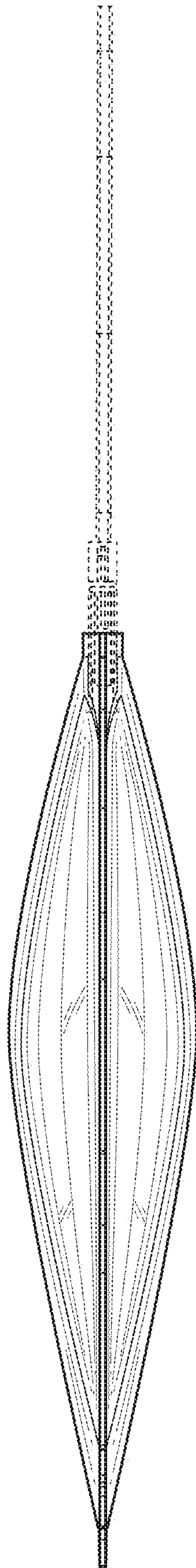


**FIG. 8**

**FIG. 9**



**FIG. 10**



**FIG. 11**