



US00D961761S

(12) **United States Design Patent** (10) **Patent No.:** **US D961,761 S**  
**Vaidya** (45) **Date of Patent:** **\*\* Aug. 23, 2022**

(54) **NOSE AND MOUTH FACE MASK**

- (71) Applicant: **University of Tennessee Research Foundation**, Knoxville, TN (US)
- (72) Inventor: **Uday Kumar Vaidya**, Birmingham, AL (US)
- (73) Assignee: **University of Tennessee Research Foundation**, Knoxville, TN (US)
- (\*\*) Term: **15 Years**

- (21) Appl. No.: **29/751,969**
- (22) Filed: **Sep. 24, 2020**
- (51) **LOC (13) Cl.** ..... **29-02**
- (52) **U.S. Cl.**  
USPC ..... **D24/110.1; D29/108**
- (58) **Field of Classification Search**  
USPC ..... D24/110, 110.1–110.6; D29/108  
CPC . A41D 13/11; A41D 13/1107; A41D 13/1115;  
A41D 13/1123; A41D 13/113; A41D 13/1138; A41D 13/1146; A41D 13/1153;  
A41D 13/1161; A41D 13/1169; A41D 13/1176; A61M 16/06; A62B 18/00;  
A62B 18/02; A62B 18/025; A62B 23/00  
See application file for complete search history.

(56) **References Cited**

**U.S. PATENT DOCUMENTS**

- 4,573,464 A \* 3/1986 Yo ..... A62B 18/10  
128/206.17
- 4,793,343 A \* 12/1988 Cummins, Jr. .... A62B 18/08  
219/501

(Continued)

**FOREIGN PATENT DOCUMENTS**

- CN 301619039 \* 7/2011
- CN 305959597 \* 7/2020

(Continued)

**OTHER PUBLICATIONS**

DK177 Half Respirator (available [online] May 12, 2020). Retrieved from the internet Dec. 16, 2021 from URL: <https://www.amazon.com/Respirator-Replaceable-Reusable-Polishing-Protection/dp/B088JXSKHP/> (Year: 2020).\*

(Continued)

*Primary Examiner* — Richard Kearney  
*Assistant Examiner* — Michael Hoffman  
(74) *Attorney, Agent, or Firm* — Reising Ethington P.C.

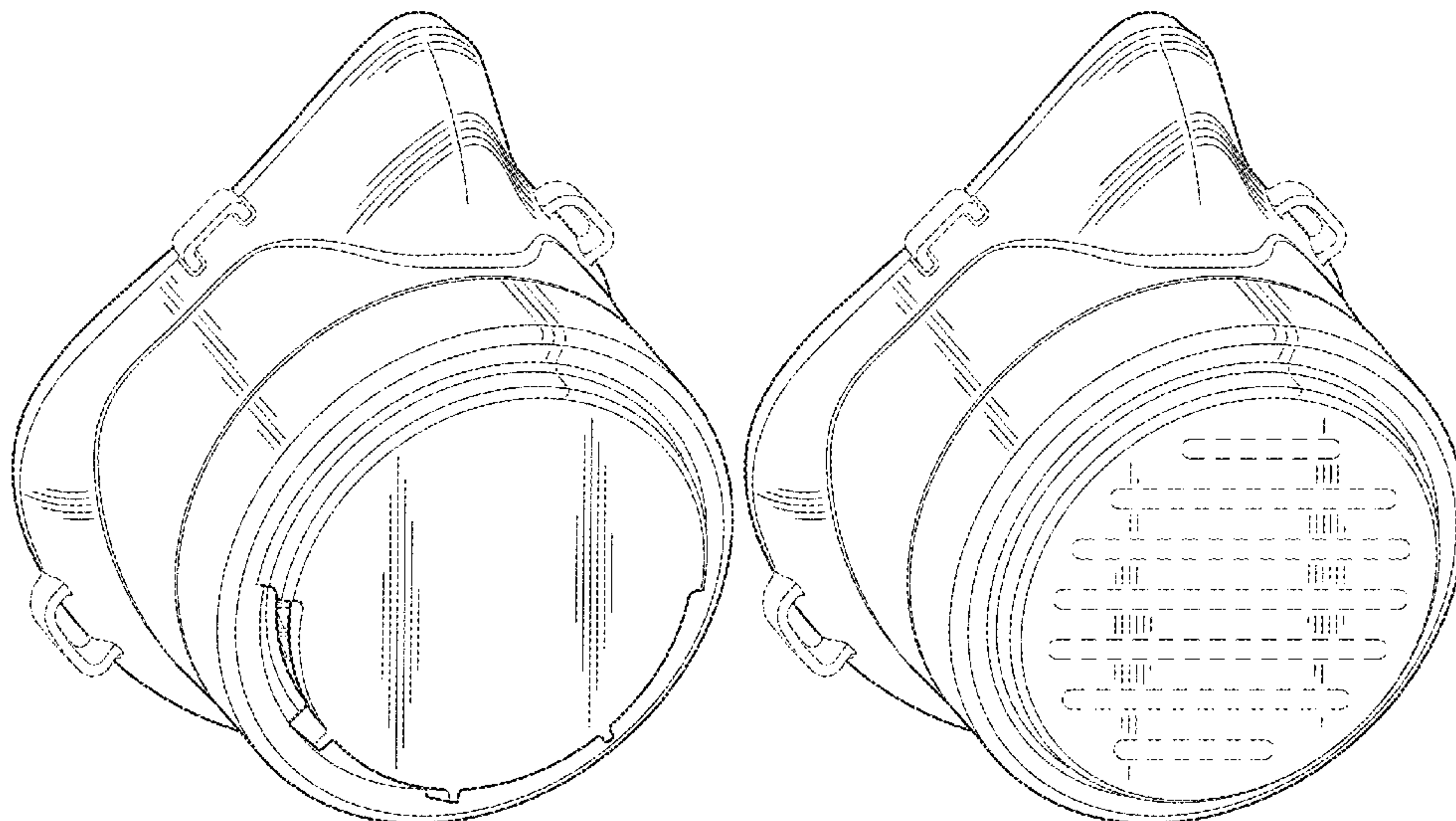
(57) **CLAIM**

The ornamental designs for a nose and mouth face mask, as shown and described.

**DESCRIPTION**

FIG. 1 is a perspective view of a first embodiment of the nose and mouth face mask;  
FIG. 2 is another perspective view thereof;  
FIG. 3 is a front view thereof;  
FIG. 4 is a rear view thereof;  
FIG. 5 is a right-side view thereof;  
FIG. 6 is a left-side view thereof;  
FIG. 7 is a top view thereof;  
FIG. 8 is a bottom view thereof;  
FIG. 9 is a perspective view of a second embodiment of the nose and mouth face mask;  
FIG. 10 is another perspective view of the second embodiment;  
FIG. 11 is a front view of the second embodiment;  
FIG. 12 is a rear view of the second embodiment;  
FIG. 13 is a right-side view of the second embodiment;  
FIG. 14 is a left-side view of the second embodiment;  
FIG. 15 is a top view of the second embodiment; and,  
FIG. 16 is a bottom view of the second embodiment.  
The broken lines in the drawings illustrate portions of the nose and mouth face mask and form no part of the claimed design.

**1 Claim, 8 Drawing Sheets**



(56)

References Cited

U.S. PATENT DOCUMENTS

D665,903 S \* 8/2012 Sullivan, Jr. .... D24/110.1  
2010/0269831 A1 \* 10/2010 Skov ..... A62B 18/10  
128/206.15  
2011/0297152 A1 \* 12/2011 Duveen ..... A61M 16/06  
128/203.29  
2013/0327335 A1 \* 12/2013 Ishikawa ..... B01D 53/30  
128/205.27  
2016/0199675 A1 \* 7/2016 Walker ..... A62B 18/02  
128/205.27  
2021/0307414 A1 \* 10/2021 Korathu-Larson .....  
A41D 13/1161  
2021/0338959 A1 \* 11/2021 Asthana ..... A61M 16/06  
2021/0346730 A1 \* 11/2021 Gray ..... A62B 7/10  
2021/0346732 A1 \* 11/2021 Tu ..... A62B 23/02  
2021/0346733 A1 \* 11/2021 Stranberg ..... A41D 13/11

2021/0346736 A1 \* 11/2021 Ravikumar ..... A41D 13/1107  
2021/0353972 A1 \* 11/2021 Adam ..... B01D 46/16  
2021/0379423 A1 \* 12/2021 Howell ..... A41D 13/1161

FOREIGN PATENT DOCUMENTS

CN 306376391 \* 3/2021  
CN 306407130 \* 3/2021  
CN 306902381 \* 10/2021  
KR 300402018.0001 \* 7/2008

OTHER PUBLICATIONS

WORKCARE (available [online]). Retrieved Jun. 16, 2022 from internet URL: <https://www.ubuy.com.kz/en/product/1YRU7UW6-workcare-half-face-reusable-safety-mask-single-filter-protection-safety-mask-for-chemical-dust-carvi> (Year: 2022).\*

\* cited by examiner

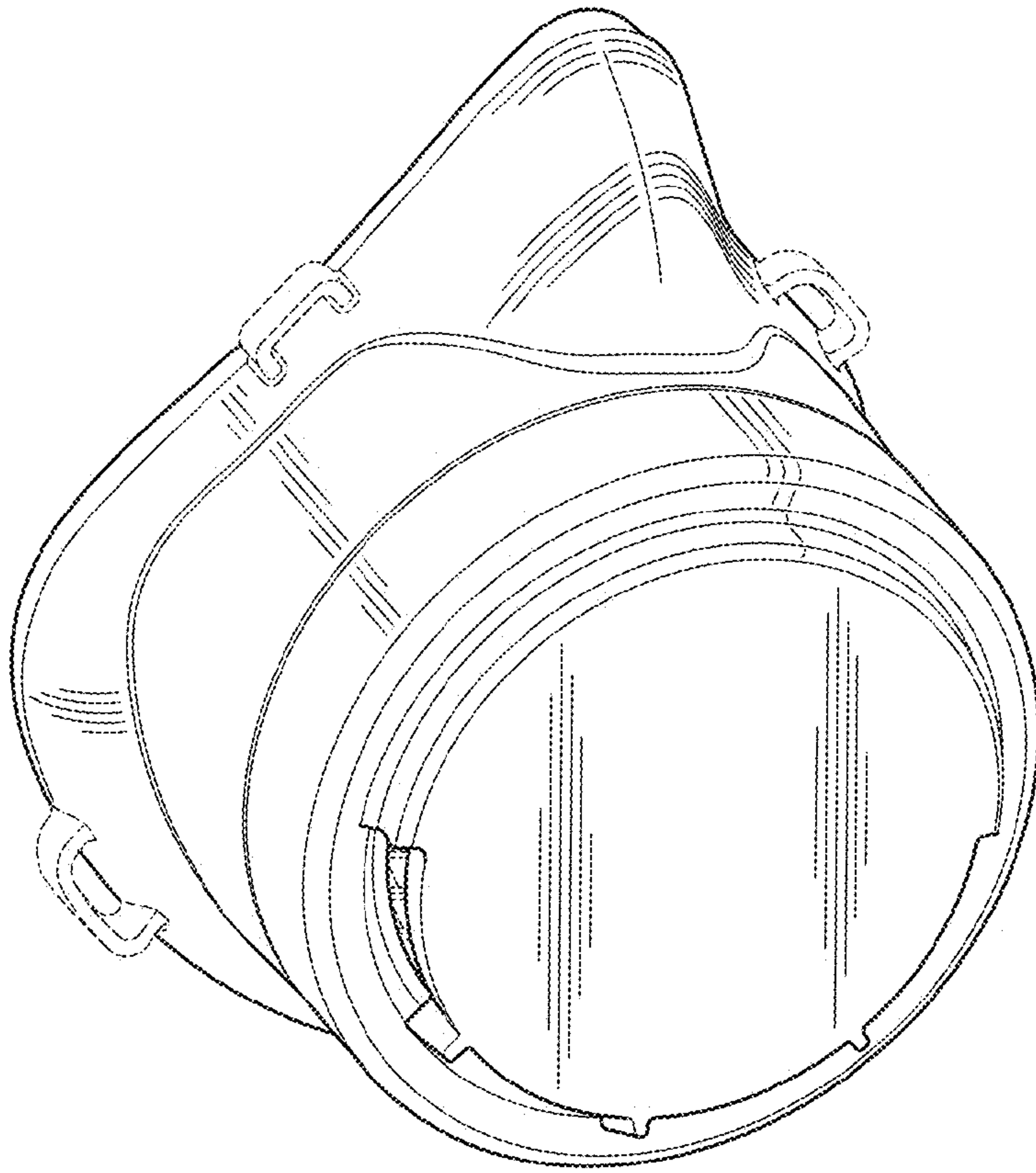


FIG. 1

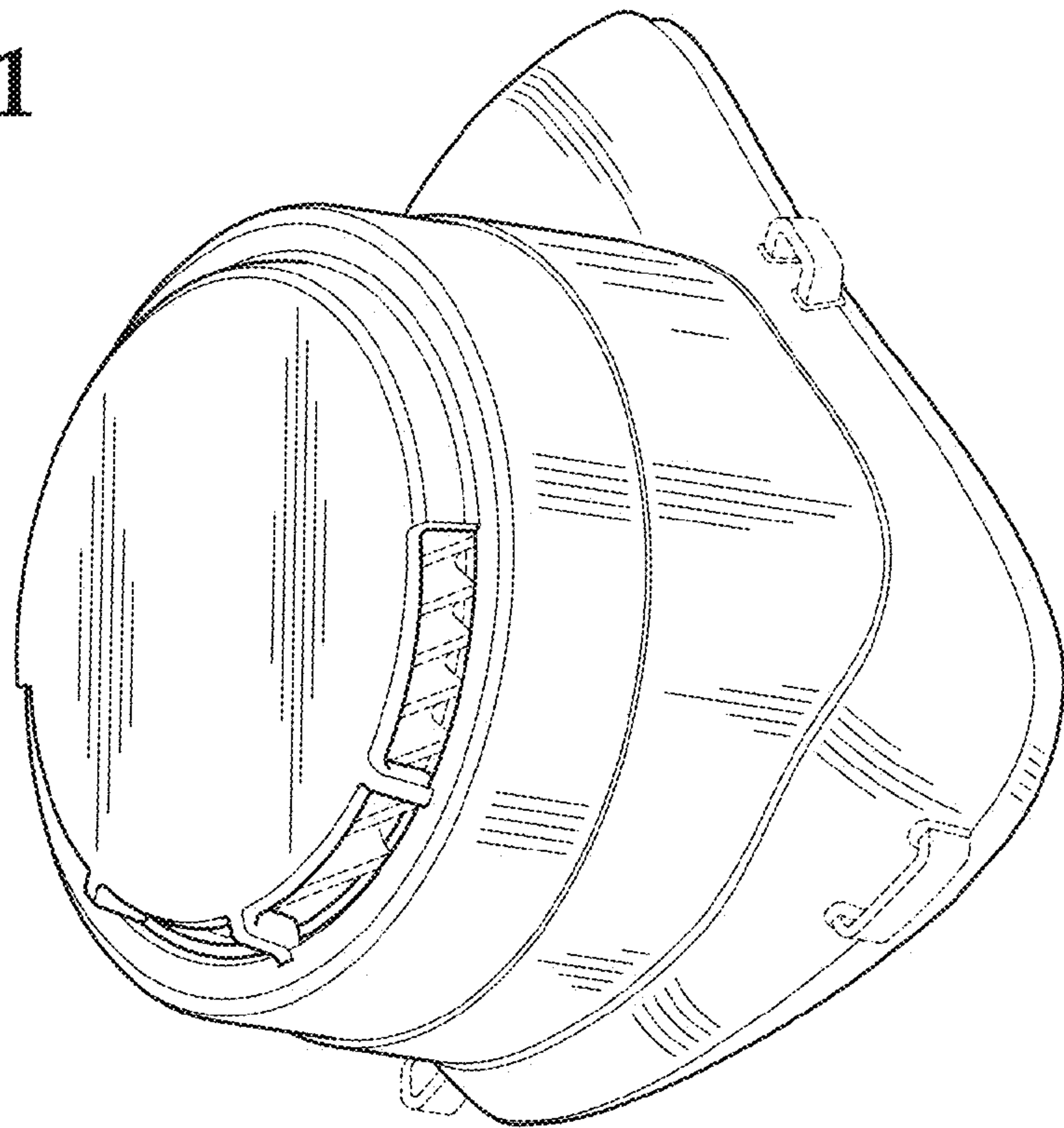
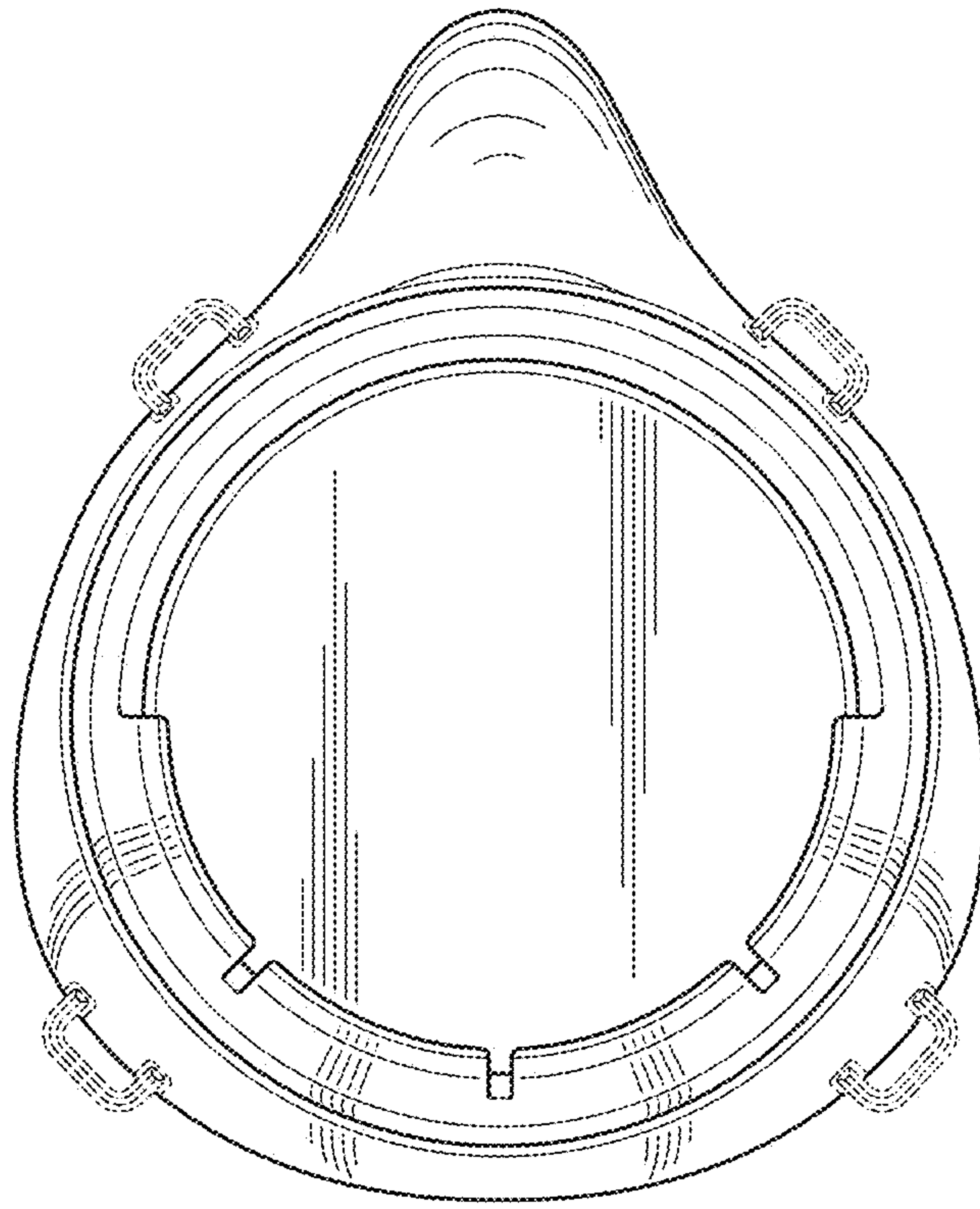
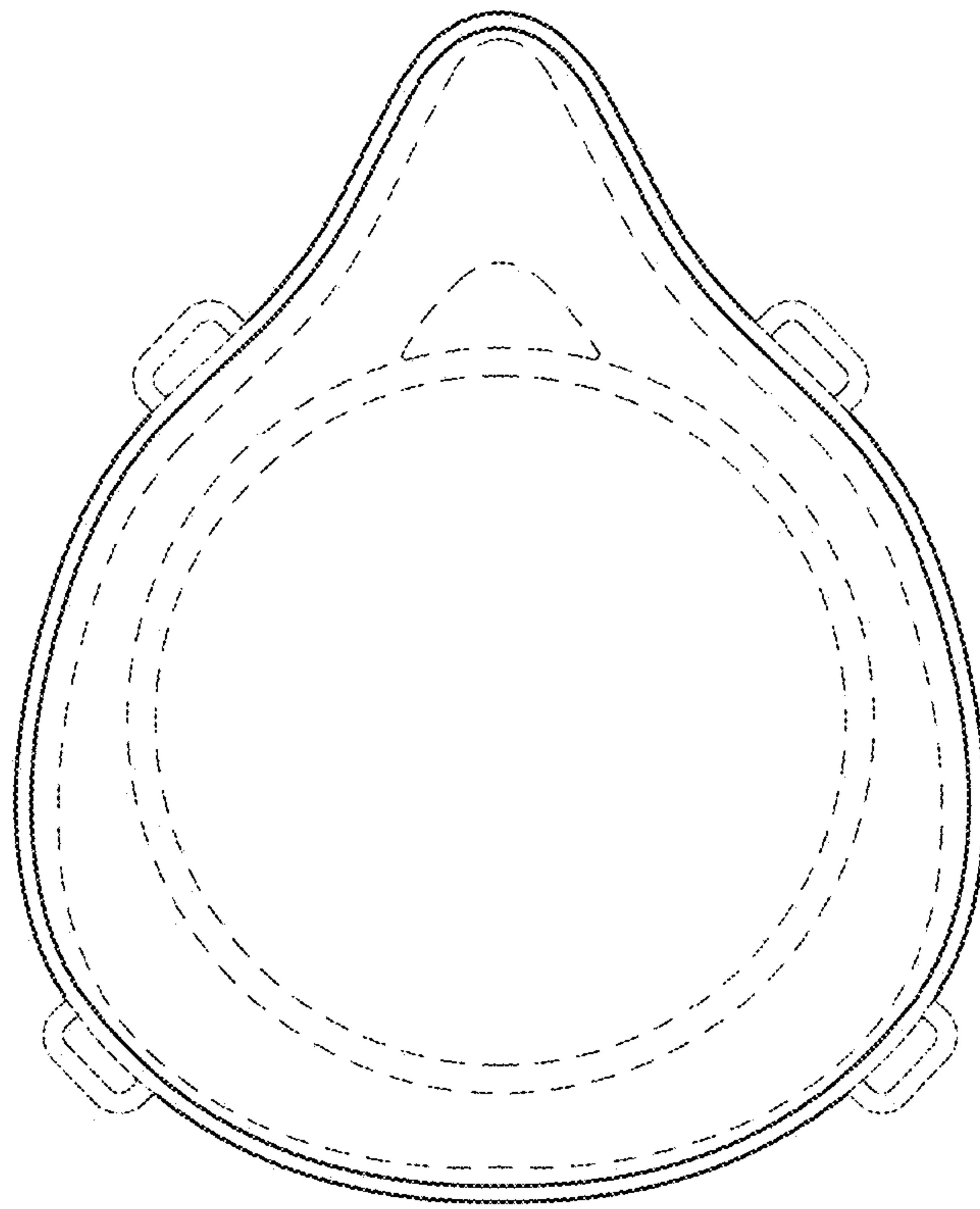


FIG. 2

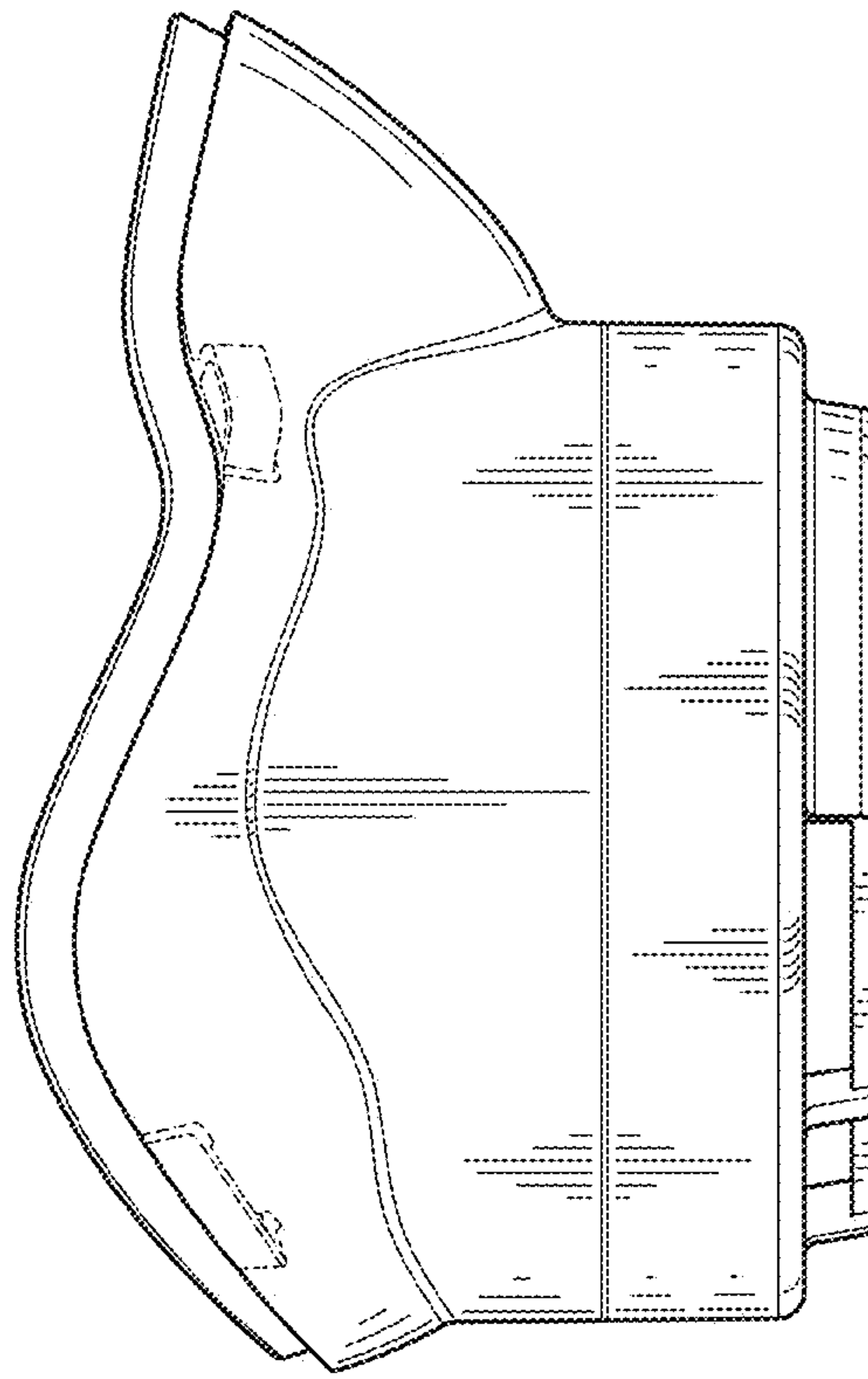




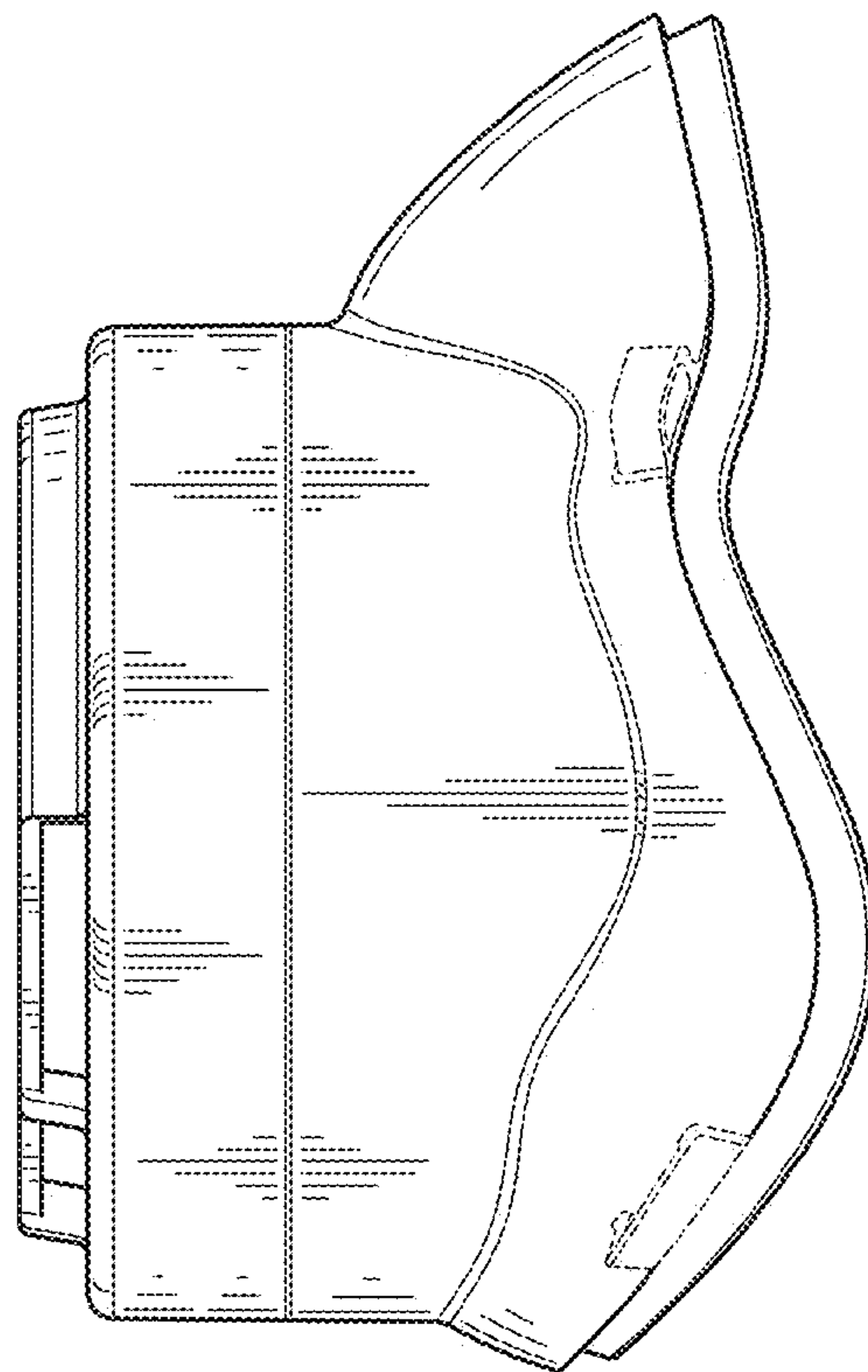
**FIG. 3**



**FIG. 4**



**FIG. 5**



**FIG. 6**

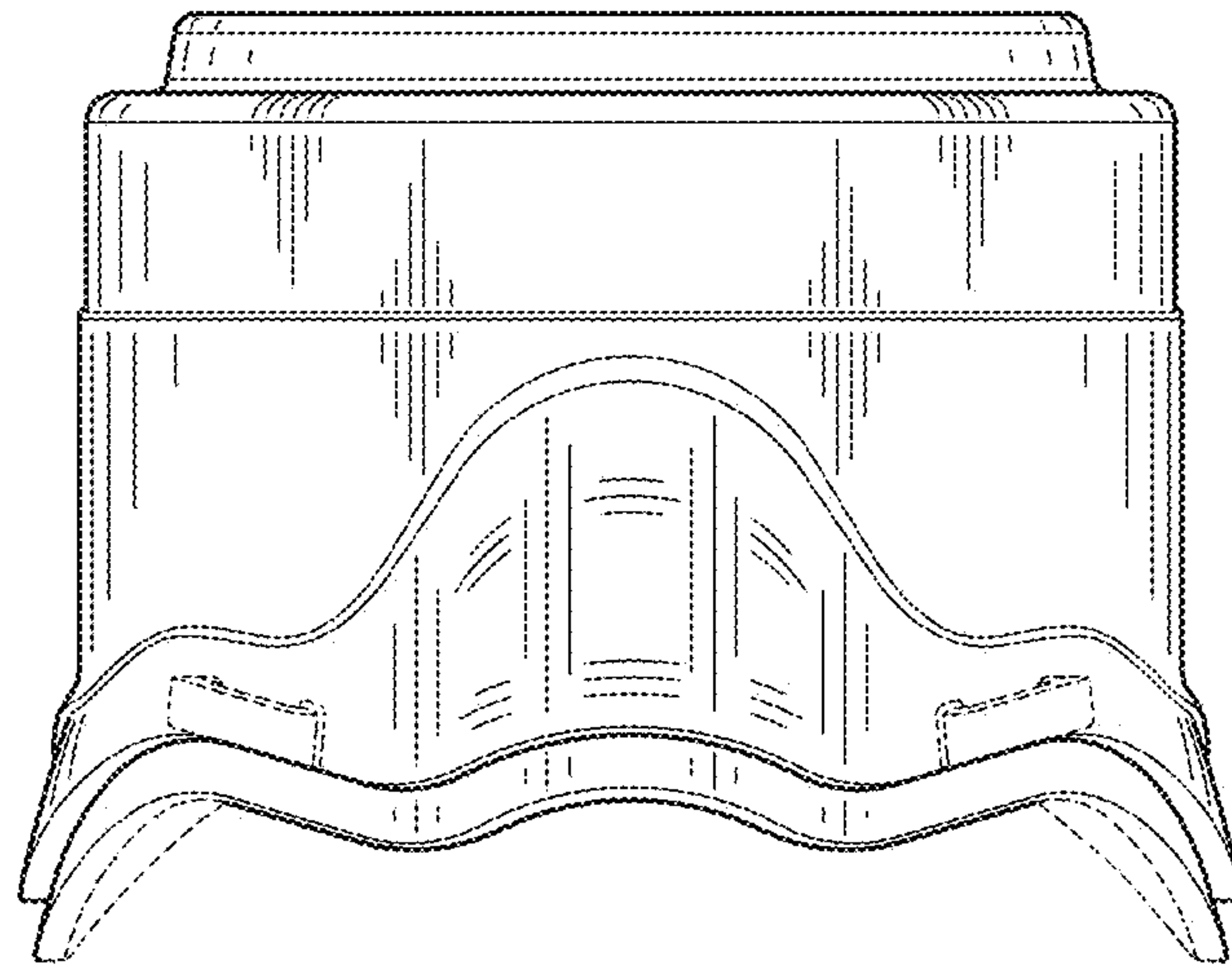


FIG. 7

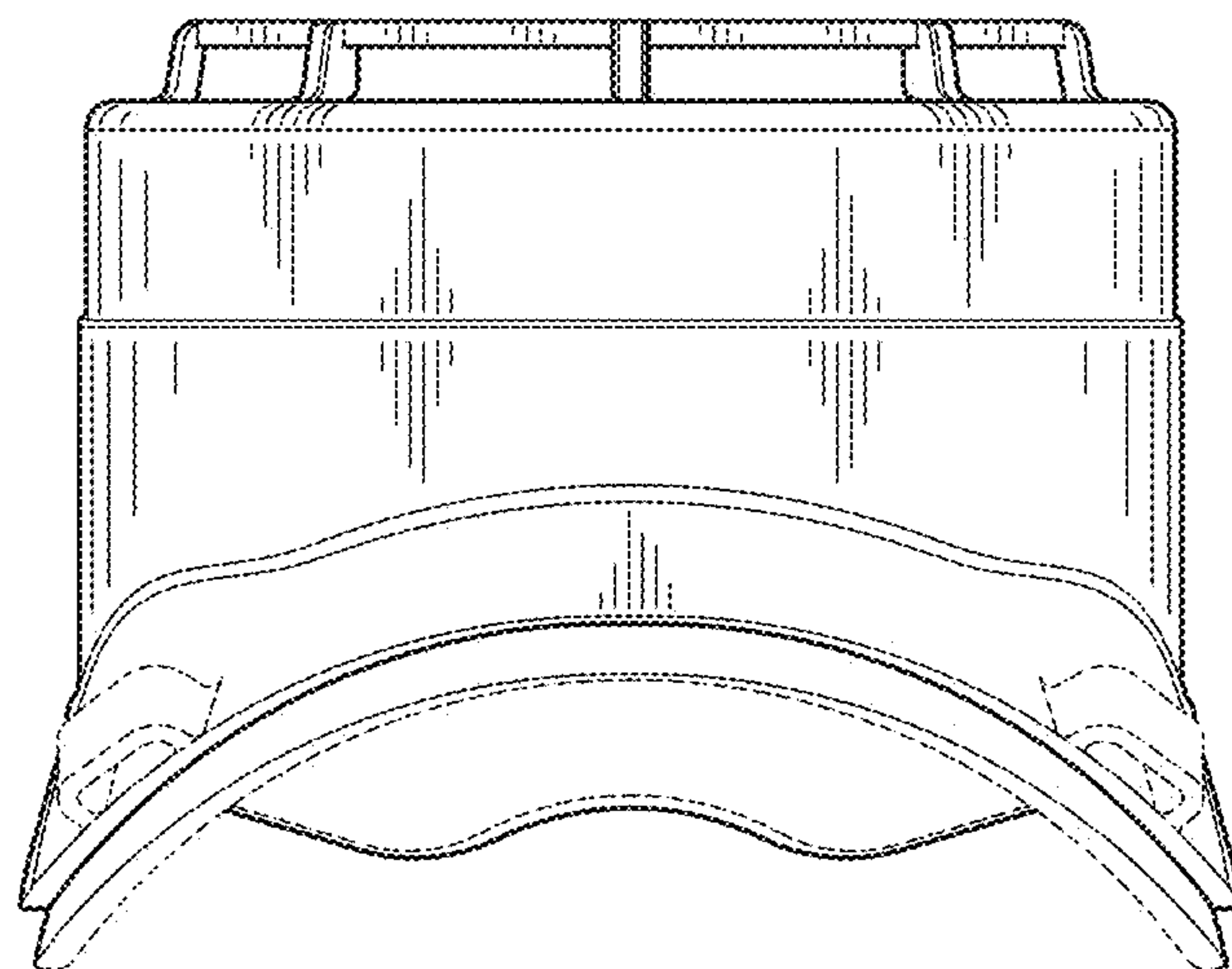
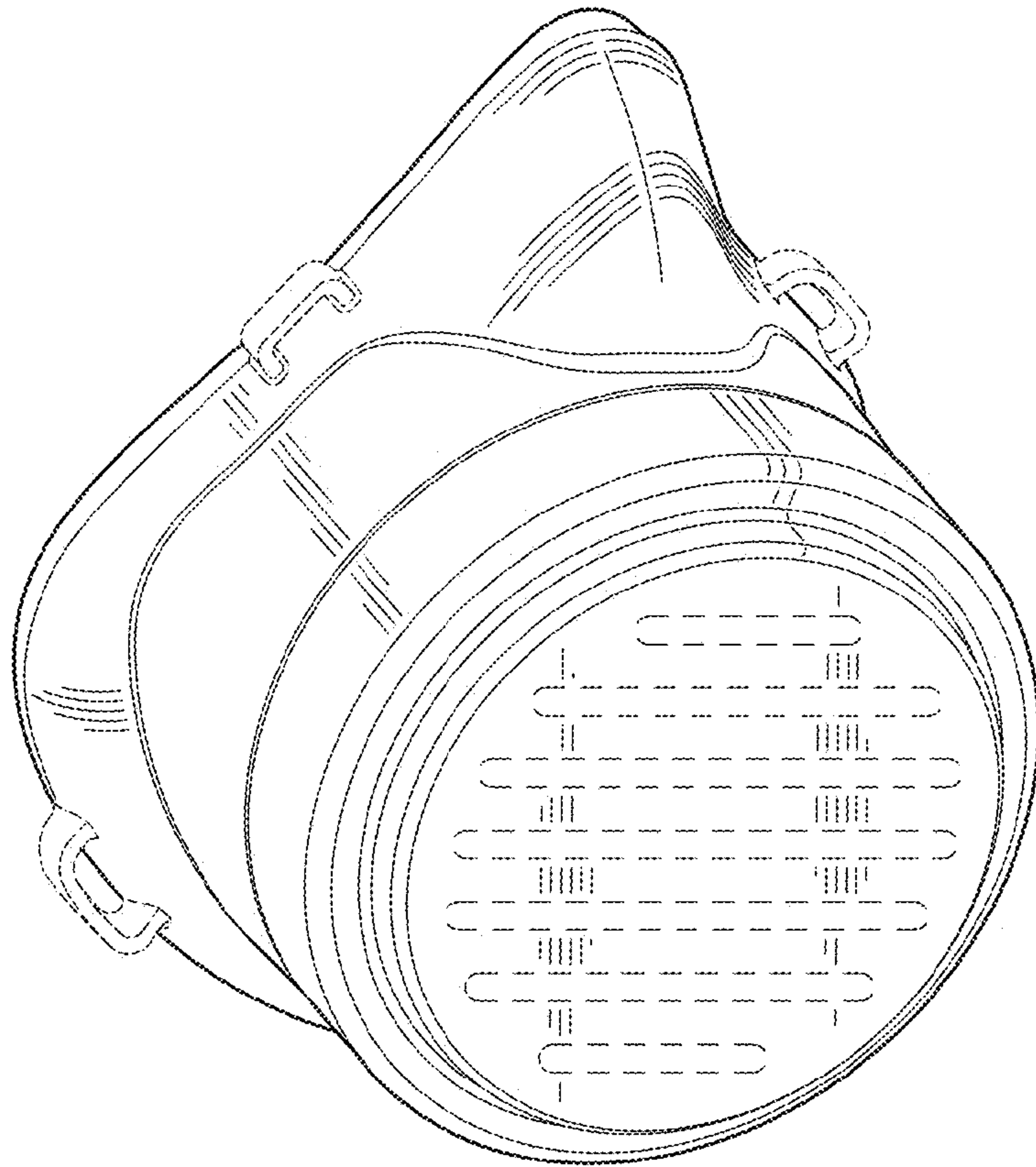
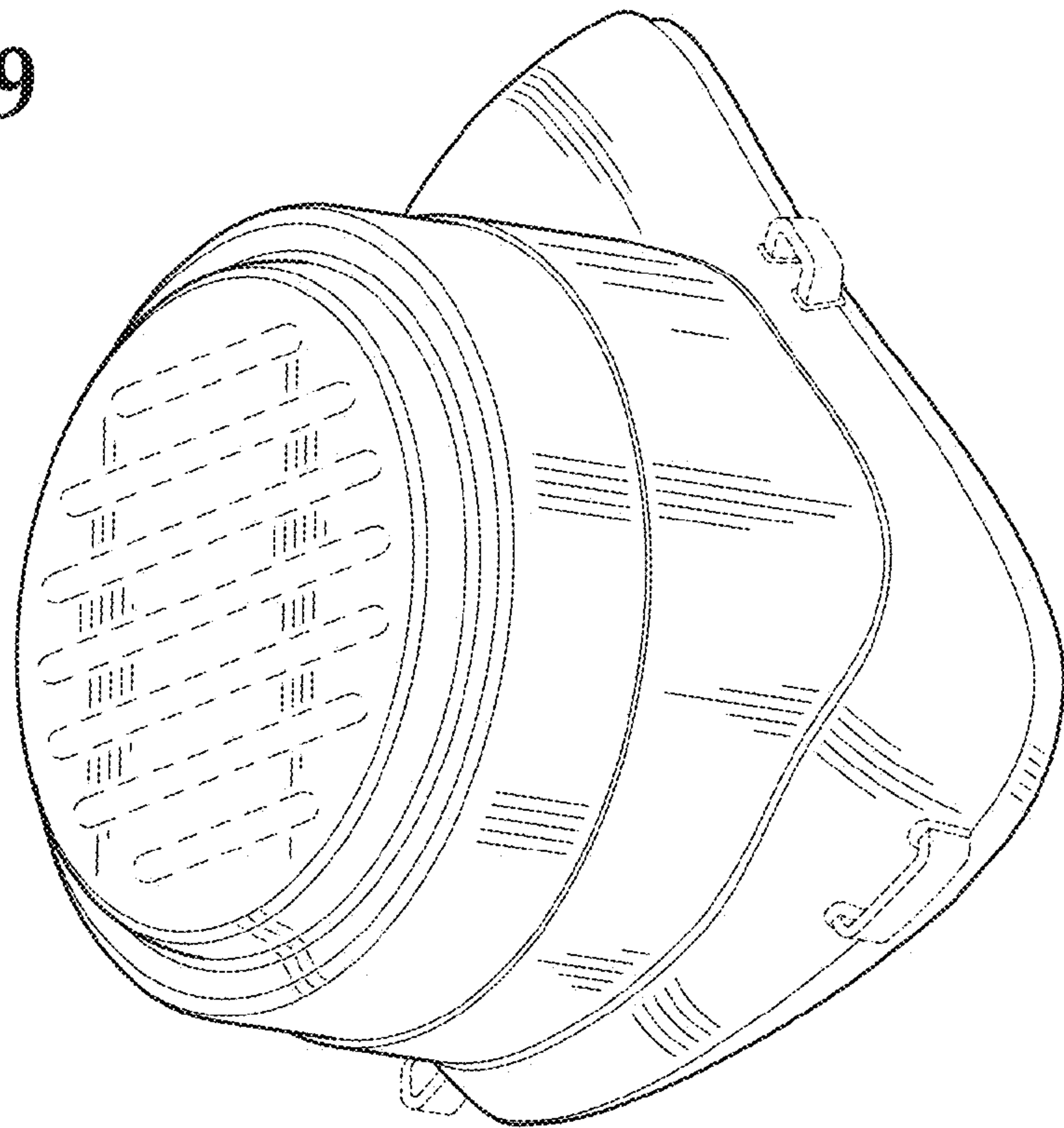


FIG. 8



**FIG. 9**



**FIG. 10**



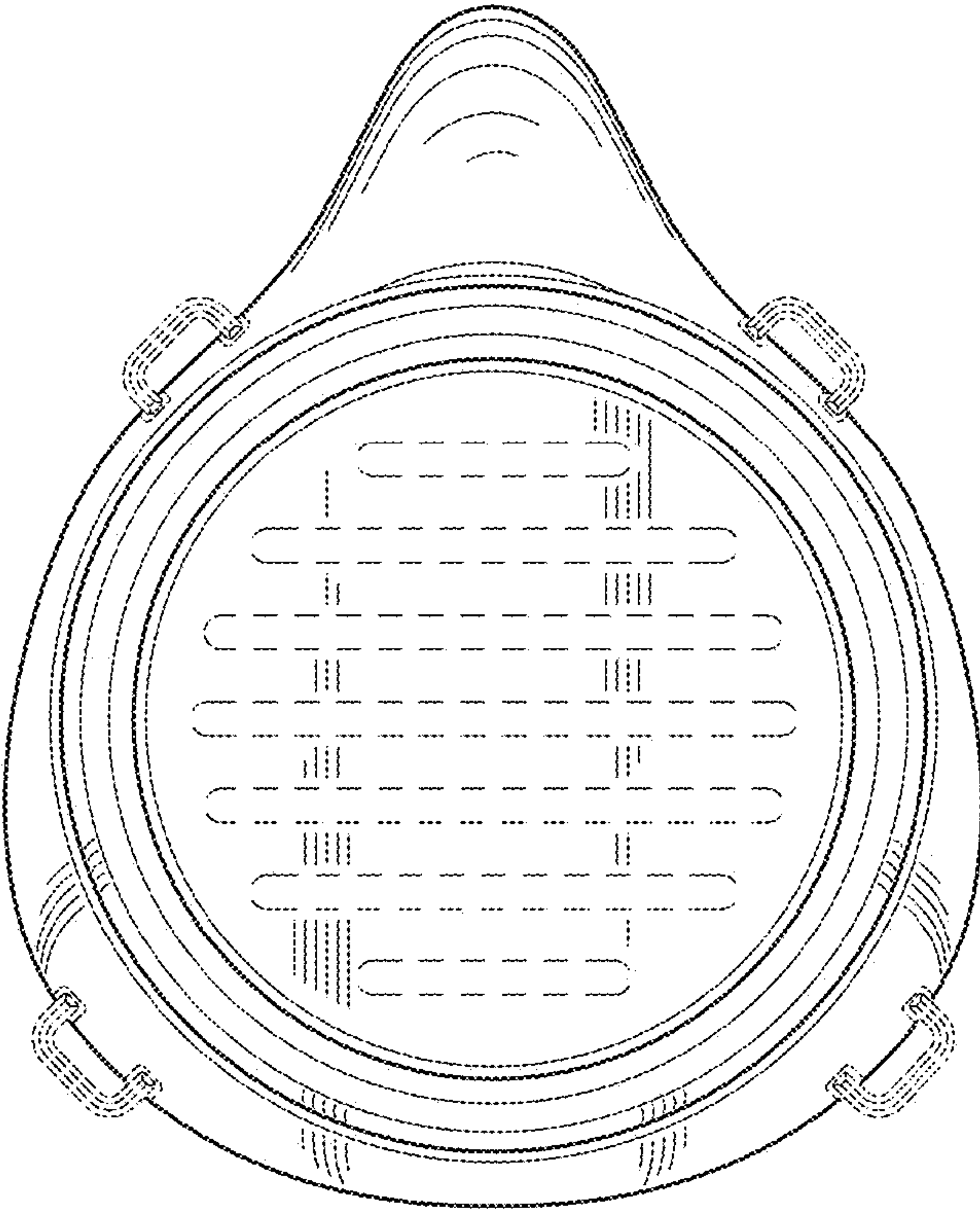


FIG. 11

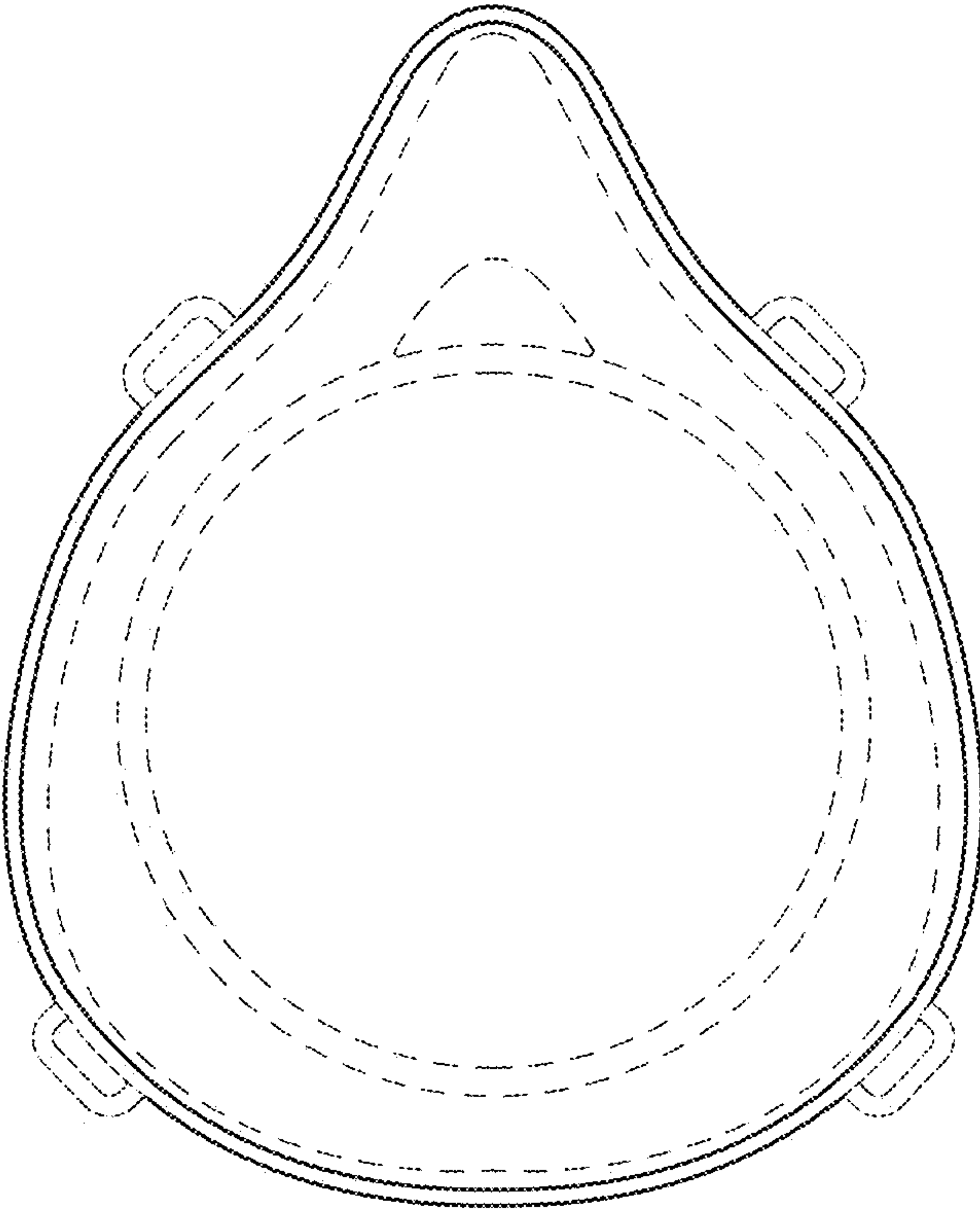
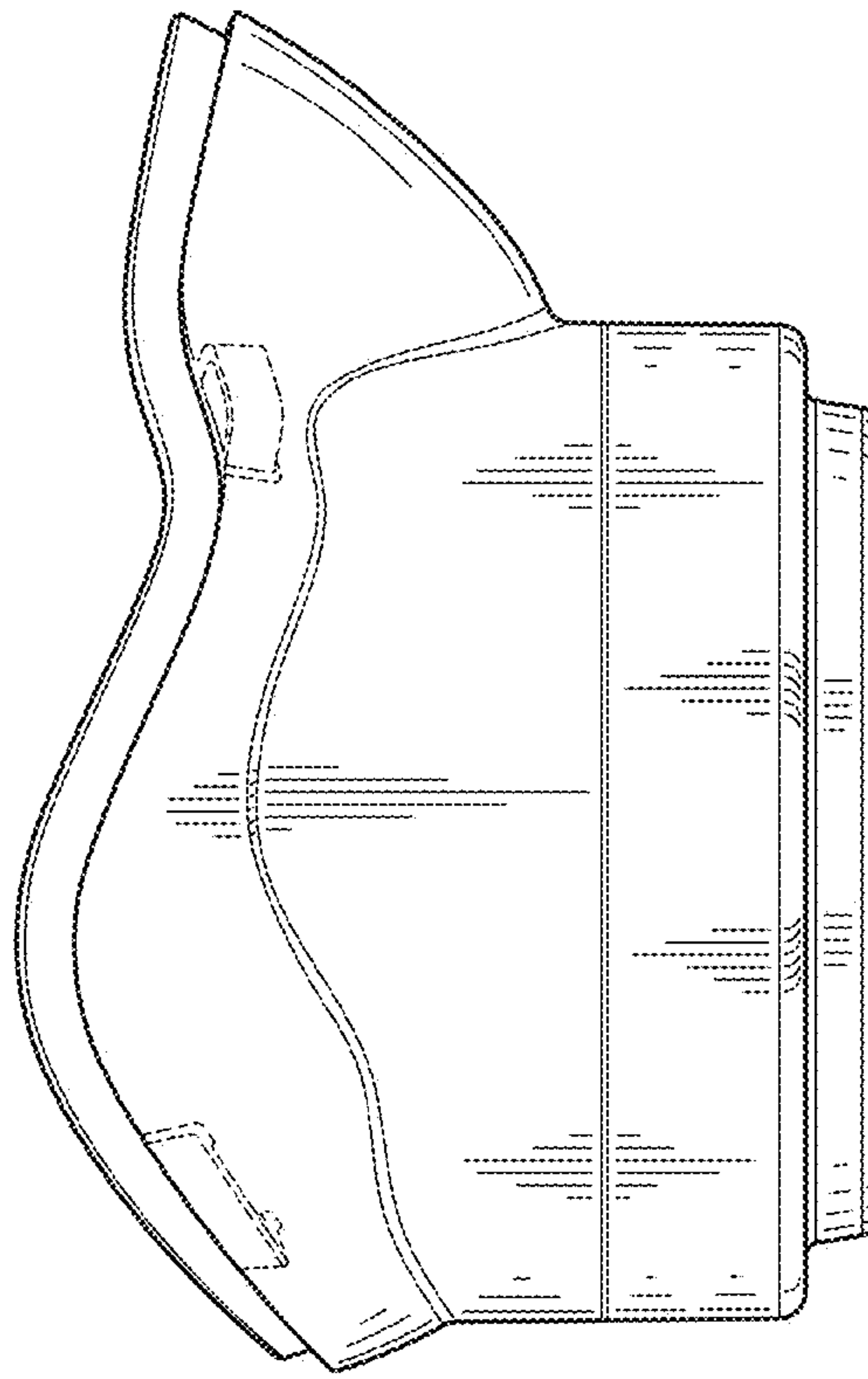
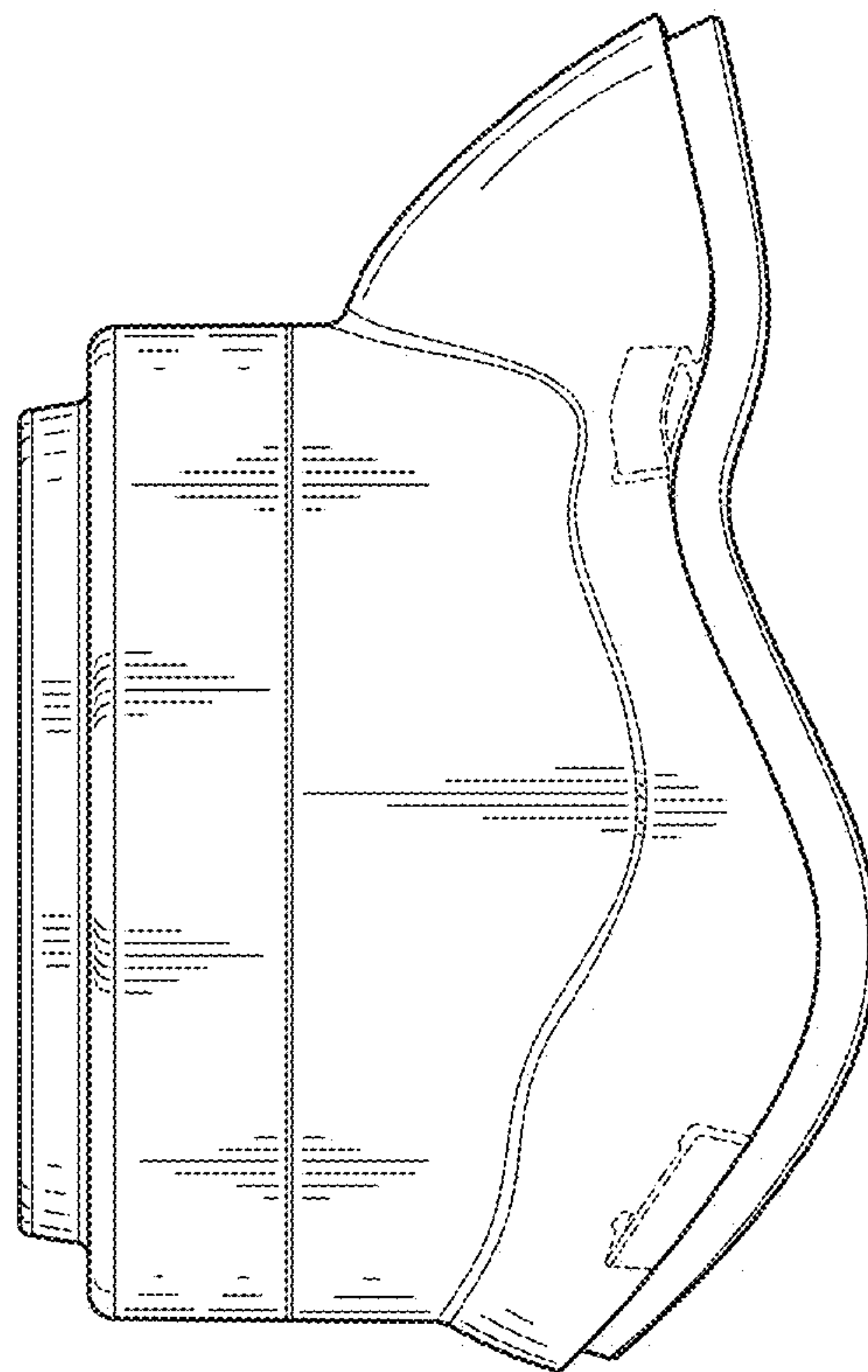


FIG. 12





**FIG. 13**



**FIG. 14**

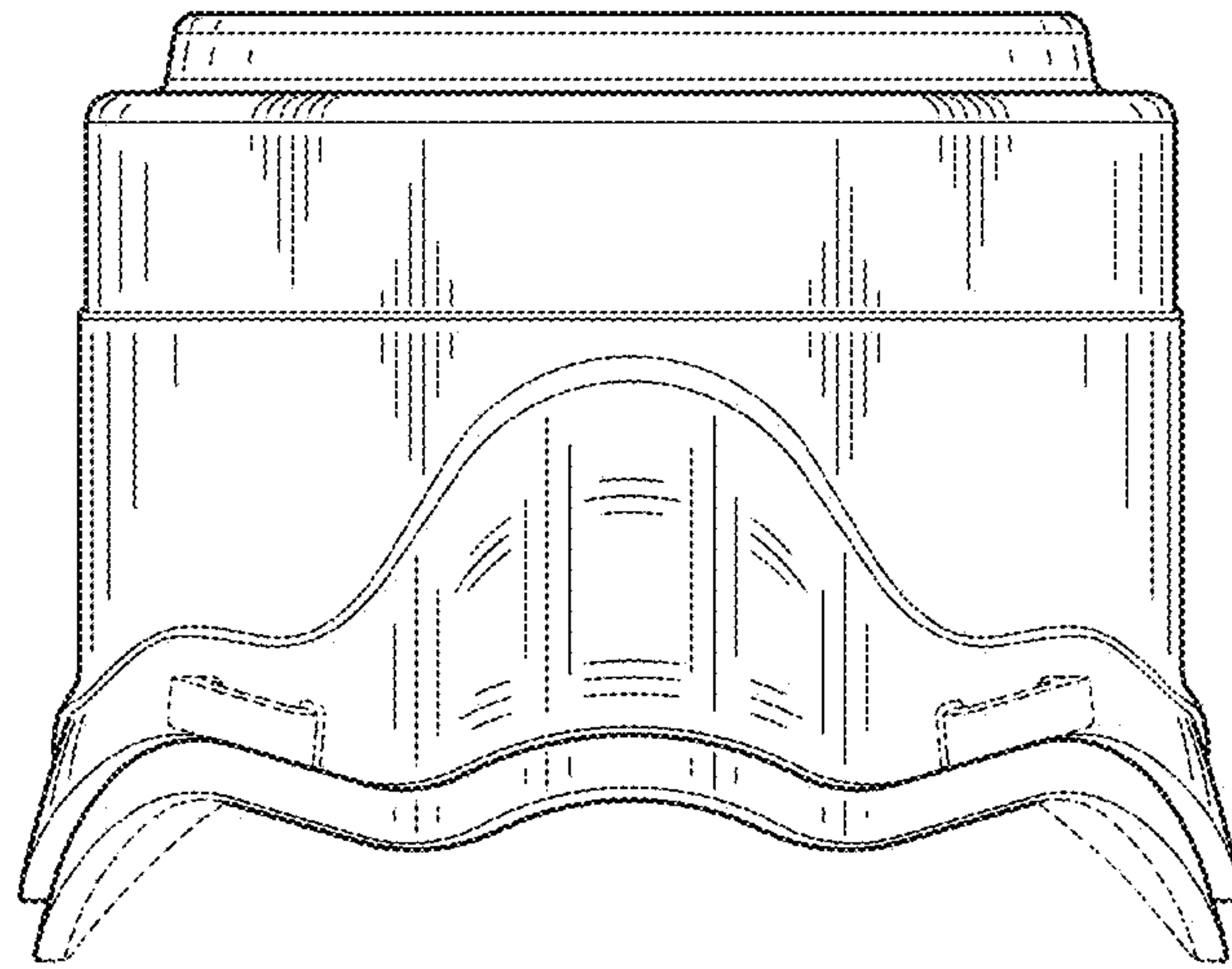


FIG. 15

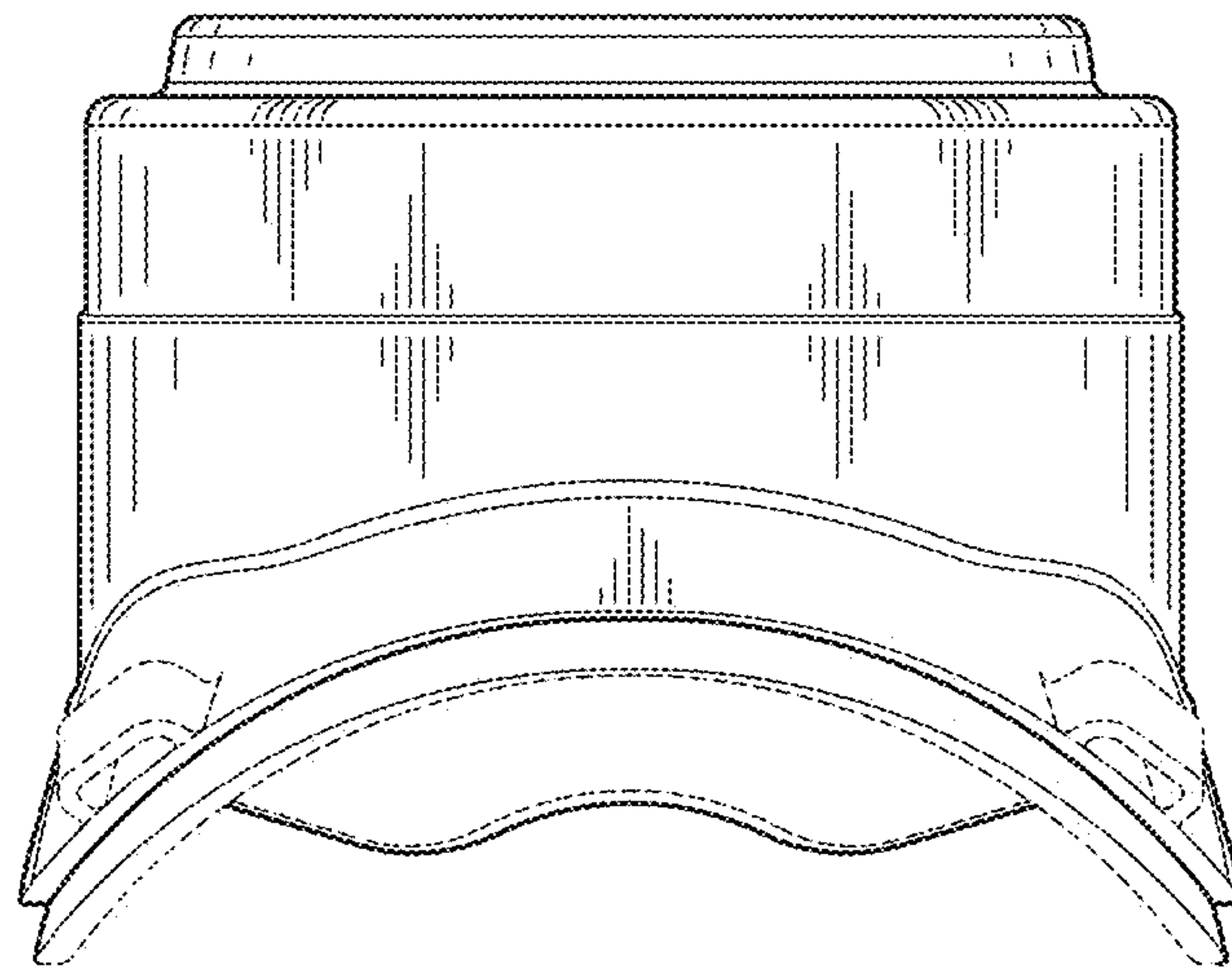


FIG. 16

UNITED STATES PATENT AND TRADEMARK OFFICE  
**CERTIFICATE OF CORRECTION**

PATENT NO. : D961,761 S  
APPLICATION NO. : 29/751969  
DATED : August 23, 2022  
INVENTOR(S) : Uday Kumar Vaidya

Page 1 of 1

It is certified that error appears in the above-identified patent and that said Letters Patent is hereby corrected as shown below:

On the Title Page

Insert the following header and paragraph succeeding the description:

--STATEMENT REGARDING FEDERALLY SPONSORED RESEARCH OR DEVELOPMENT  
This invention was made with government support under P42 ES027723 awarded by the National  
Institutes of Health. The government has certain rights in the invention.--

Signed and Sealed this  
Twenty-eighth Day of January, 2025



Coke Morgan Stewart  
*Acting Director of the United States Patent and Trademark Office*