

US00D961756S

(12) **United States Design Patent**
Horie et al.

(10) **Patent No.:** **US D961,756 S**

(45) **Date of Patent:** **** Aug. 23, 2022**

(54) **CASING FOR BLOWER**

(71) Applicant: **Mitsubishi Electric Corporation,**
Tokyo (JP)

(72) Inventors: **Ryo Horie,** Tokyo (JP); **Takahiro Yamatani,** Tokyo (JP); **Takuya Teramoto,** Tokyo (JP); **Hiroyasu Hayashi,** Tokyo (JP)

(73) Assignee: **Mitsubishi Electric Corporation,**
Tokyo (JP)

(**) Term: **15 Years**

(21) Appl. No.: **29/802,949**

(22) Filed: **Aug. 9, 2021**

Related U.S. Application Data

(62) Division of application No. 29/694,036, filed on Jun. 6, 2019, now Pat. No. Des. 938,570.

(30) **Foreign Application Priority Data**

Feb. 4, 2019 (JP) 2019-002143
Feb. 4, 2019 (JP) 2019-002144

(51) **LOC (13) Cl.** **23-03**

(52) **U.S. Cl.**
USPC **D23/411; D23/383**

(58) **Field of Classification Search**
USPC D23/370, 381, 382, 383, 386, 387, 393,
D23/411, 412; D32/15
CPC .. F04D 29/4226; F04D 29/281; F04D 29/441;
F04D 25/06; F04D 25/08; F04D 25/082
See application file for complete search history.

(56) **References Cited**

U.S. PATENT DOCUMENTS

2,329,696 A * 9/1943 Chester F04D 29/282
416/232
2,661,894 A * 12/1953 Stevenson F04D 29/626
417/353

3,390,832 A * 7/1968 Mullings F04D 29/626
417/352
3,407,995 A * 10/1968 Kinsworthy F04D 29/441
415/206
3,627,442 A * 12/1971 Brandt F04D 29/424
415/206
3,809,504 A * 5/1974 Goossens F04D 25/084
415/206
D308,417 S * 6/1990 Belanger D23/383
D344,795 S * 3/1994 Crowley, Jr. D23/393
D402,747 S * 12/1998 Yeatts, Jr. D23/311
D536,436 S * 2/2007 Nishizawa D23/393
D593,192 S * 5/2009 Spaggiari D23/370

(Continued)

Primary Examiner — Sharon S Oum

(74) *Attorney, Agent, or Firm* — Studebaker & Brackett
PC

(57) **CLAIM**

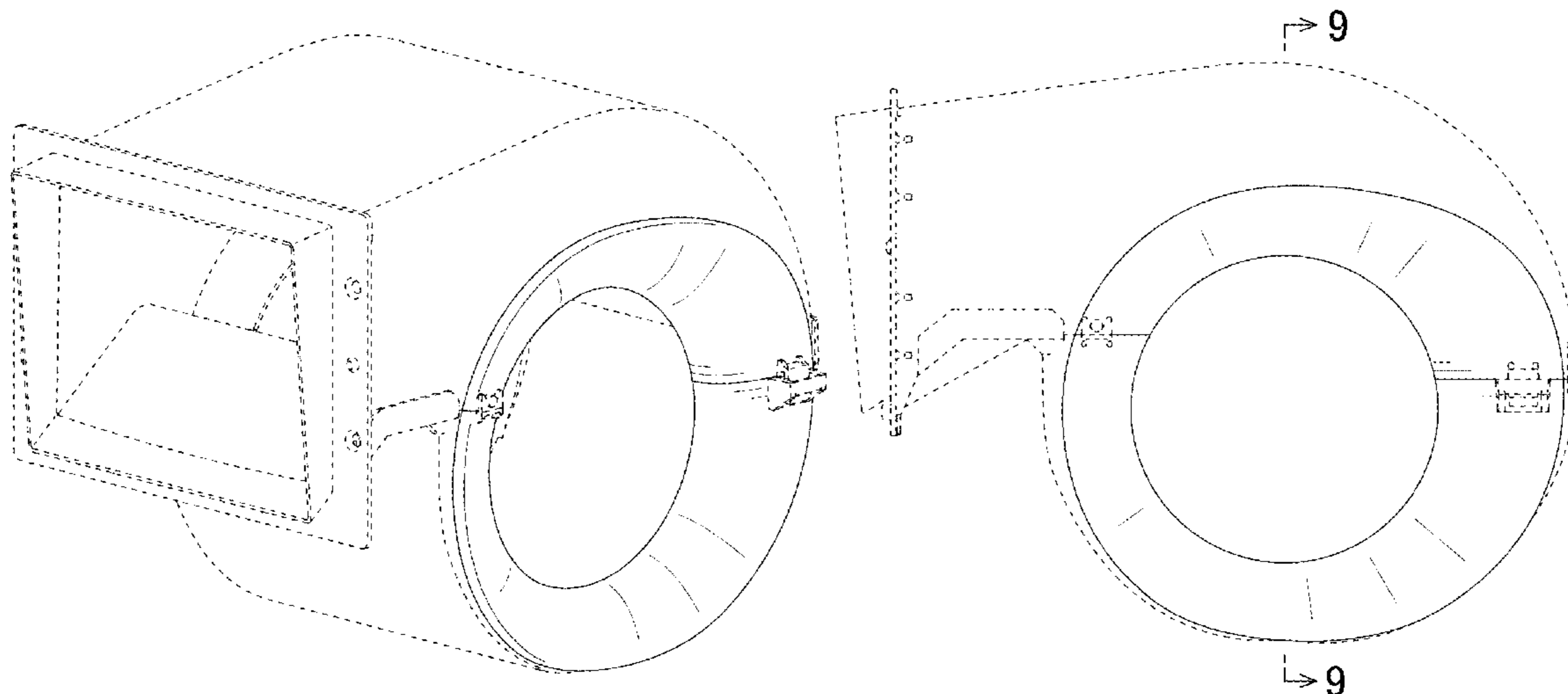
The ornamental design for a casing for blower, as shown and described.

DESCRIPTION

FIG. 1 is a first perspective view of the front, left, and top sides of a casing for blower showing our new design; FIG. 2 is a second perspective view of the front, right, and bottom sides thereof; FIG. 3 is a front view thereof; FIG. 4 is a rear view thereof; FIG. 5 is a left side view thereof; FIG. 6 is a right side view thereof; FIG. 7 is a top plan view thereof; FIG. 8 is a bottom plan view thereof; FIG. 9 is a cross-sectional view at 9-9; and, FIG. 10 is a cross-sectional view at 10-10.

The broken lines shown represent portions of the casing for blower and form no part of the claimed design.

1 Claim, 10 Drawing Sheets



(56)

References Cited

U.S. PATENT DOCUMENTS

D609,323 S *	2/2010	Spaggiari	D23/370	10,895,266 B2 *	1/2021	Pirouzpanah	F04D 29/462
D669,571 S *	10/2012	Penlesky	D23/393	D938,570 S *	12/2021	Horie	D23/370
8,578,727 B2 *	11/2013	Tsutsumi	F24F 11/30	D938,571 S *	12/2021	Michikami	D23/370
				D944,966 S *	3/2022	Horie	D23/370
9,017,011 B2 *	4/2015	Gatley, Jr.	F04D 25/0653	2012/0009059 A1 *	1/2012	Okamoto	F04D 29/441
			415/98				415/224
9,160,209 B2 *	10/2015	Feld	F24C 15/2042	2016/0025109 A1 *	1/2016	Katsumata	F04D 29/4213
D742,498 S *	11/2015	Zakula	D23/386				415/206
D754,835 S *	4/2016	Uehara	D23/371	2017/0051749 A1 *	2/2017	Cho	F04D 27/006
D764,651 S *	8/2016	Zakula	D23/386	2019/0120520 A1 *	4/2019	Miyata	F24F 11/88
D775,720 S *	1/2017	Liu	D23/370	2019/0242612 A1 *	8/2019	Teramoto	F24F 1/0033
9,777,735 B2 *	10/2017	Post	F04D 25/0653	2019/0376522 A1 *	12/2019	Liu	F04D 29/422
10,030,667 B2 *	7/2018	Pirouzpanah	F04D 25/08	2020/0191163 A1 *	6/2020	Rathgeb	F04D 17/06
D831,817 S *	10/2018	Pirouzpanah	D23/383	2020/0200183 A1 *	6/2020	Peppard	F01D 25/24
10,302,096 B2 *	5/2019	Kang	F04D 29/281	2020/0318887 A1 *	10/2020	Tsutsumi	F25D 21/14
10,323,853 B2 *	6/2019	Zakula	F04D 29/4226	2021/0033104 A1 *	2/2021	Teramoto	F04D 29/4226
10,718,351 B2 *	7/2020	Kono	F04D 29/4226	2021/0079923 A1 *	3/2021	Kusada	F04D 29/626
				2021/0140445 A1 *	5/2021	Teramoto	F04D 29/4226
				2021/0388847 A1 *	12/2021	Hayashi	F24F 7/007
				2022/0106968 A1 *	4/2022	Teramoto	F04D 29/4213

* cited by examiner

FIG. 1

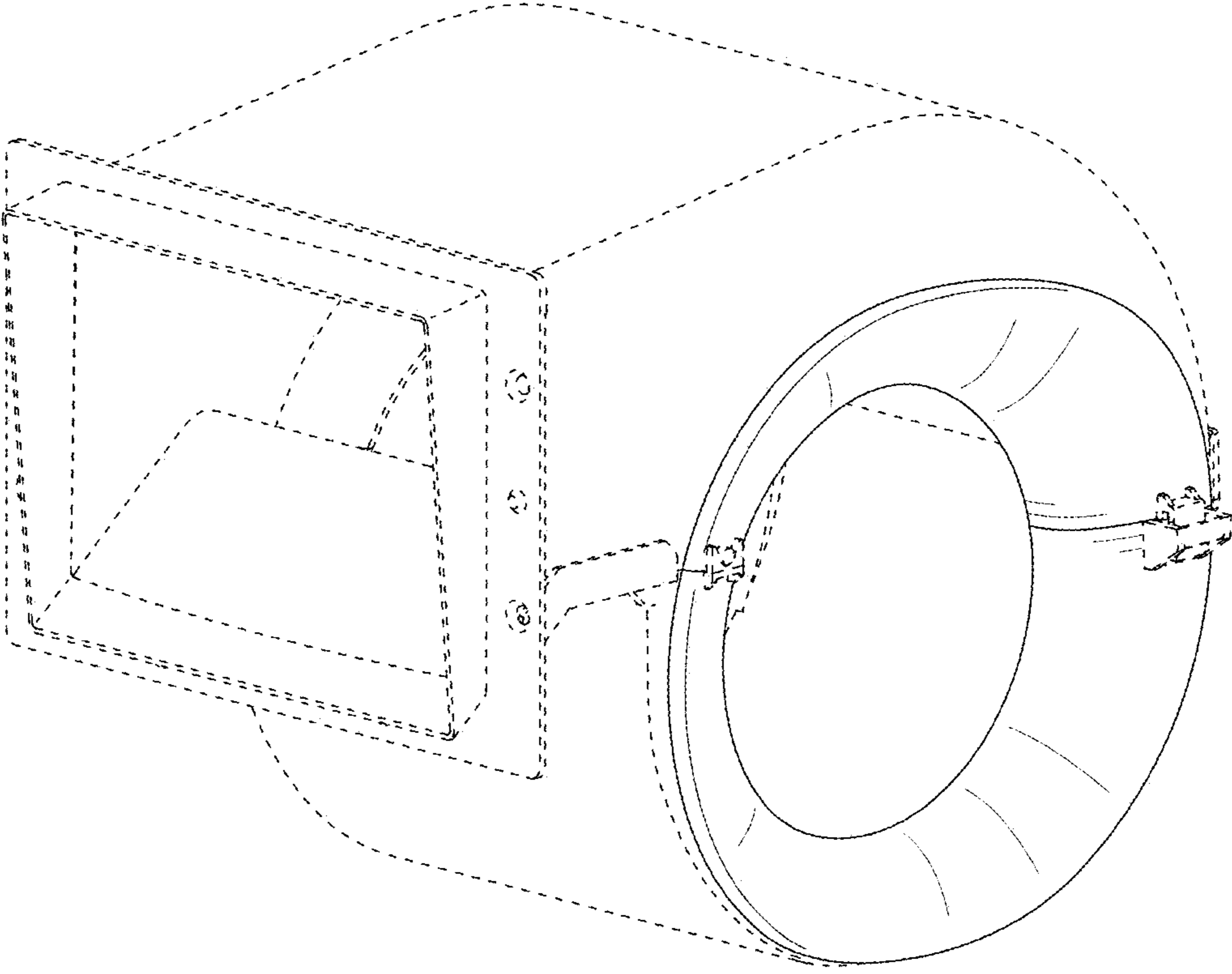


FIG. 2

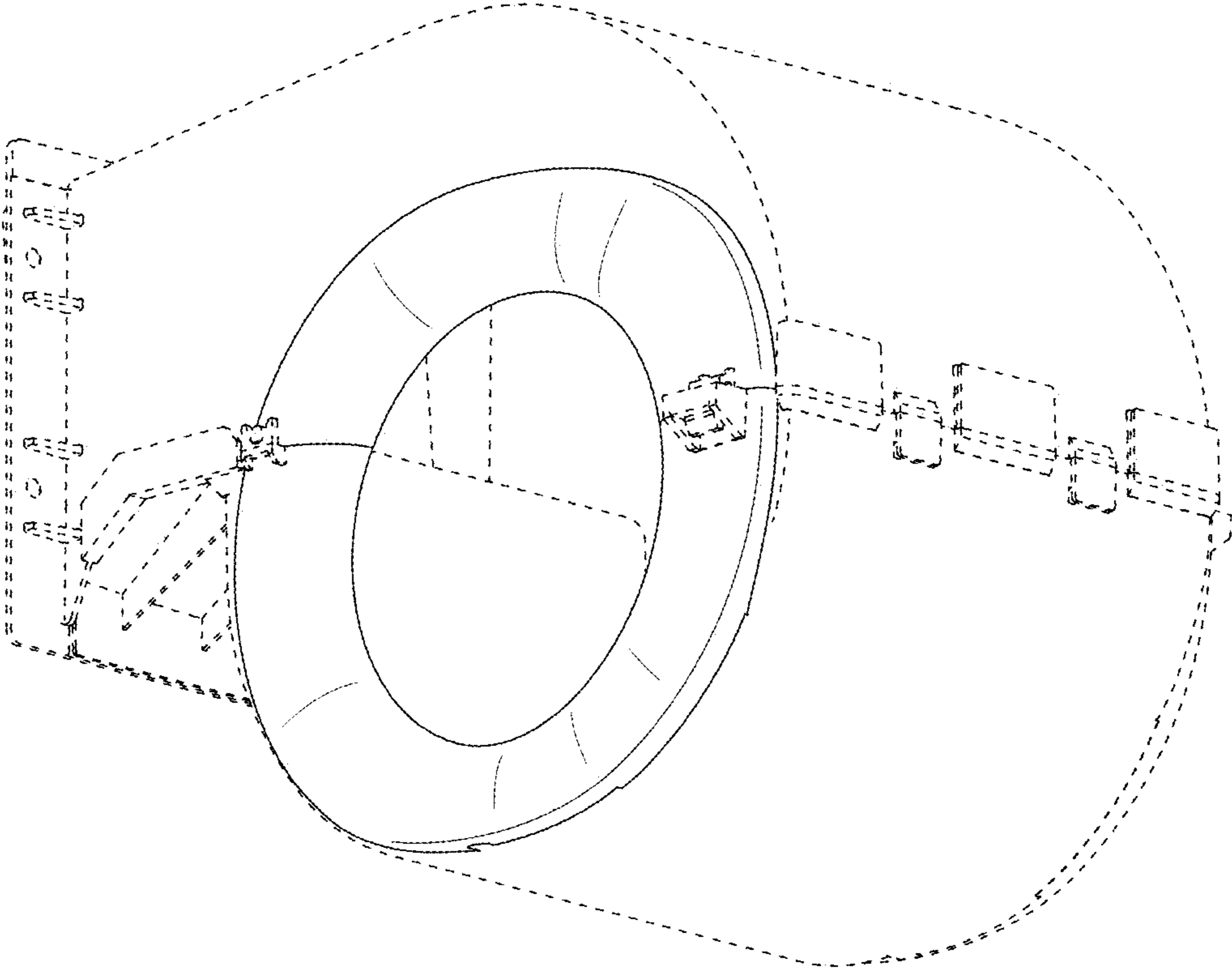


FIG. 3

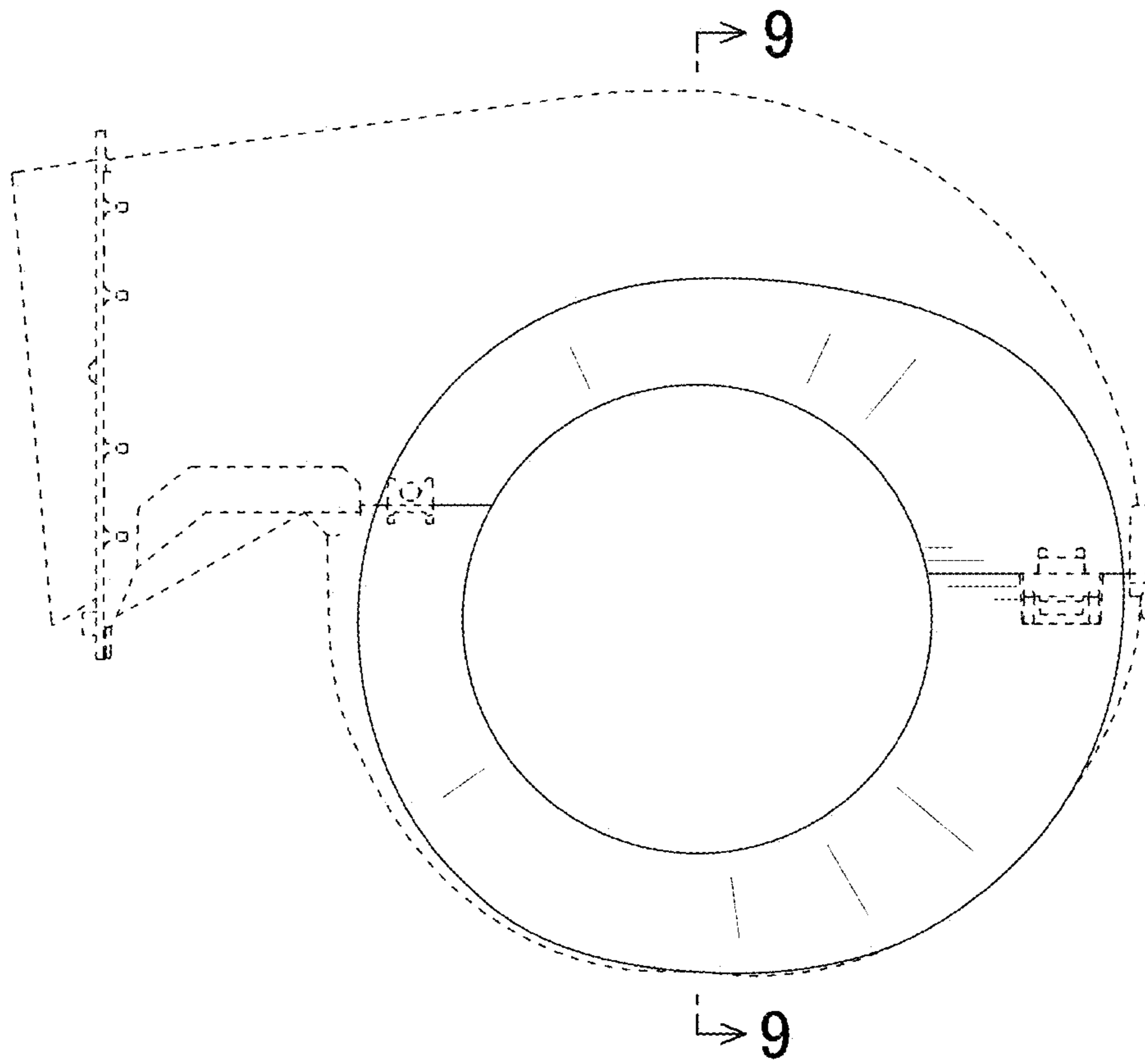


FIG. 4

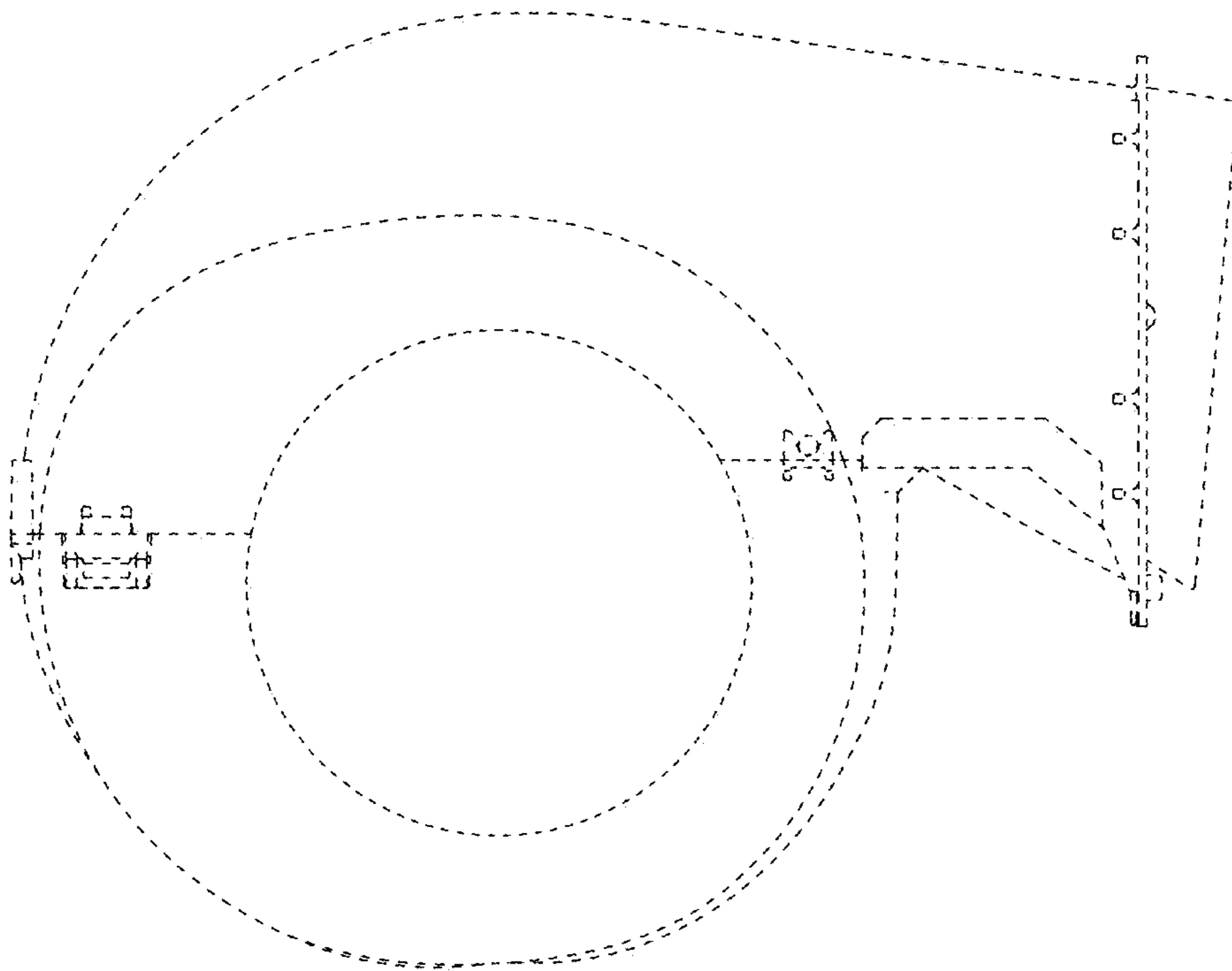


FIG. 5

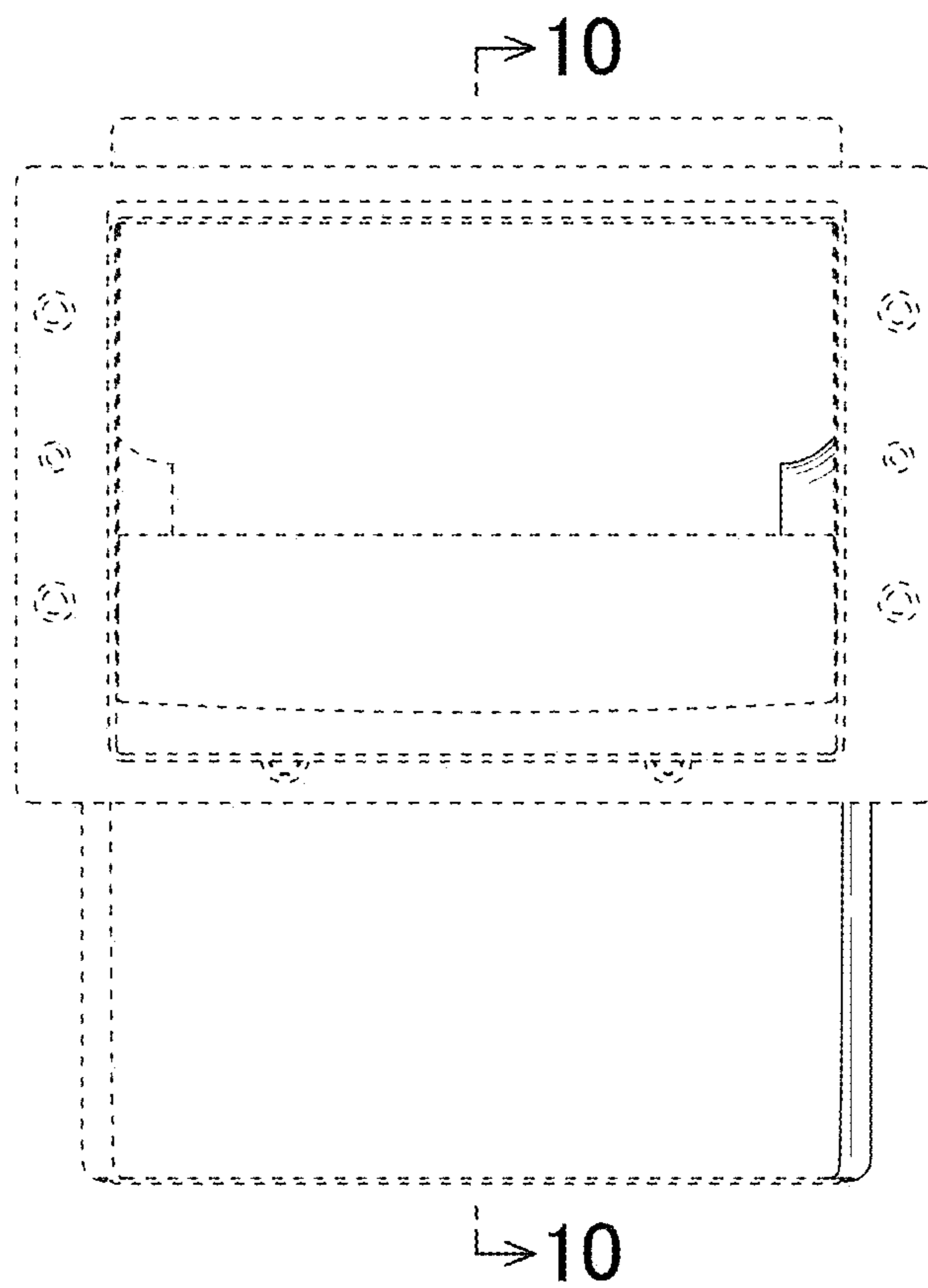


FIG. 6

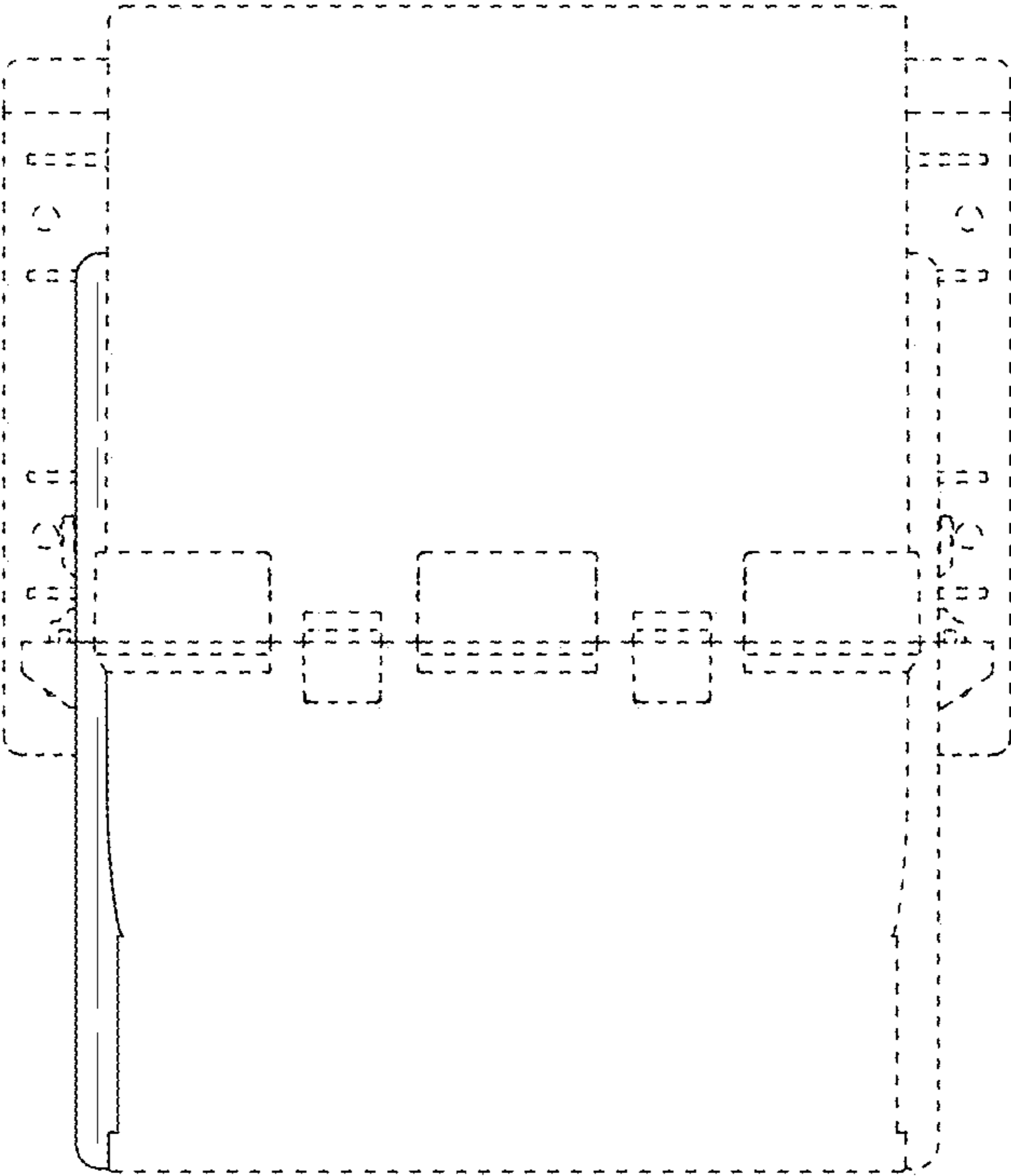


FIG. 7

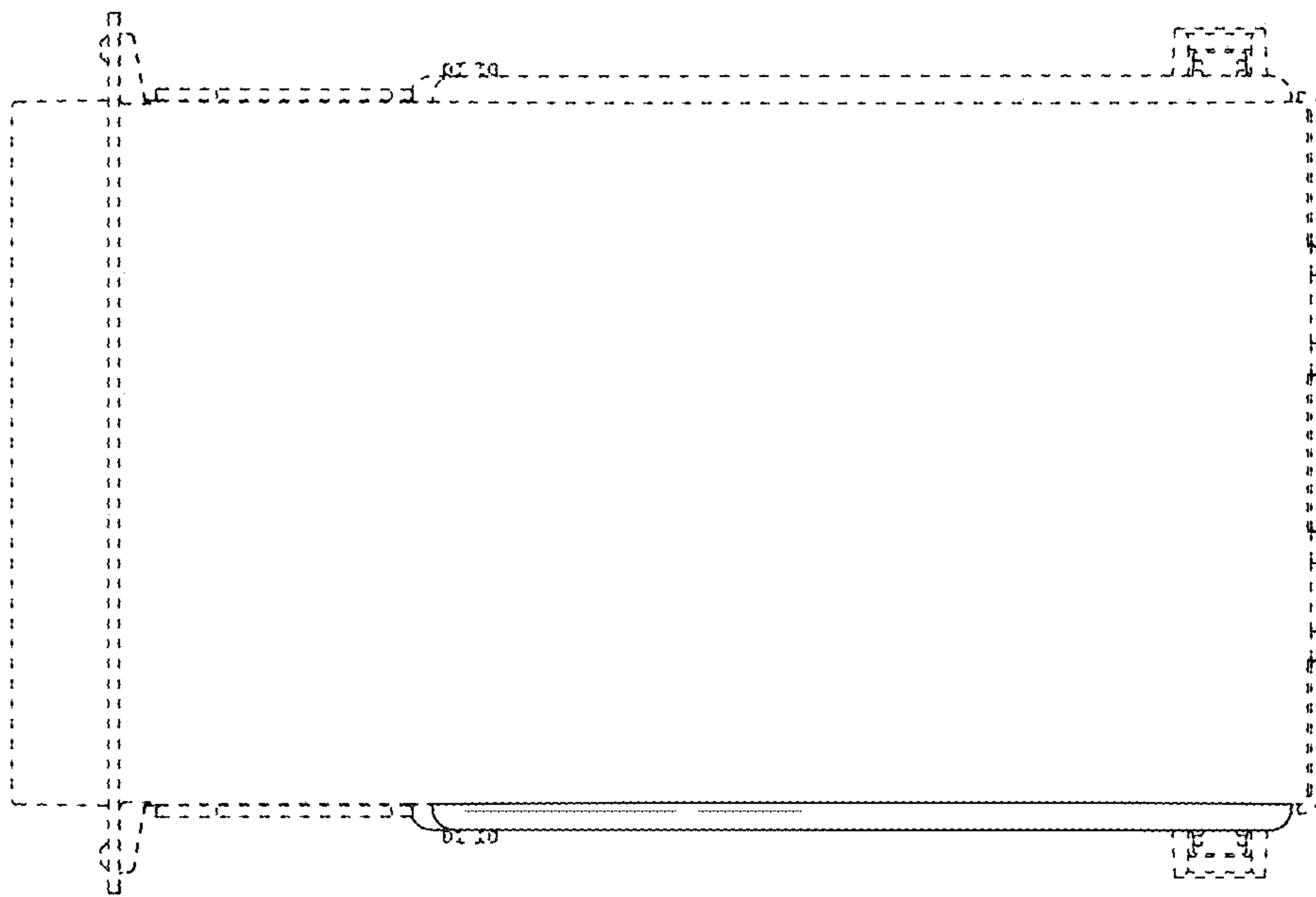


FIG. 8

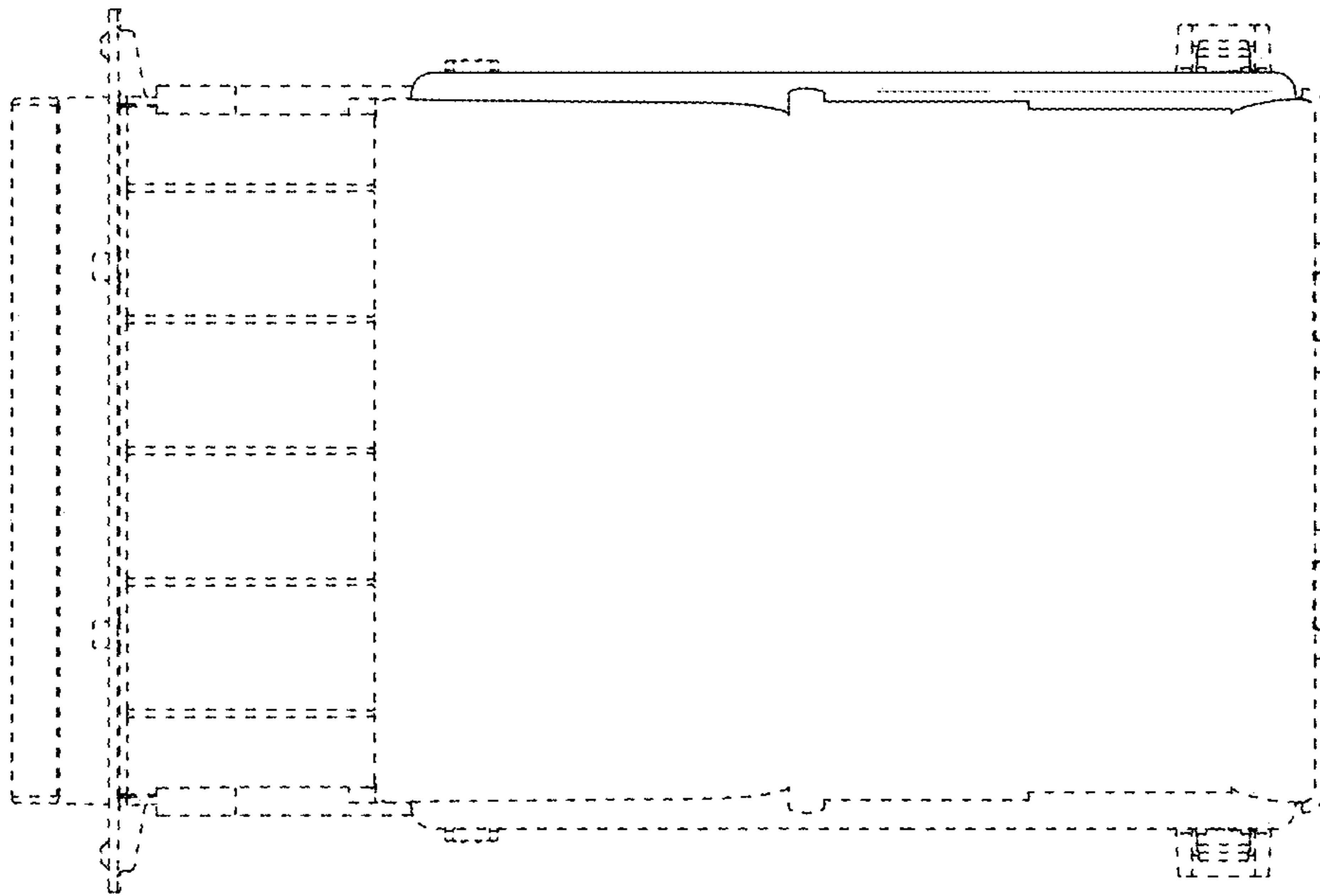


FIG. 9

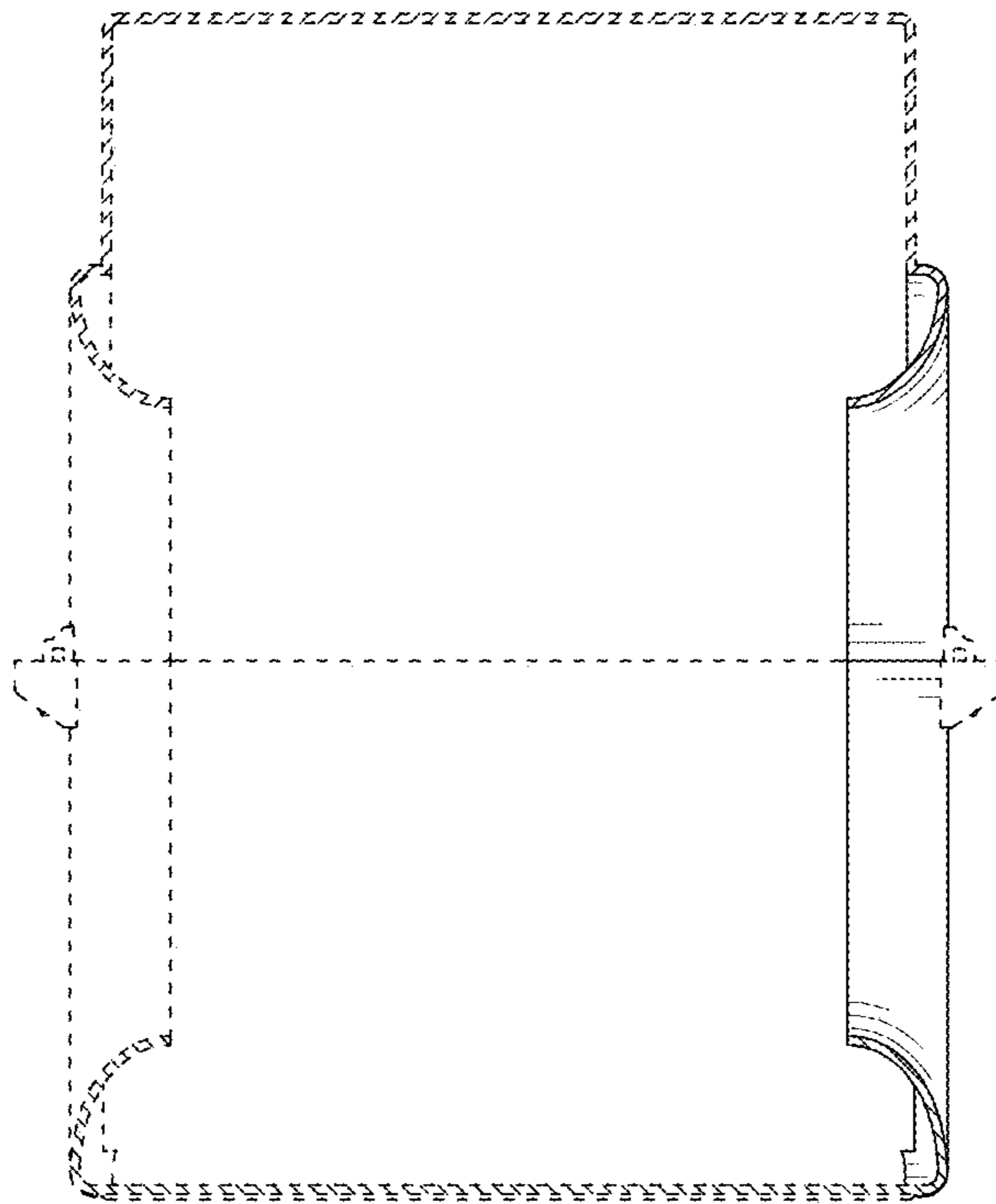


FIG. 10

