



US00D961753S

(12) **United States Design Patent**
Neal et al.

(10) **Patent No.:** **US D961,753 S**

(45) **Date of Patent:** **** Aug. 23, 2022**

(54) **CLIP-ON FAN**

(71) Applicants: **Daniel Byron Neal**, Zephyrhills, FL
(US); **James Hollis Neal**, Saint Cloud,
FL (US)

(72) Inventors: **Daniel Byron Neal**, Zephyrhills, FL
(US); **James Hollis Neal**, Saint Cloud,
FL (US)

(**) Term: **15 Years**

(21) Appl. No.: **29/721,670**

(22) Filed: **Jan. 22, 2020**

(51) **LOC (13) Cl.** **23-04**

(52) **U.S. Cl.**
USPC **D23/370**

(58) **Field of Classification Search**
USPC D23/328, 332, 335-337, 354, 370, 371,
D23/378-383, 385, 387-393, 411-412
CPC F04D 25/088; F04D 29/388; F04D 29/34;
F04D 25/08
See application file for complete search history.

(56) **References Cited**

U.S. PATENT DOCUMENTS

D229,183 S * 11/1973 Papst D23/370
D366,522 S * 1/1996 Lagace D23/370

D387,859 S * 12/1997 Ukai D23/385
D404,122 S * 1/1999 Hayashi D23/385
D457,232 S * 5/2002 Miura D23/385
D811,568 S * 2/2018 Terasaki D23/351
D824,013 S * 7/2018 Hu D23/370
D853,552 S * 7/2019 Branham D23/371
D882,749 S * 4/2020 Vo D23/383
2015/0226443 A1 * 8/2015 Zakula F24F 13/20
454/346
2019/0032953 A1 * 1/2019 Branham F24F 13/20

* cited by examiner

Primary Examiner — Sharon S Oum

(74) *Attorney, Agent, or Firm* — Smith & Hopen, P.A.;
Paul Murty

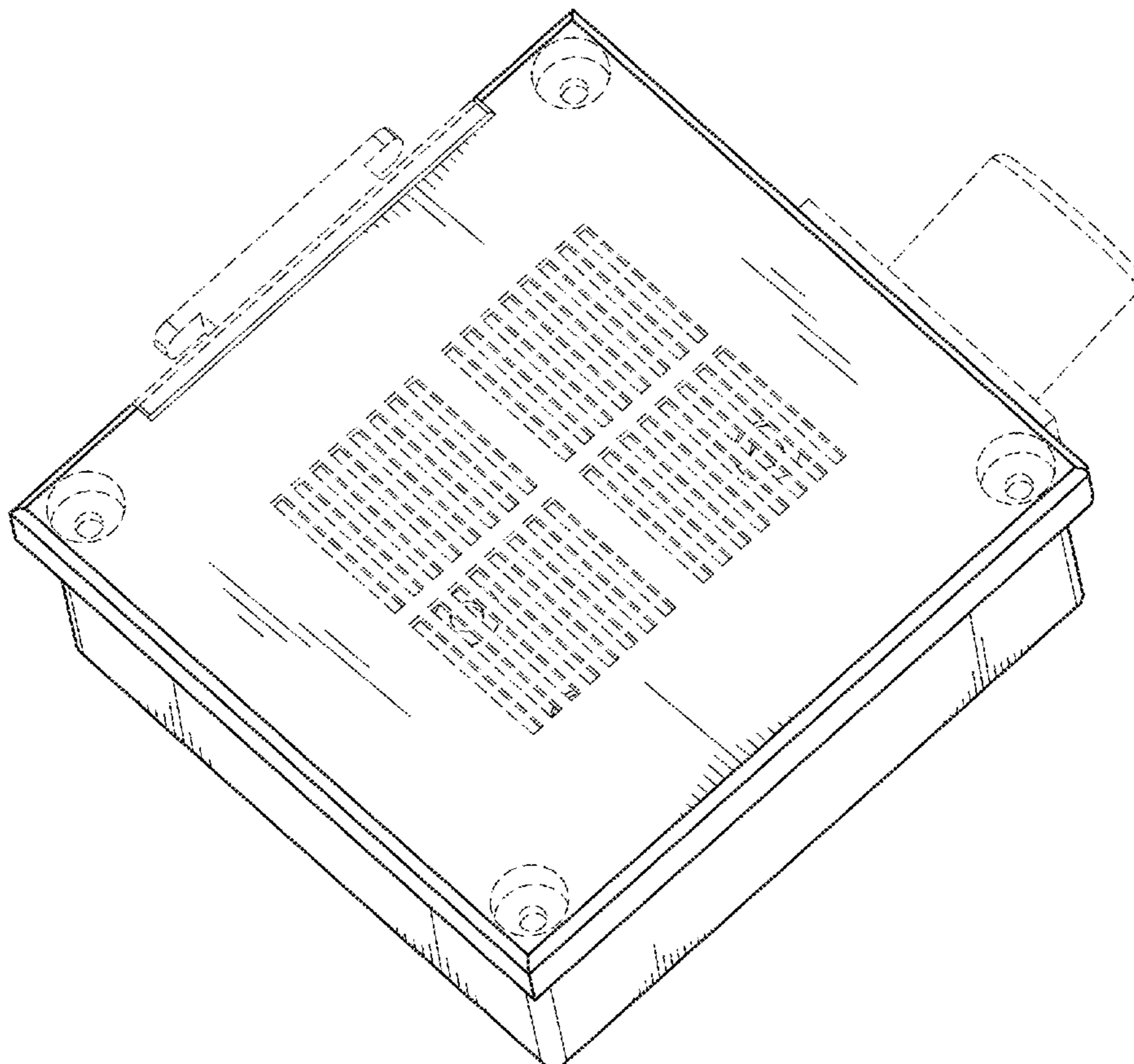
(57) **CLAIM**

The ornamental design for a clip-on fan, as shown and
described.

DESCRIPTION

FIG. 1 is a perspective view of a clip-on fan;
FIG. 2 is a front elevation view thereof;
FIG. 3 is a rear elevation view thereof;
FIG. 4 is a right-side view thereof;
FIG. 5 is a left-side view thereof;
FIG. 6 is a top plan view thereof; and,
FIG. 7 is a bottom plan view thereof.
The broken lines illustrate portions of the clip-on fan that
form no part of the claimed design.

1 Claim, 5 Drawing Sheets



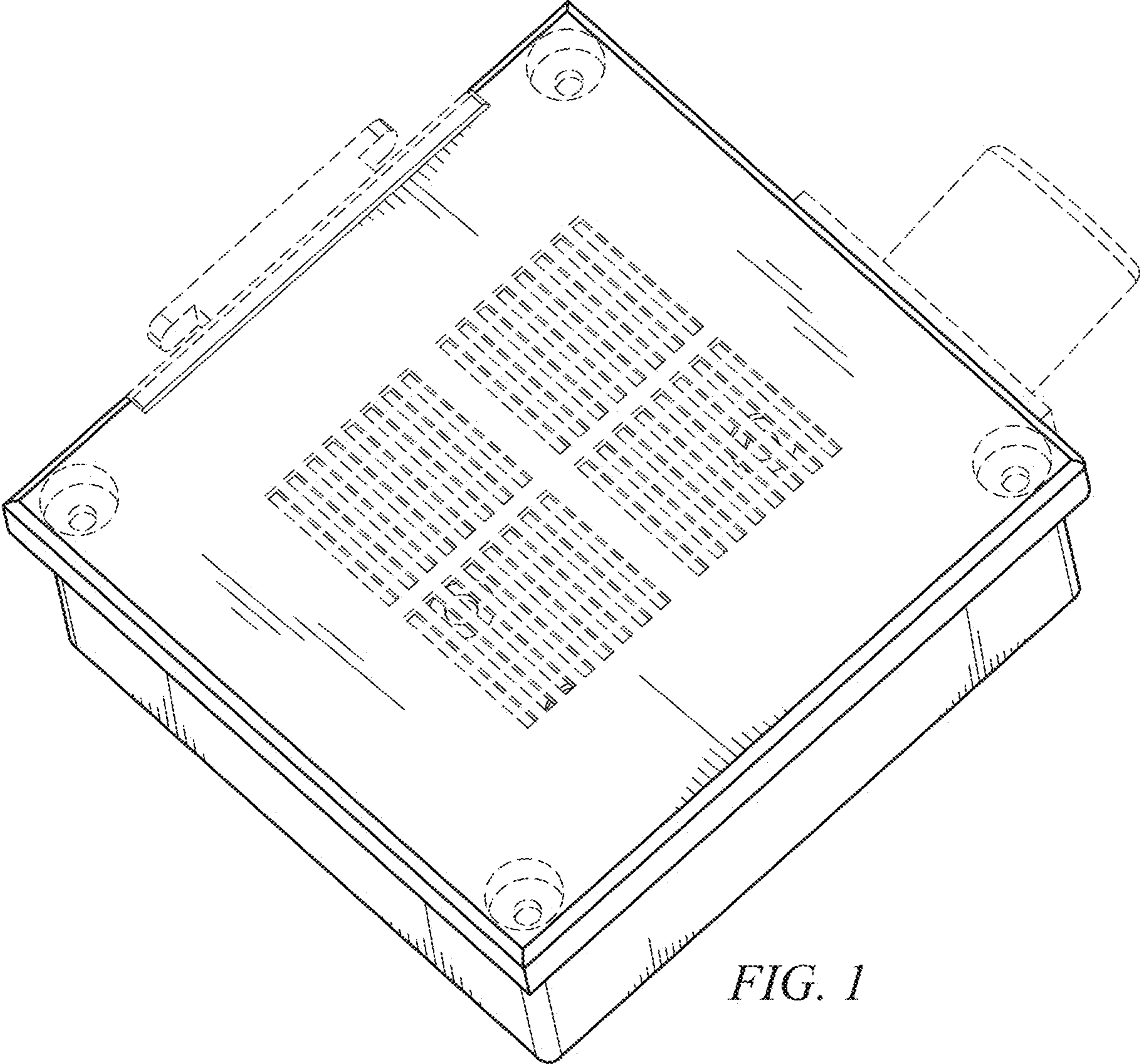


FIG. 1

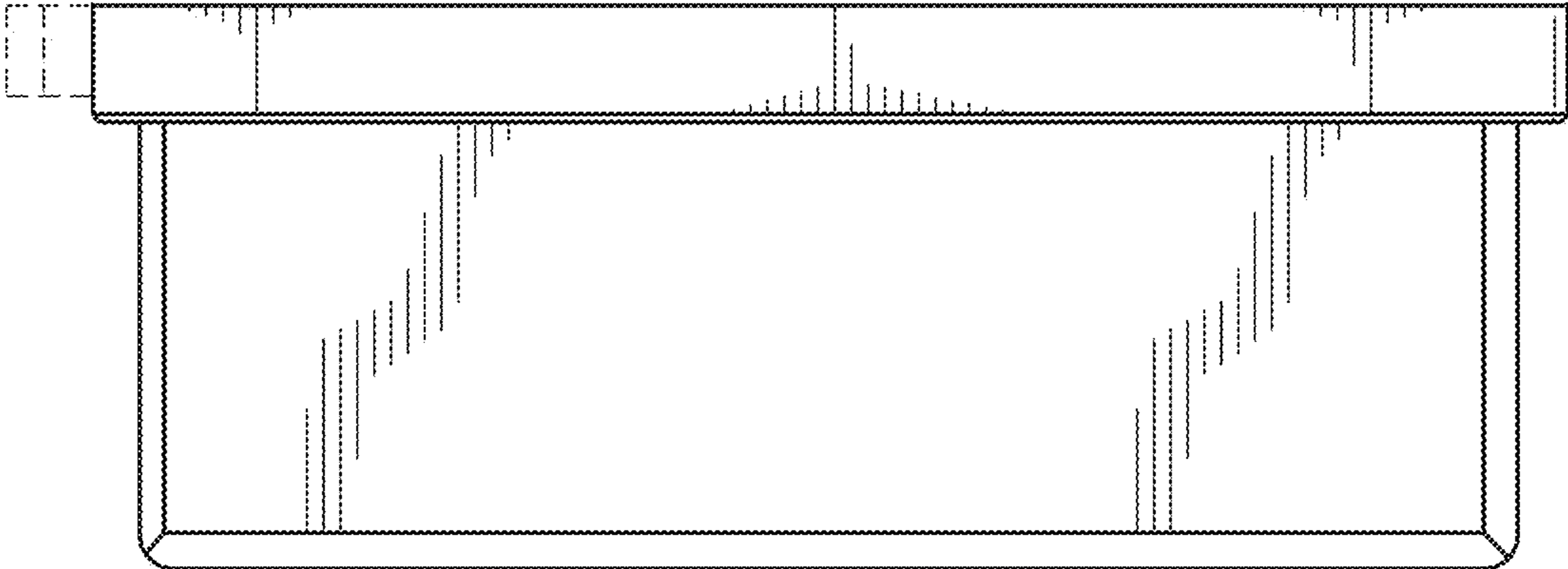


FIG. 2

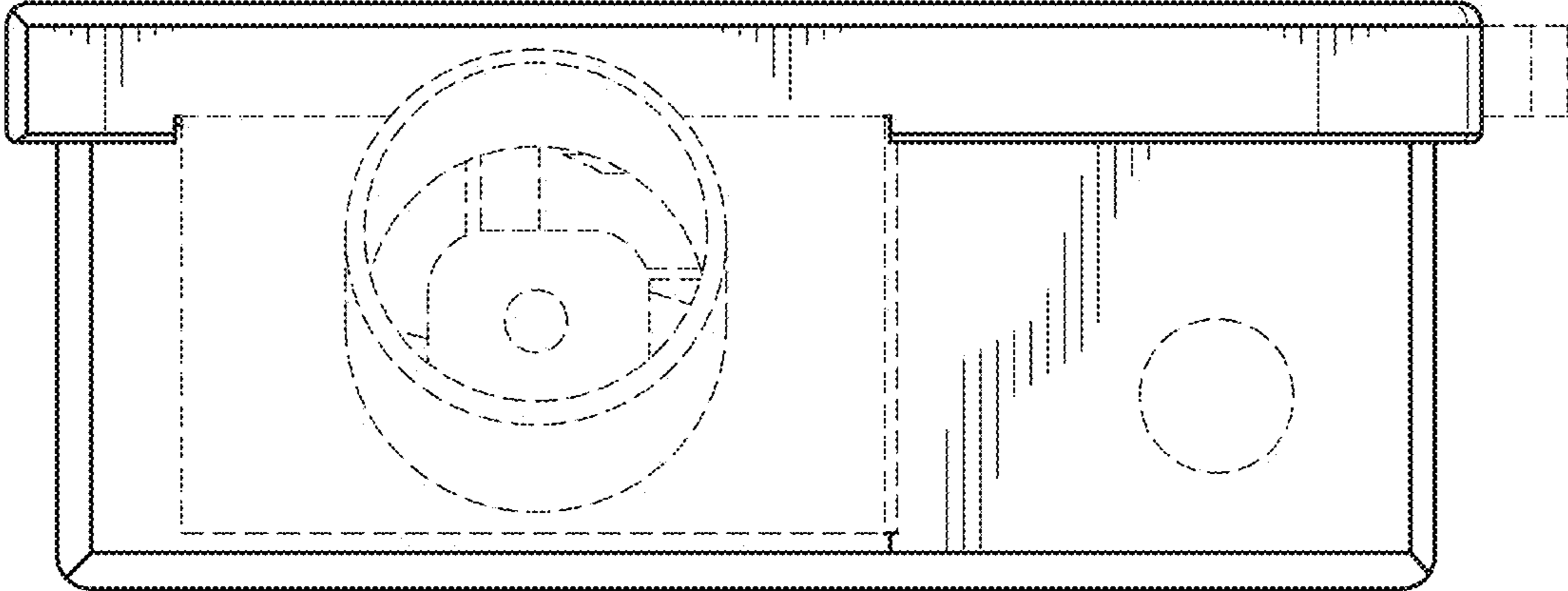


FIG. 3

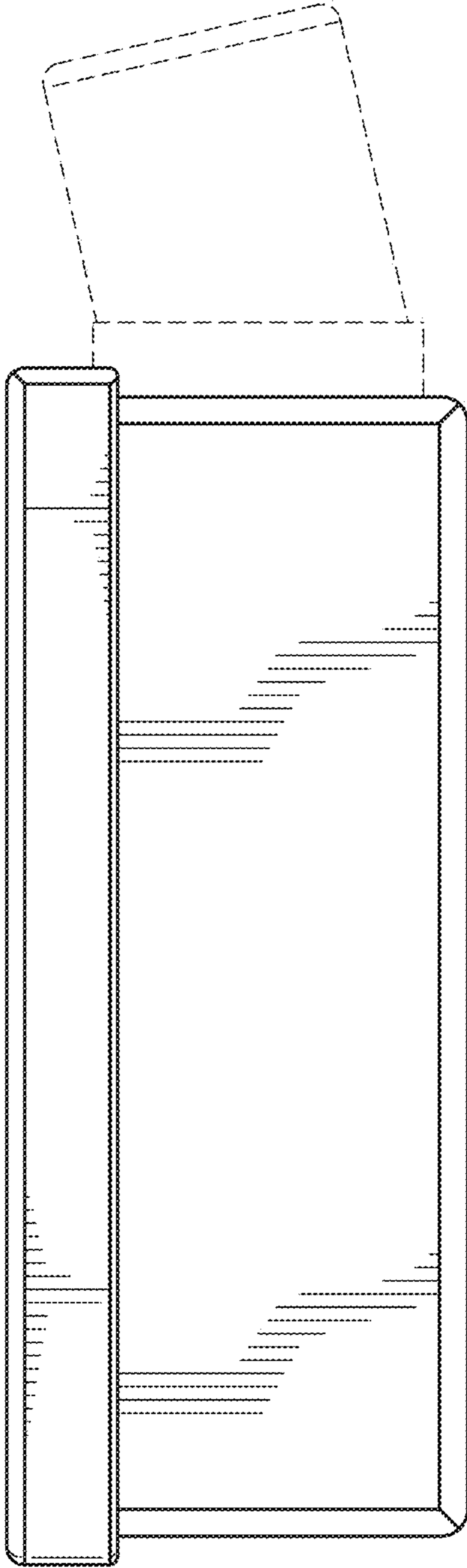


FIG. 4

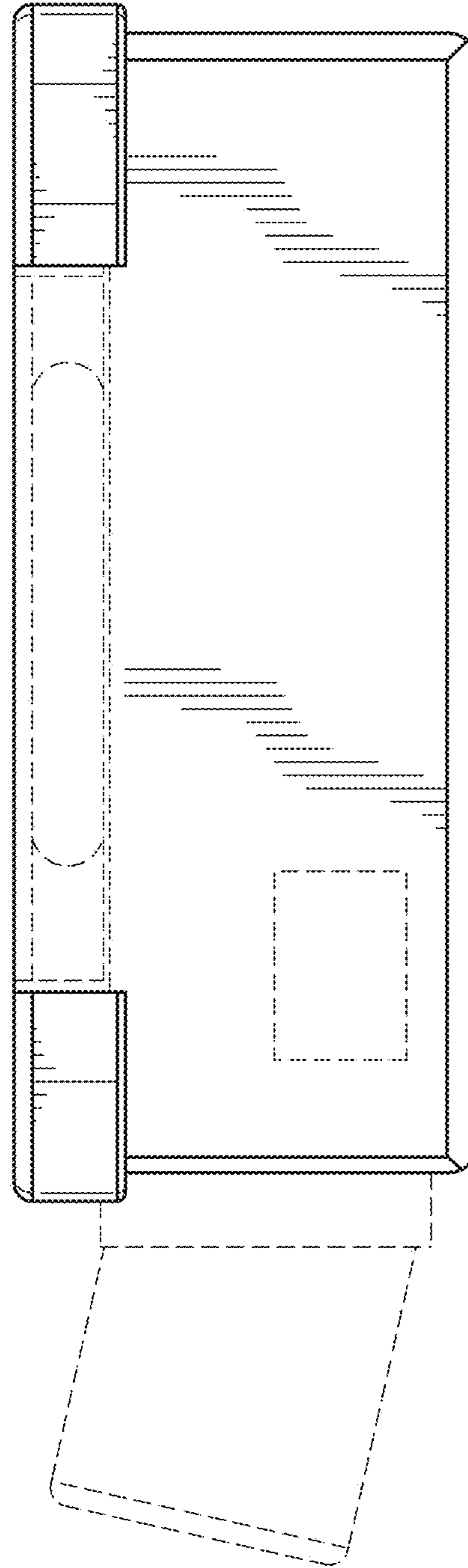


FIG. 5

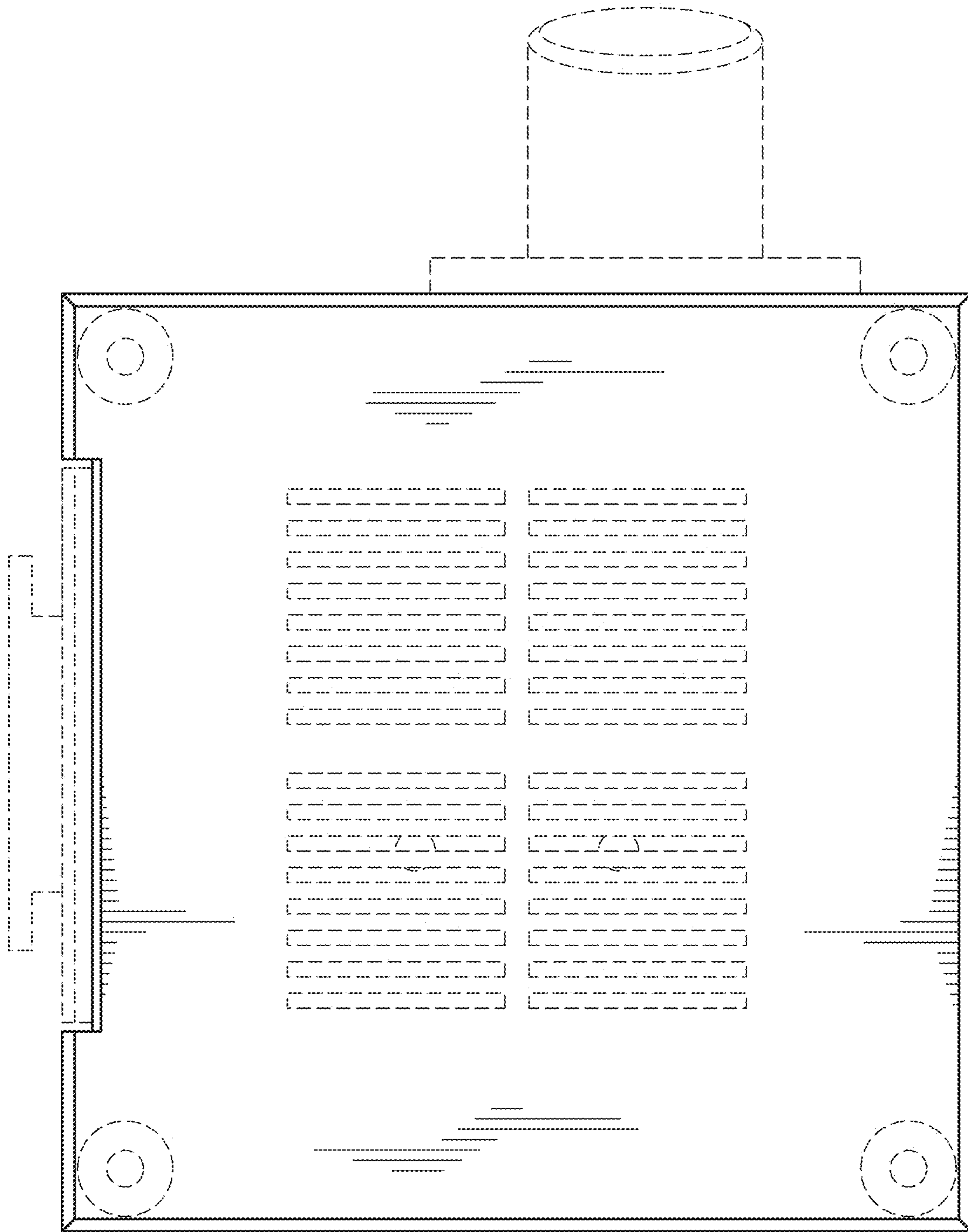


FIG. 6

