



US00D961752S

(12) **United States Design Patent** (10) **Patent No.:** **US D961,752 S**
Bing et al. (45) **Date of Patent:** **** Aug. 23, 2022**

(54) **AIR FRESHENER**

(56) **References Cited**

(71) Applicant: **Cintas Corporate Services, Inc.**,
Cincinnati, OH (US)

(72) Inventors: **Richard R. Bing**, West Chester, OH
(US); **Megan Kathryn Helms**,
Hamilton, OH (US); **David Steven**
Mesko, Wyoming, OH (US); **Michael**
E. Berger, Brooklyn, NY (US); **Adem**
Önalán, Jersey City, NJ (US); **Marco**
C. Perry, Brooklyn, NY (US)

(73) Assignee: **Cintas Corporate Services, Inc.**,
Cincinnati, OH (US)

U.S. PATENT DOCUMENTS

4,301,095 A	11/1981	Mettler et al.	
5,527,493 A	6/1996	McElfresh et al.	
D432,223 S *	10/2000	King	D23/366
8,170,405 B2	5/2012	Harris	
8,385,730 B2	2/2013	Bushman et al.	
D681,791 S *	5/2013	Jorgensen	D23/366
9,155,812 B1	10/2015	Bourne	
D797,087 S *	9/2017	Burton	D14/242
9,889,220 B1	2/2018	Yip et al.	
D856,501 S *	8/2019	Netkin	D23/366
D859,625 S	9/2019	Yeats et al.	
D866,741 S	11/2019	Tran et al.	
D866,742 S	11/2019	Garcia et al.	
D866,744 S	11/2019	Gobber et al.	
D886,773 S *	6/2020	Zheng	D14/204

(Continued)

(**) Term: **15 Years**

Primary Examiner — Gino Colan

Assistant Examiner — David O'Brien

(21) Appl. No.: **29/755,401**

(74) *Attorney, Agent, or Firm* — Wood Herron & Evans
LLP

(22) Filed: **Oct. 20, 2020**

(51) **LOC (13) Cl.** **23-04**

(52) **U.S. Cl.**
USPC **D23/366**

(57) **CLAIM**

(58) **Field of Classification Search**
USPC D7/509, 510; D11/143, 152; D14/195,
D14/204, 221, 228, 242; D23/207, 208,
D23/209, 213, 223, 333, 335, 336, 342,
D23/351, 352, 353, 355, 356, 359, 360,
D23/362, 364–366, 370; D24/108, 112,
D24/129, 206; D26/26, 37, 40, 46, 49
CPC F24F 6/00; F24F 6/06; F24F 6/12; F24F
6/14; F24F 1/00; F24F 1/01; F24F 1/02;
F24F 1/022; F24F 7/065; A47G 7/06;
A61M 11/02; A61M 11/041; A61L 9/01;
A61L 9/00; A61L 9/03; A61L 9/12; A61L
9/122; A61L 2209/11; A61L 2209/14;
A61L 2209/133; Y10S 261/17; Y10S
261/88; Y10S 261/89; B01D 46/10;
B01D 46/0005; B01D 46/2411

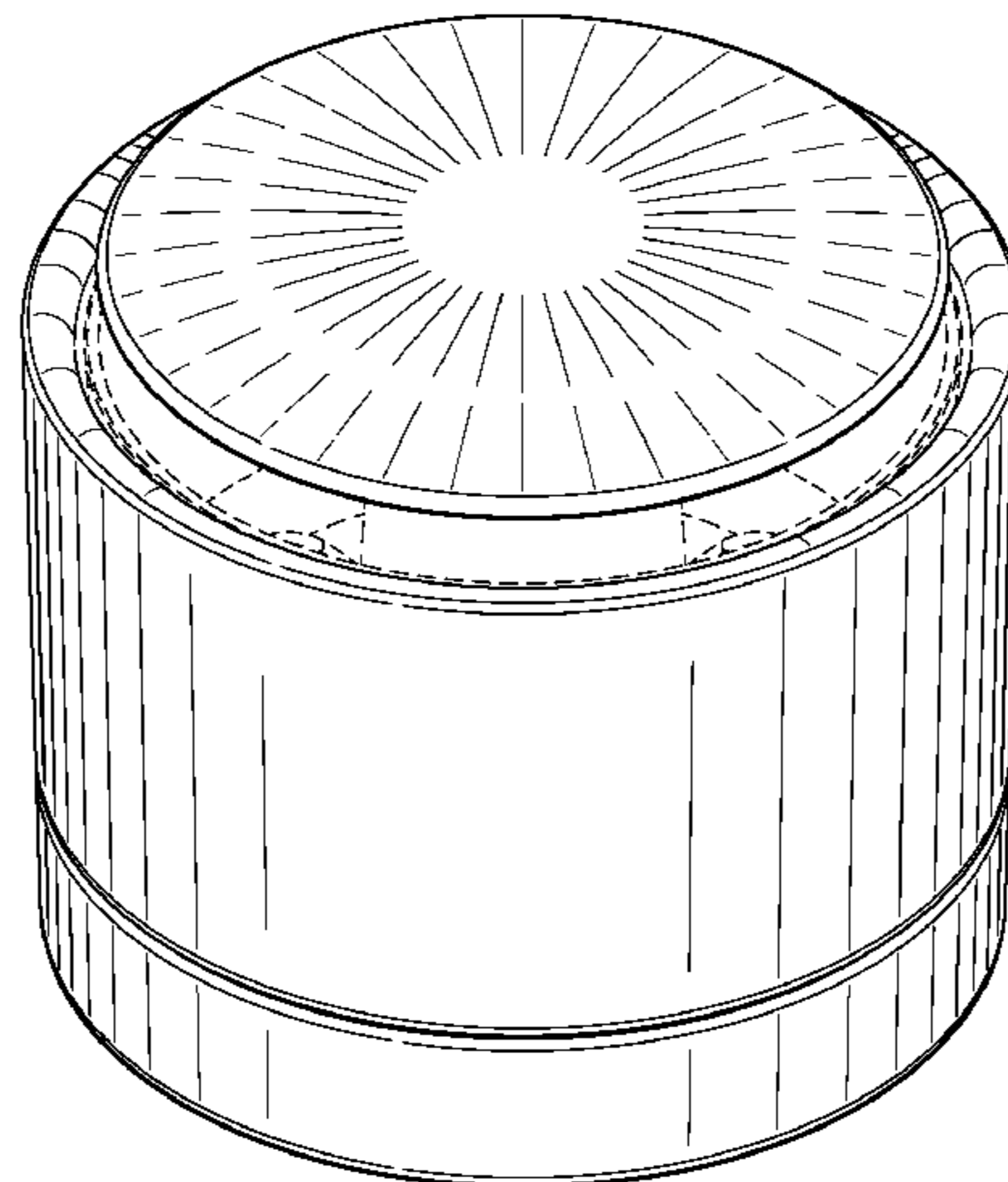
The ornamental design for an air freshener, as shown and
described.

DESCRIPTION

FIG. 1 is an isometric view of an air freshener showing our
new design;
FIG. 2 is a front elevation view thereof, the rear view being
identical;
FIG. 3 left side elevation view thereof, the right side view
being identical;
FIG. 4 is a top plan view thereof; and,
FIG. 5 is a bottom plan view thereof.

(Continued)

See application file for complete search history.



The broken lines shown in the figures are for the purpose of illustrating portions of the air freshener and form no part of the claimed design.

1 Claim, 3 Drawing Sheets

(56)

References Cited

U.S. PATENT DOCUMENTS

D913,475 S *	3/2021	Wu	D23/366
D916,267 S *	4/2021	Chen	D23/366
2022/0133935 A1 *	5/2022	Bing	A61L 9/01 239/58

* cited by examiner

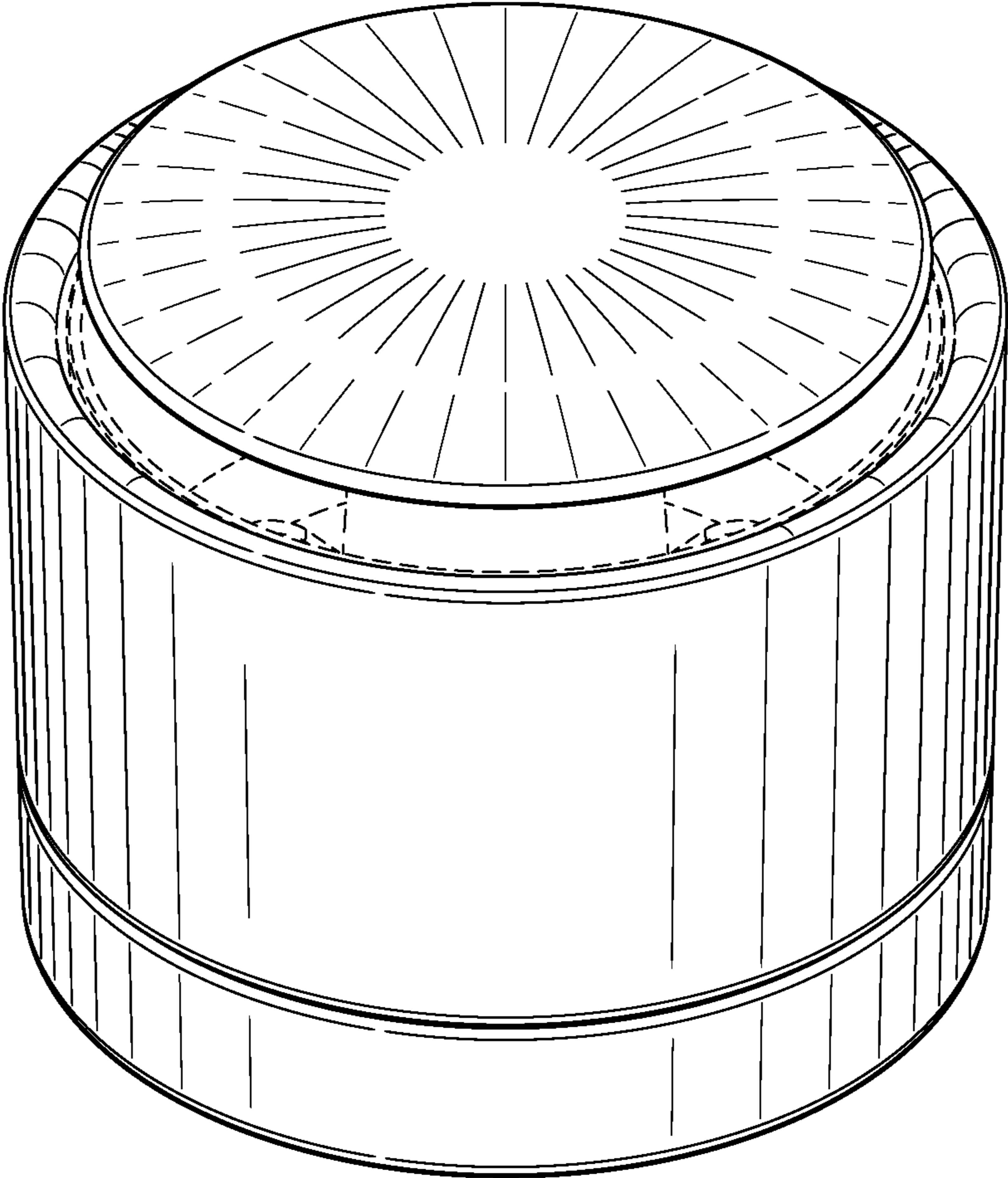


FIG. 1

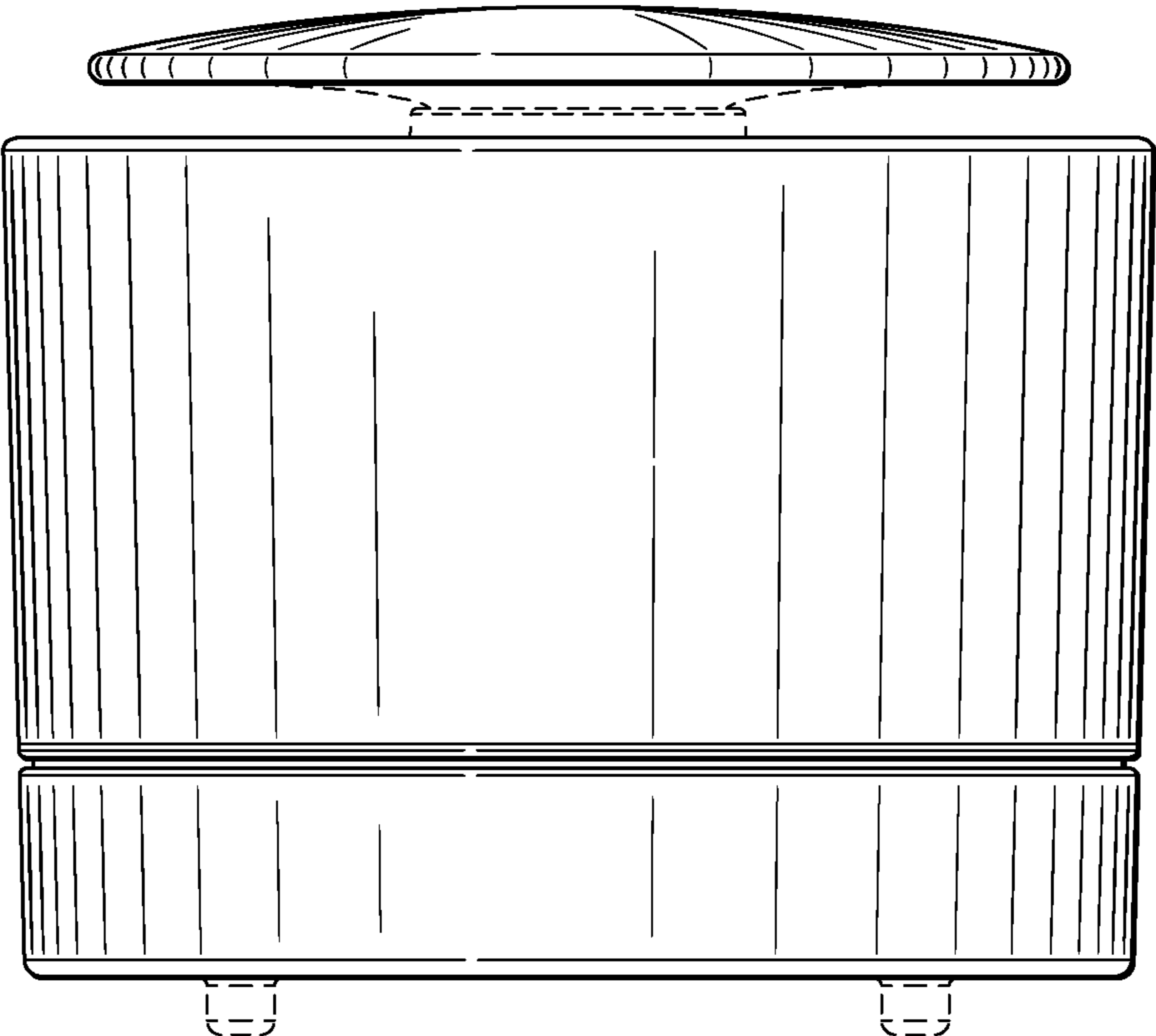


FIG. 2

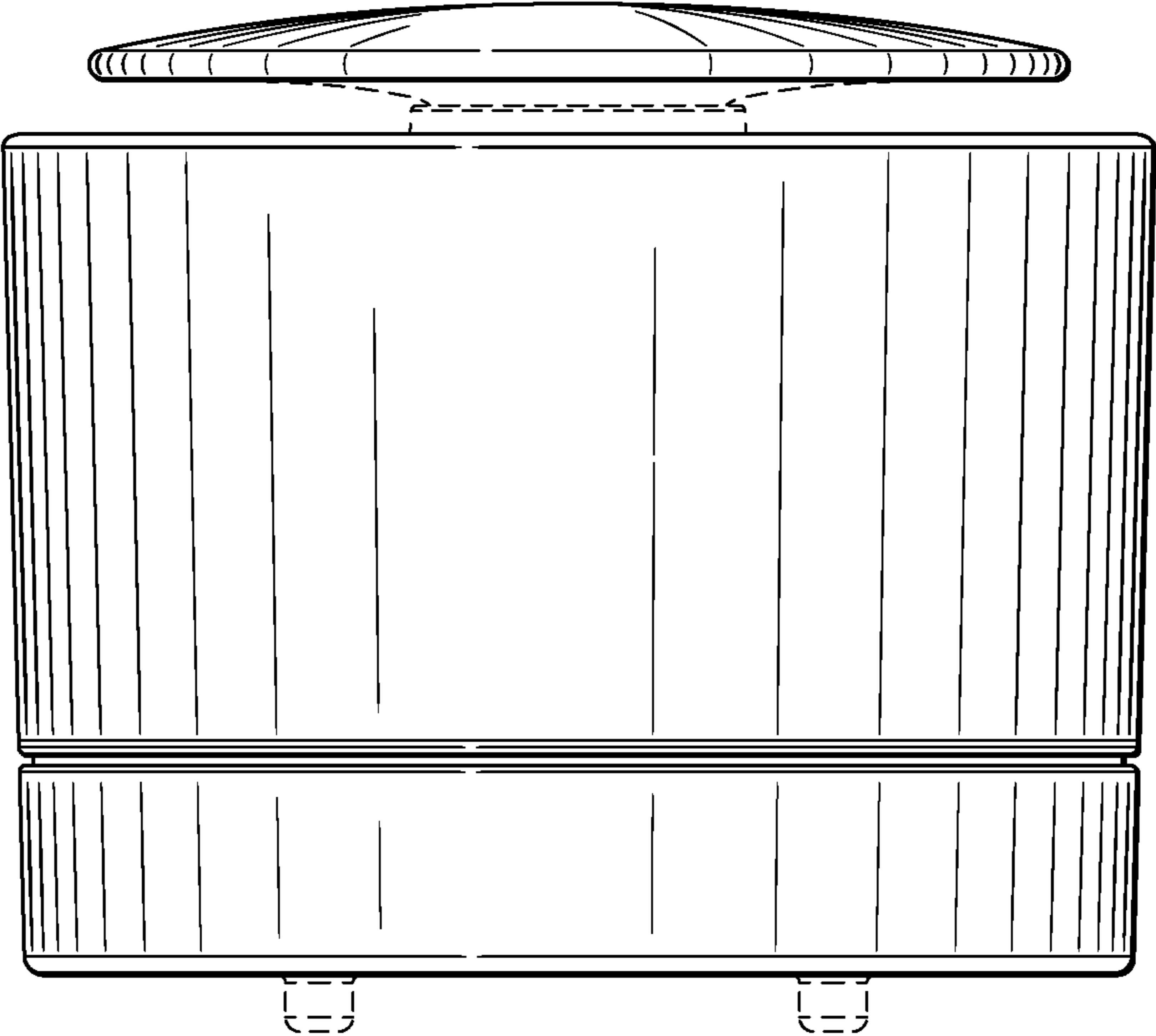


FIG. 3

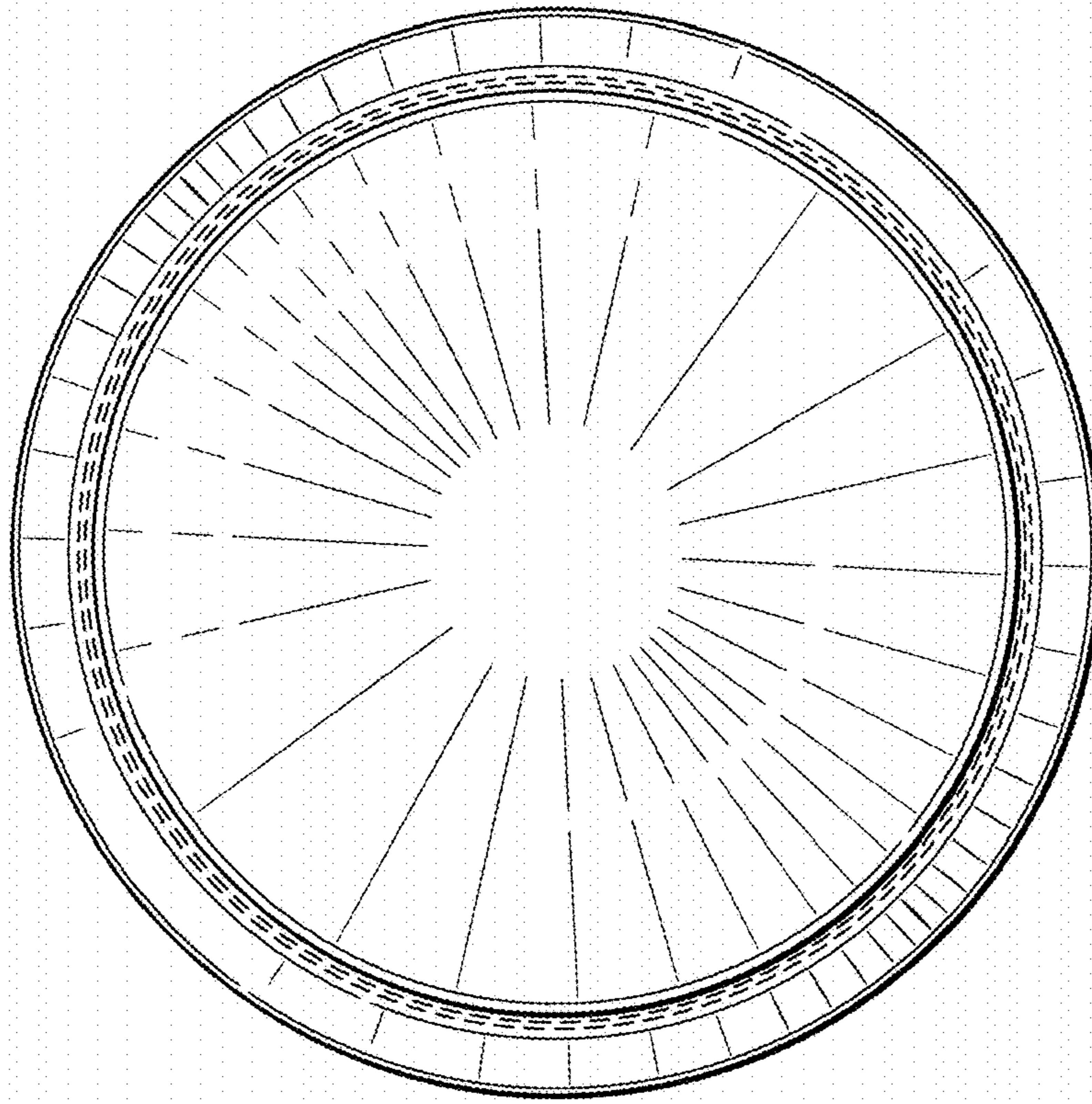


FIG. 4

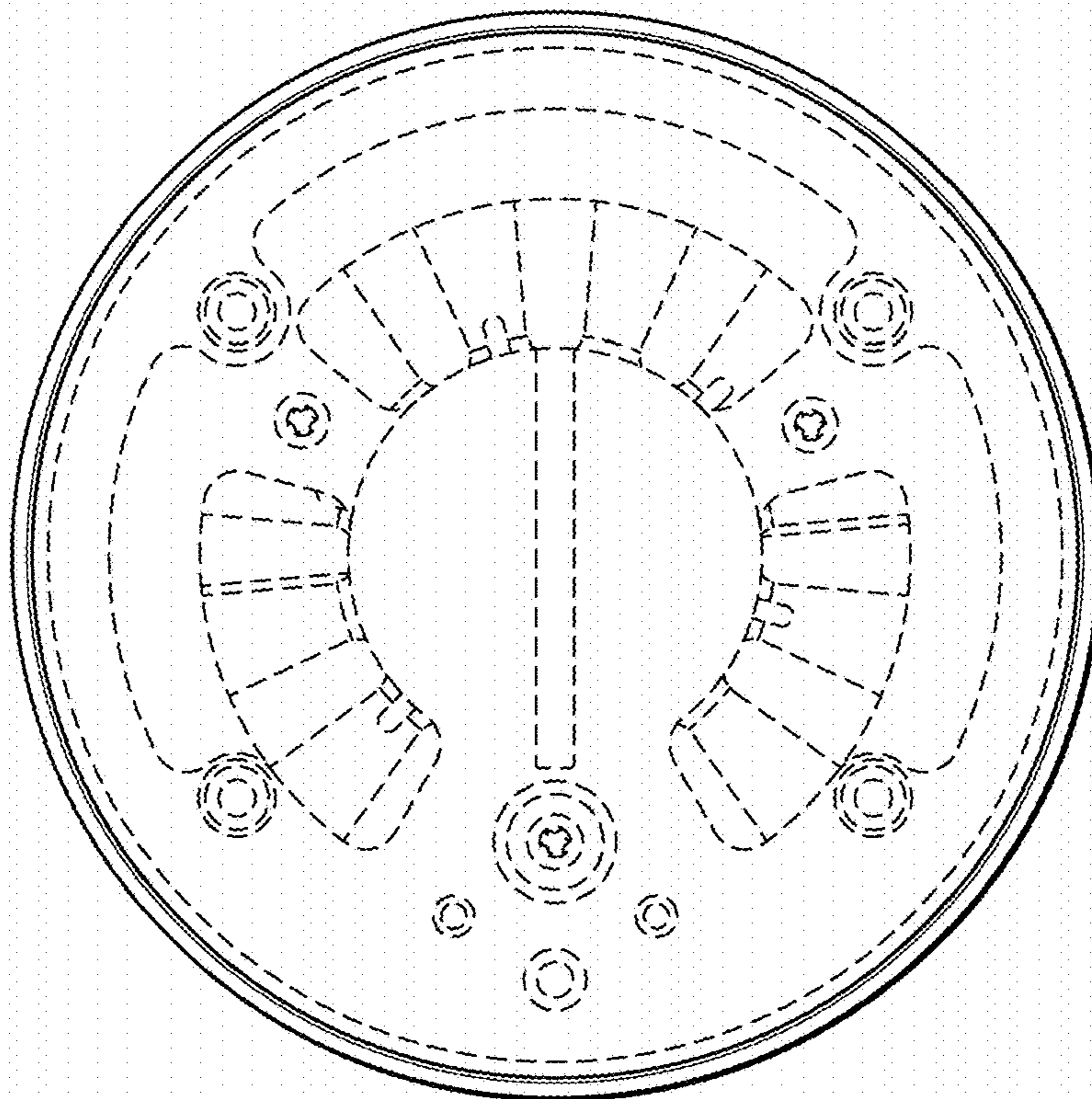


FIG. 5