



US00D961750S

(12) **United States Design Patent** (10) **Patent No.:** **US D961,750 S**
Wang (45) **Date of Patent:** **** Aug. 23, 2022**

(54) **AIR PURIFIER**
(71) Applicant: **Ciran Wang**, Guangdong (CN)
(72) Inventor: **Ciran Wang**, Guangdong (CN)
(73) Assignee: **Ciran Wang**, Jiangmen (CN)
(**) Term: **15 Years**

(21) Appl. No.: **29/748,465**
(22) Filed: **Aug. 28, 2020**
(51) **LOC (13) Cl.** **23-04**
(52) **U.S. Cl.**
USPC **D23/364**
(58) **Field of Classification Search**
USPC D23/332, 336, 356, 359, 364–365, 378,
D23/499; D14/204, 214, 240, 314, 496
CPC F24F 1/029; F24F 1/035; F24F 1/0287;
F24F 6/06; F24F 6/14; F24F 13/06; F24F
13/20; F24F 13/222; F24F 3/16; F24F
3/1405; A61L 9/03
See application file for complete search history.

(56) **References Cited**

U.S. PATENT DOCUMENTS

3,371,742 A * 3/1968 Norton H04R 1/345
181/153
5,329,778 A * 7/1994 Padamsee A47J 41/0044
220/592.2
D364,165 S * 11/1995 Esslinger D14/216
D410,765 S * 6/1999 Gawryk D27/189
D788,070 S * 5/2017 Lukic D14/204
D835,063 S * 12/2018 Wu D14/204
10,413,630 B1 * 9/2019 Hsiao A61L 9/122
D884,676 S * 5/2020 He D14/216
D897,990 S * 10/2020 Liu D14/211
D900,765 S * 11/2020 Yi D14/126
D926,403 S * 7/2021 Luo D32/23
11,213,600 B2 * 1/2022 Hsiao A61L 9/037

D944,379 S * 2/2022 Li D23/364
2007/0207066 A1 * 9/2007 Thur A61L 9/205
96/222
2008/0099575 A1 * 5/2008 Deflorian A01M 1/2077
239/34

FOREIGN PATENT DOCUMENTS

CN 305699392 * 4/2020

OTHER PUBLICATIONS

HomeZens Portable Plug in Air Purifier, first available Mar. 18, 2020[online], [site visited Apr. 4, 2022], Available from internet, URL:<<https://www.amazon.com/dp/B08638Y2GW>> (Year: 2020).*

* cited by examiner

Primary Examiner — Barbara Fox
Assistant Examiner — Jamaal Rasheed
(74) *Attorney, Agent, or Firm* — Dragon Sun Law Firm, PC; Jinggao Li, Esq.

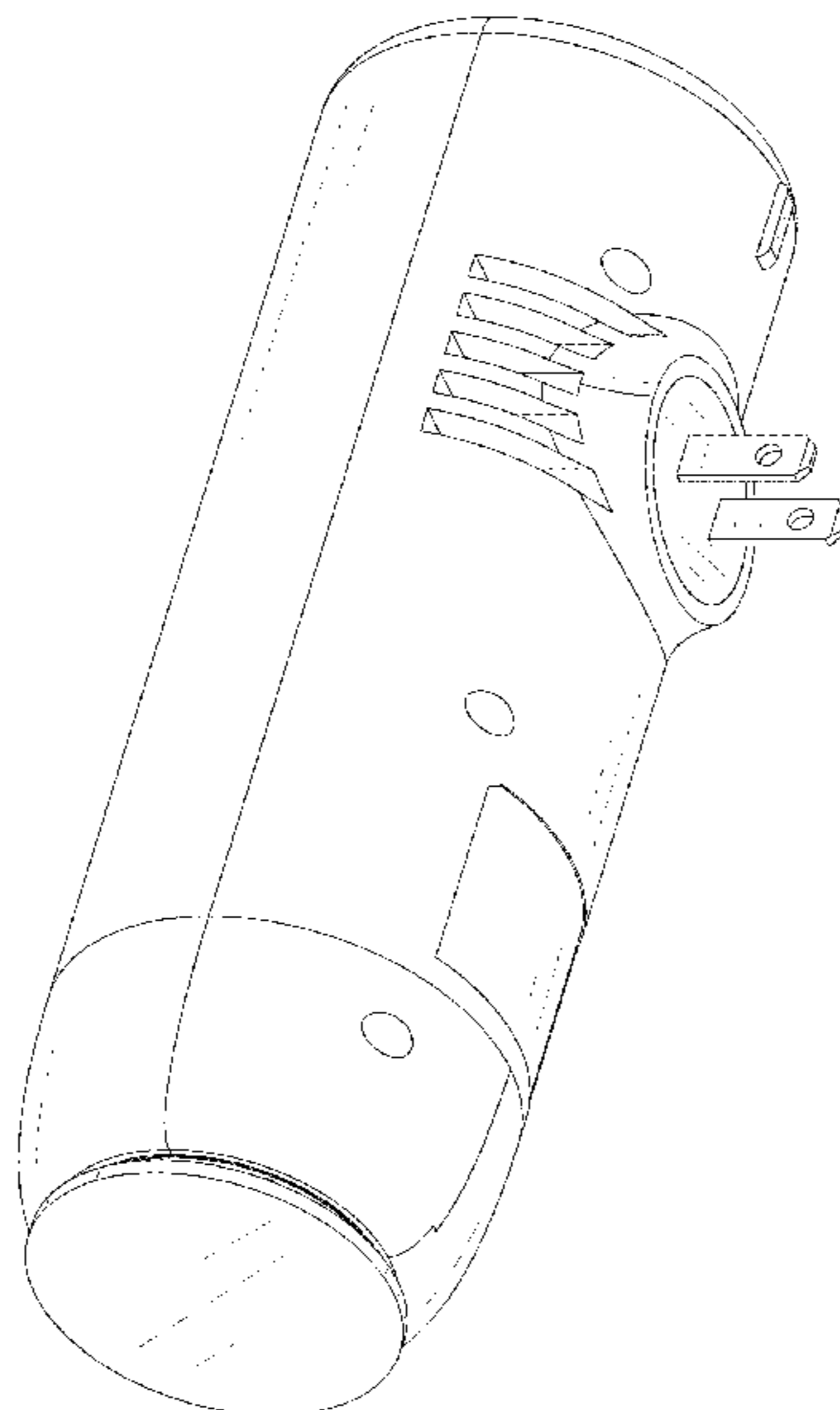
(57) **CLAIM**

The ornamental design for an air purifier, as shown and described.

DESCRIPTION

FIG. 1 is a perspective view of an air purifier showing my new design;
FIG. 2 is another perspective view;
FIG. 3 is a front elevation view thereof;
FIG. 4 is a rear elevation view thereof;
FIG. 5 is a left side view thereof;
FIG. 6 is a right side view thereof;
FIG. 7 is a top plan view thereof; and,
FIG. 8 is a bottom plan view thereof.
The broken lines in the drawings illustrate portions of the air purifier and form no part of the claimed design.

1 Claim, 8 Drawing Sheets



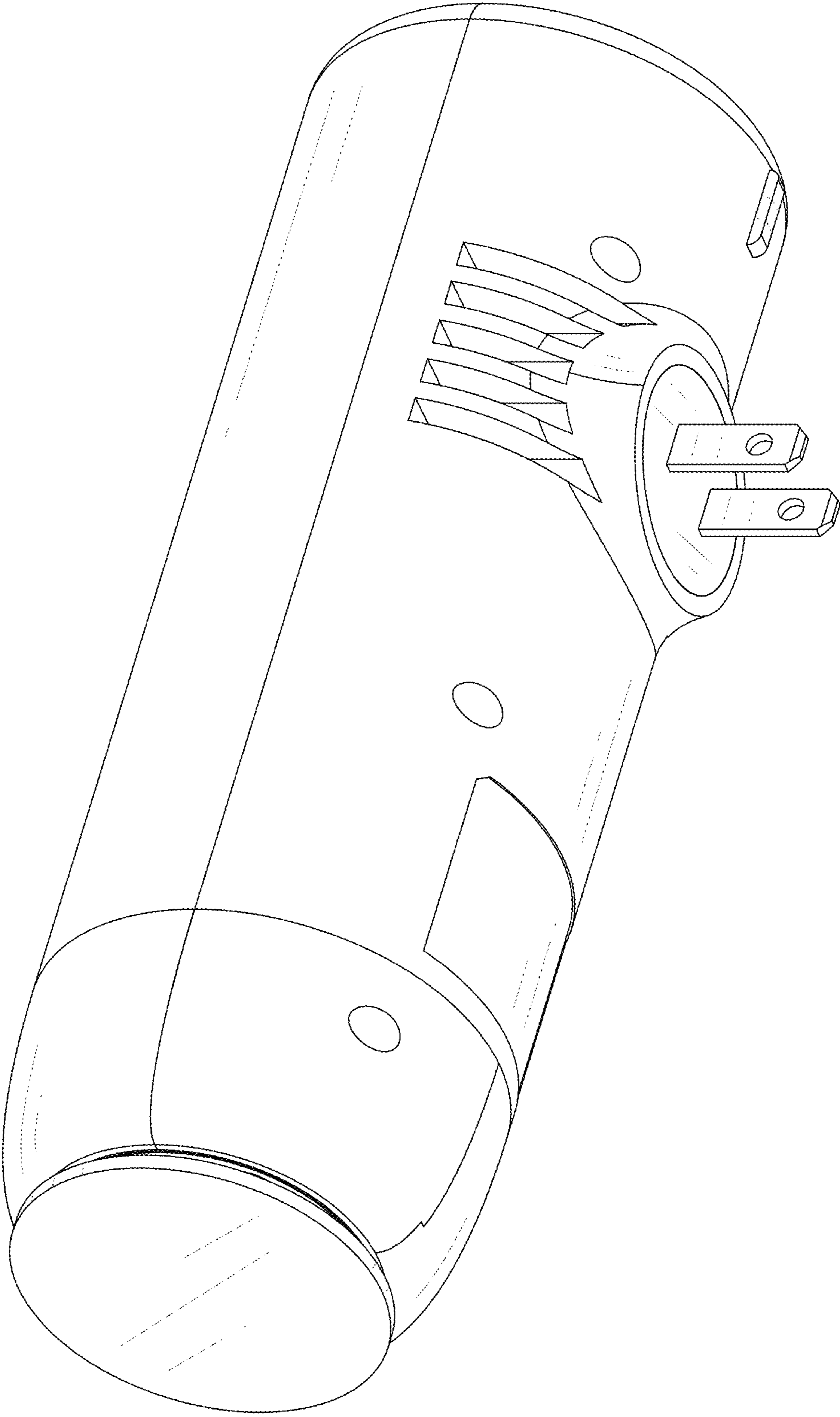


FIG. 1

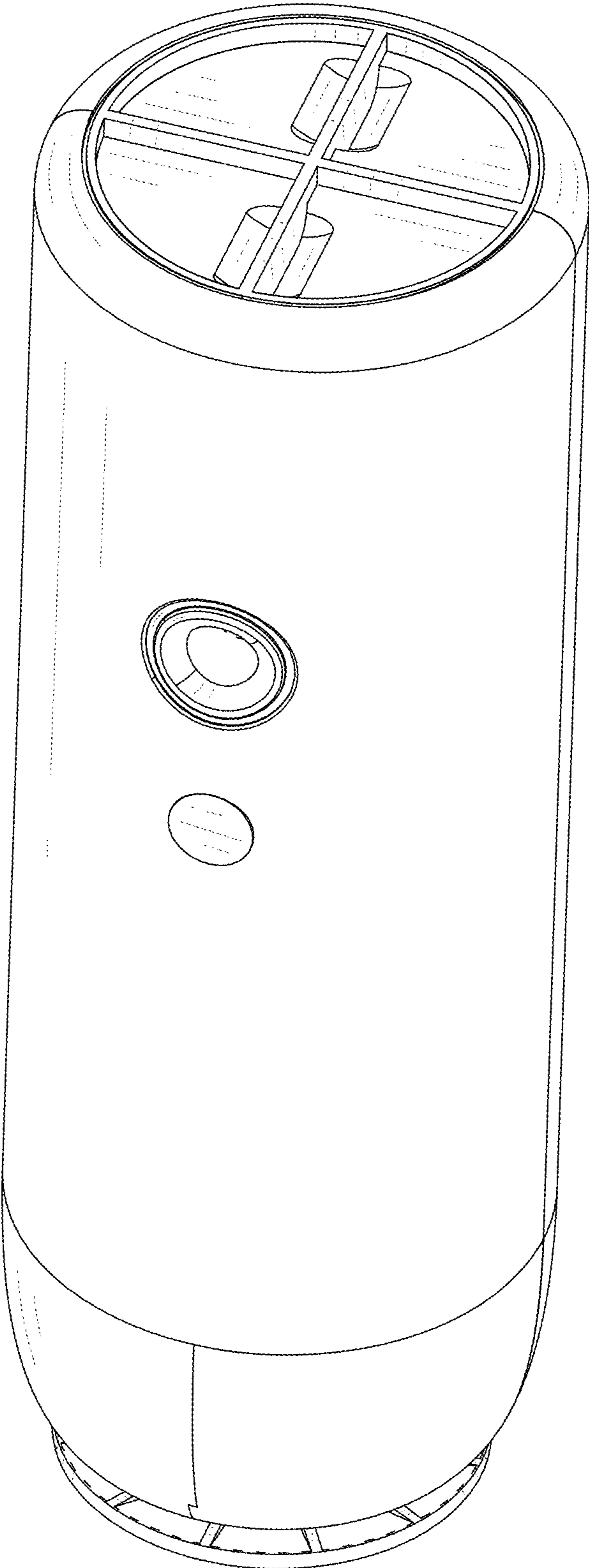


FIG. 2

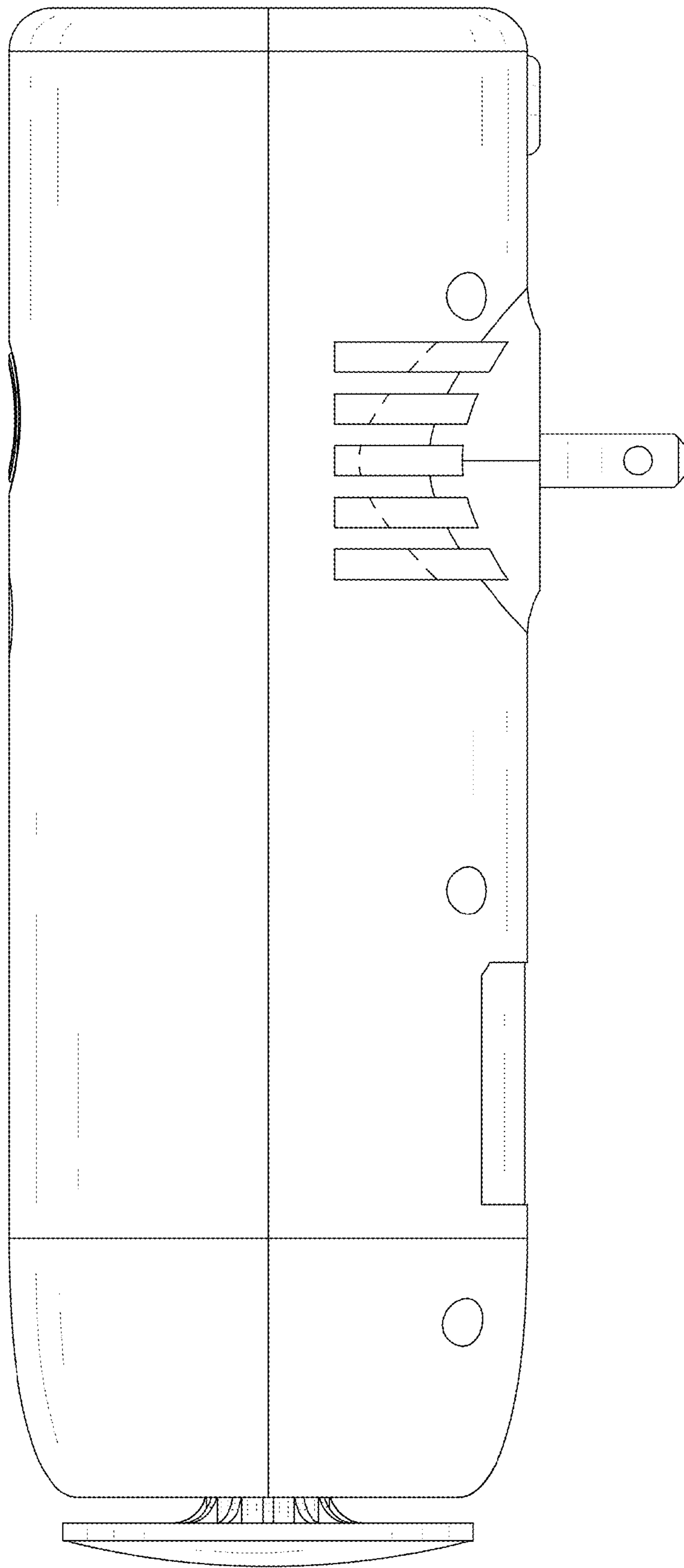


FIG. 3

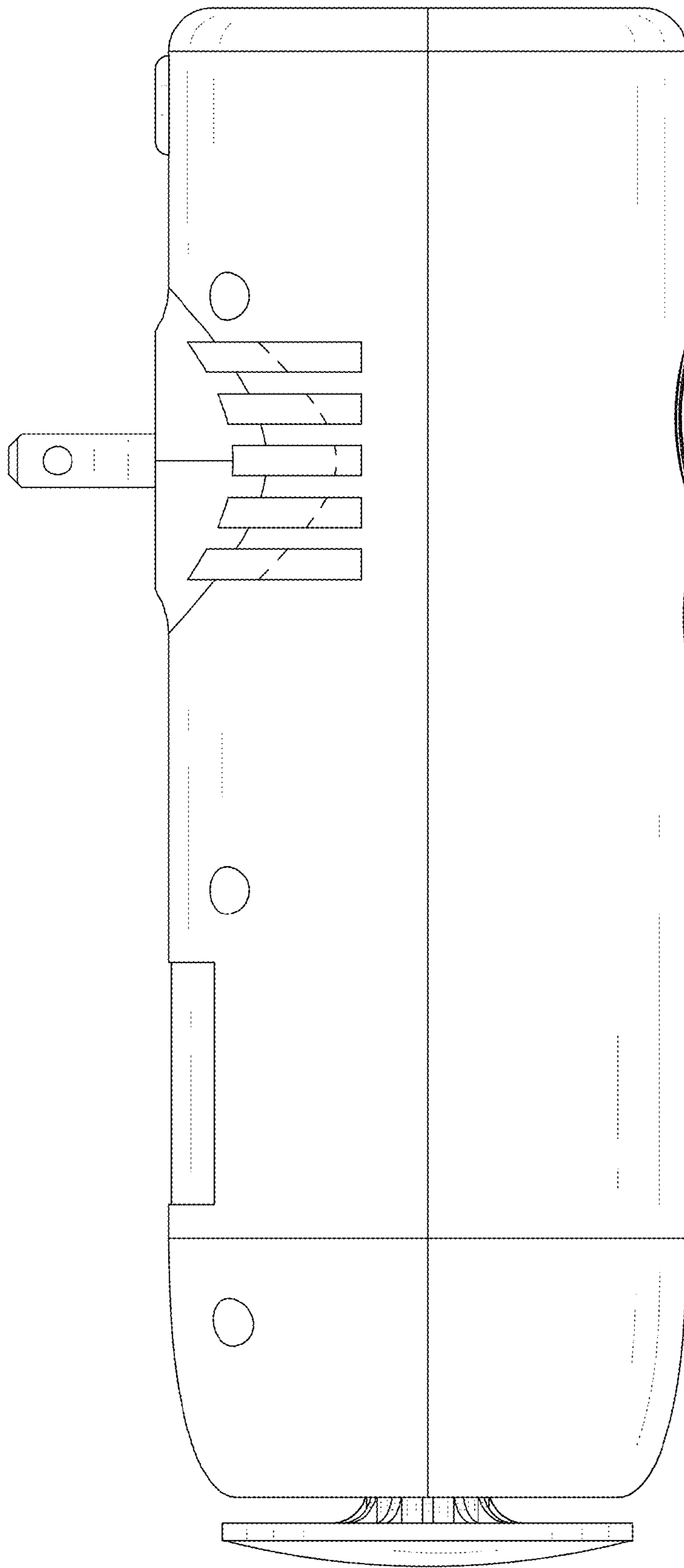


FIG. 4

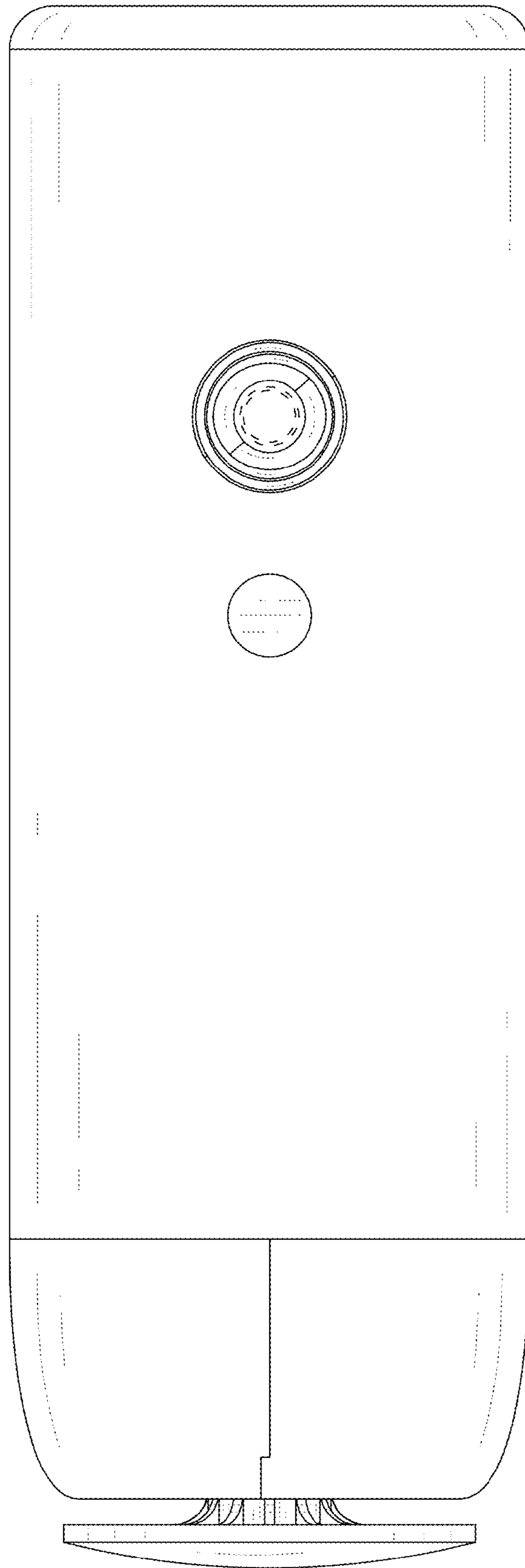


FIG. 5

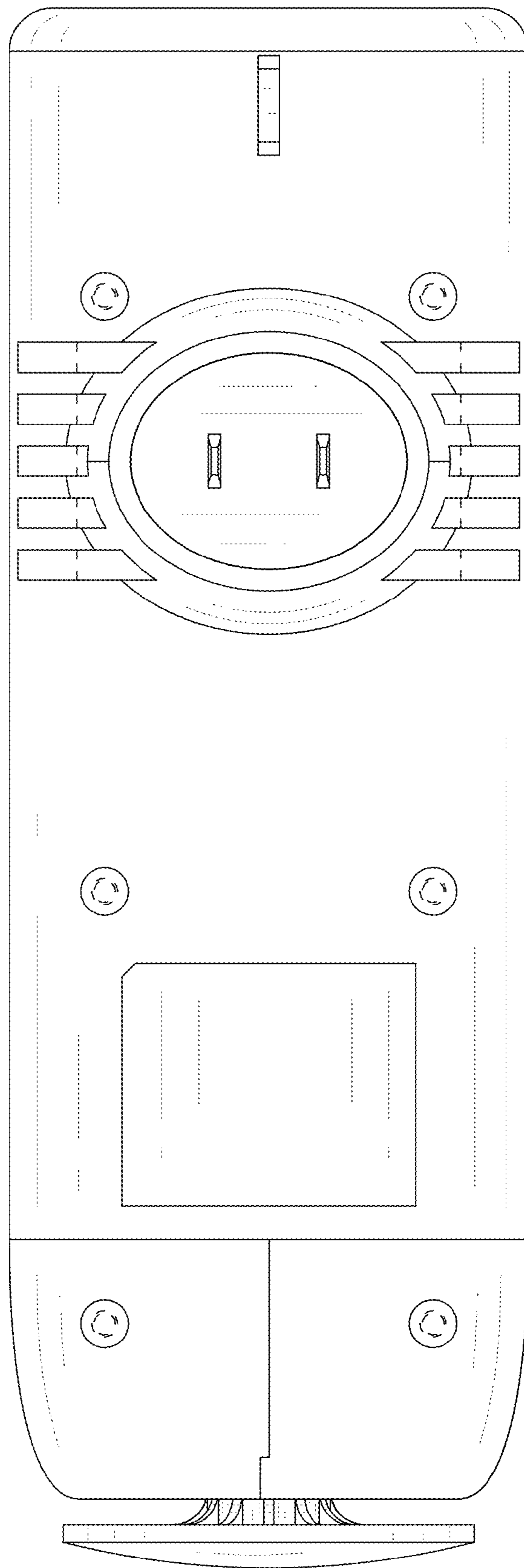


FIG. 6

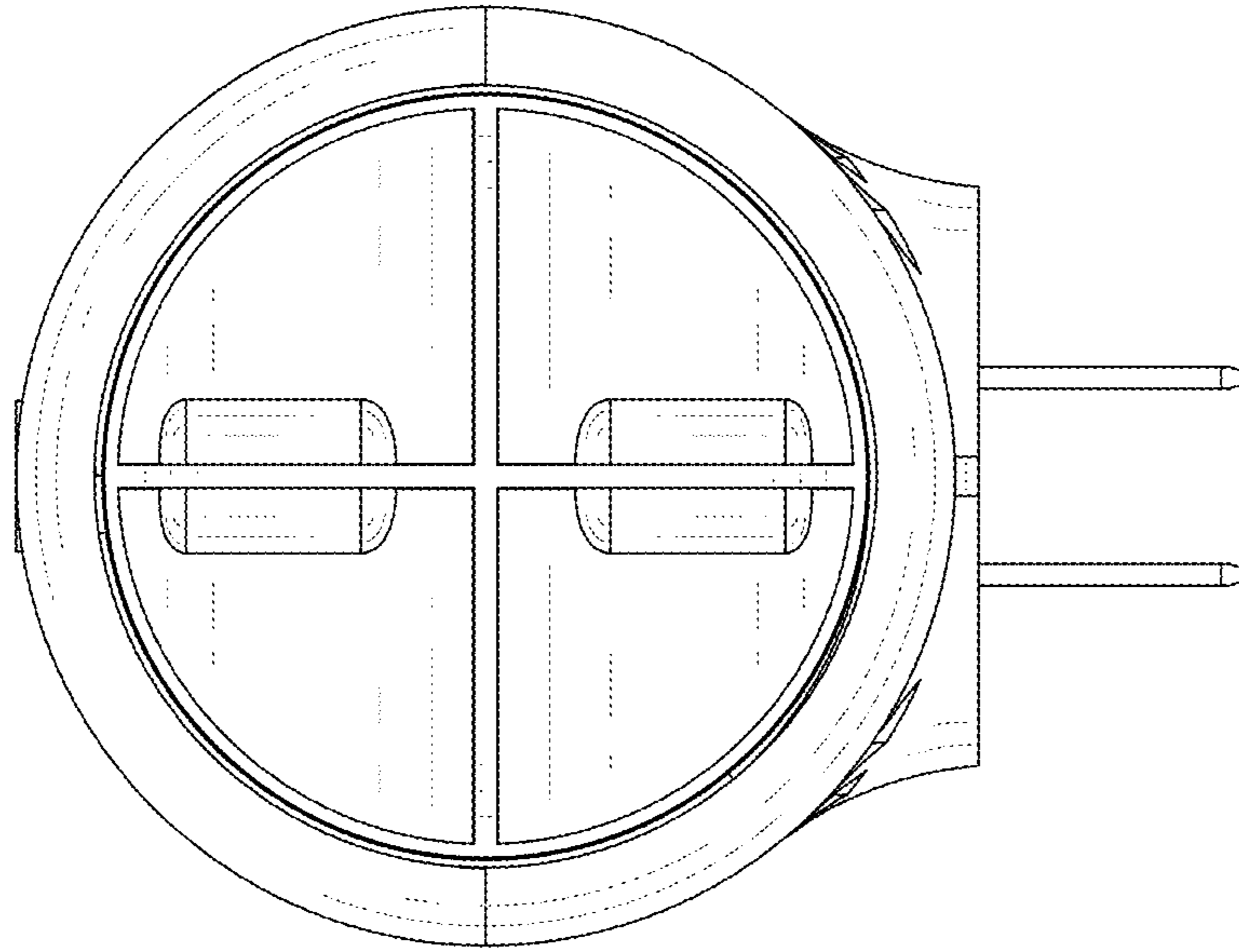


FIG. 7

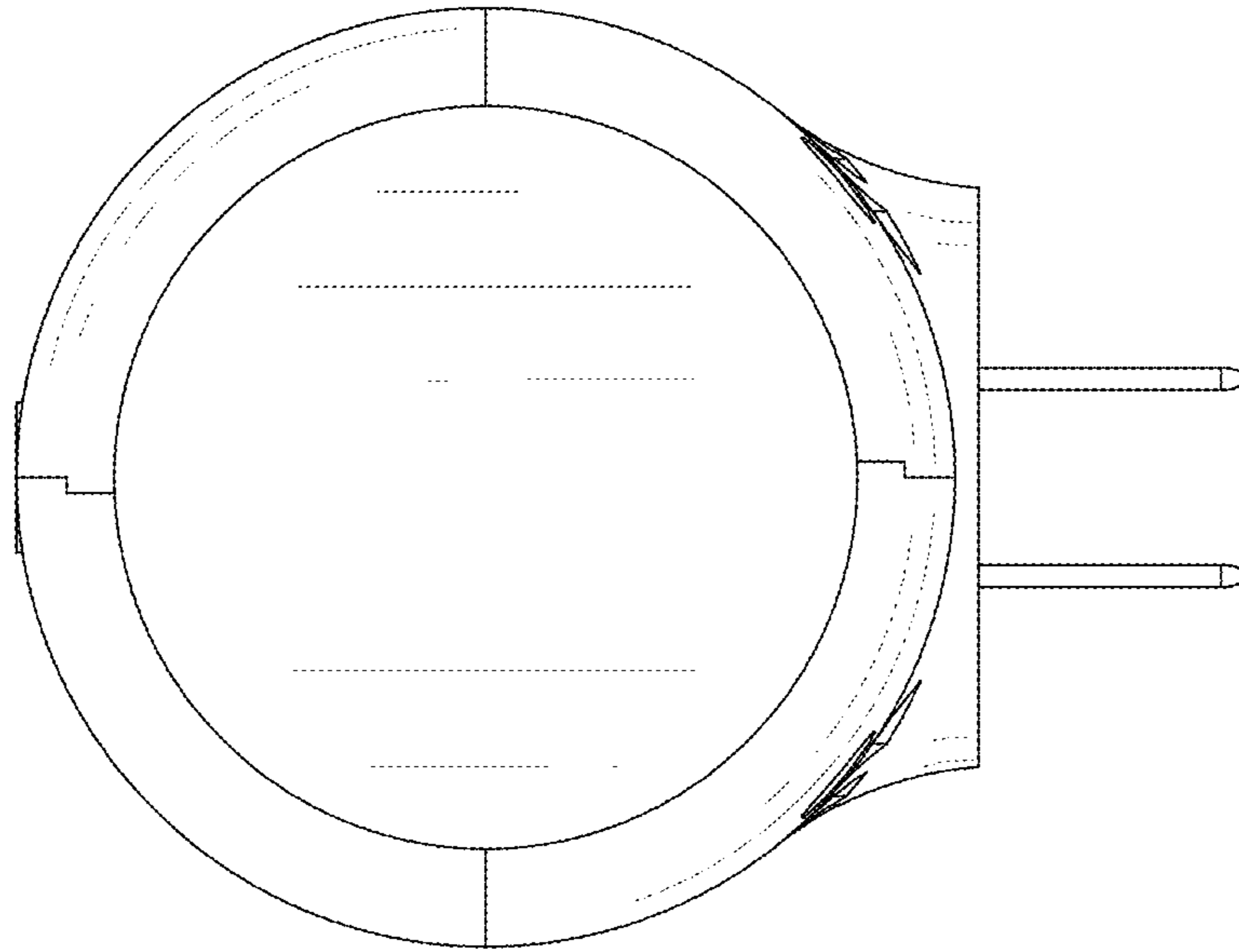


FIG. 8