



US00D961749S

(12) **United States Design Patent**
Wang

(10) **Patent No.:** **US D961,749 S**
(45) **Date of Patent:** **** Aug. 23, 2022**

(54) **DEHUMIDIFIER**

(71) Applicant: **ShenZhen ChangLin Houseware Co., Ltd.**, Shenzhen (CN)

(72) Inventor: **Wen Wang**, Shenzhen (CN)

(**) Term: **15 Years**

(21) Appl. No.: **29/797,062**

(22) Filed: **Jun. 29, 2021**

(30) **Foreign Application Priority Data**

Mar. 3, 2021 (CN) 202130116586.9

(51) **LOC (13) Cl.** **23-04**

(52) **U.S. Cl.**
USPC **D23/359**

(58) **Field of Classification Search**
USPC D23/333, 335, 342, 351, 355-357, 359,
D23/360, 364, 366; 422/120;
261/DIG. 17, DIG. 31, DIG. 42, DIG. 43,
261/DIG. 65, DIG. 88
CPC B01D 2221/02; F24F 13/222
See application file for complete search history.

(56) **References Cited**

U.S. PATENT DOCUMENTS

D440,292 S *	4/2001	Kip	D23/364
D556,309 S *	11/2007	Chiu	D23/333
D590,488 S *	4/2009	Chiu	D23/333
D606,184 S *	12/2009	Chiu	D23/359
D673,665 S *	1/2013	Langford	D23/359
D729,365 S *	5/2015	Yuan	D23/359
D754,831 S *	4/2016	Yin	D23/359
D766,414 S *	9/2016	Chu	D23/359
D773,027 S *	11/2016	Hu	D23/365
D803,368 S *	11/2017	Priester	D23/364
D835,248 S *	12/2018	Echeverri	D23/364

(Continued)

FOREIGN PATENT DOCUMENTS

CN	202130064973.2	*	6/2021
CN	202130116586.9	*	6/2021

OTHER PUBLICATIONS

Levoair Dehumidifier w Drain Hose; First Available Date Apr. 13, 2021; Visited Online Mar. 22, 2022; https://www.amazon.com/dp/B092D3FJSD/ref=sspa_dk_detail_2?pf_rd_p=57cbdc41-b731-4e3d-aca7-49078b13a07b&pd_rd_wg=aQdE2&pf_rd_r=ECQC5BT927C T335NKTPS&pd_rd_w=RQUEB&pd_rd_r=362d51e3-46e6-484a-b728-7060dd5c9ab0&s=home-garden&smid=A2IT42G65KW08VPUEyTEpZTTRMSIA0SzRRJmVuY3J5cHRIZEIkPUEwOTExODM2NkZSNkJSWE9QV1JHJmVuY3J5cHRIZEFkSWQ9QTAYNTI0MDMyS0M0RDFYMFBIT1NEJndpZGdlldE5hbWU9c3BZGV0YWIsX3RoZW1hdGJlJmFjdGlvbj1jbGlja1JlZGlyZWNoJmRvTm90TG9nQ2xpY2s9dHJlZQ&th=1 (Year: 2021).*

(Continued)

Primary Examiner — Amy C Wierenga

(57) **CLAIM**

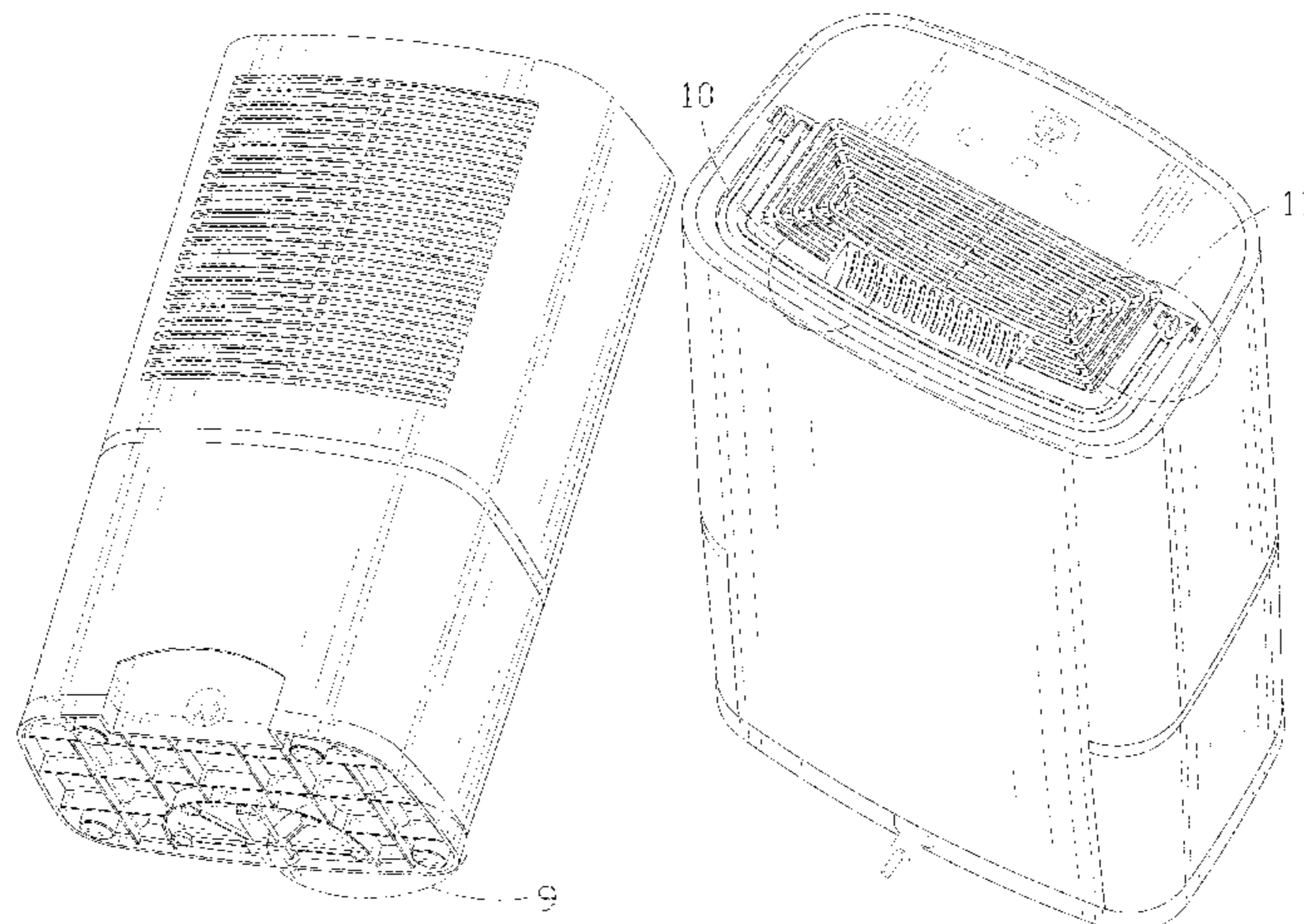
The ornamental design for a dehumidifier, as shown and described.

DESCRIPTION

FIG. 1 is a front and top perspective view of a dehumidifier, showing my new design;
FIG. 2 is a rear and bottom perspective view thereof;
FIG. 3 is a front elevation view thereof;
FIG. 4 is a rear elevation view thereof;
FIG. 5 is a left side elevation view thereof;
FIG. 6 is a right side elevation view thereof;
FIG. 7 is a top plan view thereof;
FIG. 8 is a bottom plan view thereof;
FIG. 9 is an enlarged view of a portion labeled of a portion indicated with numeric 9 in FIG. 1;
FIG. 10 is an enlarged view of a portion labeled of a portion indicated with numeric 10 in FIG. 2; and,
FIG. 11 is an enlarged view of a portion labeled of a portion indicated with numeric 11 in FIG. 2.

The broken lines in the figures illustrate portions of the dehumidifier that form no part of the claimed design. The dash dot dash broken lines in FIGS. 1, 2, 9, 10 and 11

(Continued)



indicate cutoff boundaries for enlarged detailed portion views and form no part of the claim.

1 Claim, 11 Drawing Sheets

(56)

References Cited

U.S. PATENT DOCUMENTS

D844,766 S *	4/2019	Miao	D23/364
D876,599 S *	2/2020	He	D23/364
D879,273 S *	3/2020	Shih	D23/364
D884,861 S	5/2020	Seymour et al.	
D918,365 S *	5/2021	Li	D23/359
D918,366 S *	5/2021	Li	D23/359
D919,780 S *	5/2021	Li	D23/359

OTHER PUBLICATIONS

MADETEC Dehumidifier w Drain Hose; First Available Date Apr. 19, 2021; Visited Online Mar. 22, 2022; https://www.amazon.com/dp/B092VX7LKB/ref=sspa_dk_detail_2?pd_rd_i=B092VX7LKB

&pd_rd_w=w7fQv&pf_rd_p=57cbdc41-b731-4e3d-aca7-49078b13a07b&pd_rd_wg=Q3TjC&pf_rd_r=J4PMGX7BQTWKHRMFS5W8&pd_rd_r=e9ba6630-a9ca-4133-8e3f-6f643d9d7891&s=home-garden&smid=A9BS44ZYAI6BW&spLa=ZW5jcnlwdGVkUXVhbGlmaWVyPUEExRFNRSkw3VENYS1NOJmVuY3J5cHRIZEikPUEwNDg3NTU1MjFES0szRE1BTINPUIZlbnNyeXB0ZWRBZEikPUEwOTkxNzZM2MUIXMkkwUFY1RVg1SiZ3aWRnZXROYW1IPXNwX2RldGFpbF90aGVtYXRpYyZhY3Rpb249Y2xpY2tSZWRpcmVjdCZkb05vdExvZ0NsaWNrPXRy (Year: 2021).*

Gocheer Dehumidifier w Drain Hose; First Available Date Apr. 24, 2021; Visited Online Mar. 22, 2022; https://www.amazon.com/dp/B093D9KRJY/ref=sspa_dk_detail_0?pd_rd_i=B093D9KRJY&pd_rd_w=w7fQv&pf_rd_p=57cbdc41-b731-4e3d-aca7-49078b13a07b&pd_rd_wg=Q3TjC&pf_rd_r=J4PMGX7BQTWKHRMFS5W8&pd_rd_r=e9ba6630-a9ca-4133-8e3f-6f643d9d7891&s=home-garden&spLa=ZW5jcnlwdGVkUXVhbGlmaWVyPUEExRFNRSkw3VENYS1NOJmVuY3J5cHRIZEikPUEwNDg3NTU1MjFES0szRE1BTINPUIZlbnNyeXB0ZWRBZEikPUEwMjl5Nzc1MzFQNVgyME42WJENCZ3aWRnZXROYW1IPXNwX2RldGFpbF90aGVtYXRpYyZhY3Rpb249Y2xpY2tSZWRpcmVjdCZkb05vdExvZ0NsaWNrPXRydWU&th=1 (Year: 2021).*

* cited by examiner

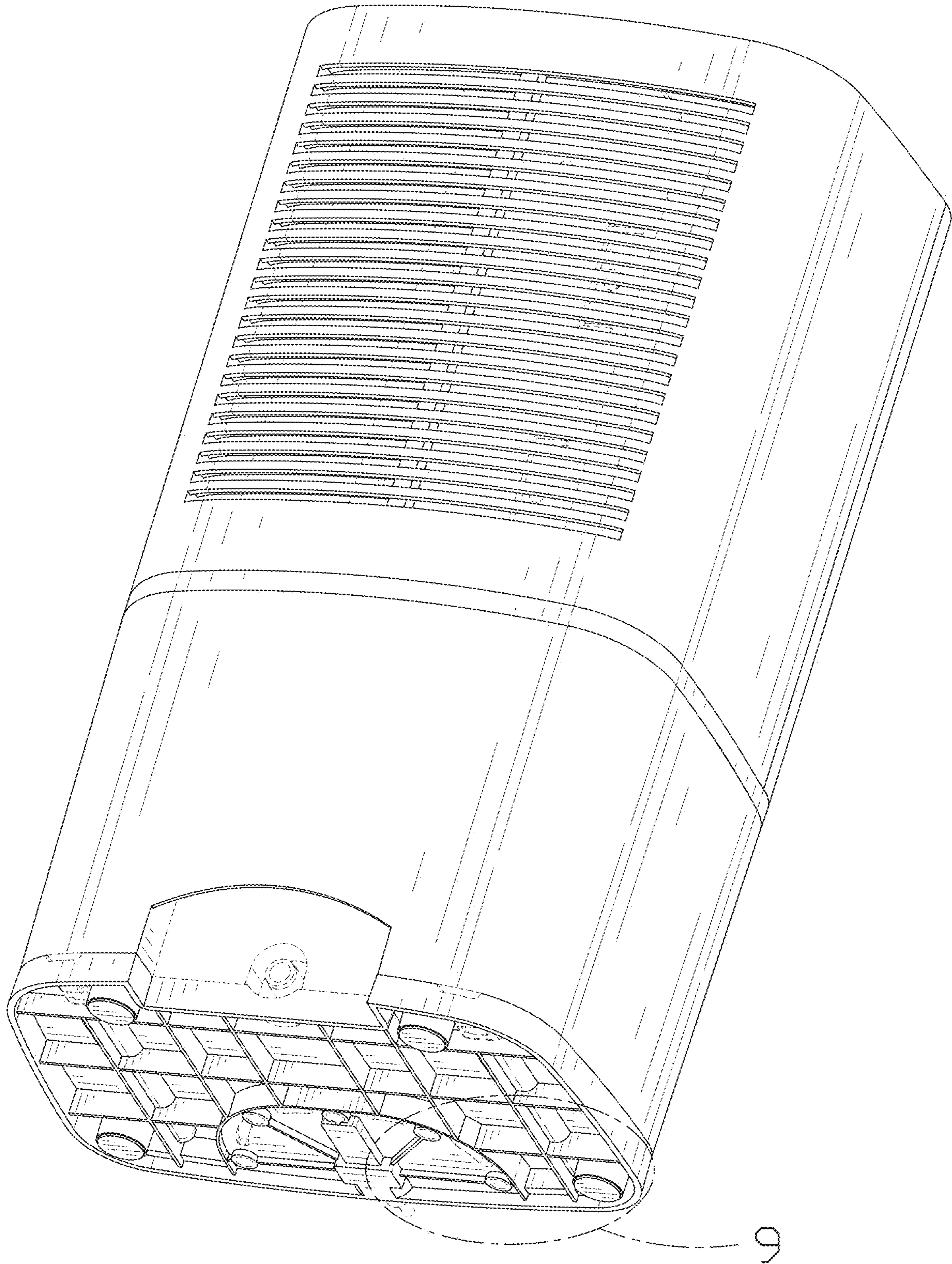


FIG. 1

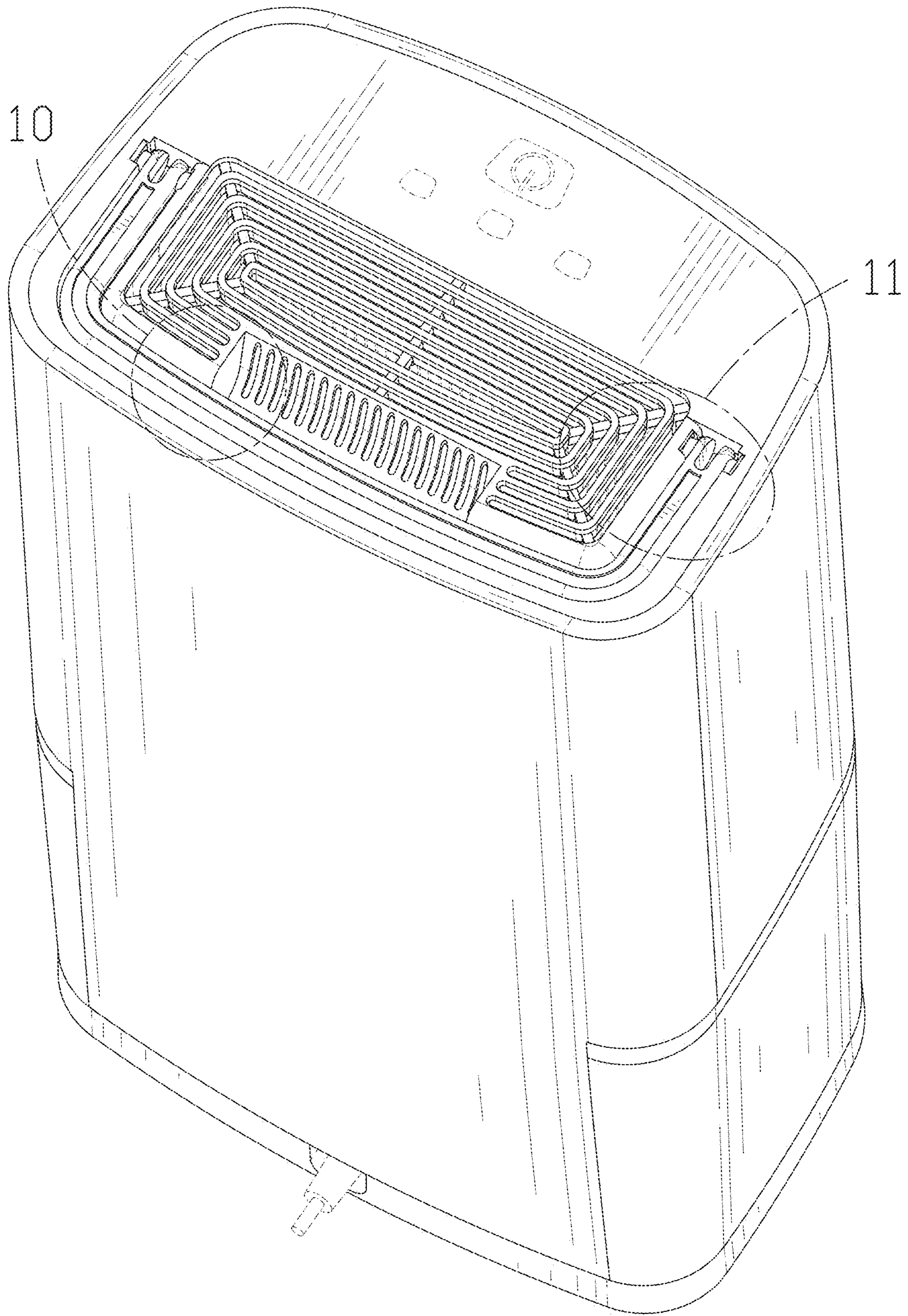


FIG. 2

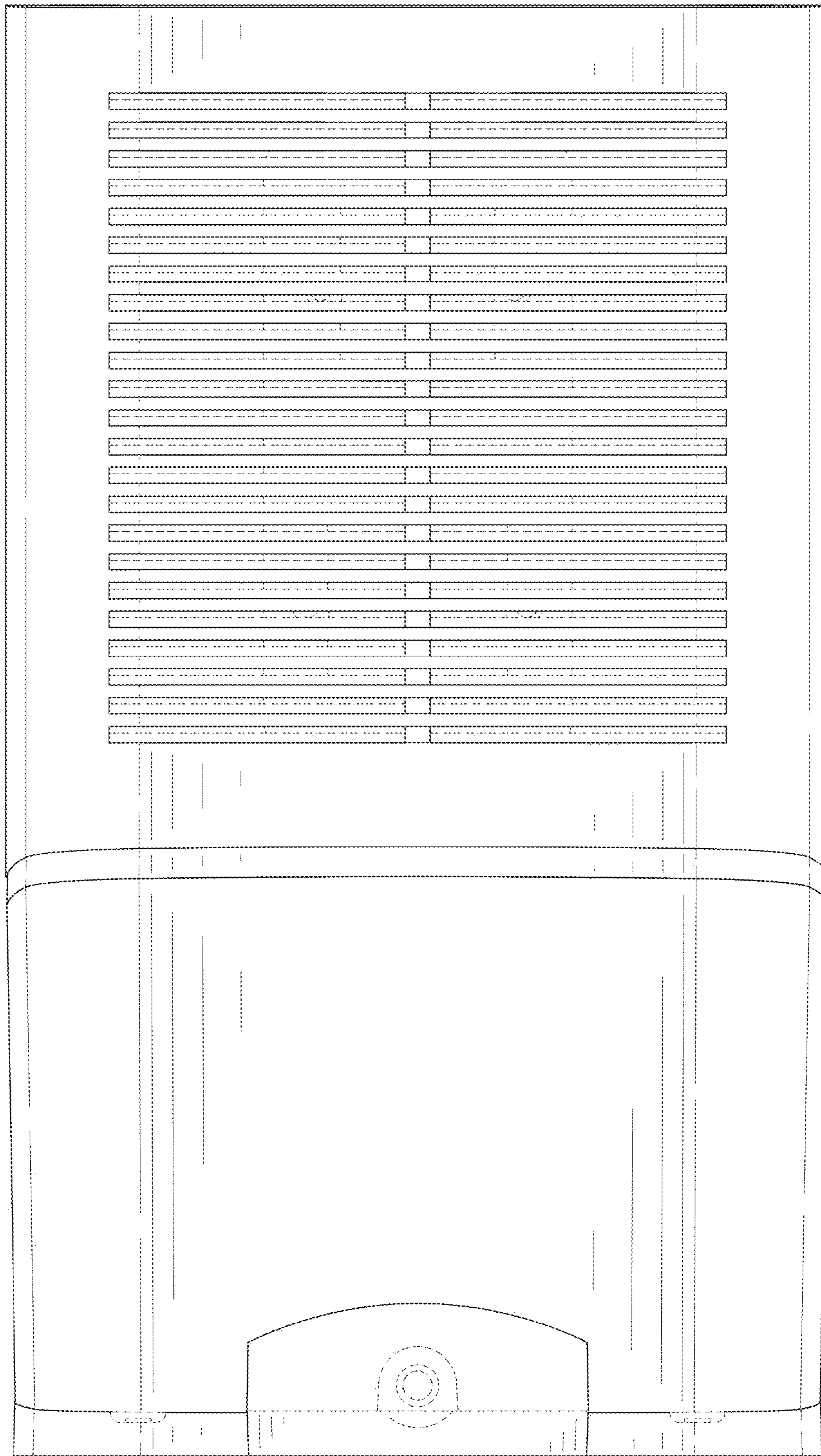


FIG. 3

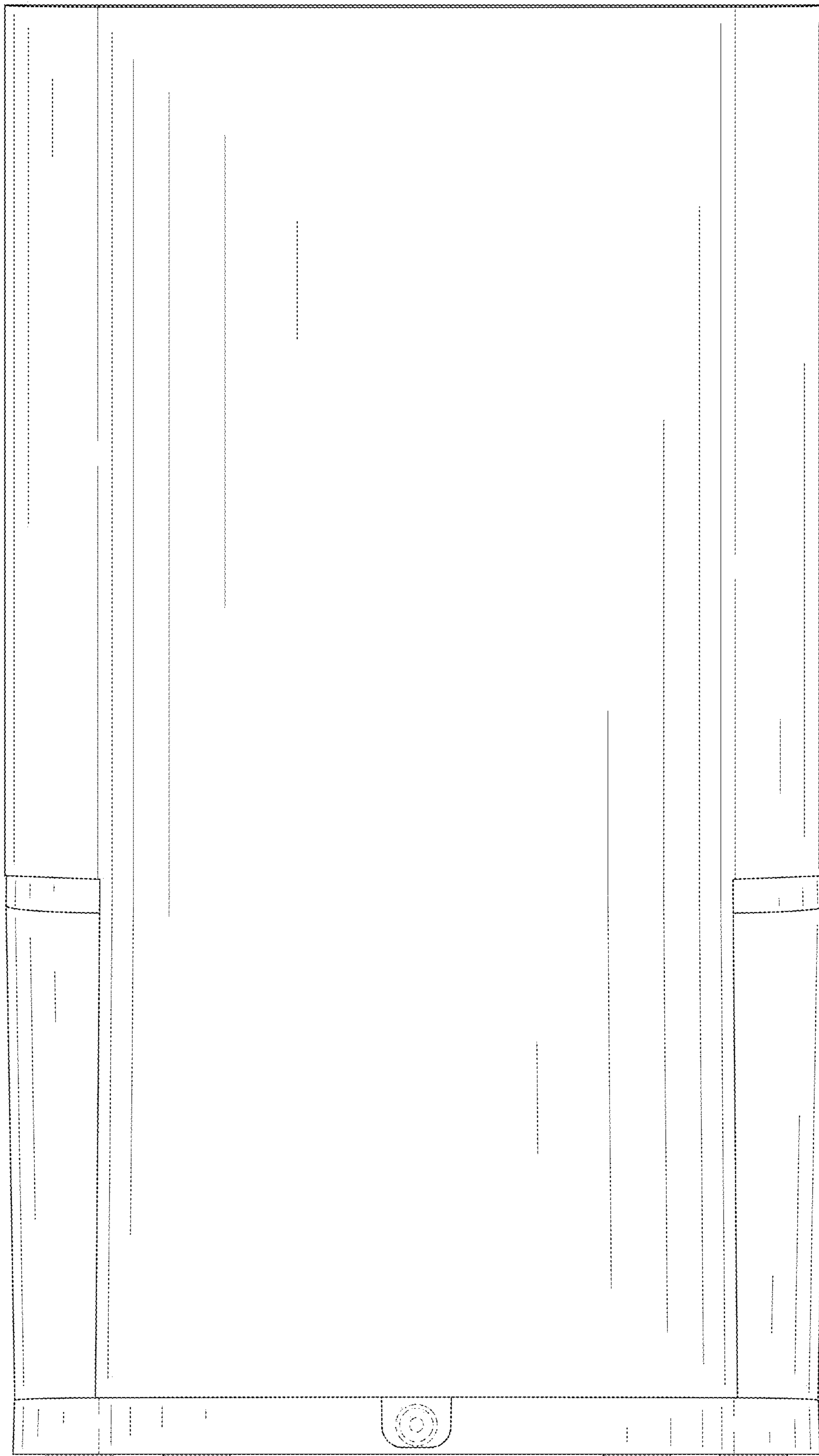


FIG. 4

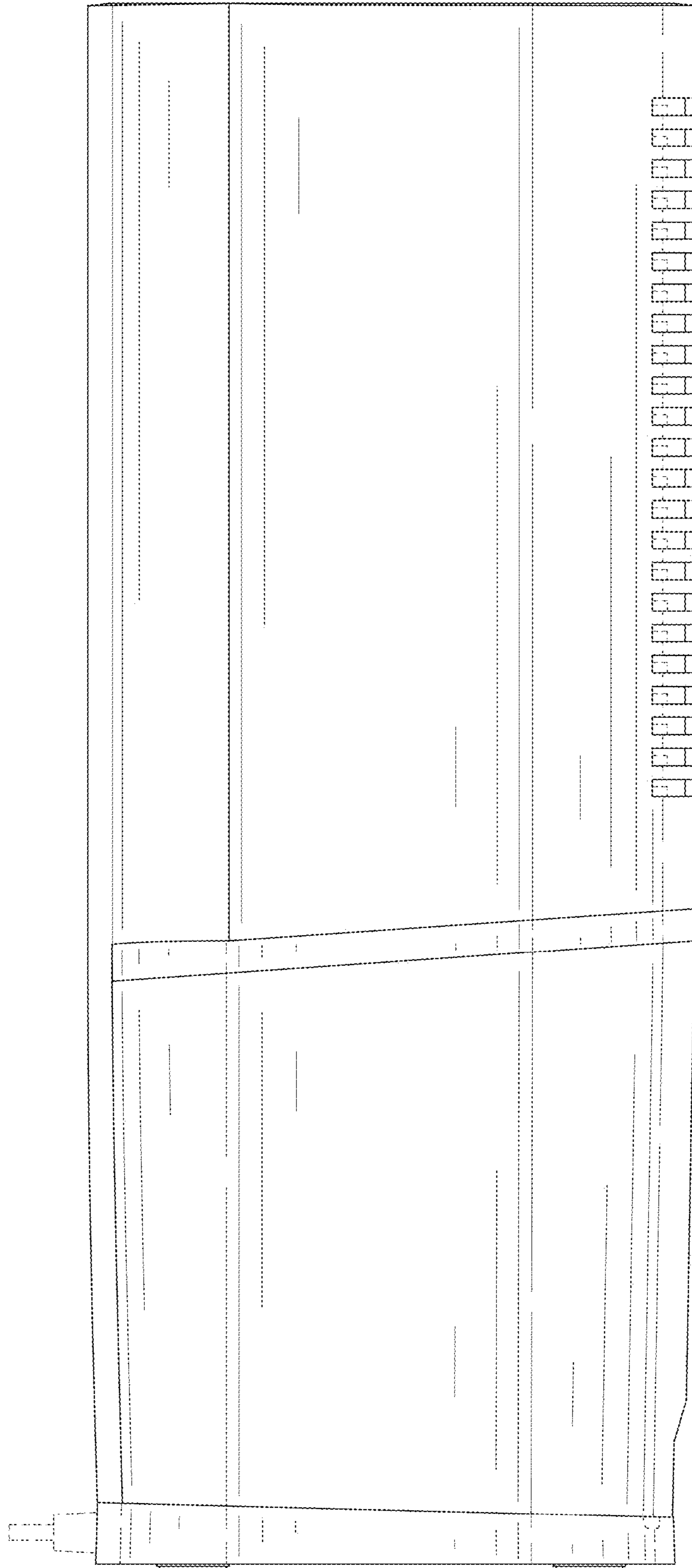


FIG. 5

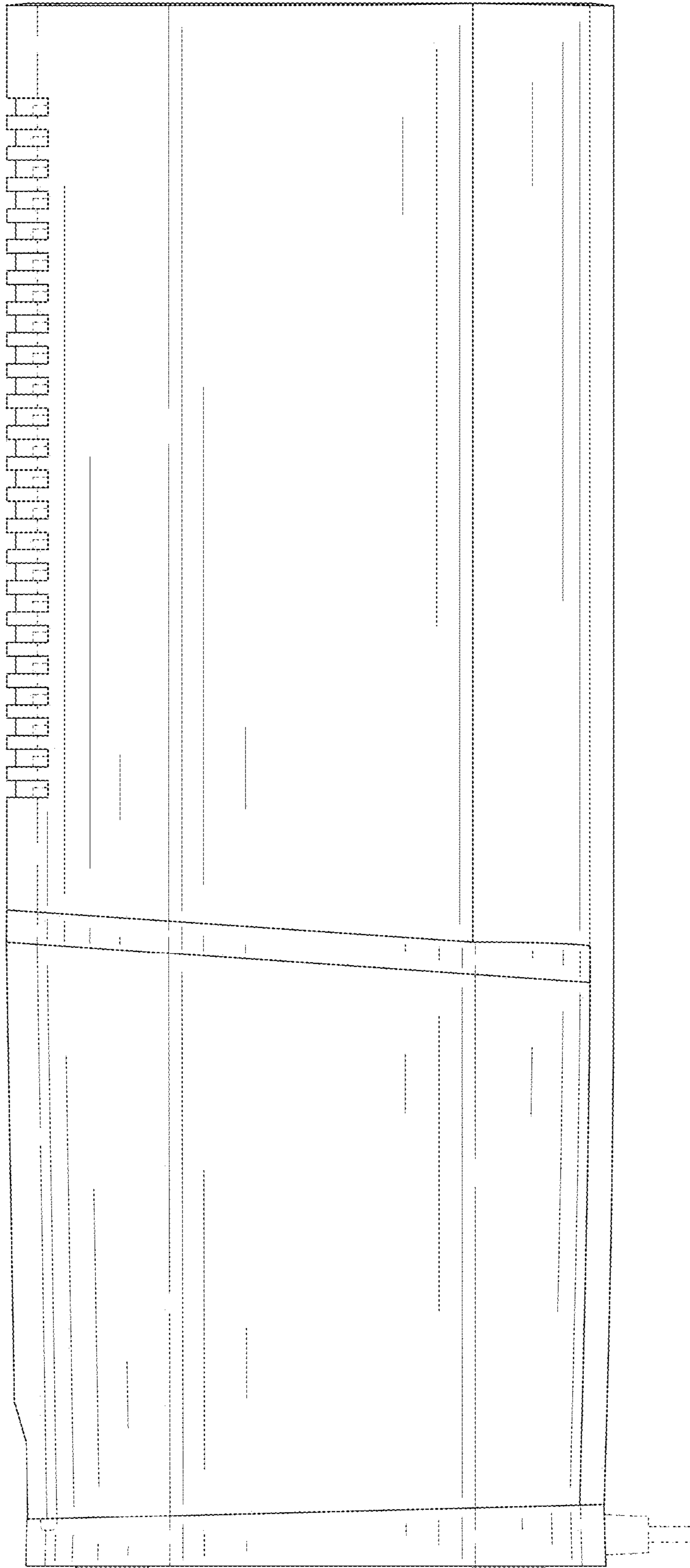


FIG. 6

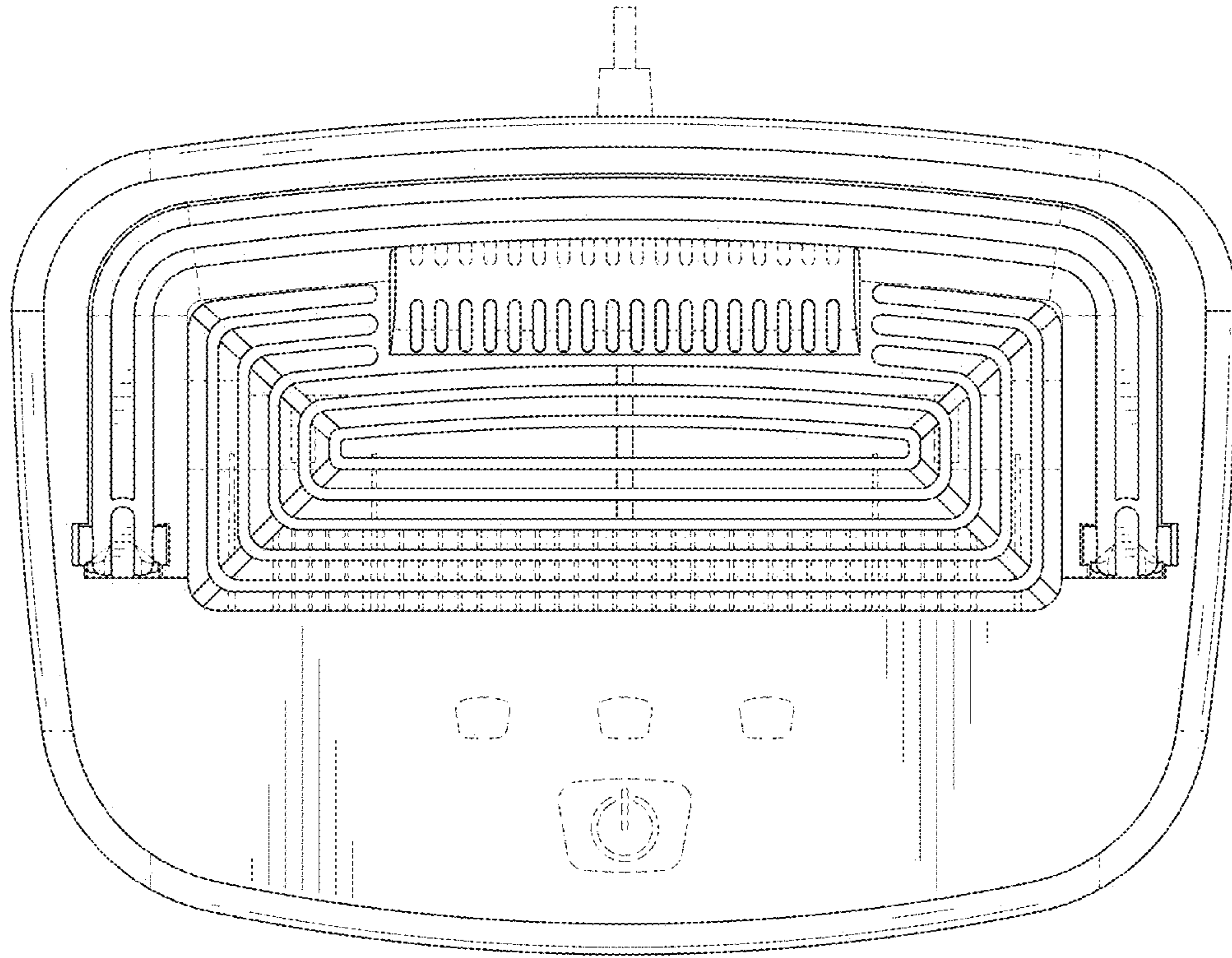


FIG. 7

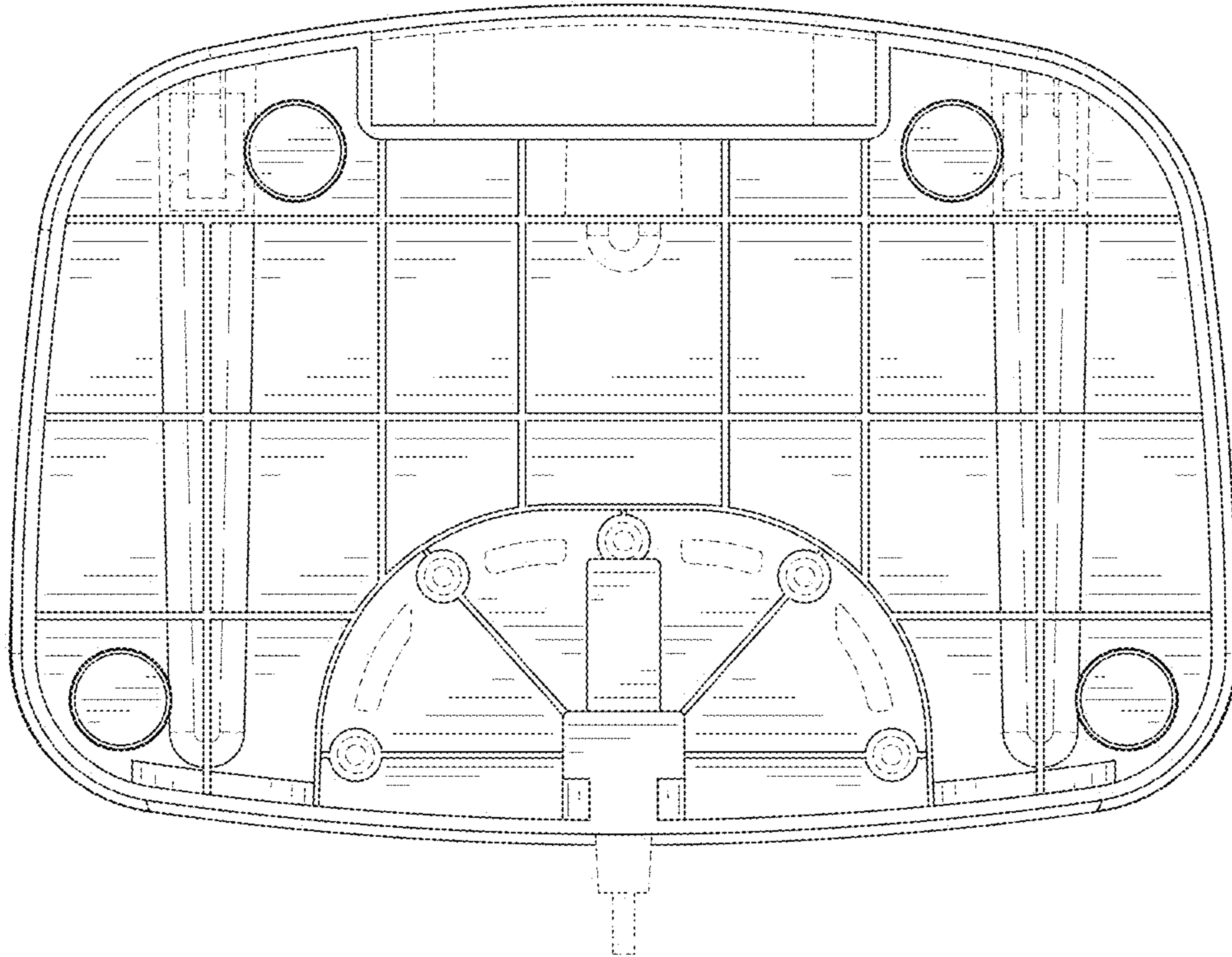


FIG. 8

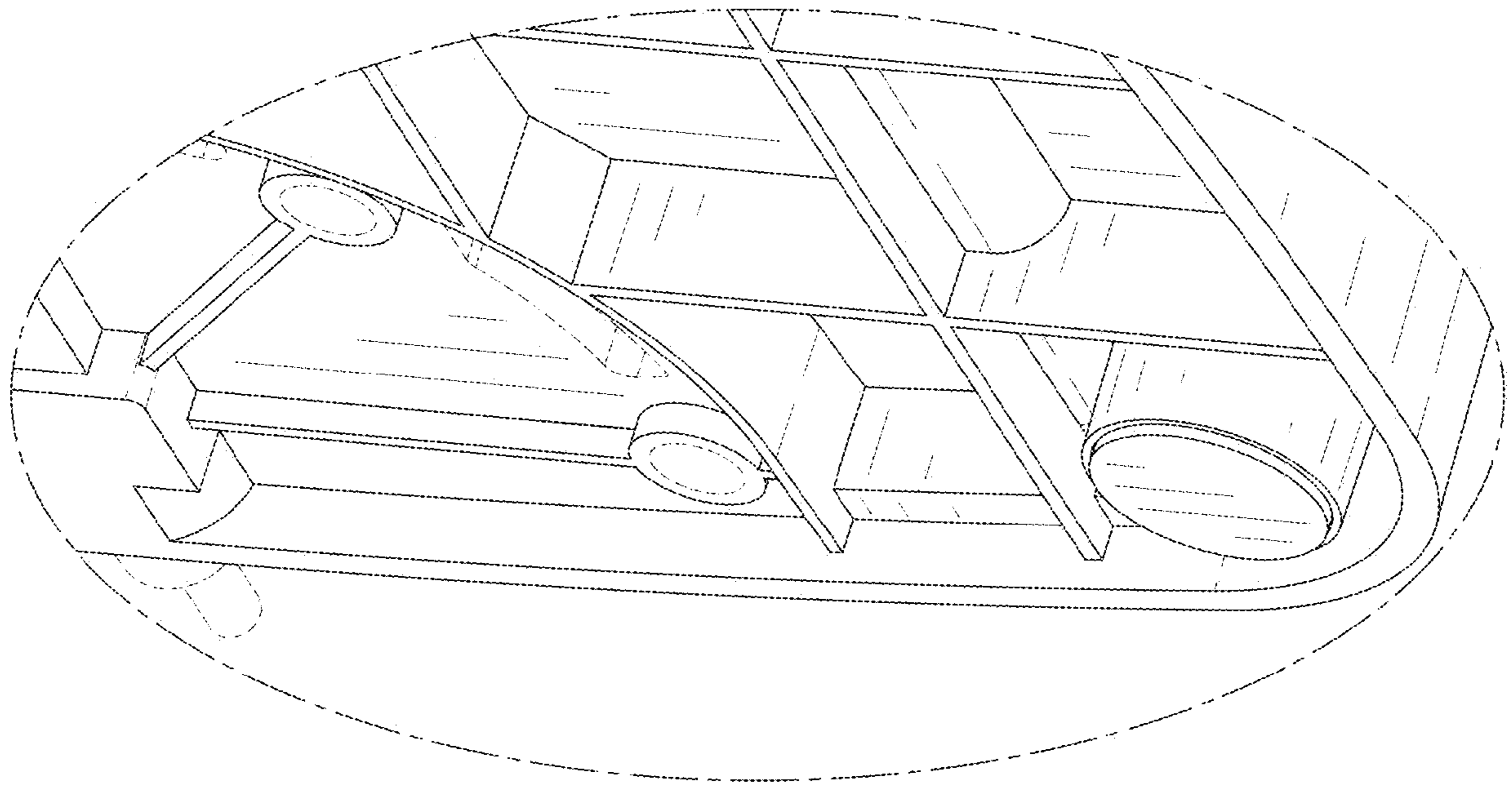


FIG. 9

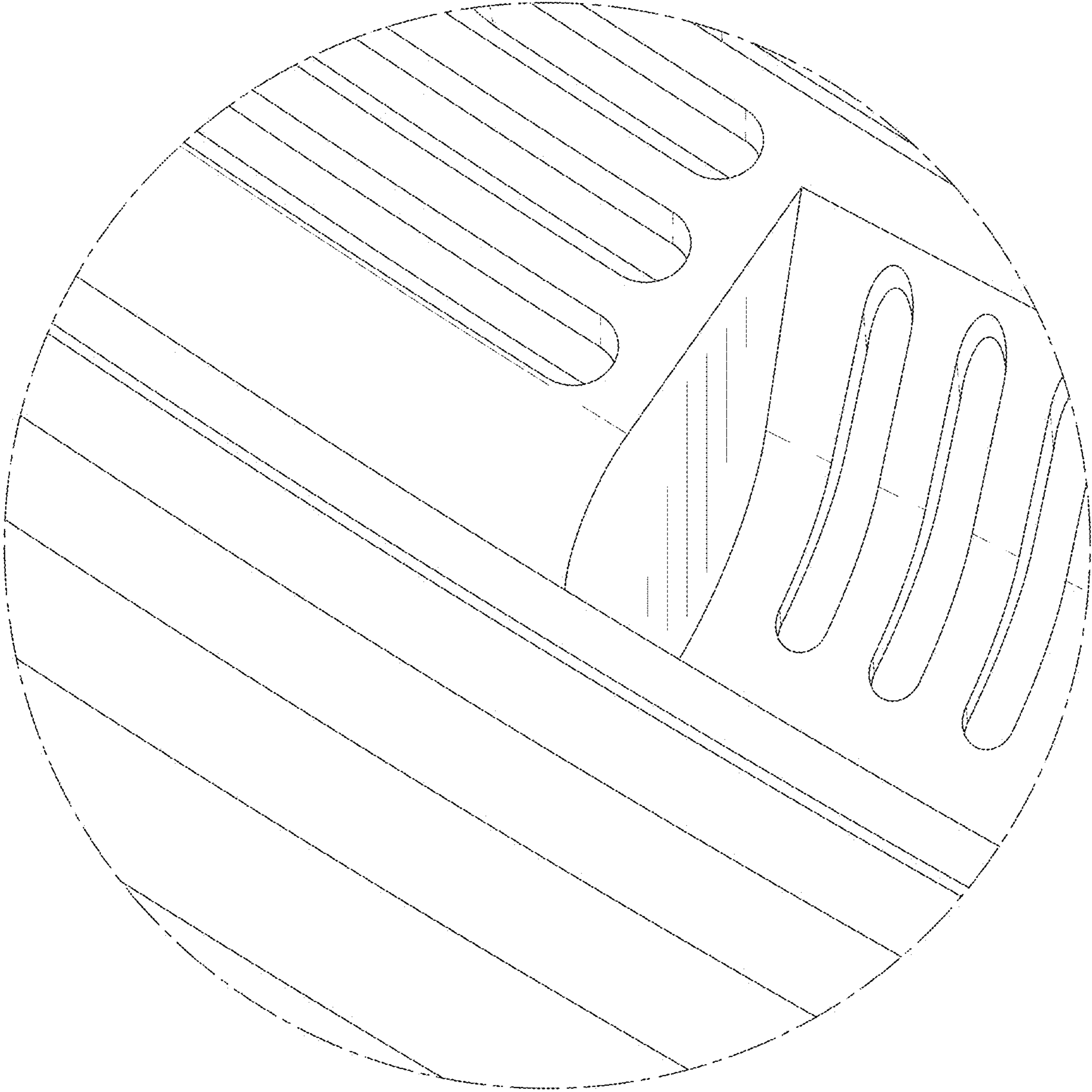


FIG. 10

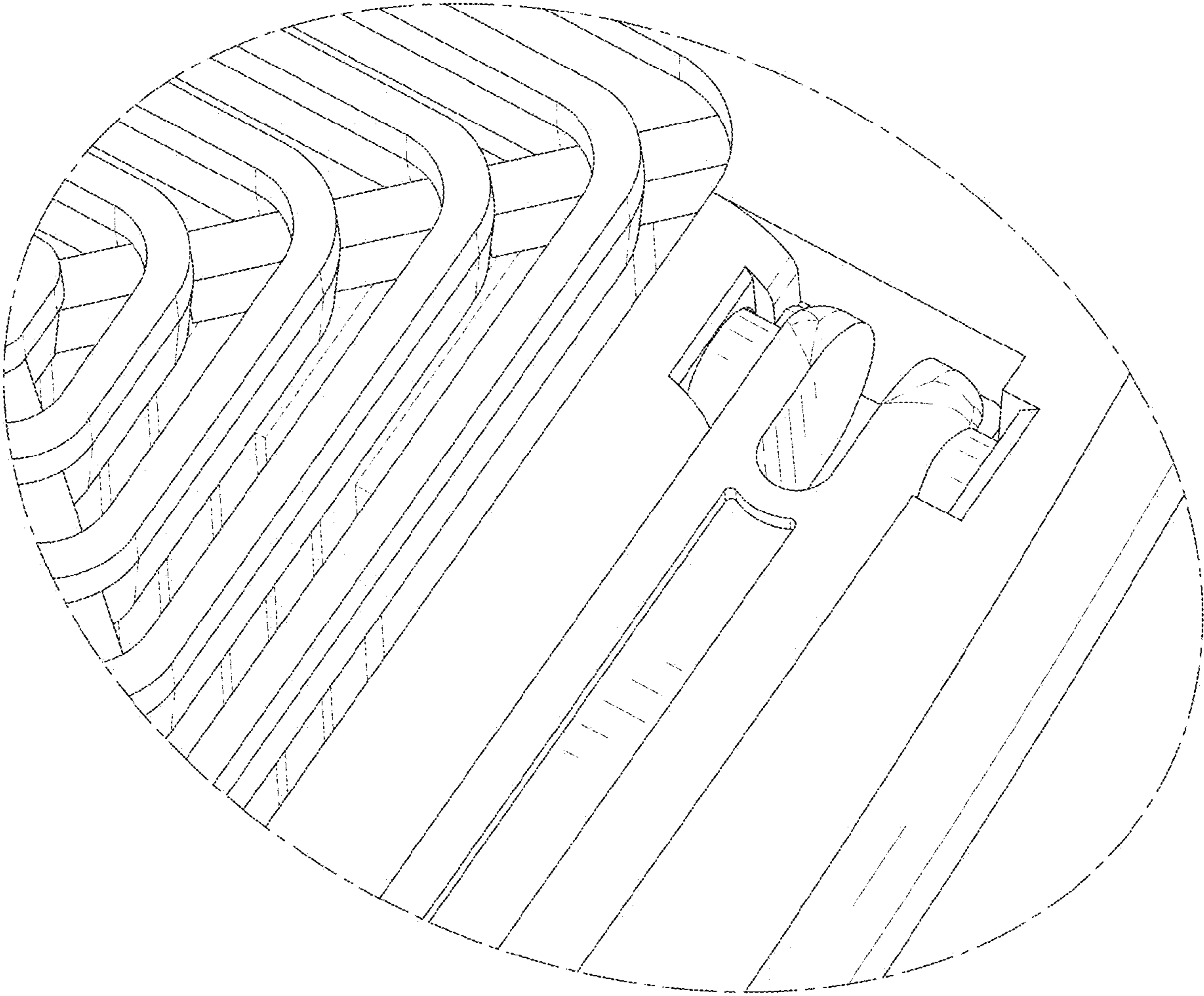


FIG. 11