

US00D961747S

(12) **United States Design Patent**  
**Strange**

(10) **Patent No.:** **US D961,747 S**

(45) **Date of Patent:** **\*\* Aug. 23, 2022**

(54) **FIRE PIT**

FOREIGN PATENT DOCUMENTS

(71) Applicant: **James Cleveland Strange**, Atlanta, GA  
(US)

GB 6004405 \* 12/2016  
GB 6093196 \* 6/2020  
GB 6152569 \* 8/2021

(72) Inventor: **James Cleveland Strange**, Atlanta, GA  
(US)

OTHER PUBLICATIONS

(\*\*) Term: **15 Years**

Fire Sense Romon Fire Pit, first available Nov. 1, 2011 [online], [site visited Jun. 6, 2022], Available from internet, URL:<<https://www.amazon.ca/Fire-Sense-Roman-Pit/dp/B004A9CE0Q>> (Year: 2011).\*

(21) Appl. No.: **29/739,961**

\* cited by examiner

(22) Filed: **Jun. 30, 2020**

(51) **LOC (13) Cl.** ..... **23-03**

*Primary Examiner* — David G Muller

(52) **U.S. Cl.**  
USPC ..... **D23/343**

*Assistant Examiner* — Jamaal Rasheed

(58) **Field of Classification Search**  
USPC ..... D23/339–346, 403–409, 416; D7/352,  
D7/402–405, 407

(74) *Attorney, Agent, or Firm* — Eversheds Sutherland  
(US) LLP

CPC ..... A47J 37/04; F23B 20/00; F23C 1/16  
See application file for complete search history.

(57) **CLAIM**

The ornamental design for a fire pit, as shown and described.

(56) **References Cited**

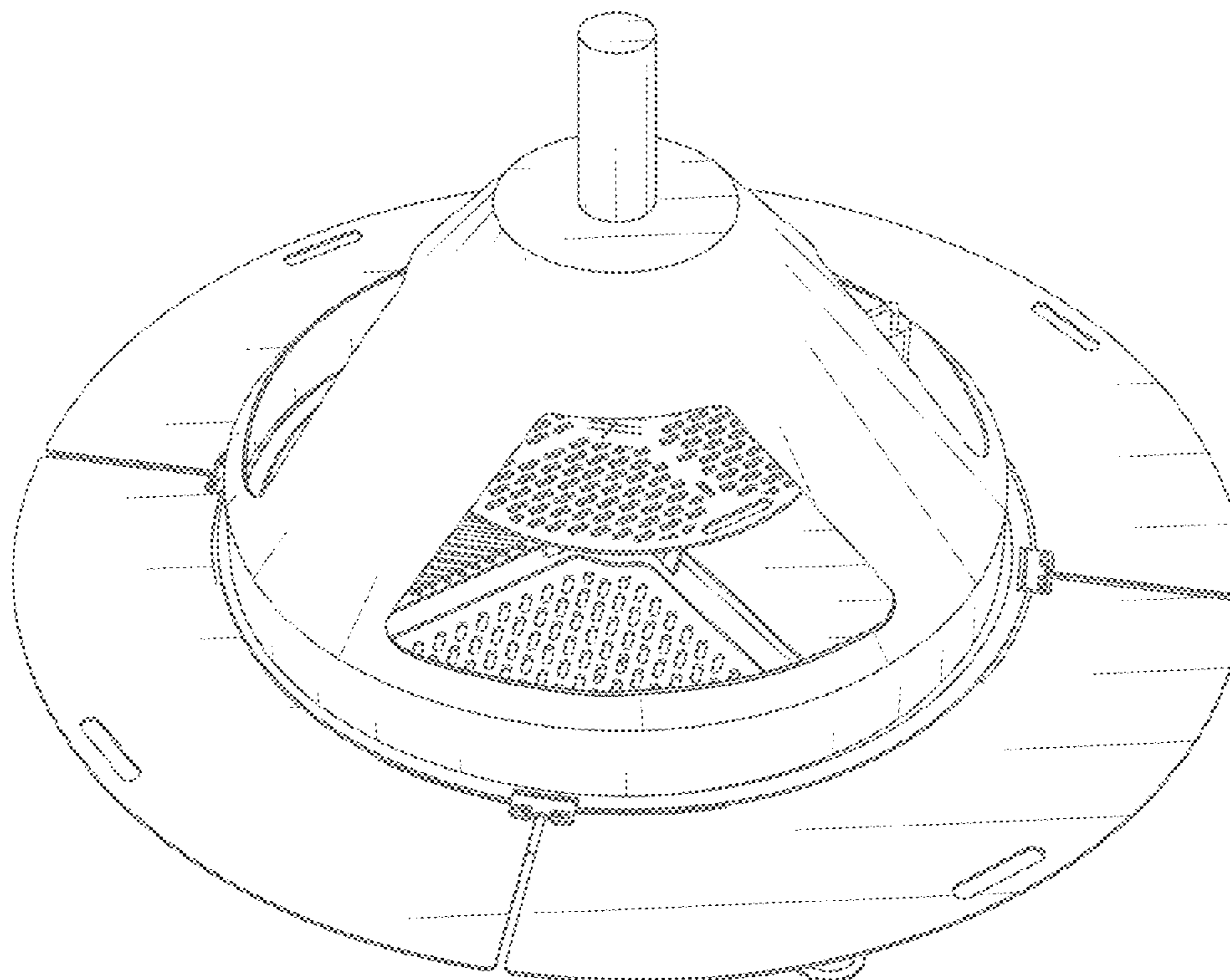
**DESCRIPTION**

U.S. PATENT DOCUMENTS

- 4,216,760 A \* 8/1980 Wiggins ..... F24B 1/181  
126/518
- D382,633 S \* 8/1997 Clemmer ..... D23/314
- D765,231 S \* 8/2016 Horsfield ..... D23/343
- D790,677 S \* 6/2017 Horsfield ..... D23/343
- D844,125 S \* 3/2019 Horsfield ..... D23/343
- D845,455 S \* 4/2019 Horsfield ..... D23/332
- 11,015,818 B1 \* 5/2021 Ritchie ..... A47J 37/0704
- 2021/0404663 A1 \* 12/2021 Strange ..... A47J 37/0704

FIG. 1 is an upper perspective view of a fire pit, showing my new design;  
FIG. 2 is a lower perspective view thereof;  
FIG. 3 is a side view thereof;  
FIG. 4 is a side view thereof;  
FIG. 5 is a top view thereof;  
FIG. 6 is a bottom view thereof;  
FIG. 7 is an exploded view thereof with the bearings omitted; and,  
FIG. 8 is an upper perspective thereof including a gas insert and the hood and grill components omitted.

**1 Claim, 8 Drawing Sheets**



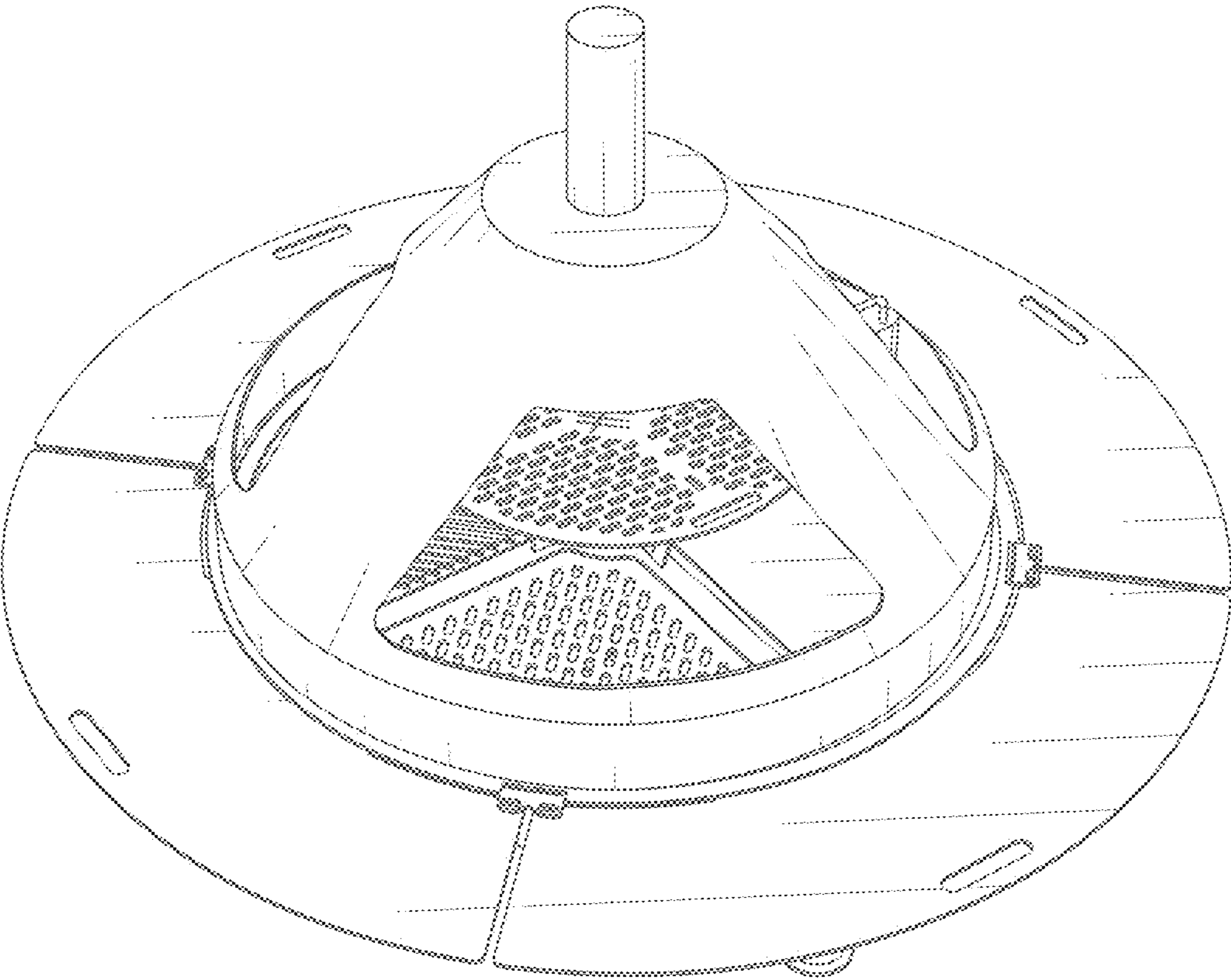


FIG. 1

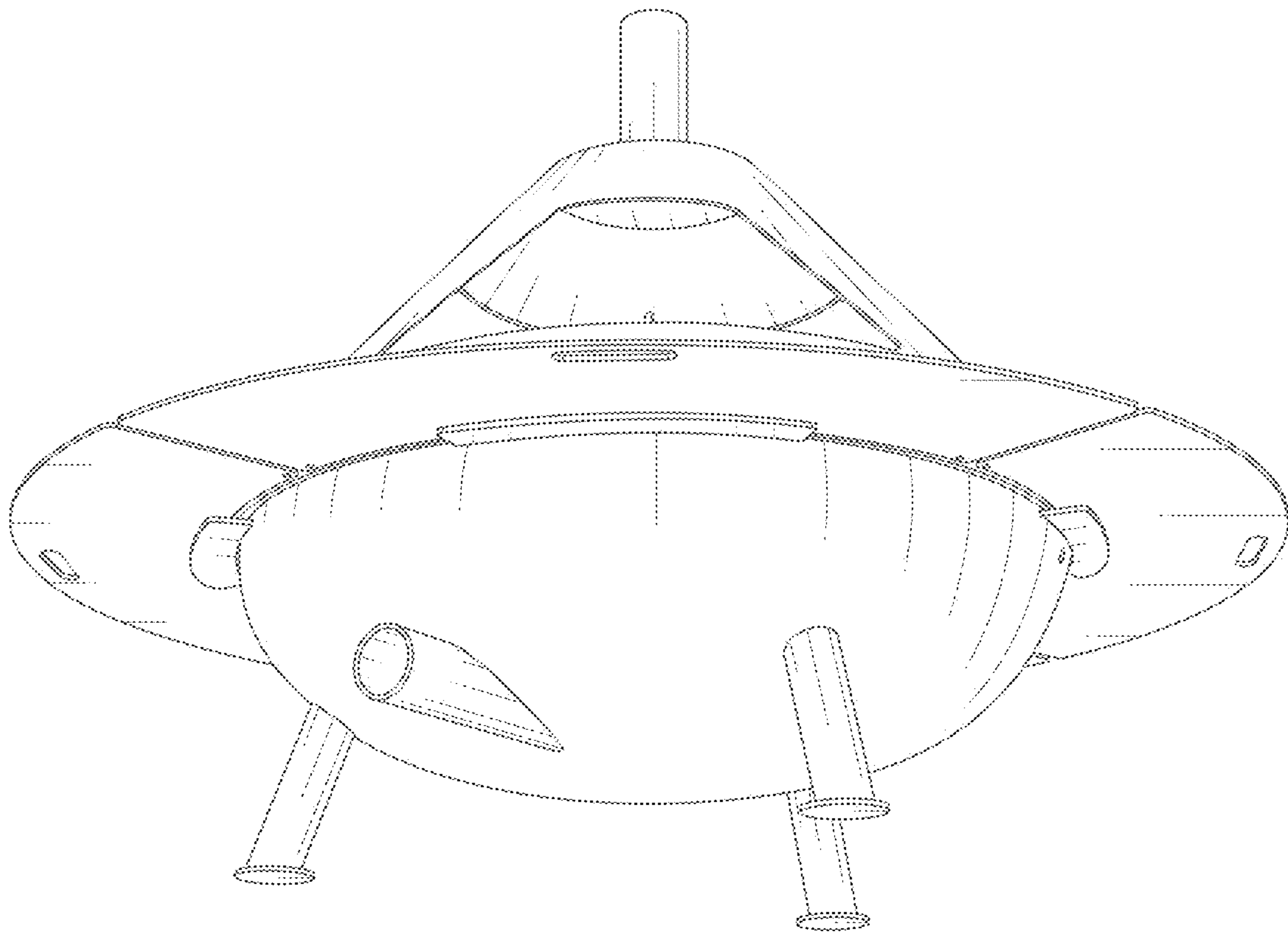


FIG. 2

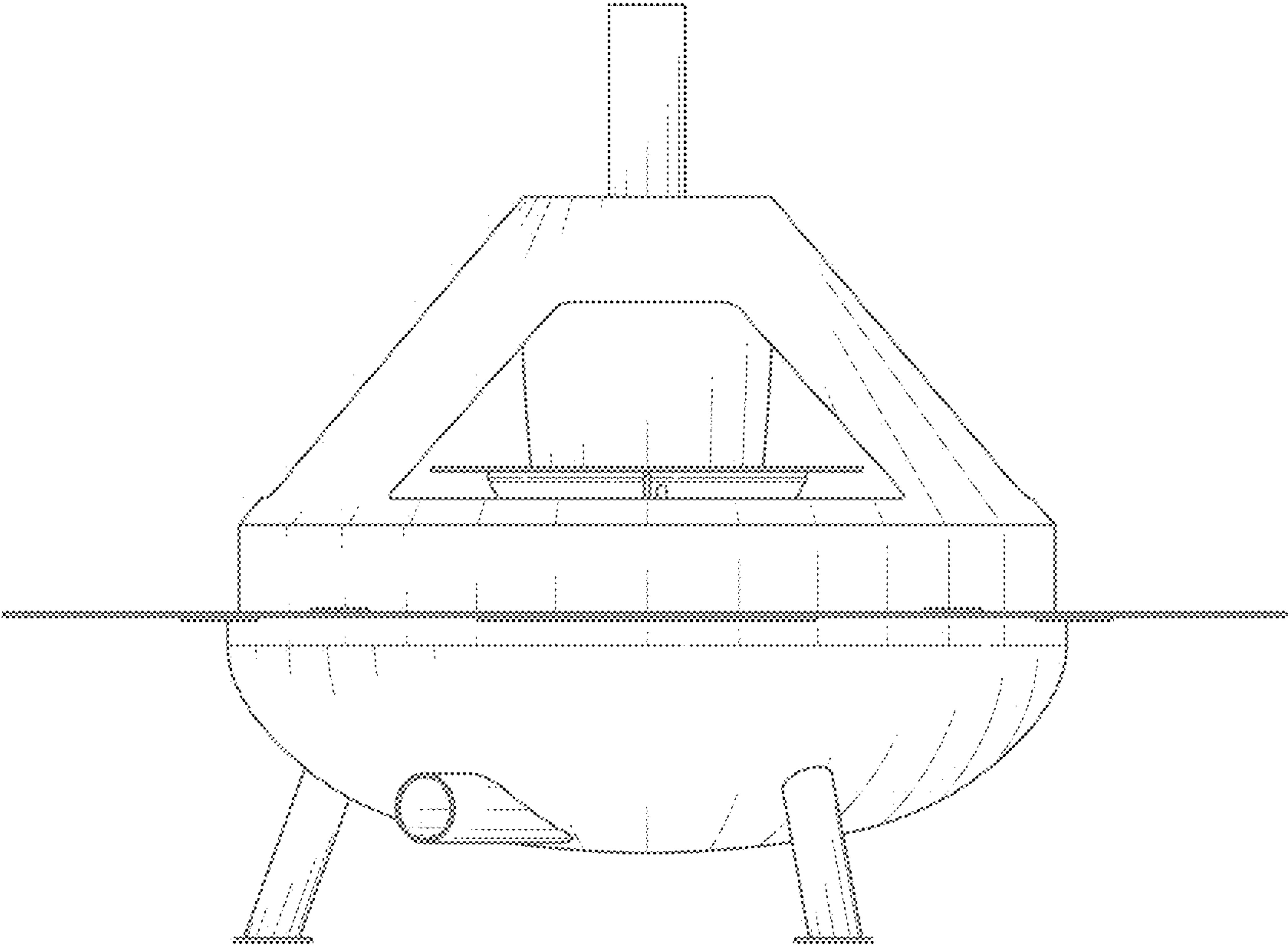


FIG. 3

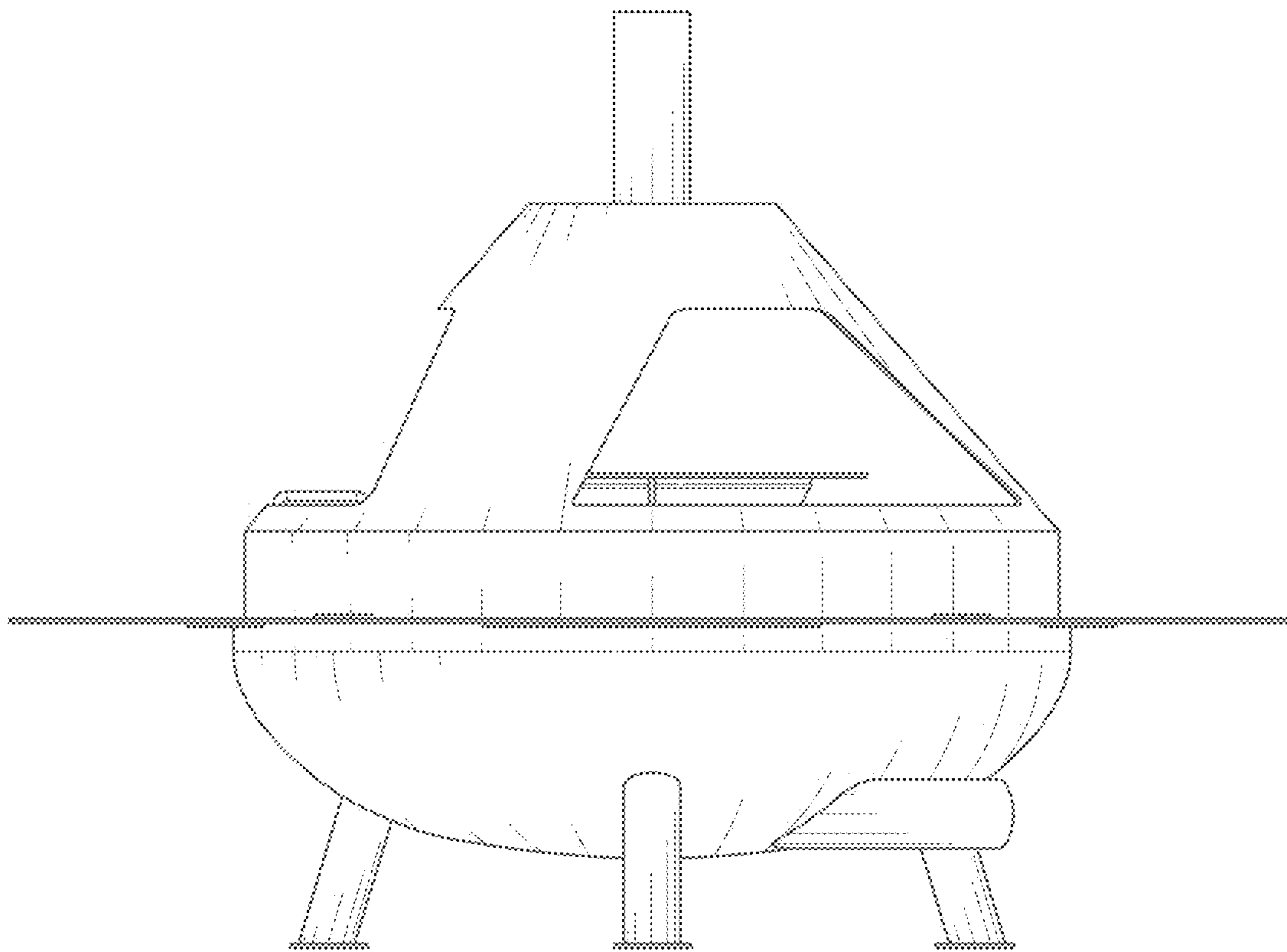


FIG. 4

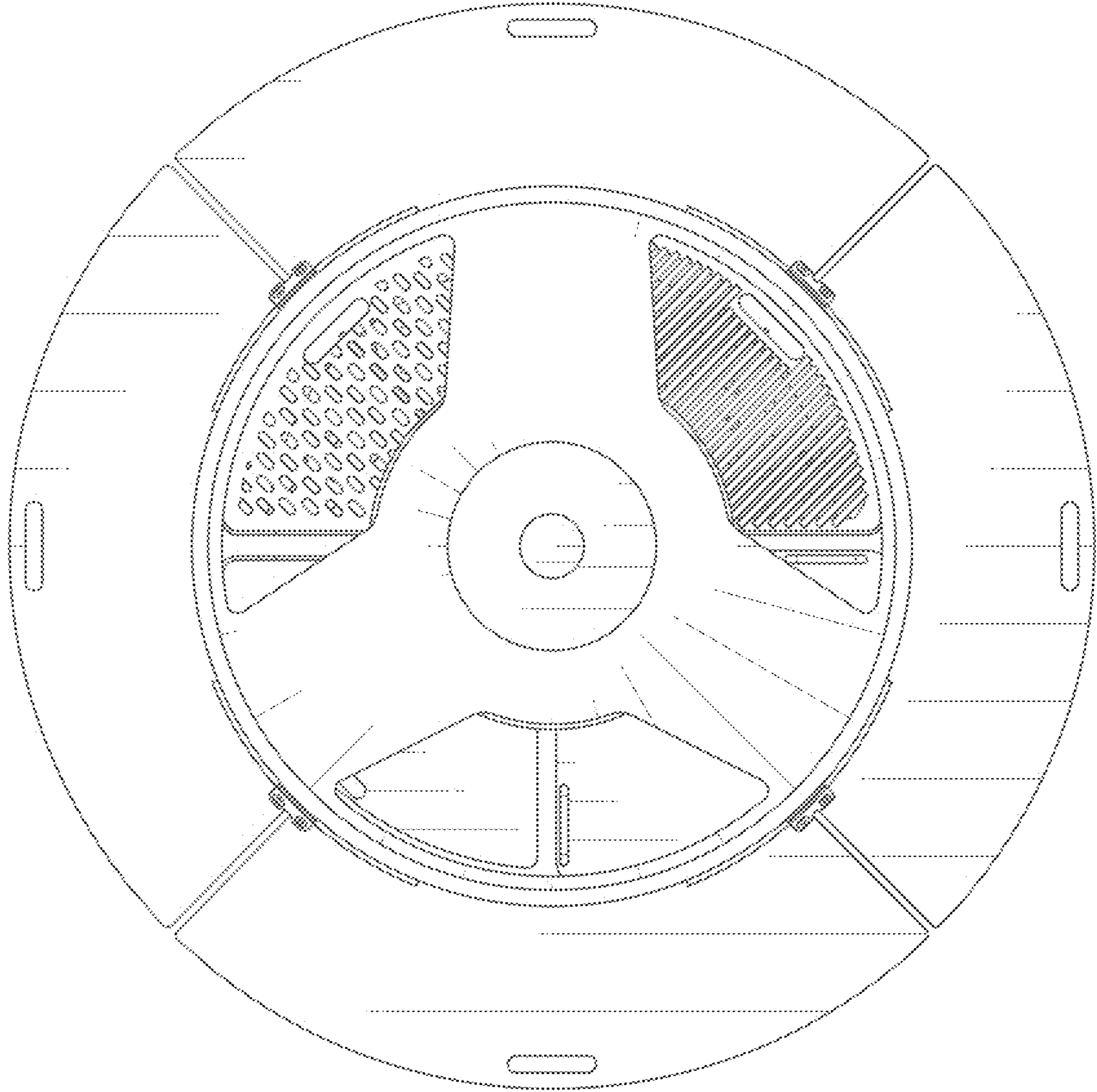


FIG. 5

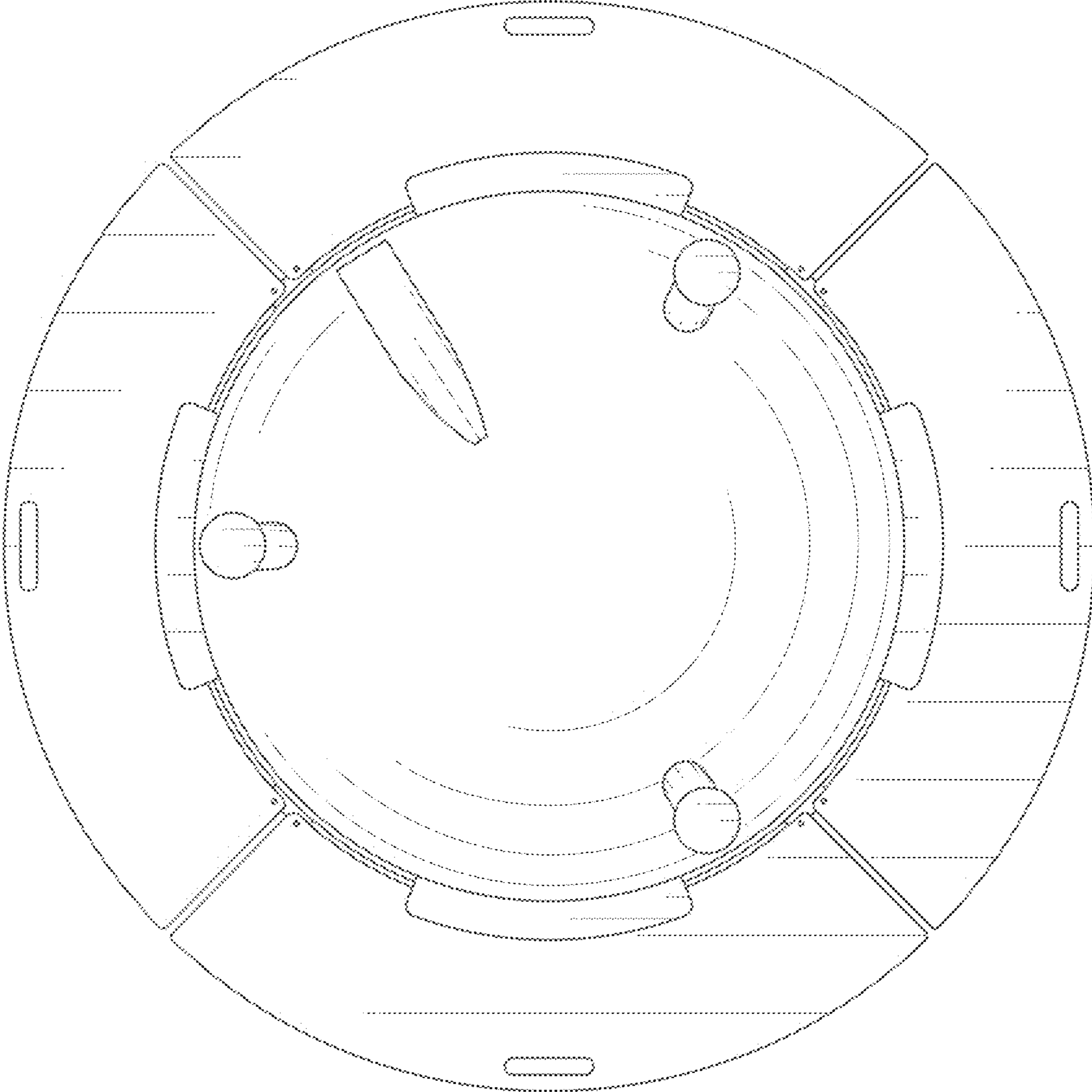


FIG. 6

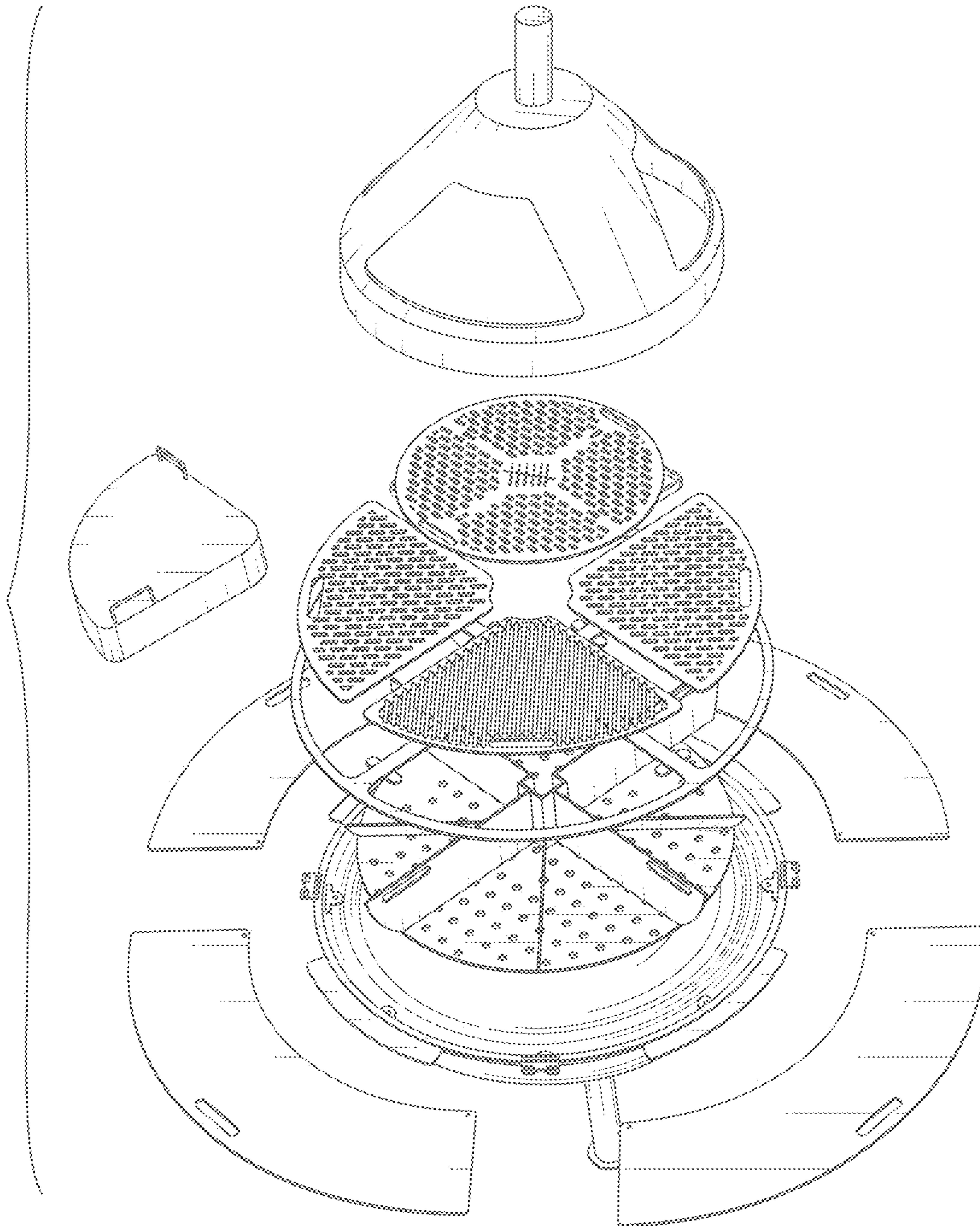


FIG. 7



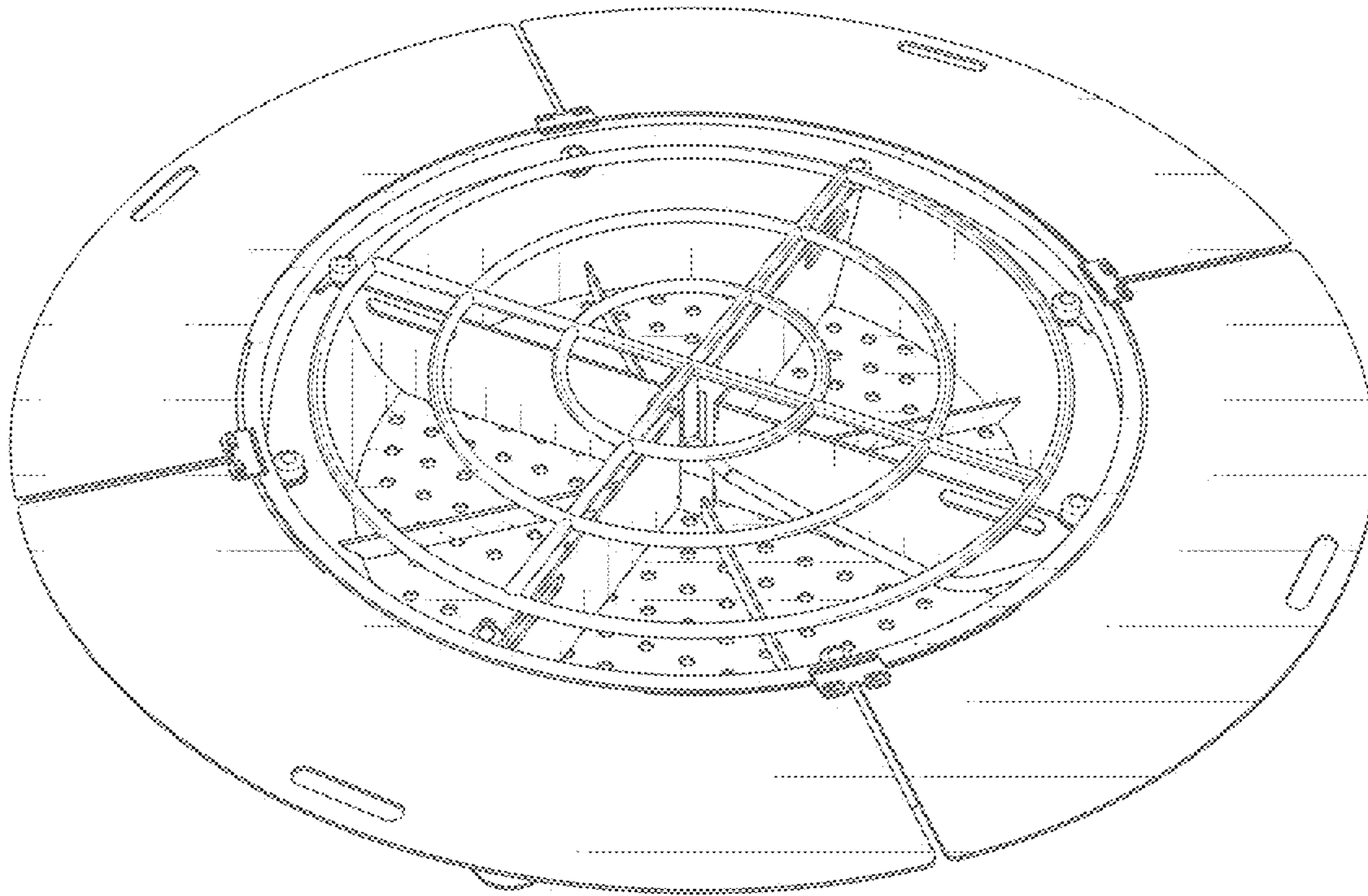


FIG. 8