



US00D961743S

(12) **United States Design Patent** (10) **Patent No.:** **US D961,743 S**
Ayala (45) **Date of Patent:** **** Aug. 23, 2022**

- (54) **TOILET**
- (71) Applicant: **Kohler Co.**, Kohler, WI (US)
- (72) Inventor: **Diego Alejandro Cuervo Ayala**, Sheboygan, WI (US)
- (73) Assignee: **Kohler Co.**, Kohler, WI (US)
- (**) Term: **15 Years**
- (21) Appl. No.: **29/810,739**
- (22) Filed: **Oct. 7, 2021**

- D831,799 S 10/2018 Obara et al.
- D884,847 S 5/2020 Otsuka et al.
- D884,849 S 5/2020 Garrels et al.

Primary Examiner — Robert A Delehanty
 (74) *Attorney, Agent, or Firm* — Lempia Summerfield Katz LLC

(57) **CLAIM**

I claim the ornamental design for a toilet, as shown and described.

DESCRIPTION

FIG. 1 is a perspective view of another embodiment of the claimed design;
 FIG. 2 is a front view of the embodiment of FIG. 1;
 FIG. 3 is a rear view of the embodiment of FIG. 1;
 FIG. 4 is a side view of the embodiment of FIG. 1;
 FIG. 5 is another side view of the embodiment of FIG. 1;
 FIG. 6 is a top view of the embodiment of FIG. 1; and,
 FIG. 7 is a bottom view of the embodiment of FIG. 1.
 The ornamental design that is claimed is shown in the drawings as solid lines and surfaces having surface shading. The broken lines in the drawings are for illustrative purposes only and form no part of the claimed design. For example, broken lines formed by equal length dashes show unclaimed portions of the design. Broken lines formed of unequal length dashes (i.e., dash-dot) show boundaries between either claimed and unclaimed portions of the design or between unclaimed and unclaimed portions of the design.

1 Claim, 7 Drawing Sheets

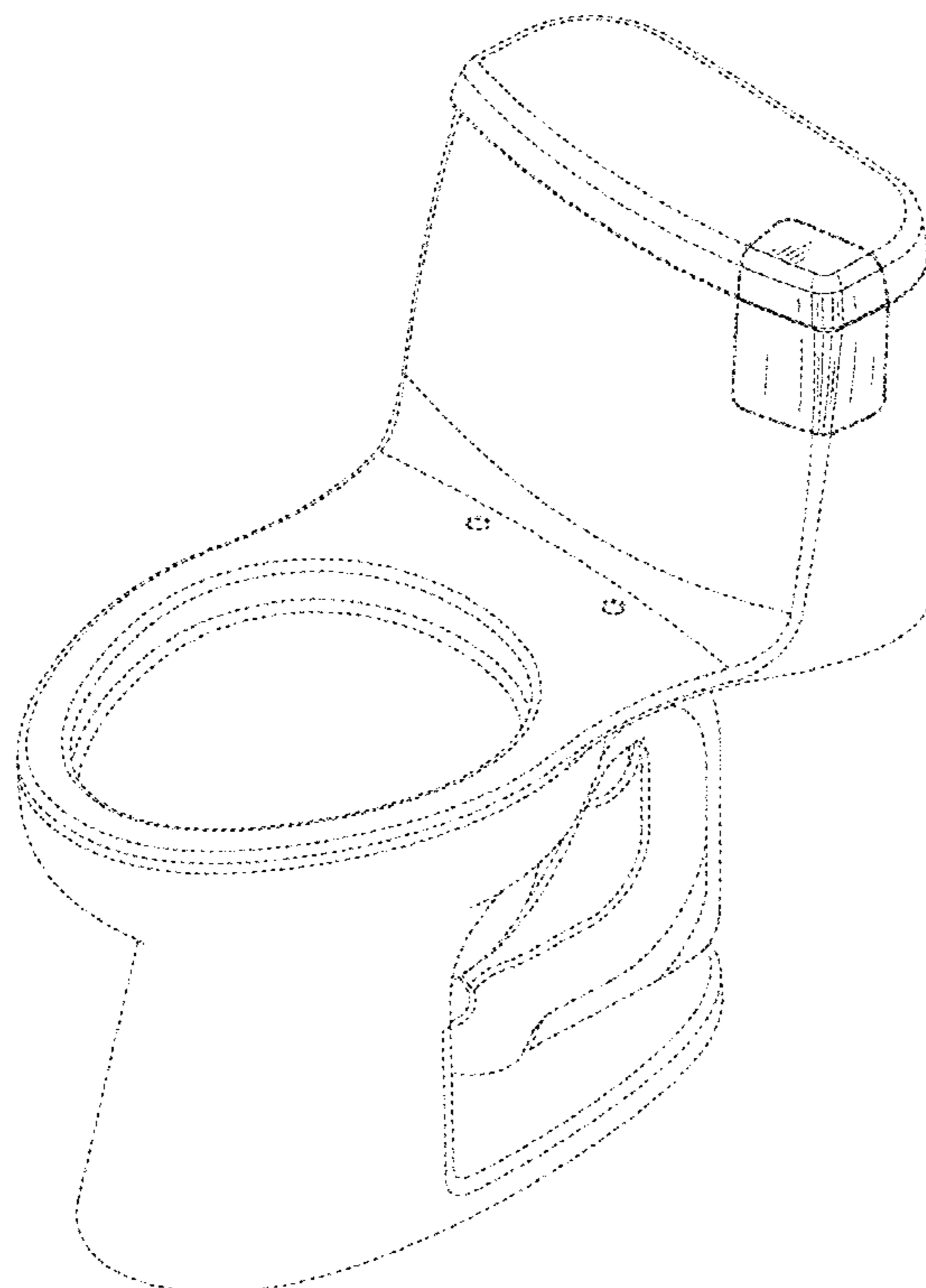
Related U.S. Application Data

- (62) Division of application No. 29/721,146, filed on Jan. 17, 2020, now Pat. No. Des. 935,582.
- (51) **LOC (13) Cl.** **23-02**
- (52) **U.S. Cl.**
USPC **D23/313**
- (58) **Field of Classification Search**
USPC D23/295, 301, 309, 313
See application file for complete search history.

References Cited

U.S. PATENT DOCUMENTS

- D346,854 S 5/1994 Reid
- D437,634 S 2/2001 Hundley
- D439,638 S 3/2001 Hundley
- D514,208 S 1/2006 Gordon
- D532,875 S 11/2006 Kaule
- D601,233 S 9/2009 Kergoet
- D801,493 S 10/2017 Bates et al.



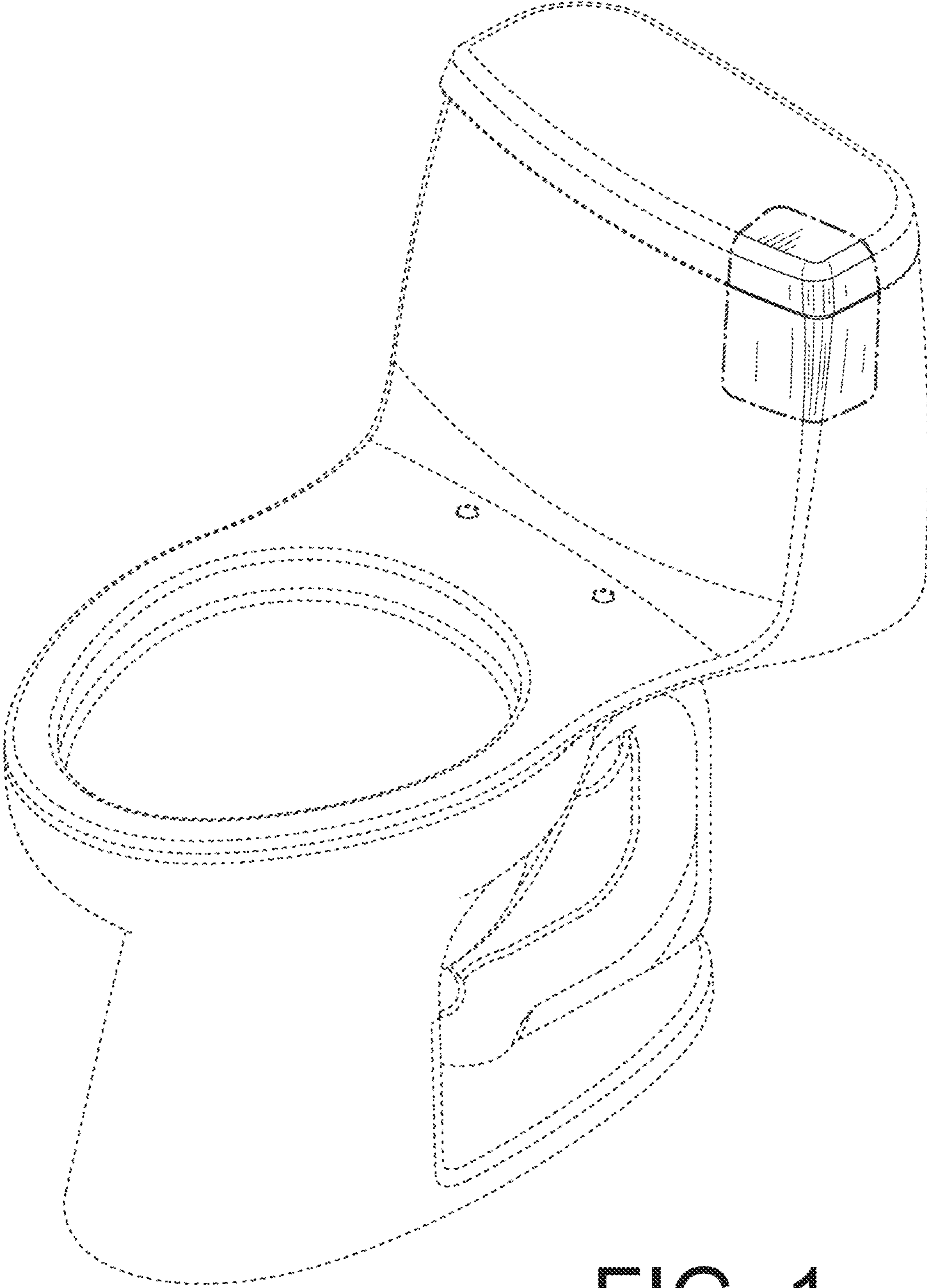


FIG. 1

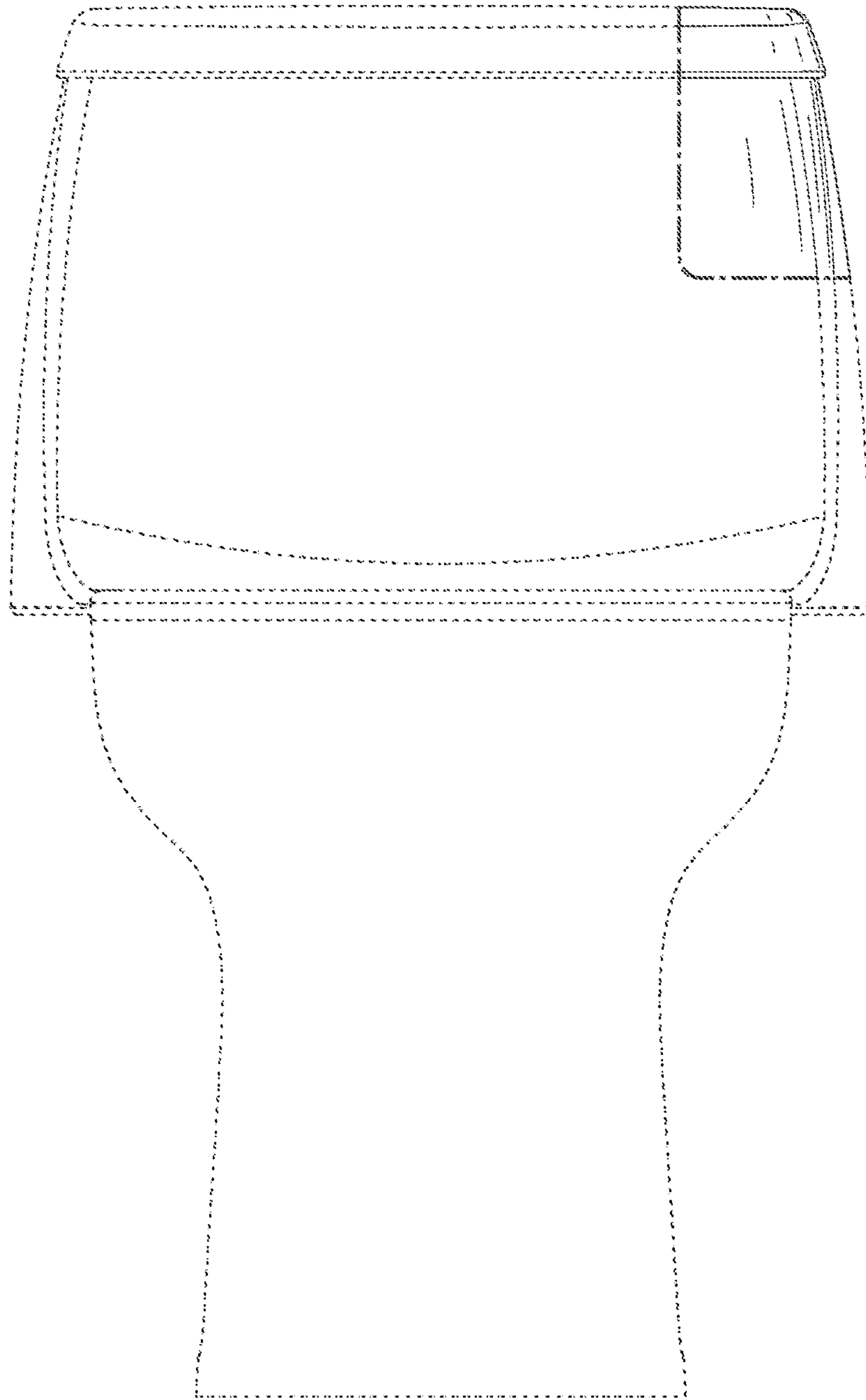


FIG. 2

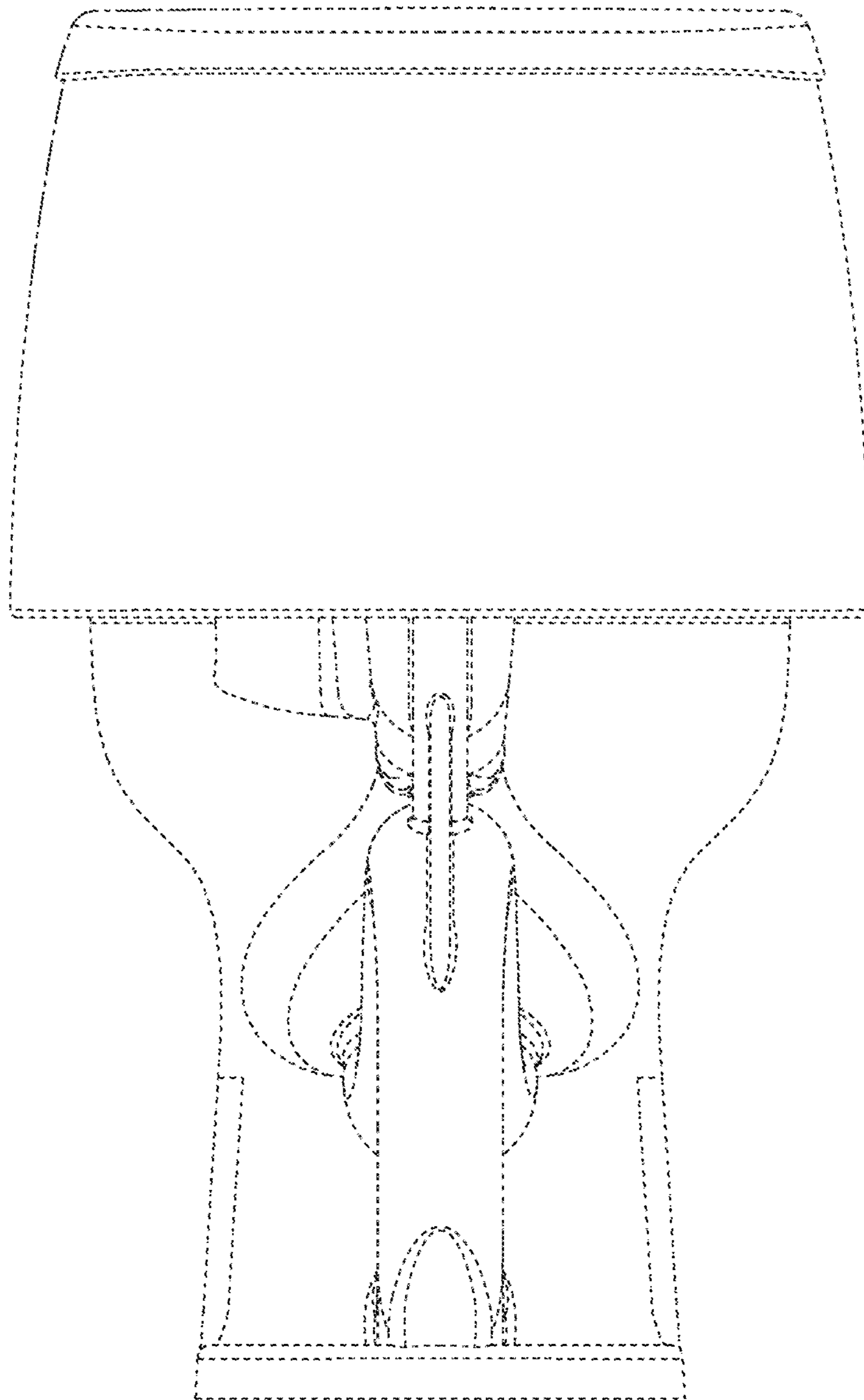
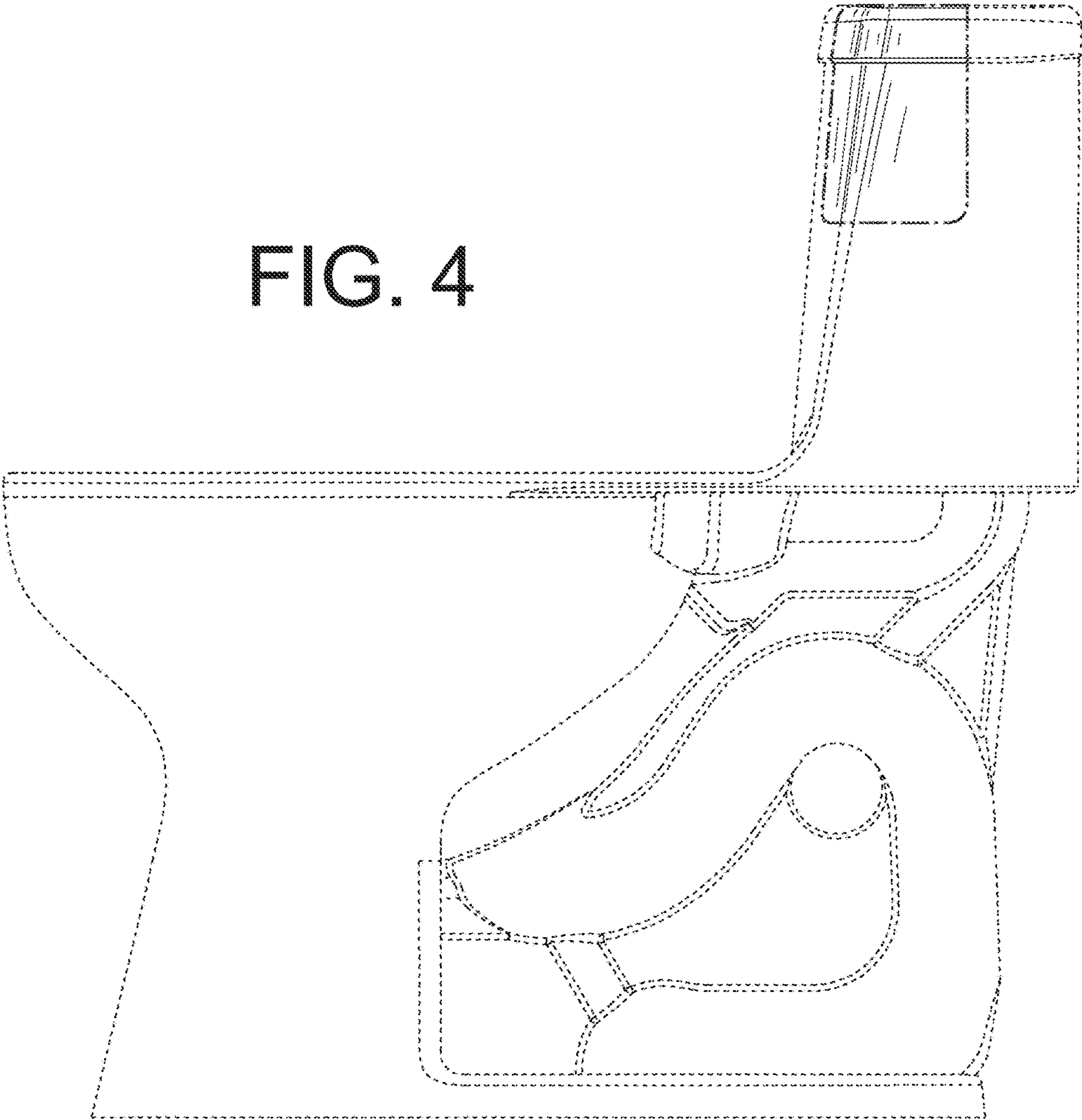


FIG. 3

FIG. 4



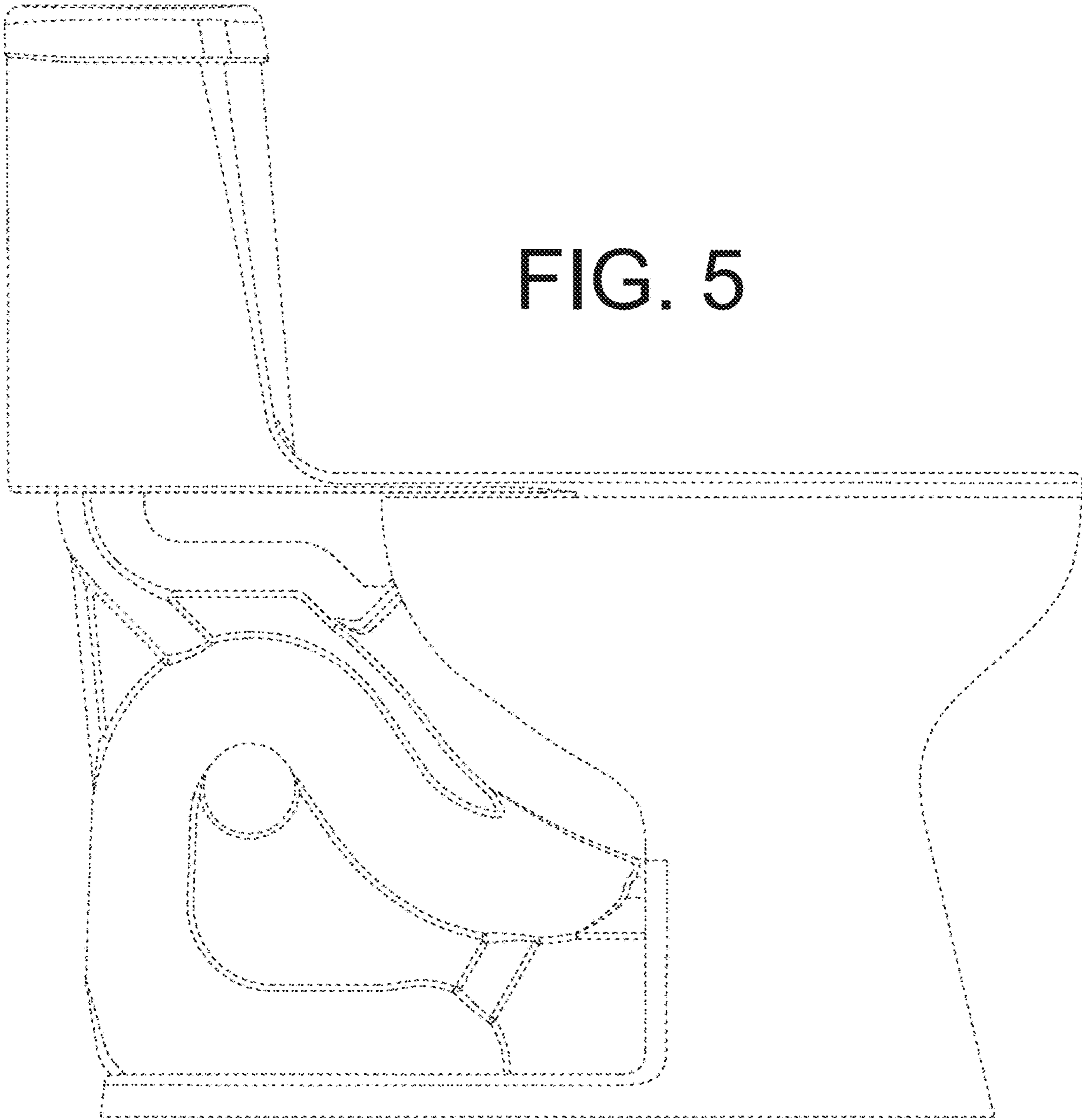


FIG. 5

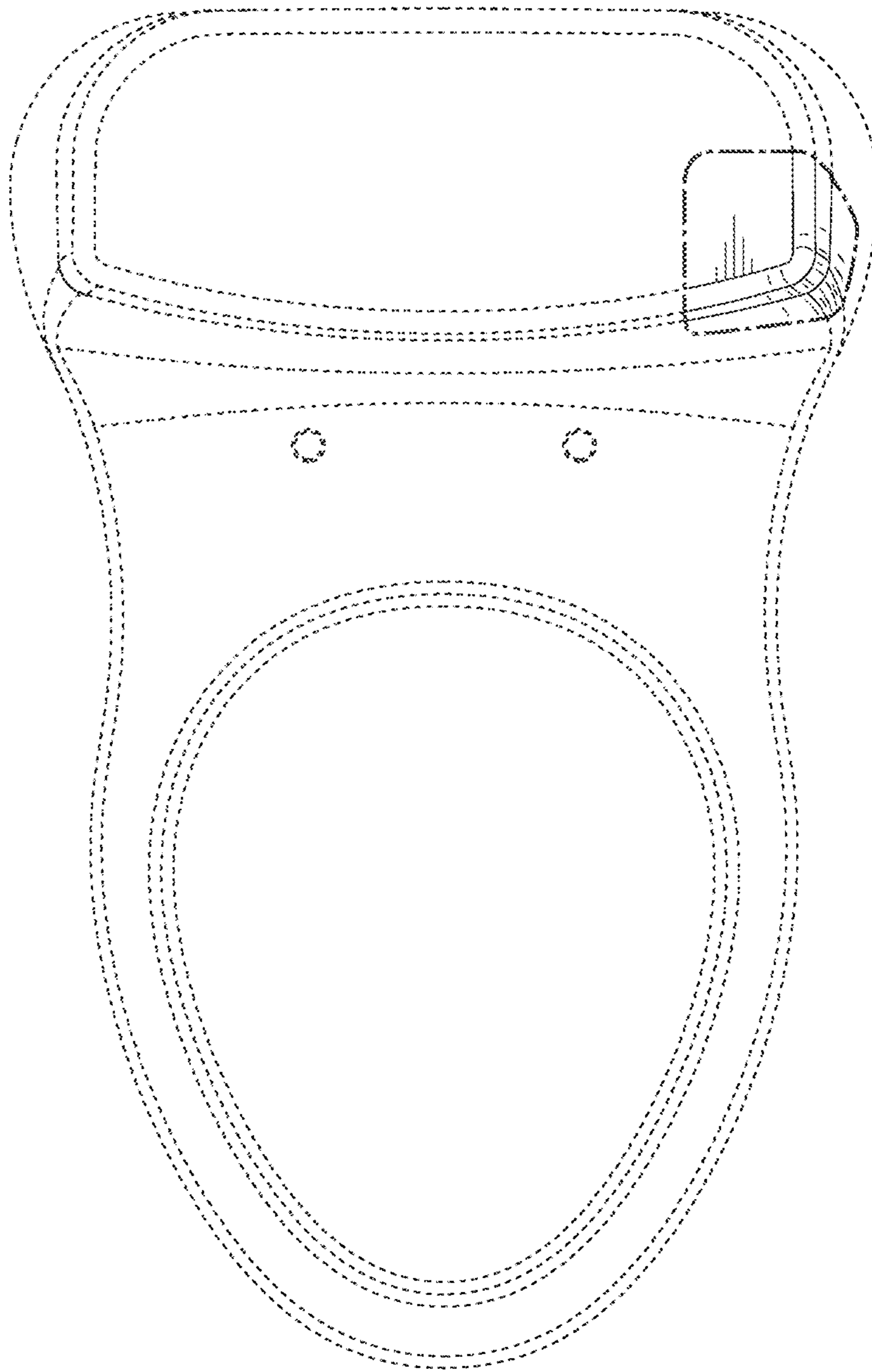


FIG. 6

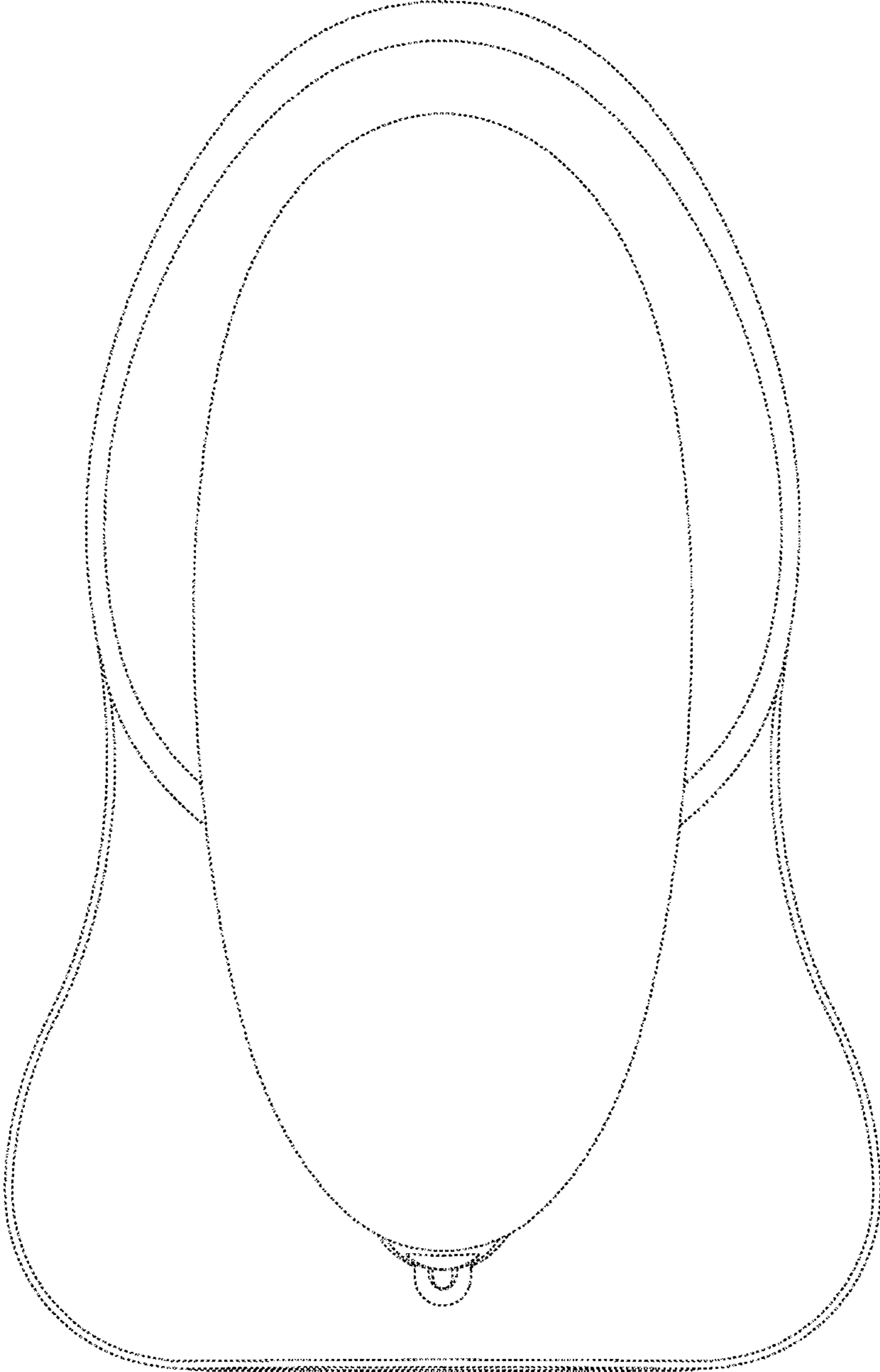


FIG. 7