

US00D961742S

(12) **United States Design Patent** (10) **Patent No.:** **US D961,742 S**
Lee (45) **Date of Patent:** **** Aug. 23, 2022**

(54) **TOILET**
(71) Applicant: **Kohler Co.**, Kohler, WI (US)
(72) Inventor: **Dongha Lee**, Sheboygan, WI (US)
(73) Assignee: **Kohler Co.**, Kohler, WI (US)
(**) Term: **15 Years**
(21) Appl. No.: **29/810,738**
(22) Filed: **Oct. 7, 2021**

D806,842 S 1/2018 Goad
D829,871 S 10/2018 Garrels et al.
D882,739 S 4/2020 Otsuka et al.
D884,849 S 5/2020 Garrels et al.

OTHER PUBLICATIONS

Kohler—Cimarron Comfort Height Toilet Specification Sheet—
Dec. 7, 2019; 2 pages.

Primary Examiner — Robert A Delehanty
(74) *Attorney, Agent, or Firm* — Lempia Summerfield
Katz LLC

Related U.S. Application Data

(62) Division of application No. 29/717,657, filed on Dec.
18, 2019, now Pat. No. Des. 935,581.
(51) **LOC (13) Cl.** **23-02**
(52) **U.S. Cl.**
USPC **D23/303**
(58) **Field of Classification Search**
USPC D23/295, 301, 309, 313
See application file for complete search history.

(57) **CLAIM**

I claim the ornamental design for a toilet, as shown and
described.

DESCRIPTION

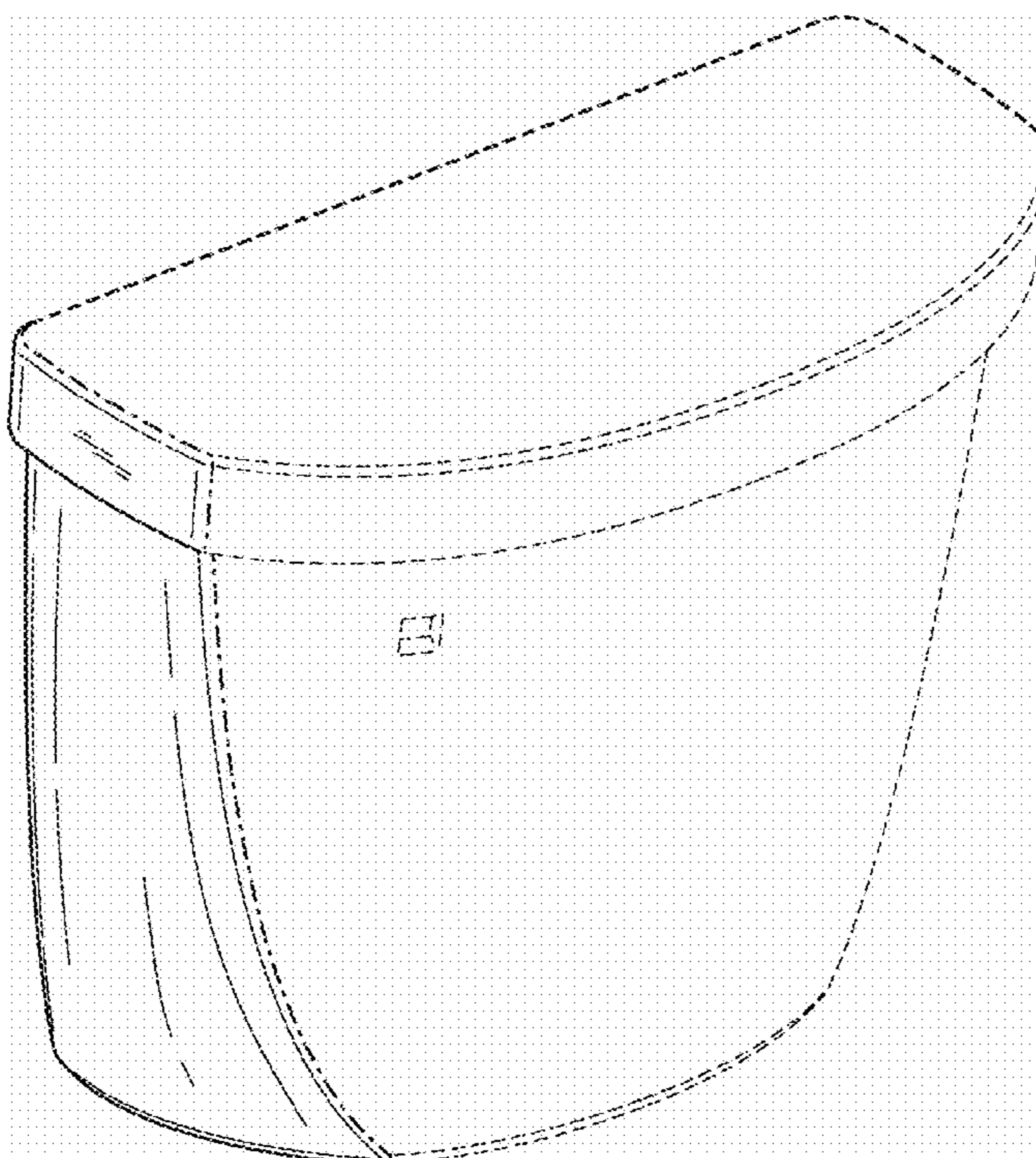
FIG. 1 is a perspective view of another embodiment of the
claimed design;
FIG. 2 is a front view of the embodiment of FIG. 1;
FIG. 3 is a rear view of the embodiment of FIG. 1;
FIG. 4 is a side view of the embodiment of FIG. 1;
FIG. 5 is another side view of the embodiment of FIG. 1;
FIG. 6 is a top view of the embodiment of FIG. 1; and,
FIG. 7 is a bottom view of the embodiment of FIG. 1.
The ornamental design which is claimed is shown in solid
lines in the drawings. The broken lines in the drawings are
for illustrative purposes only and form no part of the claimed
design. Broken lines formed by unequal length dashes (i.e.,
dash-dot) define bounds of the claimed design.

(56) **References Cited**

U.S. PATENT DOCUMENTS

D379,217 S 5/1997 Kergoet
D507,335 S 7/2005 Gordon
D514,208 S 1/2006 Gordon
D529,153 S 9/2006 Gordon
D594,942 S 6/2009 Slothower et al.
D601,233 S 9/2009 Kergoet
D602,137 S 10/2009 Kergoet
D641,459 S 7/2011 Corpuz, Jr. et al.
D672,019 S 12/2012 Bucher

1 Claim, 5 Drawing Sheets



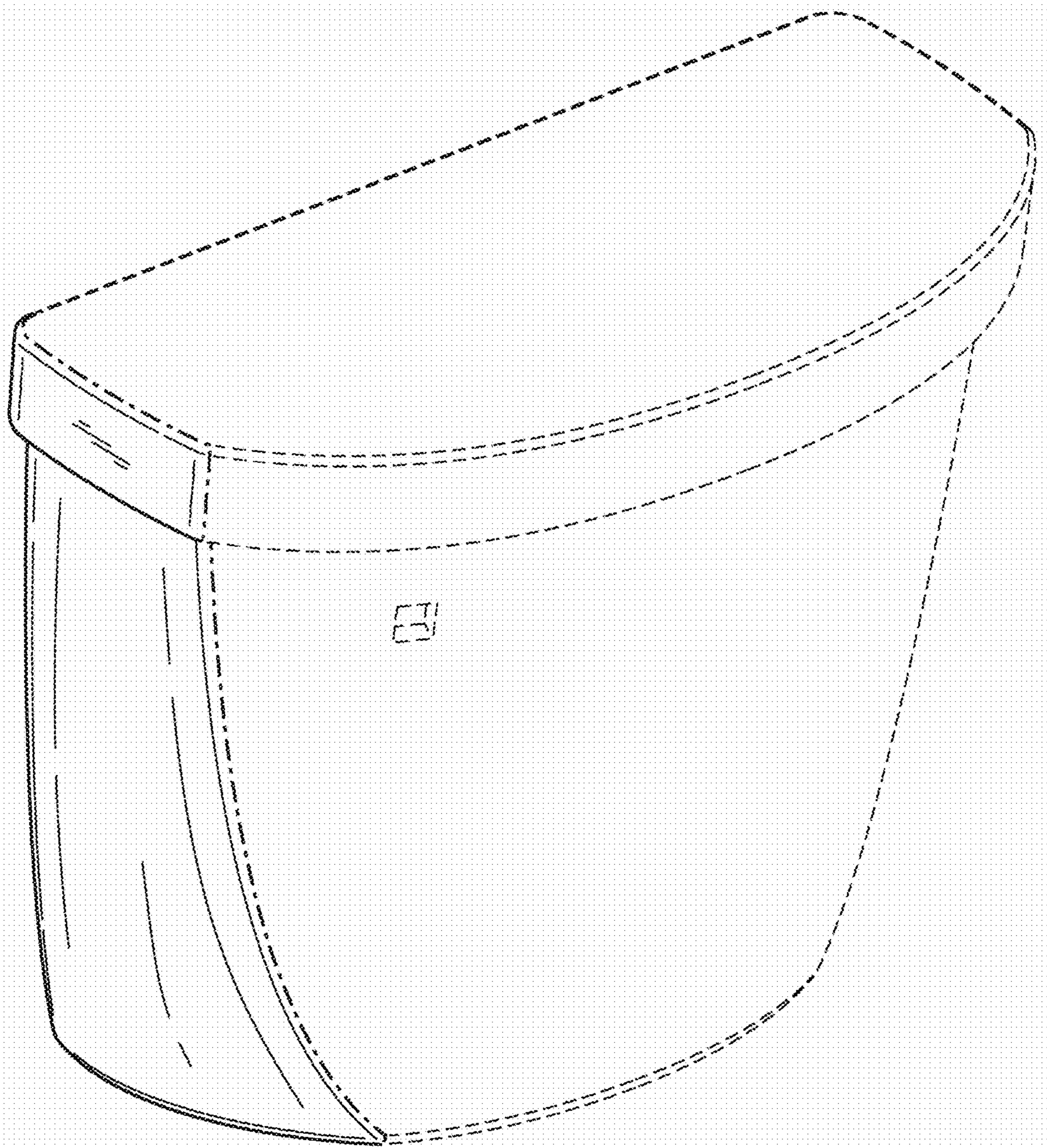


FIG. 1

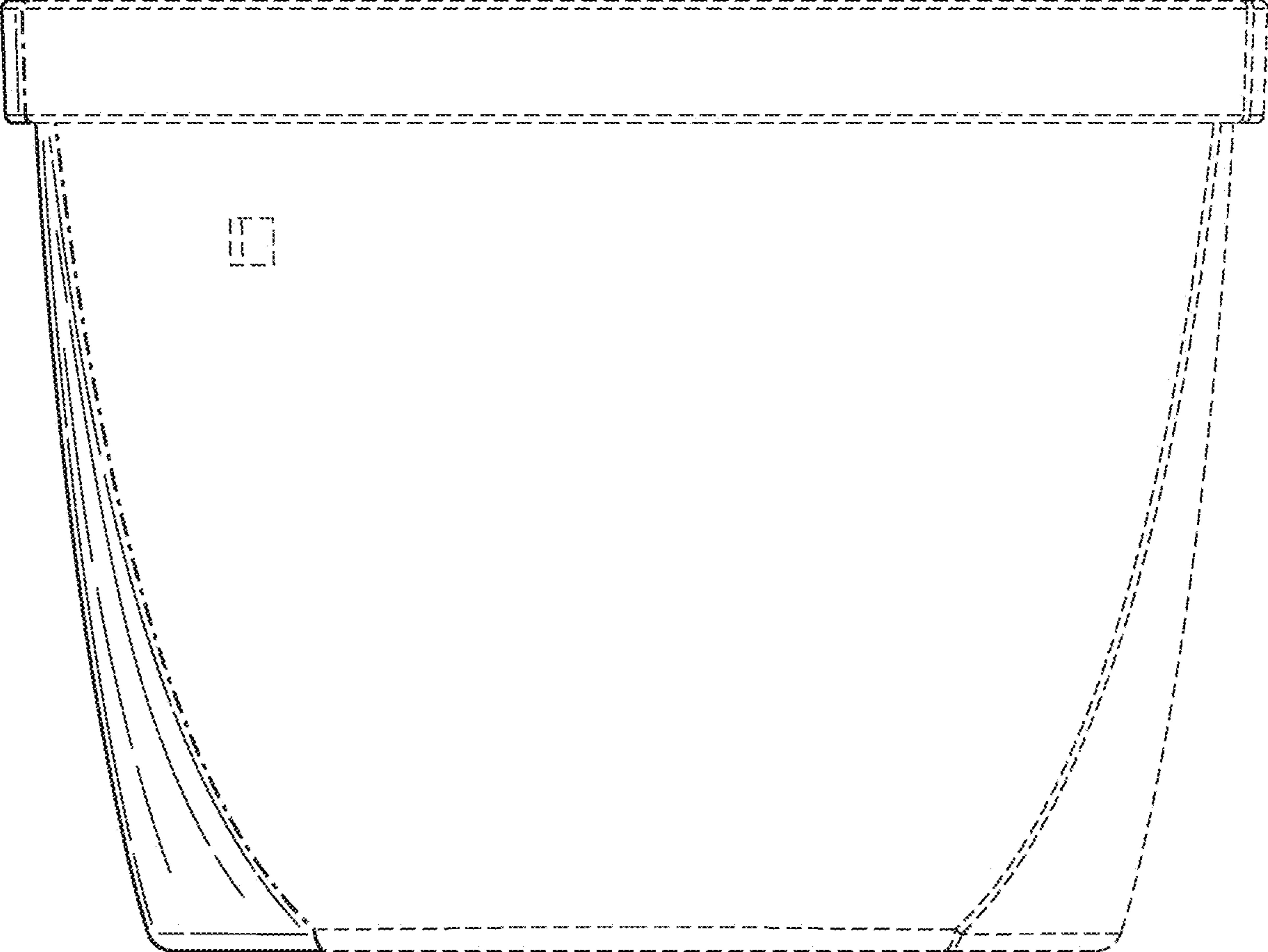


FIG. 2

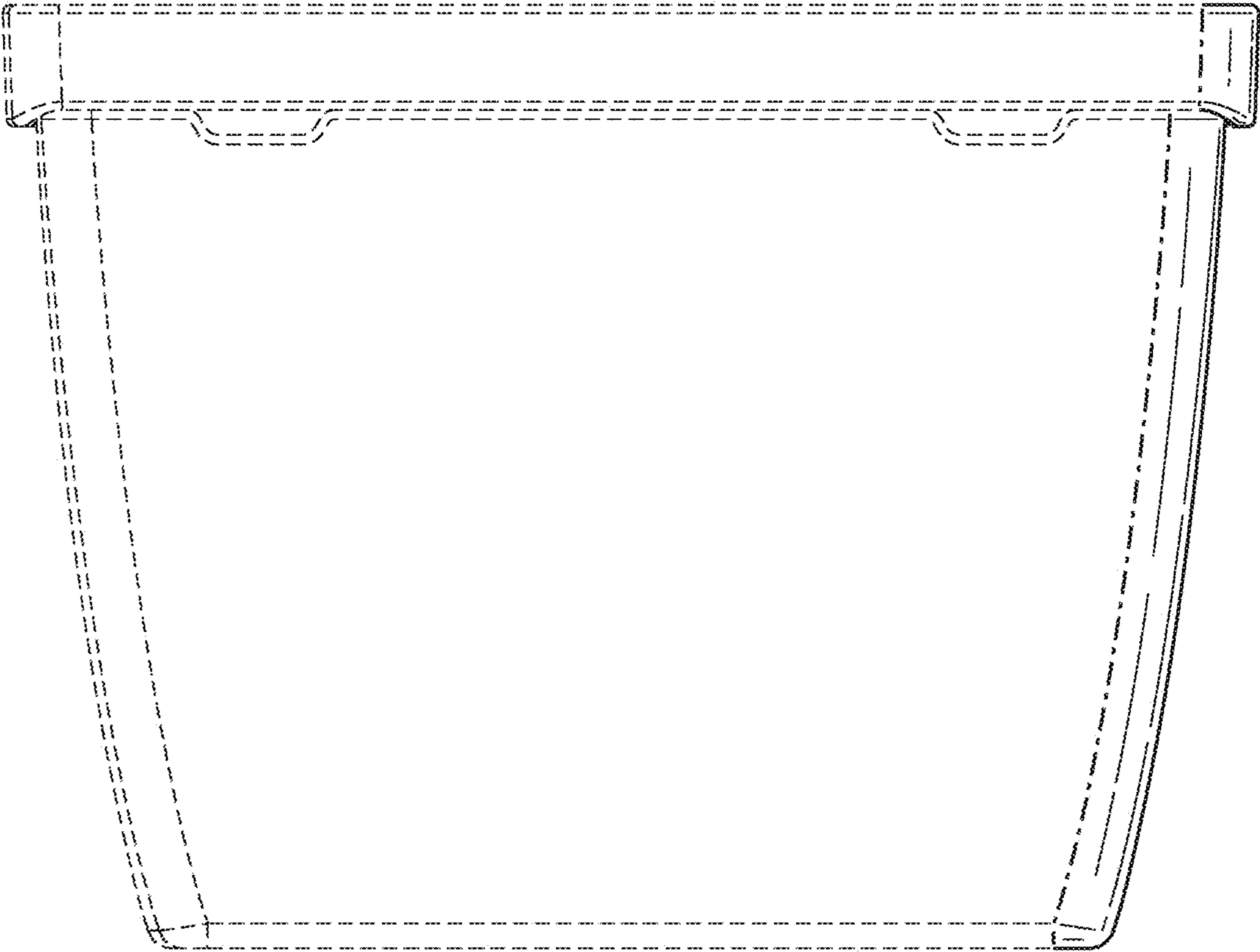


FIG. 3

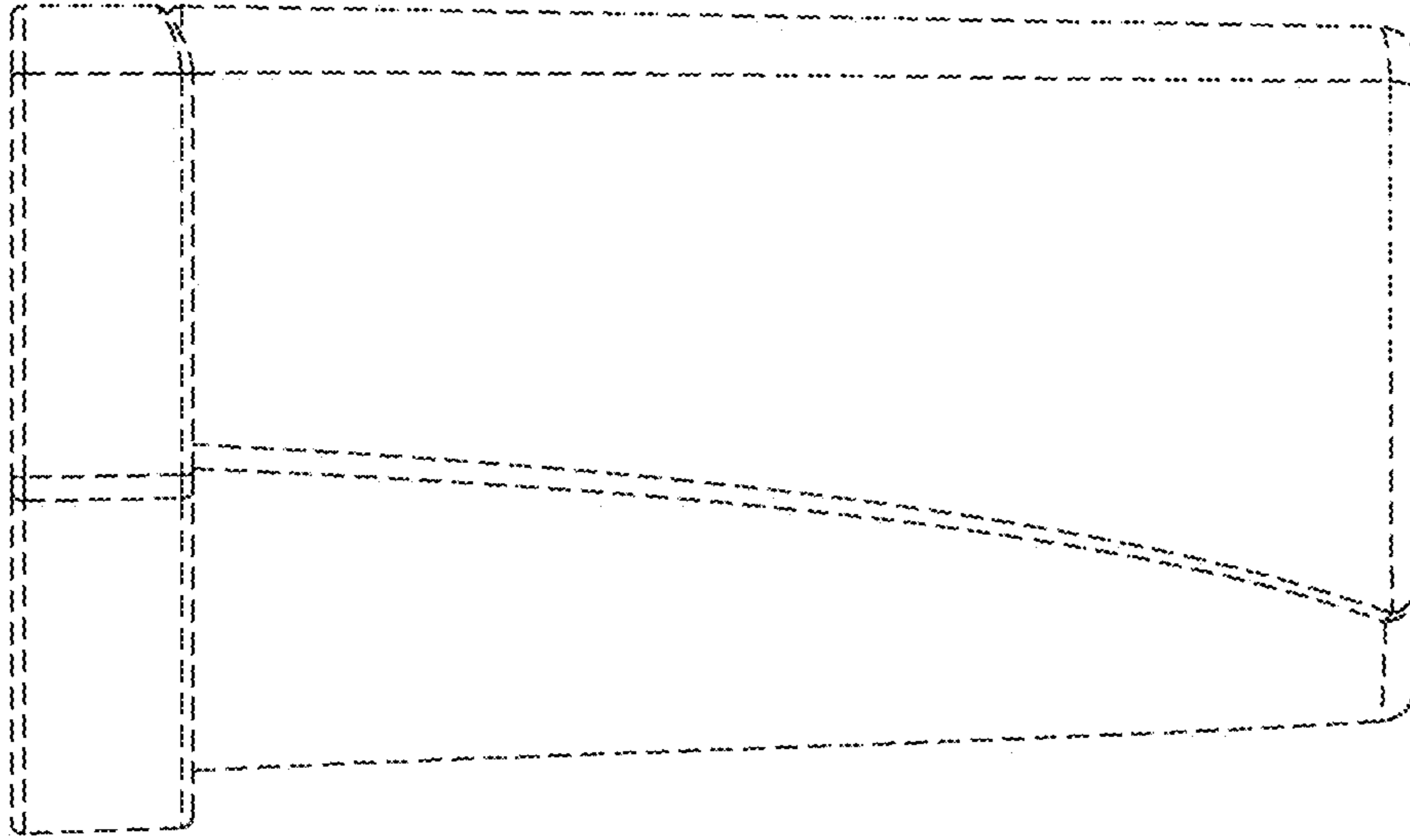


FIG. 5

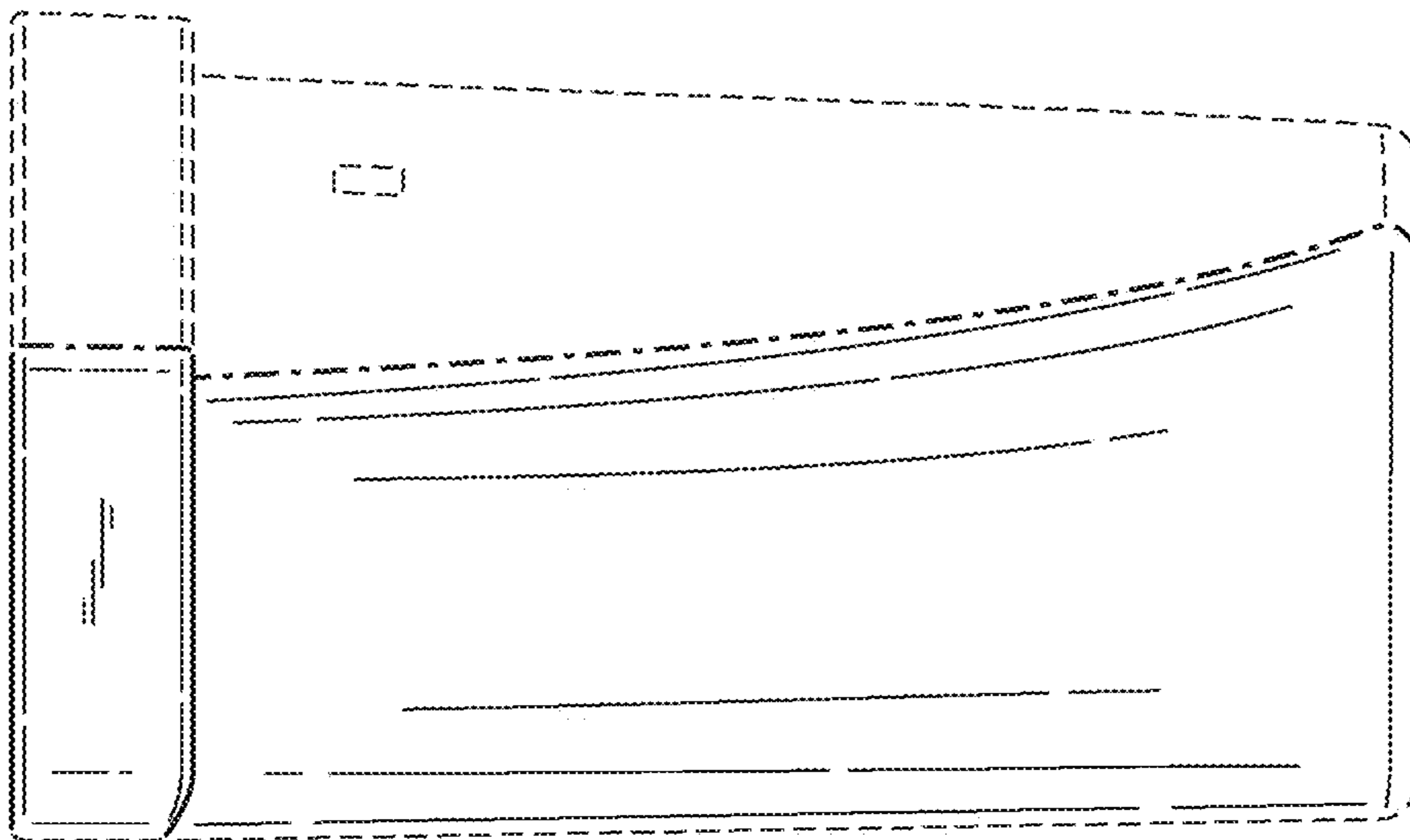


FIG. 4

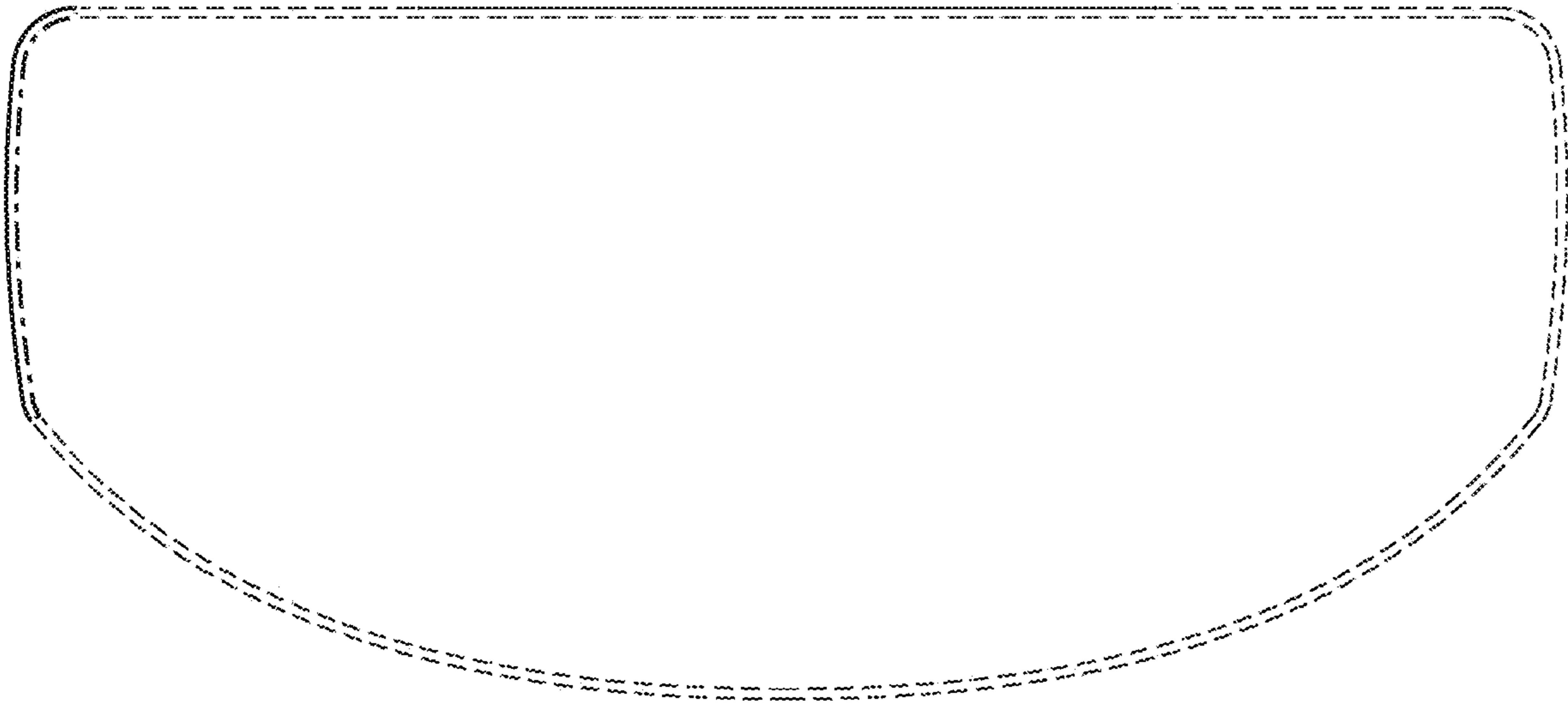


FIG. 6

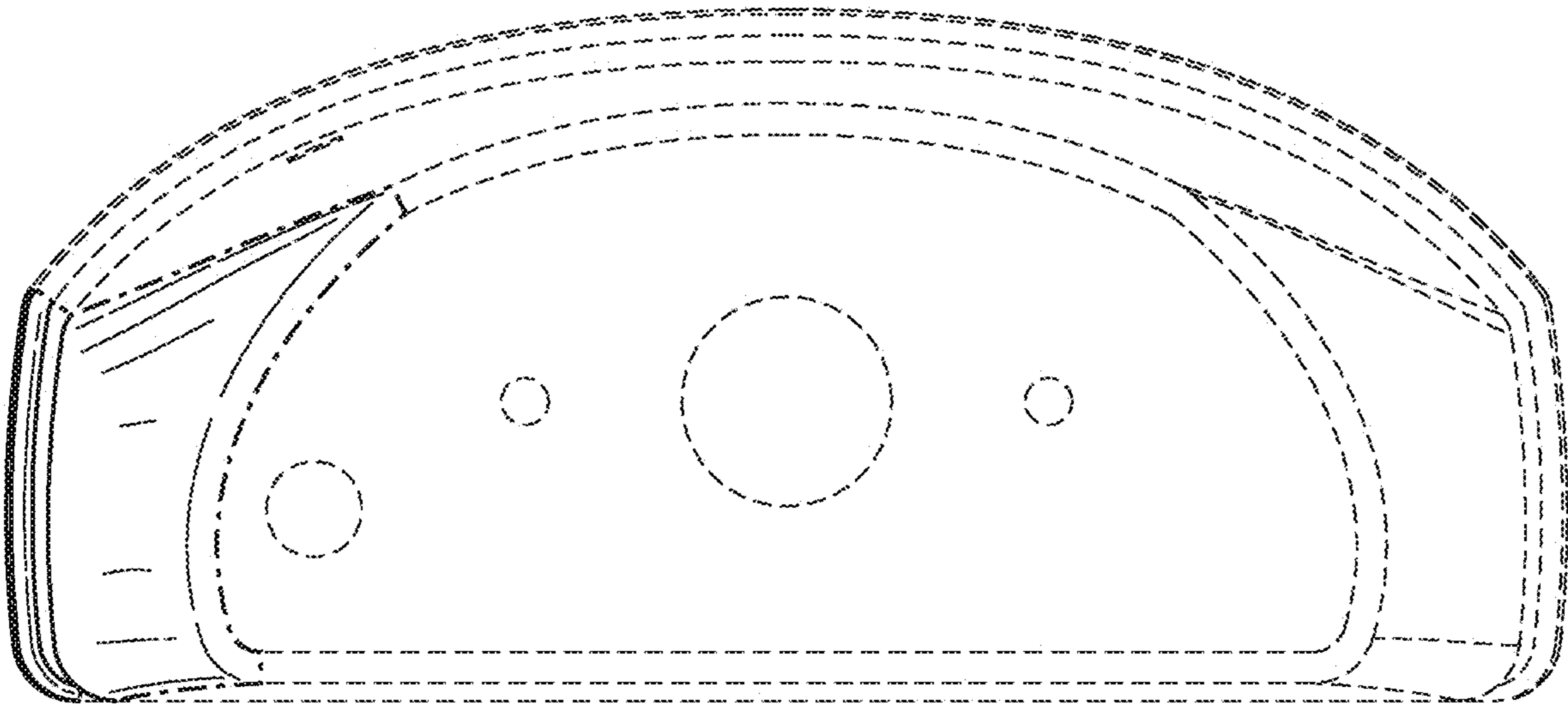


FIG. 7