



US00D961741S

(12) **United States Design Patent** (10) **Patent No.:** **US D961,741 S**
Kuch et al. (45) **Date of Patent:** **** Aug. 23, 2022**

(54) **SINK**

FOREIGN PATENT DOCUMENTS

(71) Applicant: **BLANCO GmbH + Co KG,**
Oberderdingen (DE)

EM 003436344-0001 10/2016
WO DM101433 5/2018

(72) Inventors: **Oliver Kuch,** Oberderdingen (DE);
Judith Hepfer, Kongen (DE)

OTHER PUBLICATIONS

(73) Assignee: **BLANCO GmbH + Co KG,**
Oberderdingen (DE)

Blanco GmbH + Co KG, Cerana 30 Apron, retrieved last on Aug. 29, 2020, 2 pages.

Blanco GmbH + Co KG, Cerana 33 Apron, retrieved last on Aug. 29, 2020, 2 pages.

Blanco GmbH + Co KG, Precision 16 Super Single, retrieved last on Aug. 29, 2020, 2 pages.

Blanco GmbH + Co KG, Panor 60, retrieved last on Aug. 29, 2020, 2 pages.

Blanco GmbH + Co KG, Blanco Magnum, 2013, 1 page.

Sinks of Elkay, Karran, Kraus and Kohler, 2 pages.

(**) Term: **15 Years**

(21) Appl. No.: **29/740,951**

(22) Filed: **Jul. 8, 2020**

(51) **LOC (13) Cl.** **23-02**

(52) **U.S. Cl.**
USPC **D23/290**

(58) **Field of Classification Search**
USPC D23/284, 286–287, 290–293.1, 308
See application file for complete search history.

* cited by examiner

Primary Examiner — Robert A Delehanty

(74) *Attorney, Agent, or Firm* — Hanley, Flight & Zimmerman, LLC

(56) **References Cited**

(57) **CLAIM**

The ornamental design for a “sink,” as shown and described.

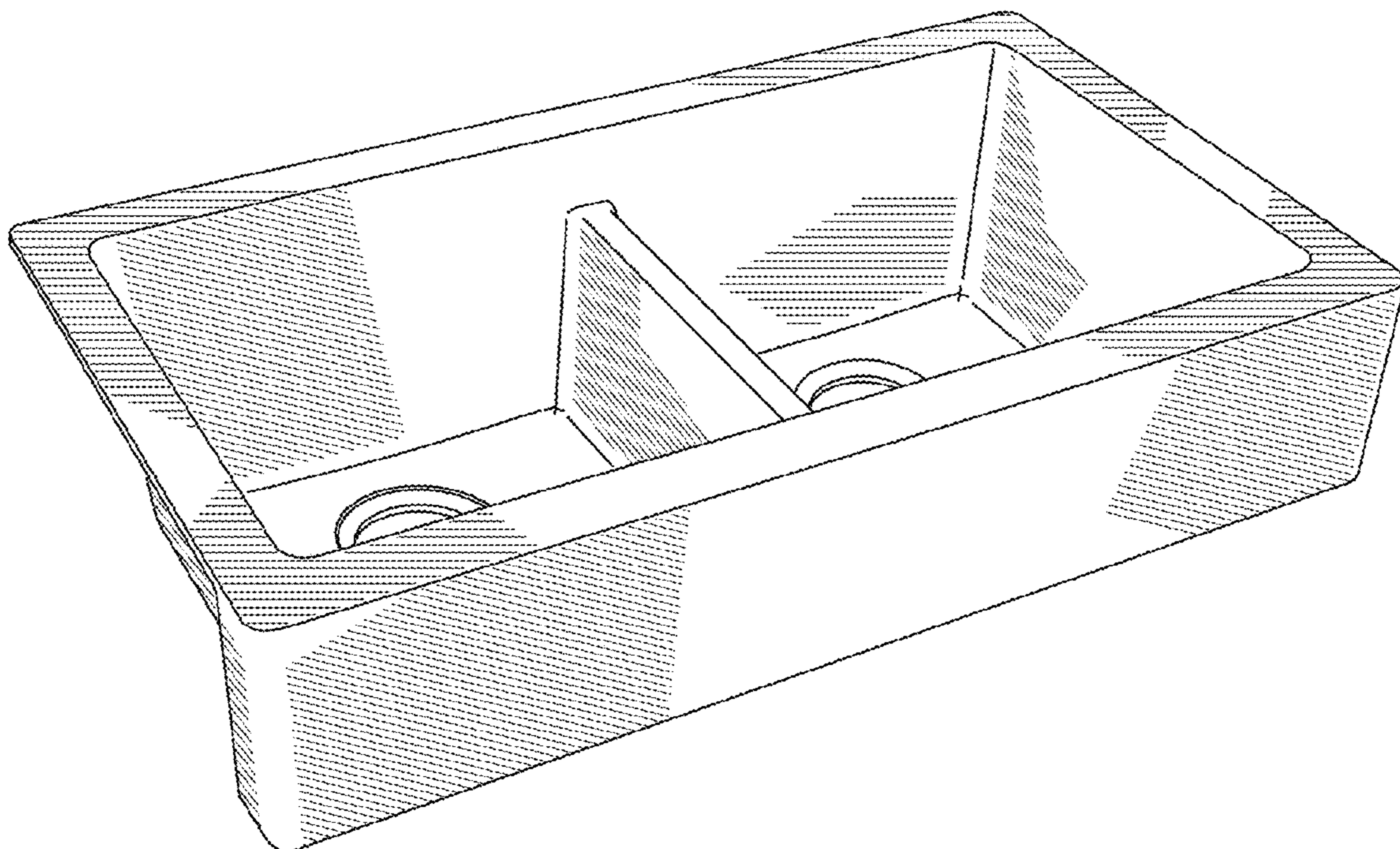
U.S. PATENT DOCUMENTS

DESCRIPTION

D353,652 S *	12/1994	Dannenberg	D23/290
D651,699 S *	1/2012	Booth	D23/284
D814,615 S	4/2018	Ziemann et al.		
D869,618 S *	12/2019	Walther	D23/284
D871,562 S *	12/2019	Parekh	D23/290
D914,170 S *	3/2021	Li	D23/290
D918,352 S *	5/2021	Li	D23/290
D932,601 S *	10/2021	Eilmus	D23/284
D933,795 S *	10/2021	Osher	D23/290
D936,192 S *	11/2021	Bucher	D23/290
2021/0112978 A1 *	4/2021	Miller	E03C 1/182
2021/0332578 A1 *	10/2021	Miller	E03C 1/33

FIG. 1 is a perspective view of a sink;
FIG. 2 is a top view of the tap of the sink;
FIG. 3 is a bottom view of the sink;
FIG. 4 is a front view of the sink;
FIG. 5 is a rear view of the sink;
FIG. 6 is a left side view of the sink; and,
FIG. 7 is a right side view of the sink.

1 Claim, 7 Drawing Sheets



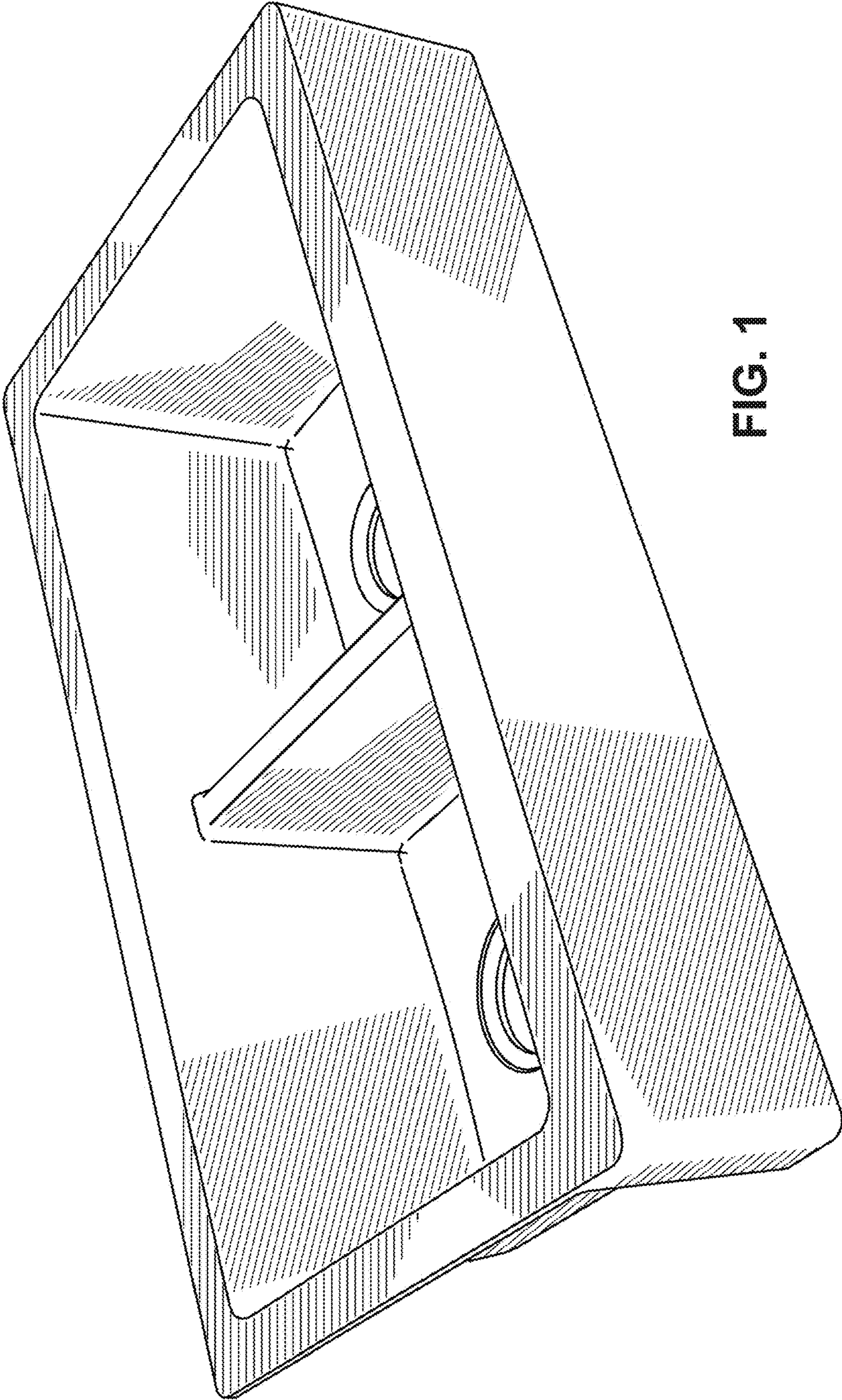


FIG. 1

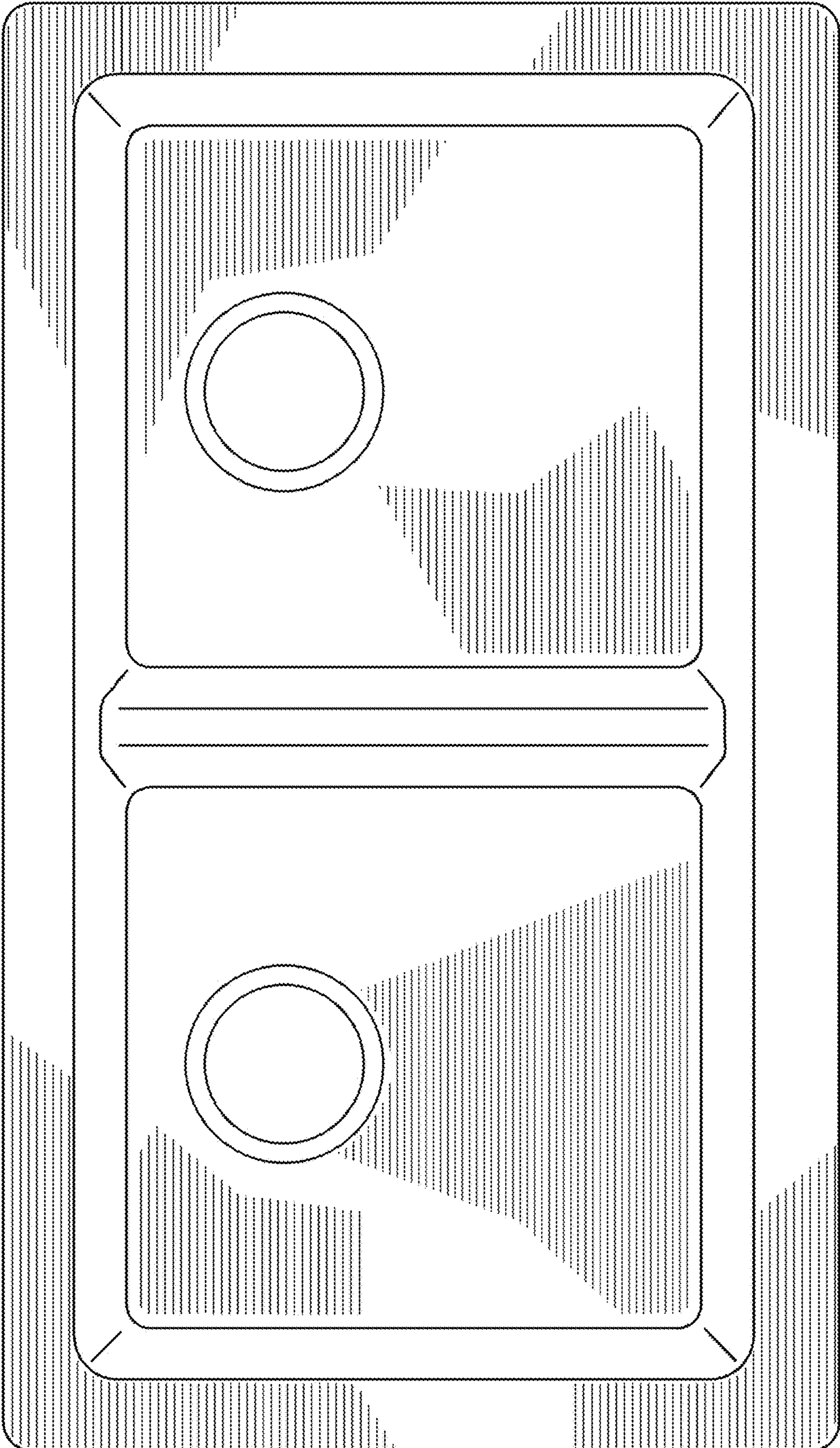


FIG. 2

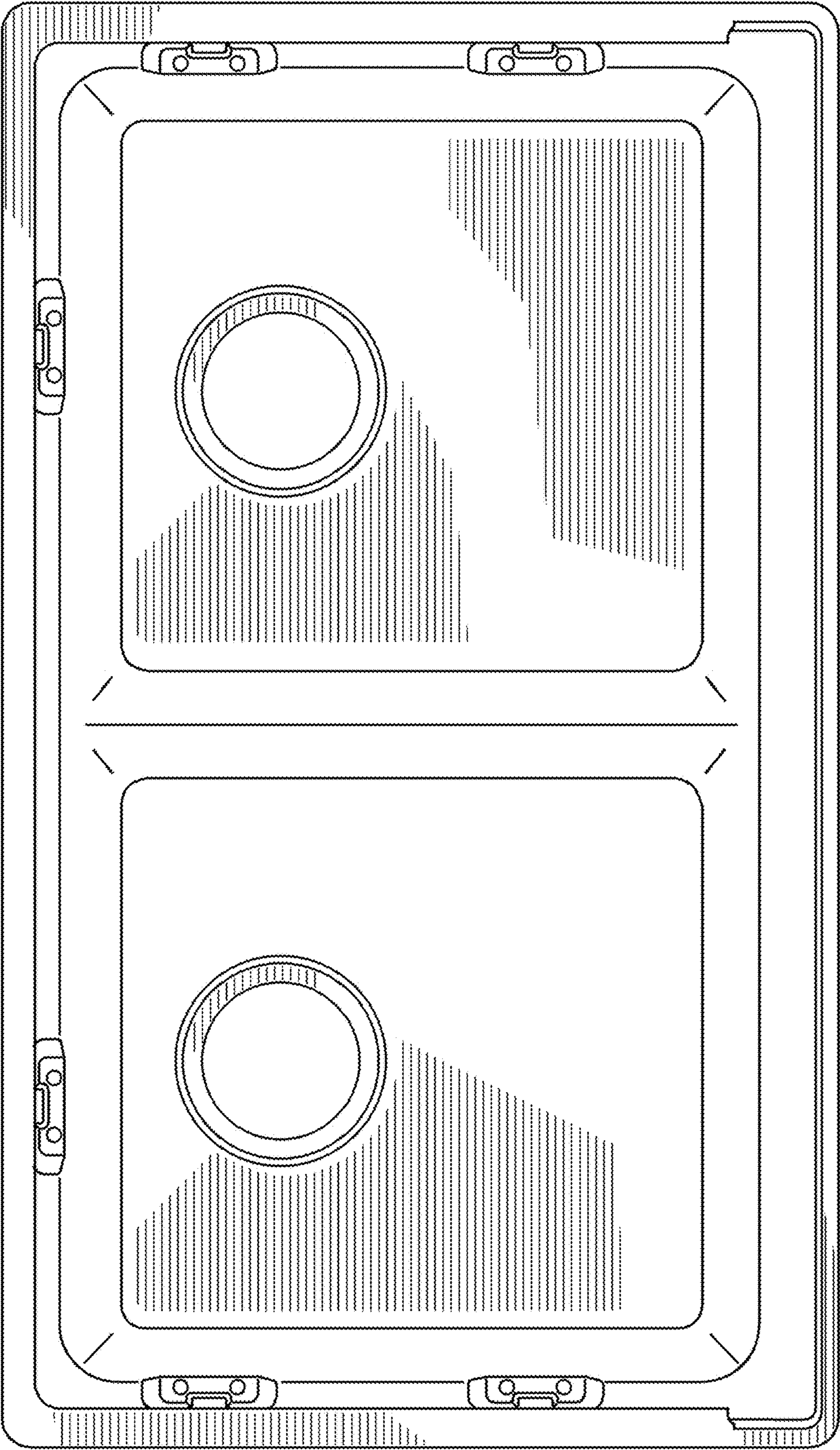


FIG. 3

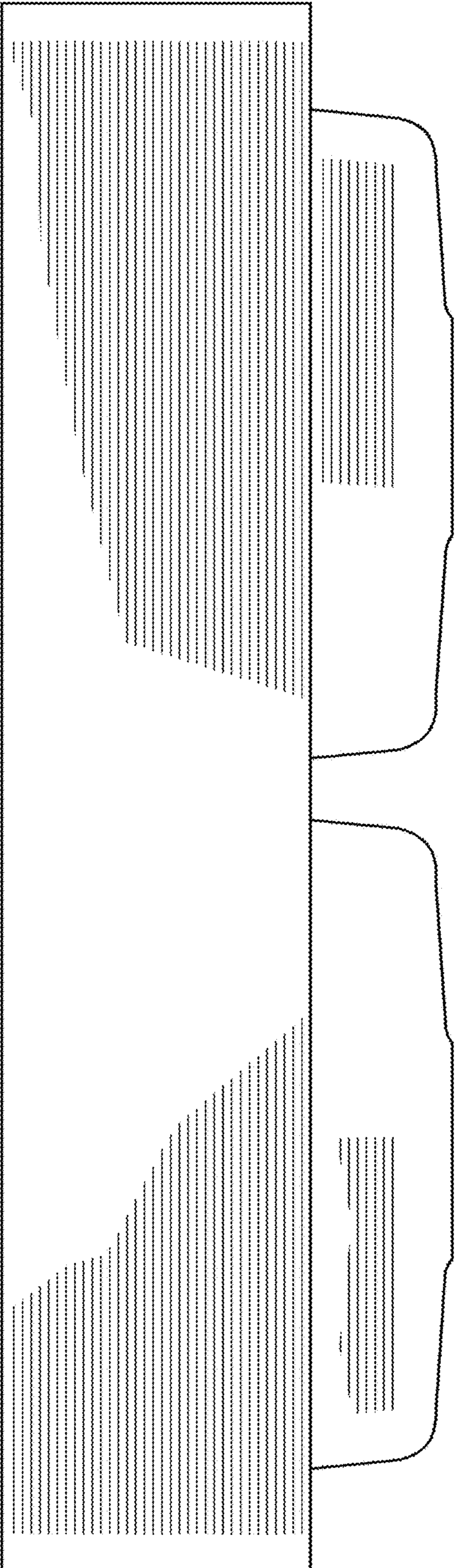


FIG. 4

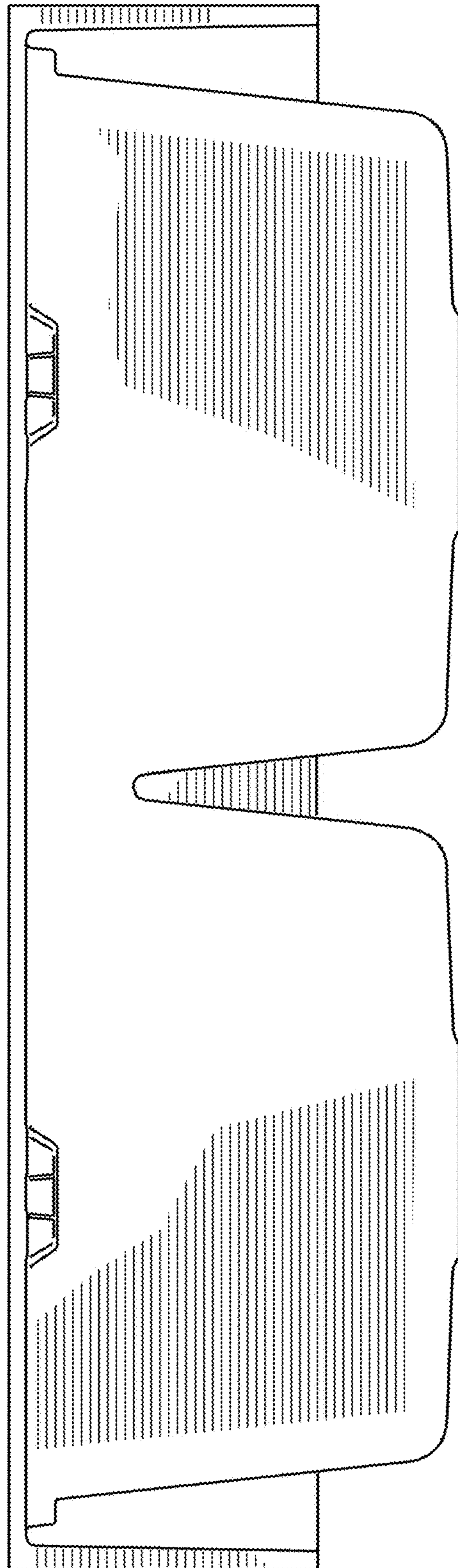


FIG. 5

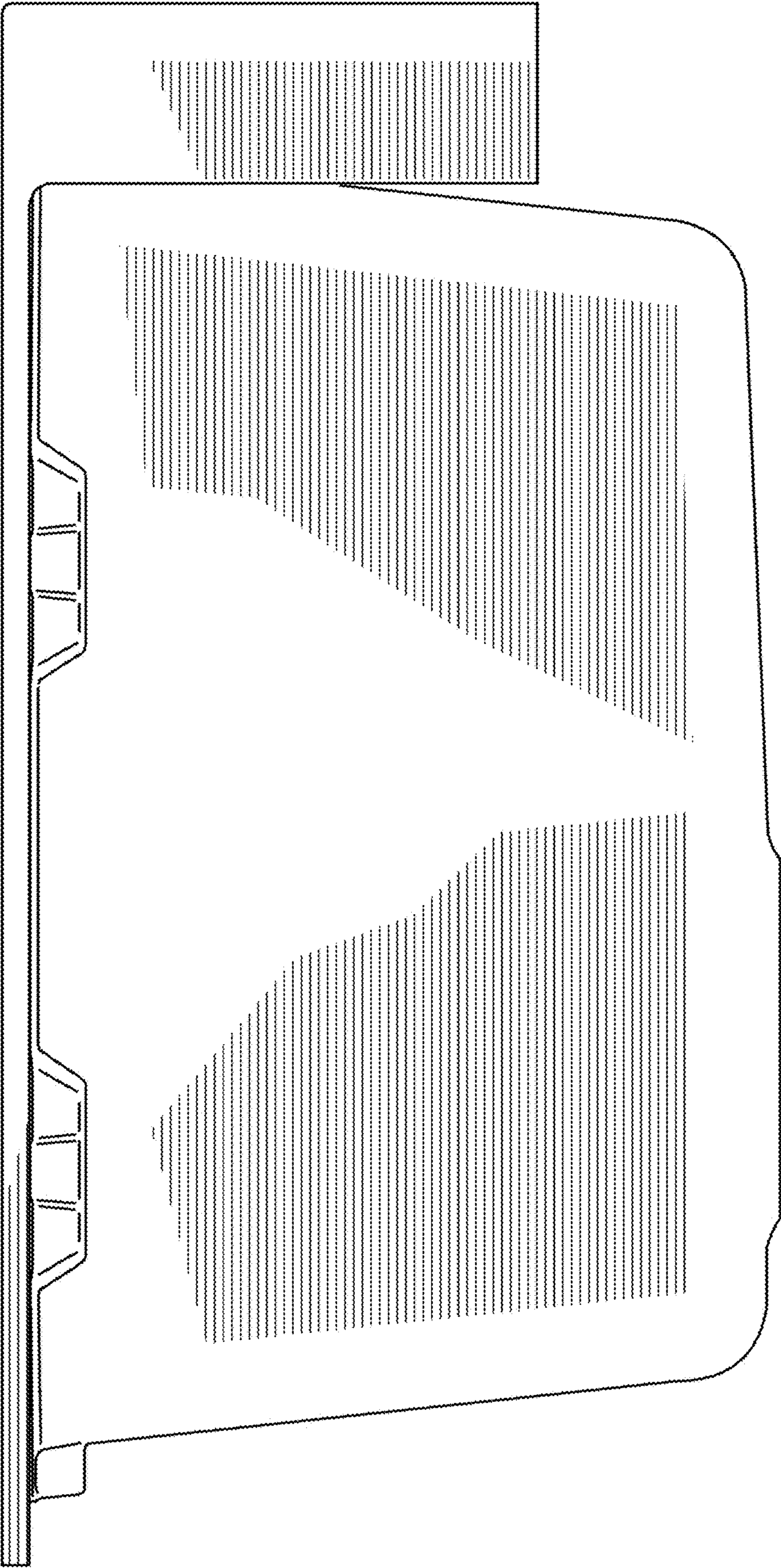


FIG. 6

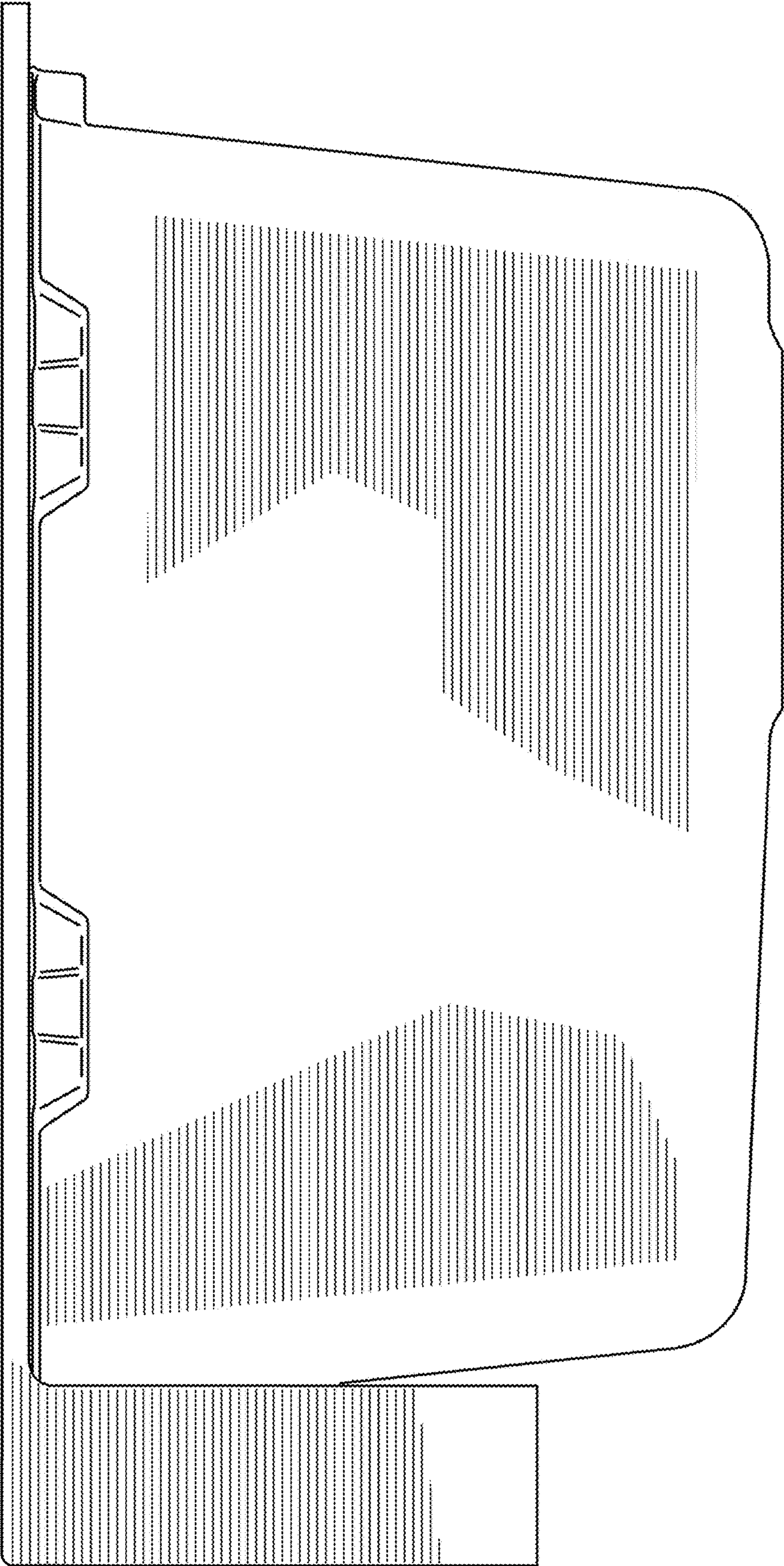


FIG. 7