



US00D961740S

(12) **United States Design Patent** (10) **Patent No.:** **US D961,740 S**
Adkison (45) **Date of Patent:** **** Aug. 23, 2022**

(54) **WASH BASIN**

(71) Applicant: **Acorn Engineering Company**, City of Industry, CA (US)

(72) Inventor: **Christopher T. Adkison**, Ontario, CA (US)

(73) Assignee: **Acorn Engineering Company**, City of Industry, CA (US)

(**) Term: **15 Years**

(21) Appl. No.: **29/756,274**

(22) Filed: **Oct. 27, 2020**

(51) **LOC (13) Cl.** **23-02**

(52) **U.S. Cl.**
USPC **D23/284**

(58) **Field of Classification Search**
USPC D23/284, 286, 291-293.1, 308, 255
See application file for complete search history.

(56) **References Cited**

U.S. PATENT DOCUMENTS

D547,839 S * 7/2007 Helmsie D23/293.1
D812,728 S * 3/2018 Kergoet D23/293.1
D936,804 S * 11/2021 Boelfl D23/284

* cited by examiner

Primary Examiner — Robert A Delehanty

(74) *Attorney, Agent, or Firm* — Eric J. Sosenko;
Jonathan P. O'Brien; Honigman LLP

(57) **CLAIM**

The ornamental design for a wash basin, as shown and described.

DESCRIPTION

FIG. 1 is a perspective view of a wash basin showing my new design;

FIG. 2 is another perspective view of the wash basin seen in FIG. 1;

FIG. 3 is a right side elevational view of the wash basin seen in FIG. 1, the left side elevational view being a mirror image thereof;

FIG. 4 is a front elevational view of the wash basin seen in FIG. 1;

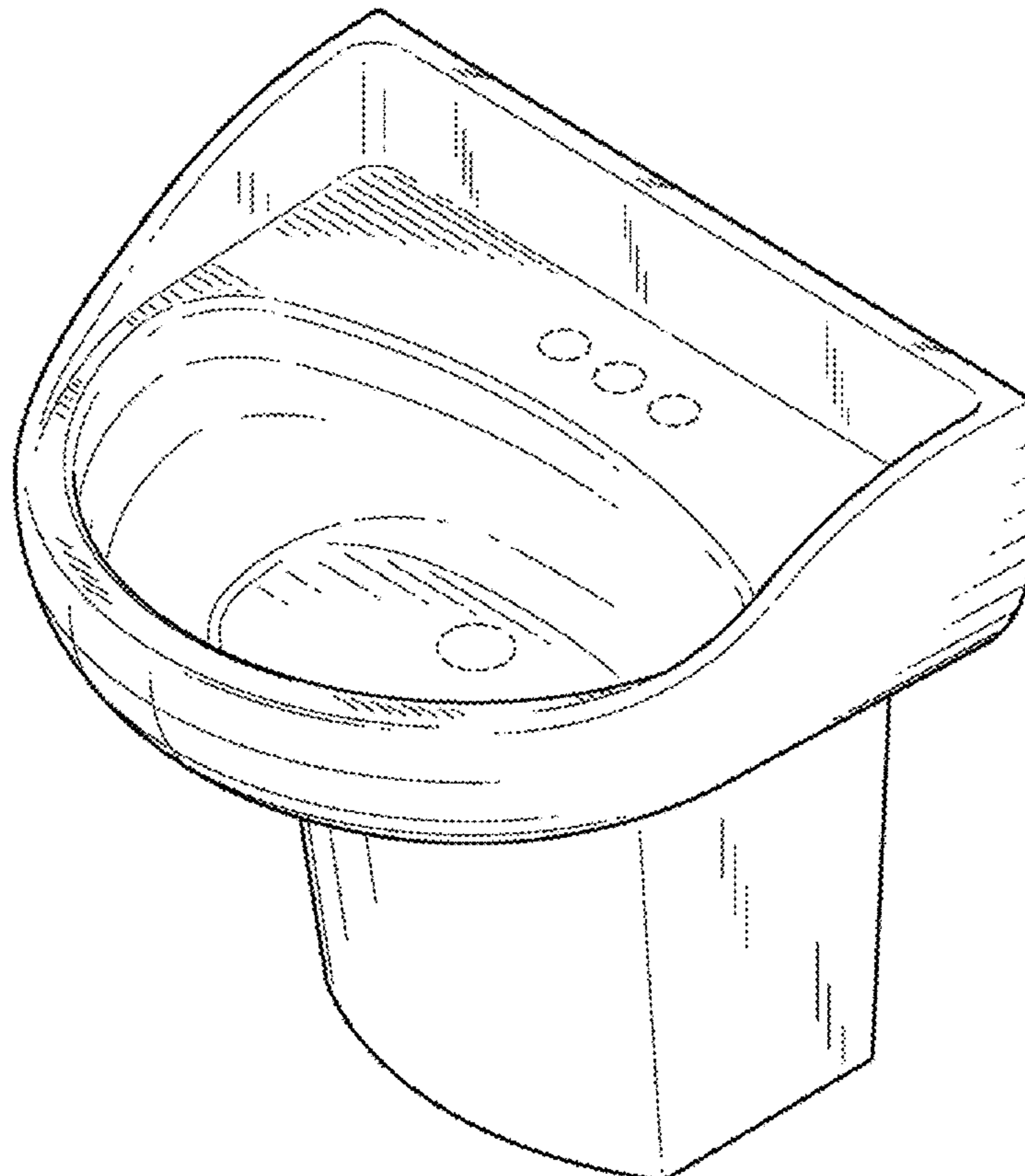
FIG. 5 is a rear elevational view of the wash basin seen in FIG. 1;

FIG. 6 is a top plan view of the wash basin seen in FIG. 1; and,

FIG. 7 is a bottom plan view of the wash basin seen in FIG. 1.

In the drawings, the broken lines depict portions of the wash basin that form no part of the claimed design. Shade lines, having a combination of long and short lines in the drawings, show contour and not surface ornamentation.

1 Claim, 7 Drawing Sheets



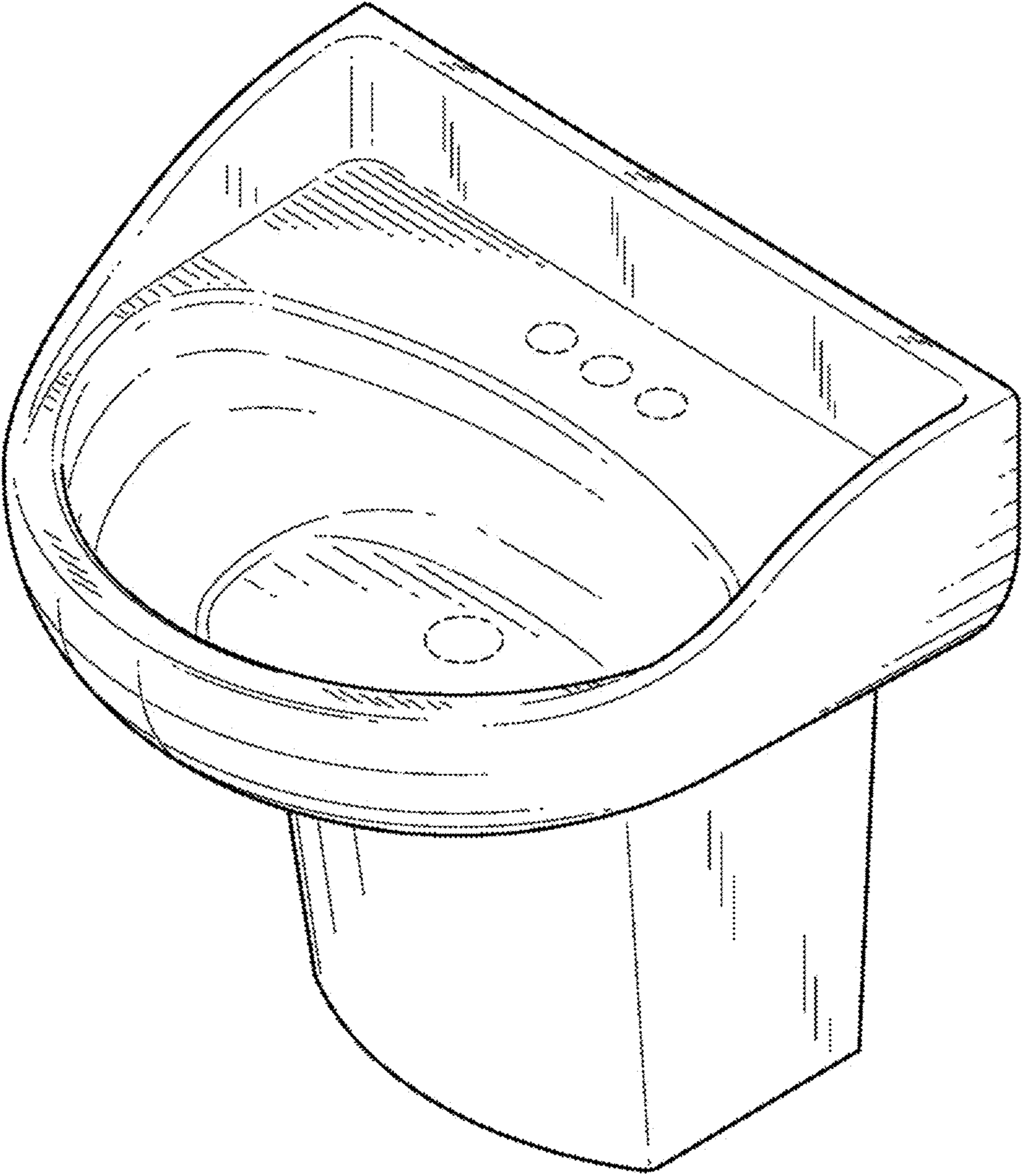


FIG. 1

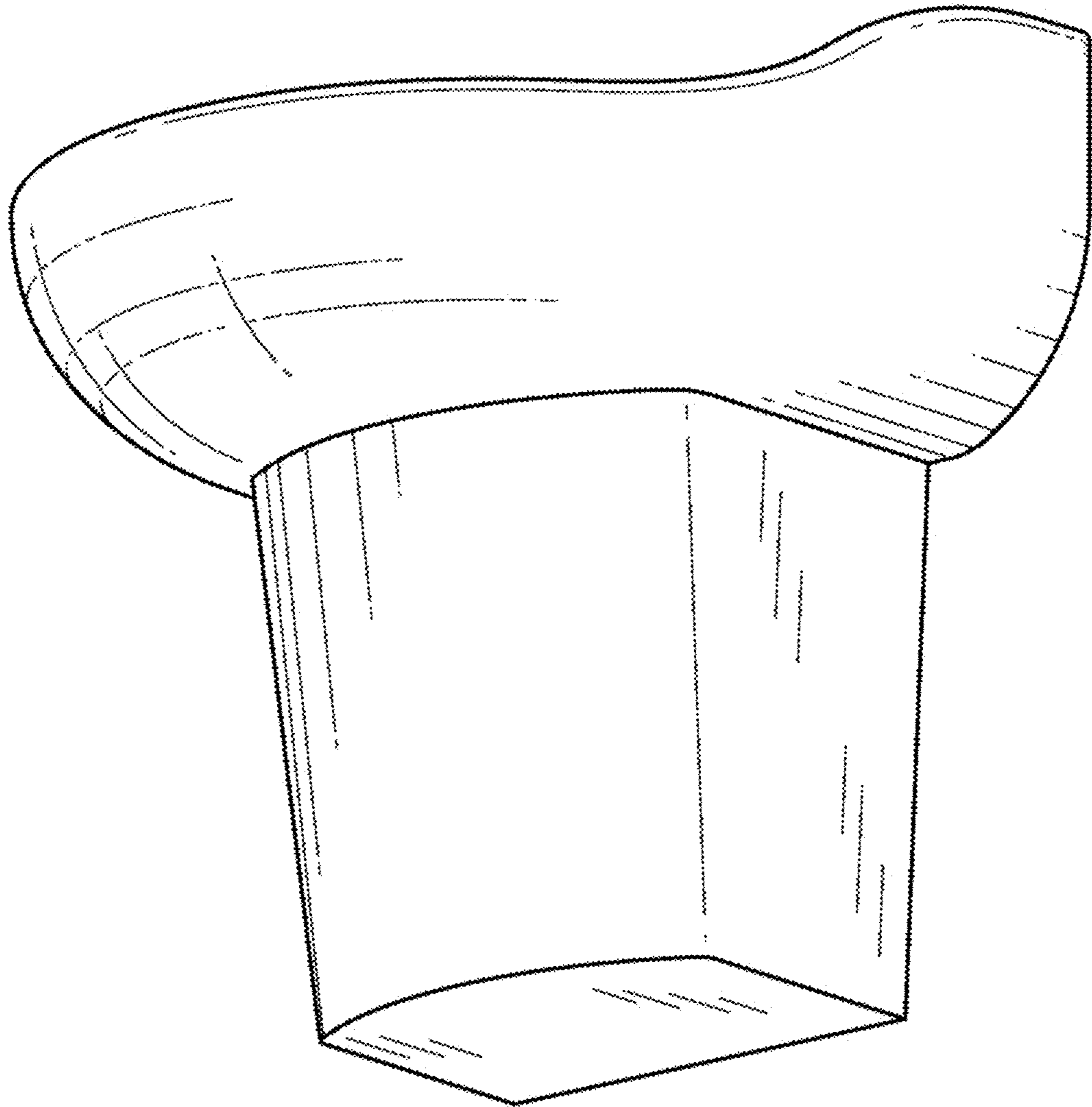


FIG. 2

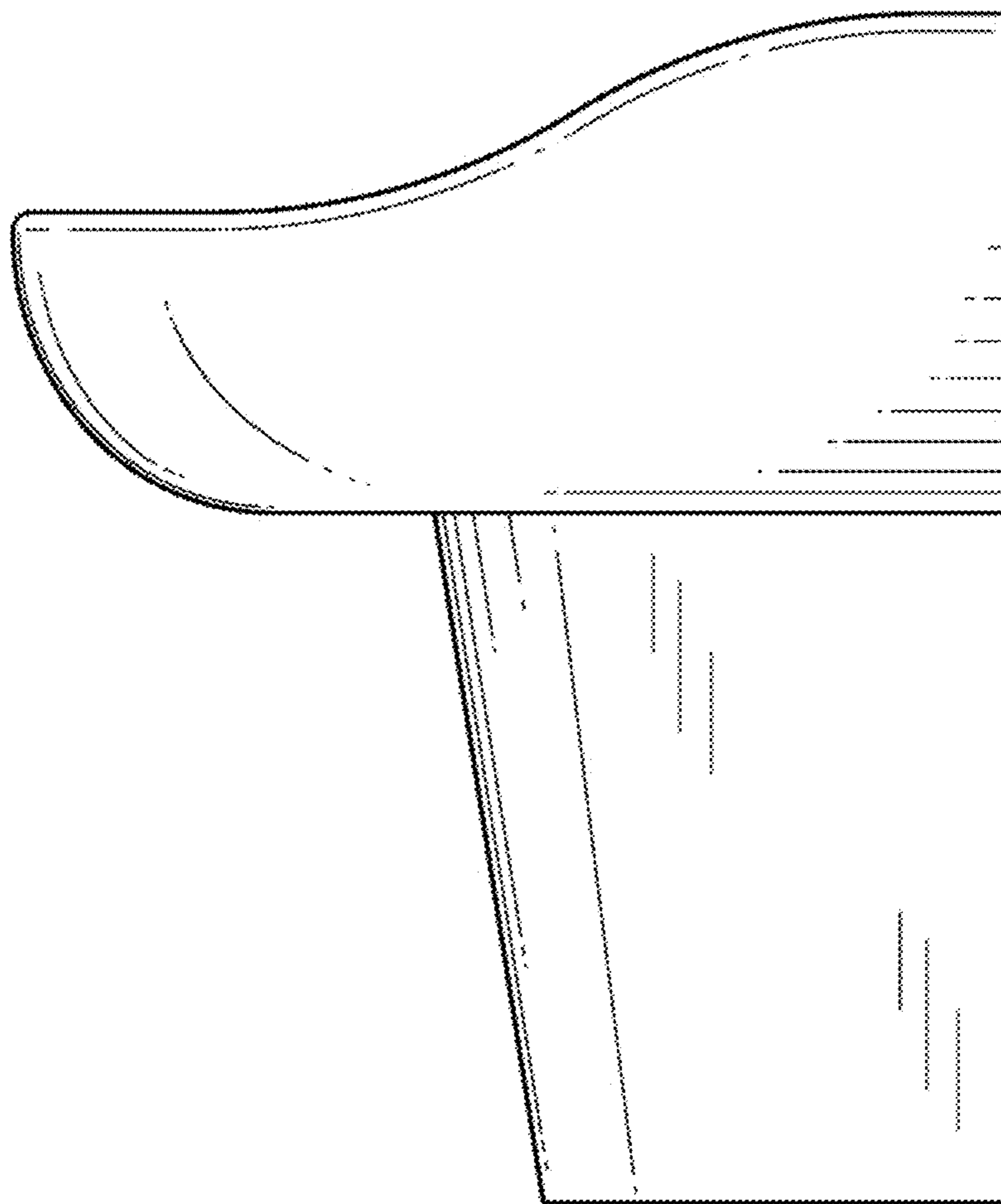


FIG. 3

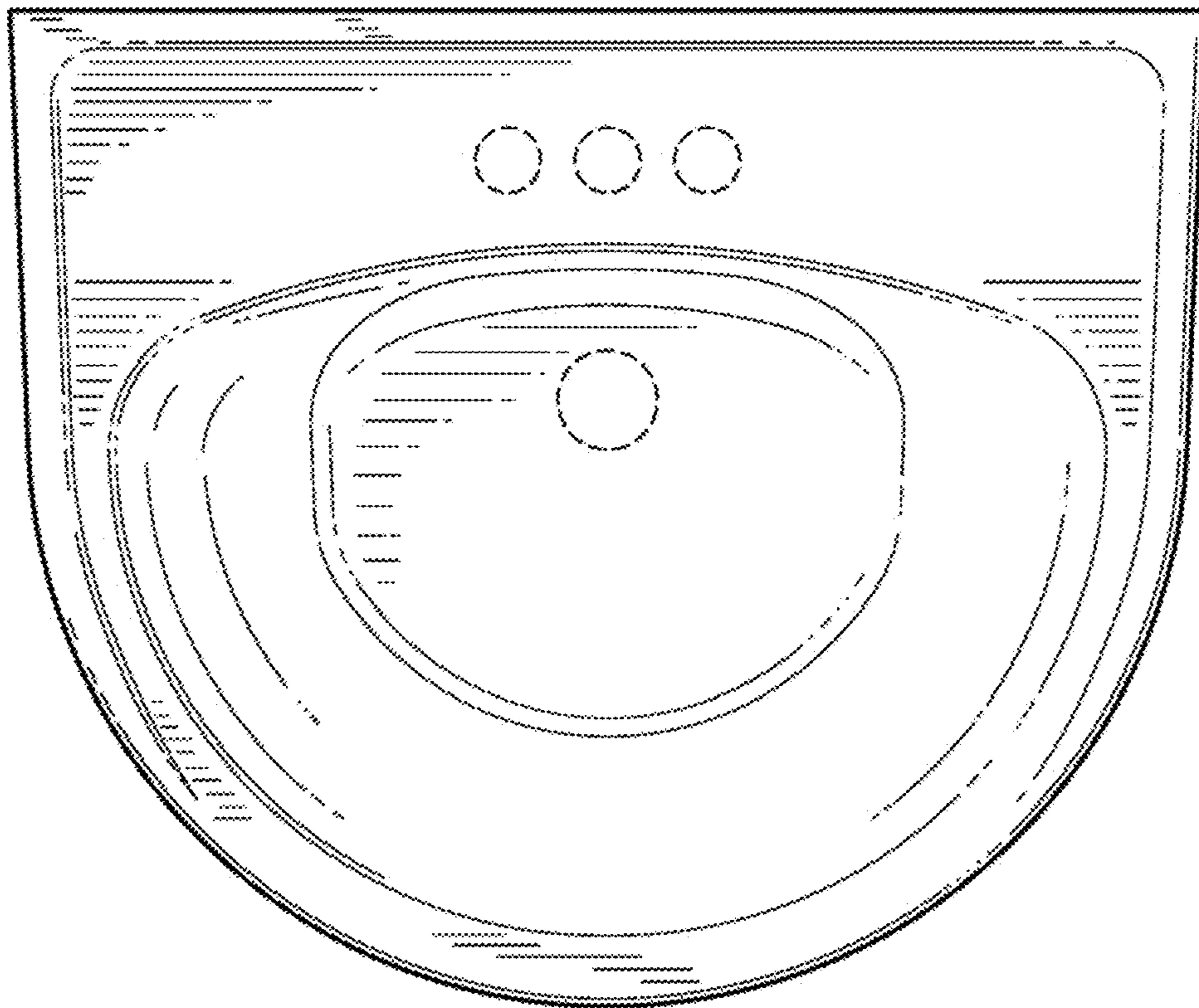


FIG. 4

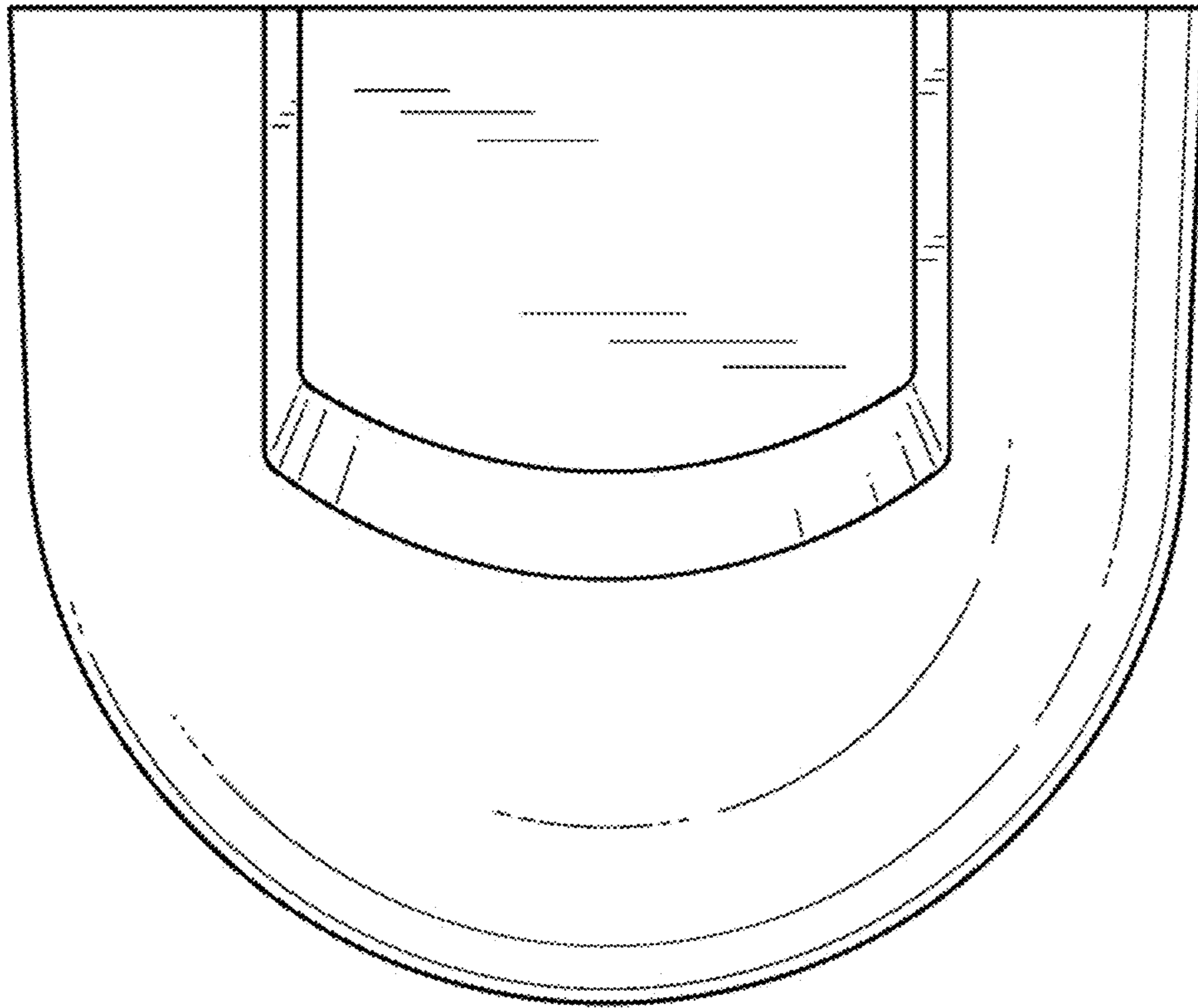


FIG. 5

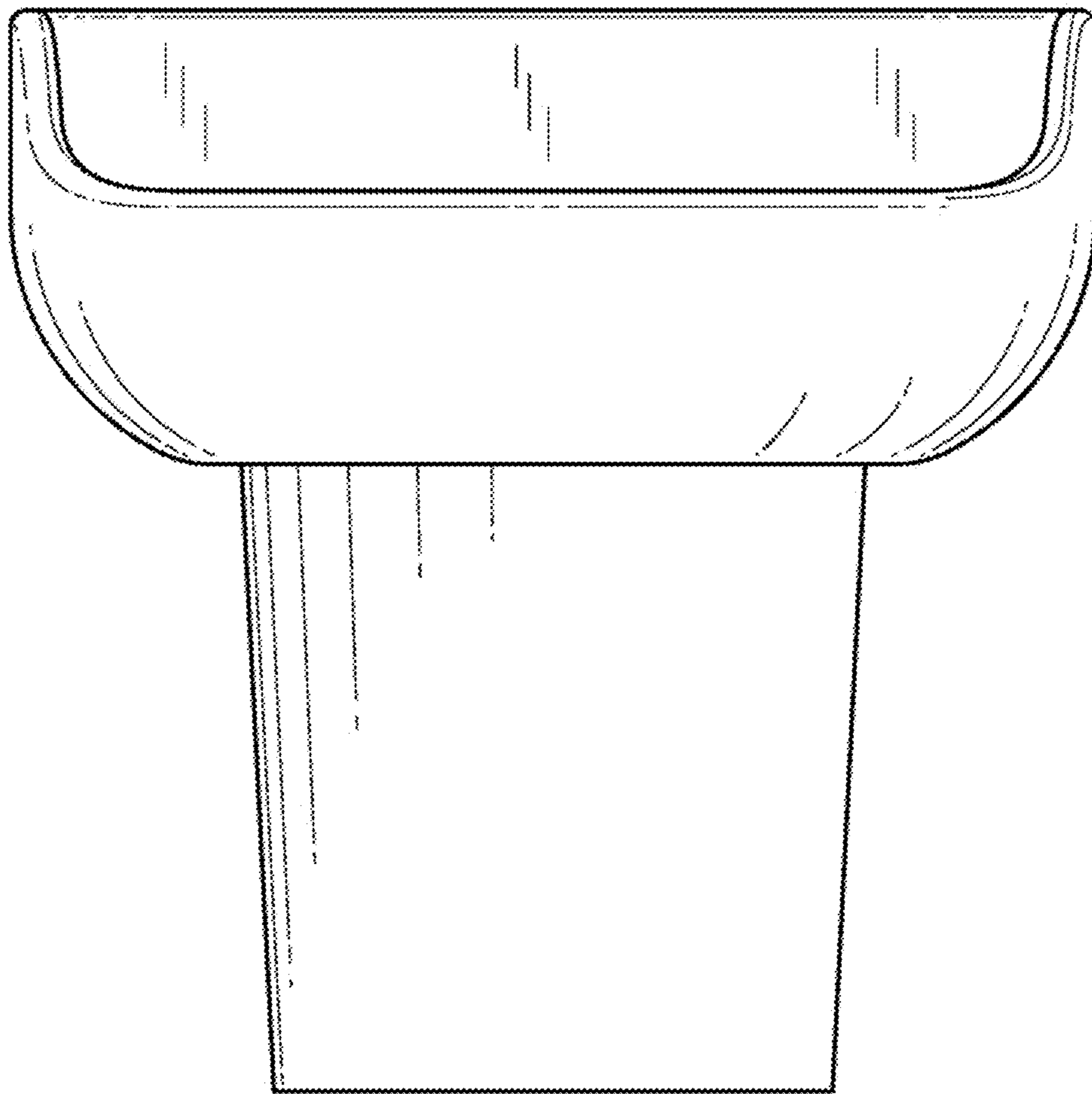


FIG. 6

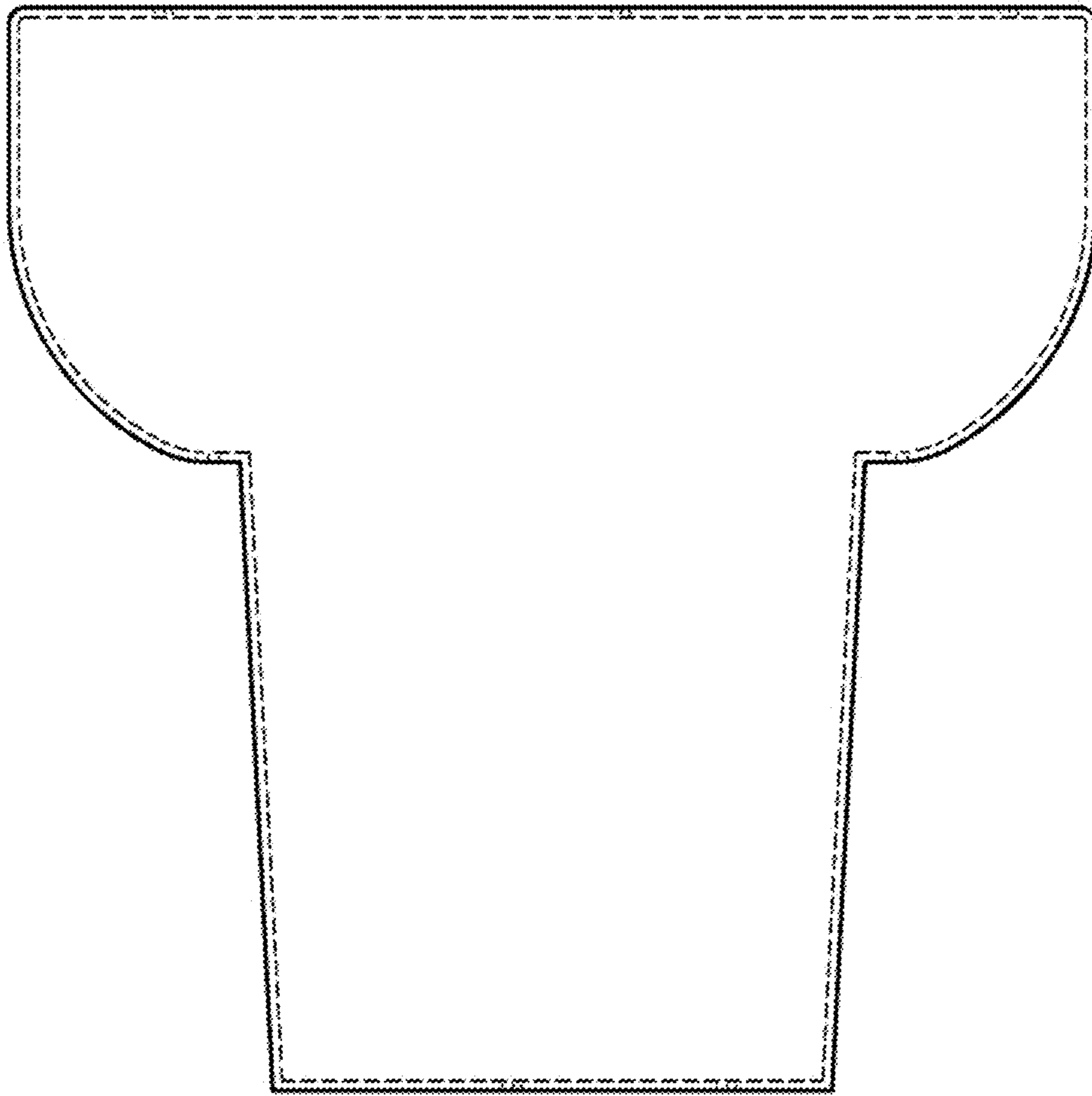


FIG. 7