



US00D961739S

(12) **United States Design Patent** (10) **Patent No.:** **US D961,739 S**  
**Kuch et al.** (45) **Date of Patent:** **\*\* Aug. 23, 2022**

(54) **SINK**

FOREIGN PATENT DOCUMENTS

(71) Applicant: **BLANCO GmbH + Co KG,**  
Oberderdingen (DE)

EM 003436344-001 10/2016  
EM 003436344-0001 10/2016  
WO DM101433 5/2018

(72) Inventors: **Oliver Kuch,** Oberderdingen (DE);  
**Judith Hepfer,** Kongen (DE)

OTHER PUBLICATIONS

(73) Assignee: **BLANCO GmbH + Co KG,**  
Oberderdingen (DE)

Blanco GmbH + Co KG, Cerana 30 Apron, retrieved last on Aug. 29, 2020, 2 pages.  
Blanco GmbH + Co KG, Cerana 33 Apron, retrieved last on Aug. 29, 2020, 2 pages.  
Blanco GmbH + Co KG, Precision 16 Super Single, retrieved last on Aug. 29, 2020, 2 pages.  
Blanco GmbH + Co KG, Panor 60, retrieved last on Aug. 29, 2020, 2 pages.  
Blanco GmbH + Co KG, Blanco Magnum, 2013, 1 page.  
Sinks of Elkay, Karran, Kraus and Kohler, 2 pages.

(\*\*) Term: **15 Years**

(21) Appl. No.: **29/740,934**

(22) Filed: **Jul. 8, 2020**

(51) **LOC (13) Cl.** ..... **23-02**

\* cited by examiner

(52) **U.S. Cl.**  
USPC ..... **D23/284**

*Primary Examiner* — Robert A Delehanty  
(74) *Attorney, Agent, or Firm* — Hanley, Flight & Zimmerman, LLC

(58) **Field of Classification Search**  
USPC ..... D23/284, 286–287, 290–293.1, 308  
See application file for complete search history.

(57) **CLAIM**  
The ornamental design for a “sink,” as shown and described.

**DESCRIPTION**

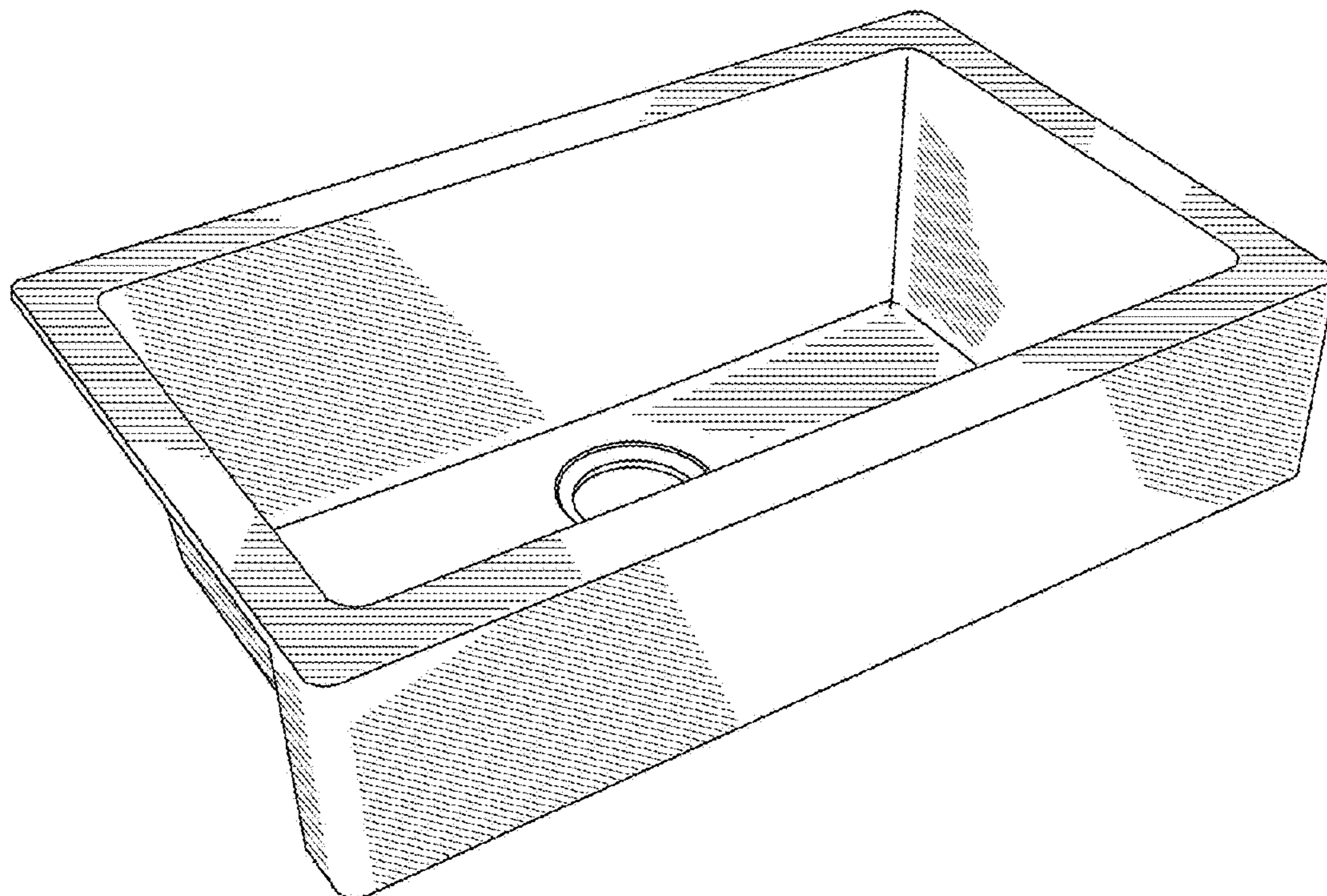
(56) **References Cited**

U.S. PATENT DOCUMENTS

D353,652 S \* 12/1994 Dannenberg ..... D23/290  
D651,699 S \* 1/2012 Booth ..... D23/284  
D814,615 S \* 4/2018 Ziemann et al.  
D869,618 S \* 12/2019 Walther ..... D23/284  
D932,601 S \* 10/2021 Eilmus ..... D23/284  
2021/0112978 A1 \* 4/2021 Miller ..... E03C 1/182  
2021/0332578 A1 \* 10/2021 Miller ..... E03C 1/18

FIG. 1 is a perspective view of a sink;  
FIG. 2 is a top view of the tap of the sink;  
FIG. 3 is a bottom view of the sink;  
FIG. 4 is a front view of the sink;  
FIG. 5 is a rear view of the sink;  
FIG. 6 is a left side view of the sink; and,  
FIG. 7 is a right side view of the sink.

**1 Claim, 7 Drawing Sheets**



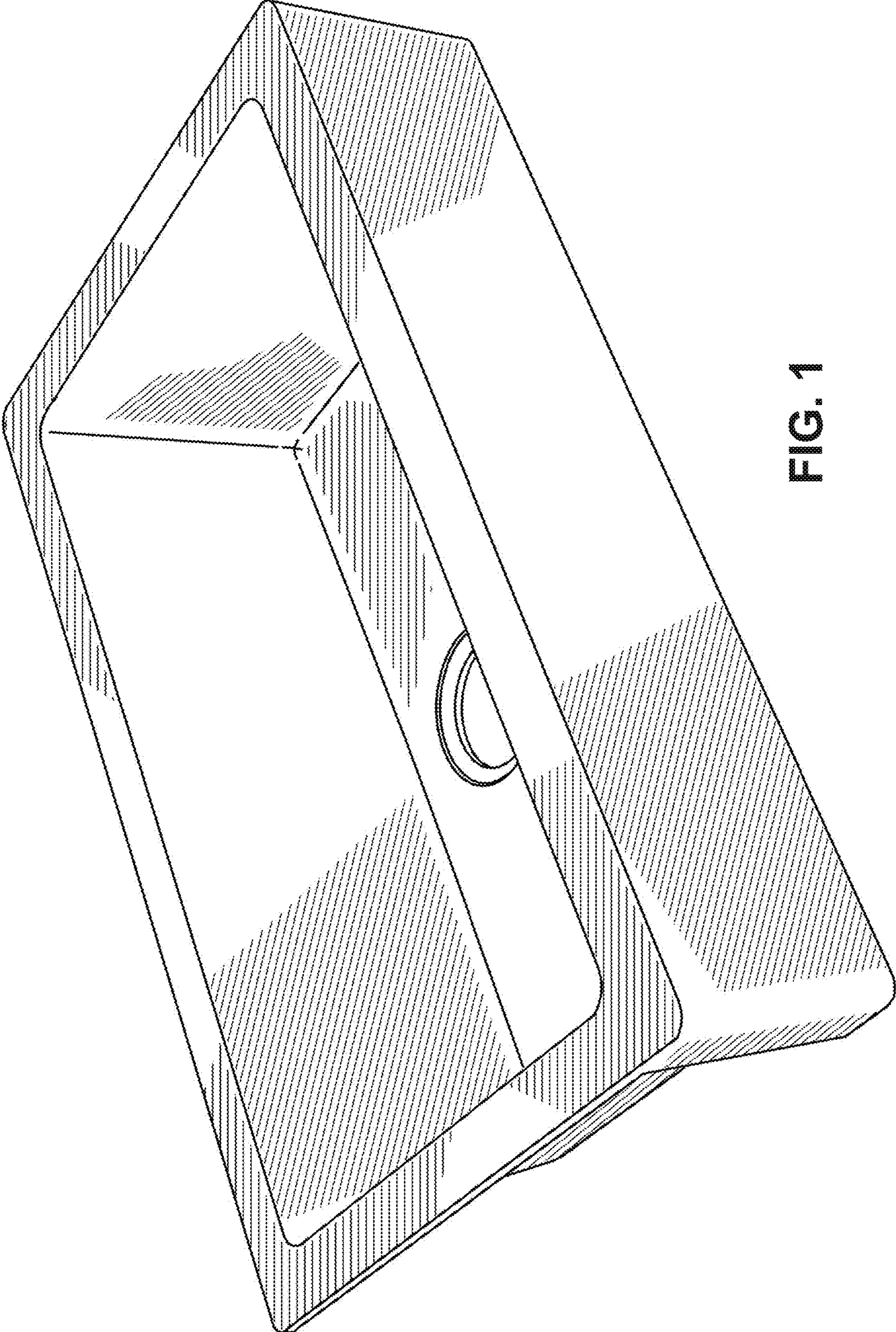


FIG. 1

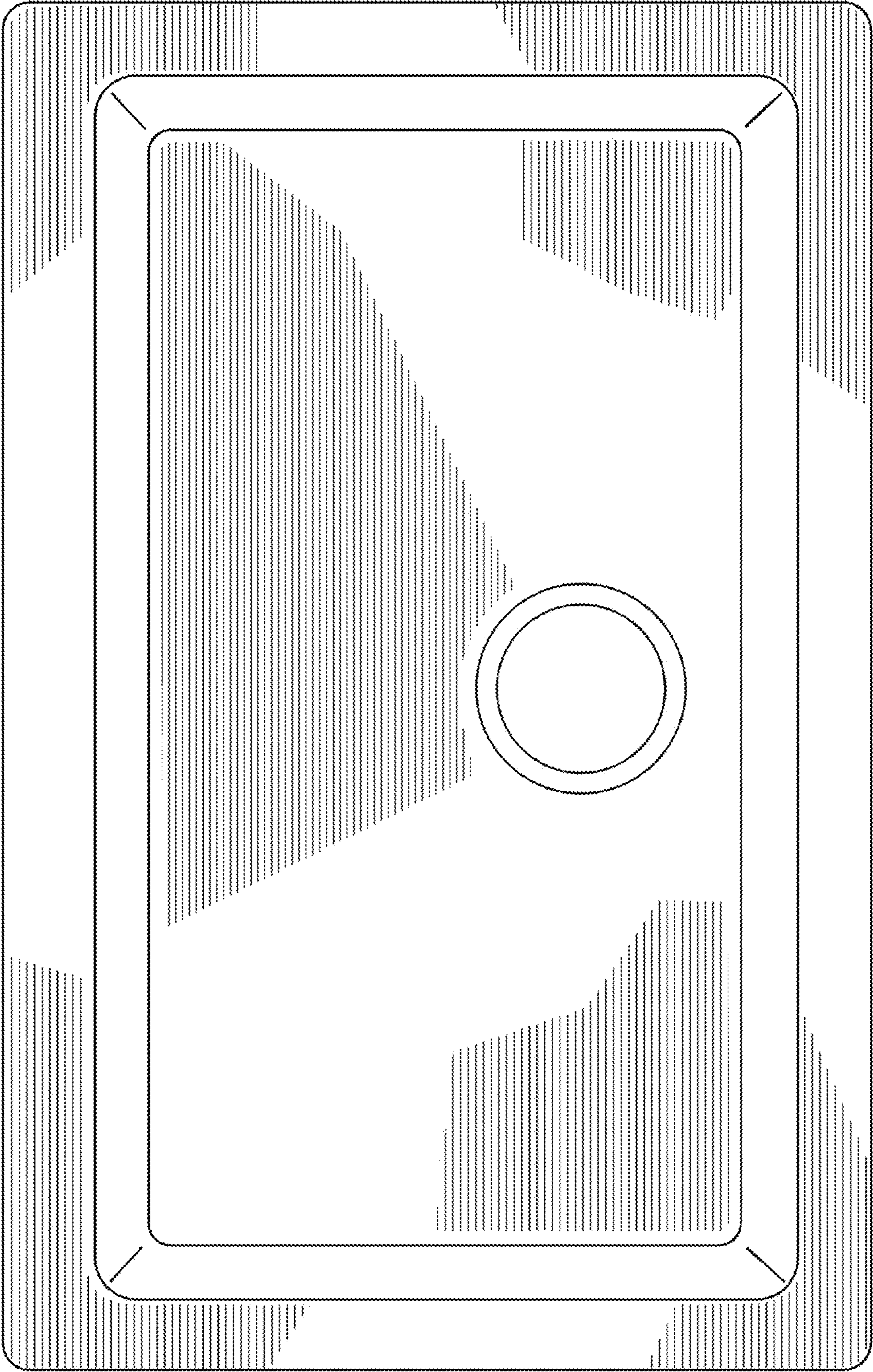


FIG. 2

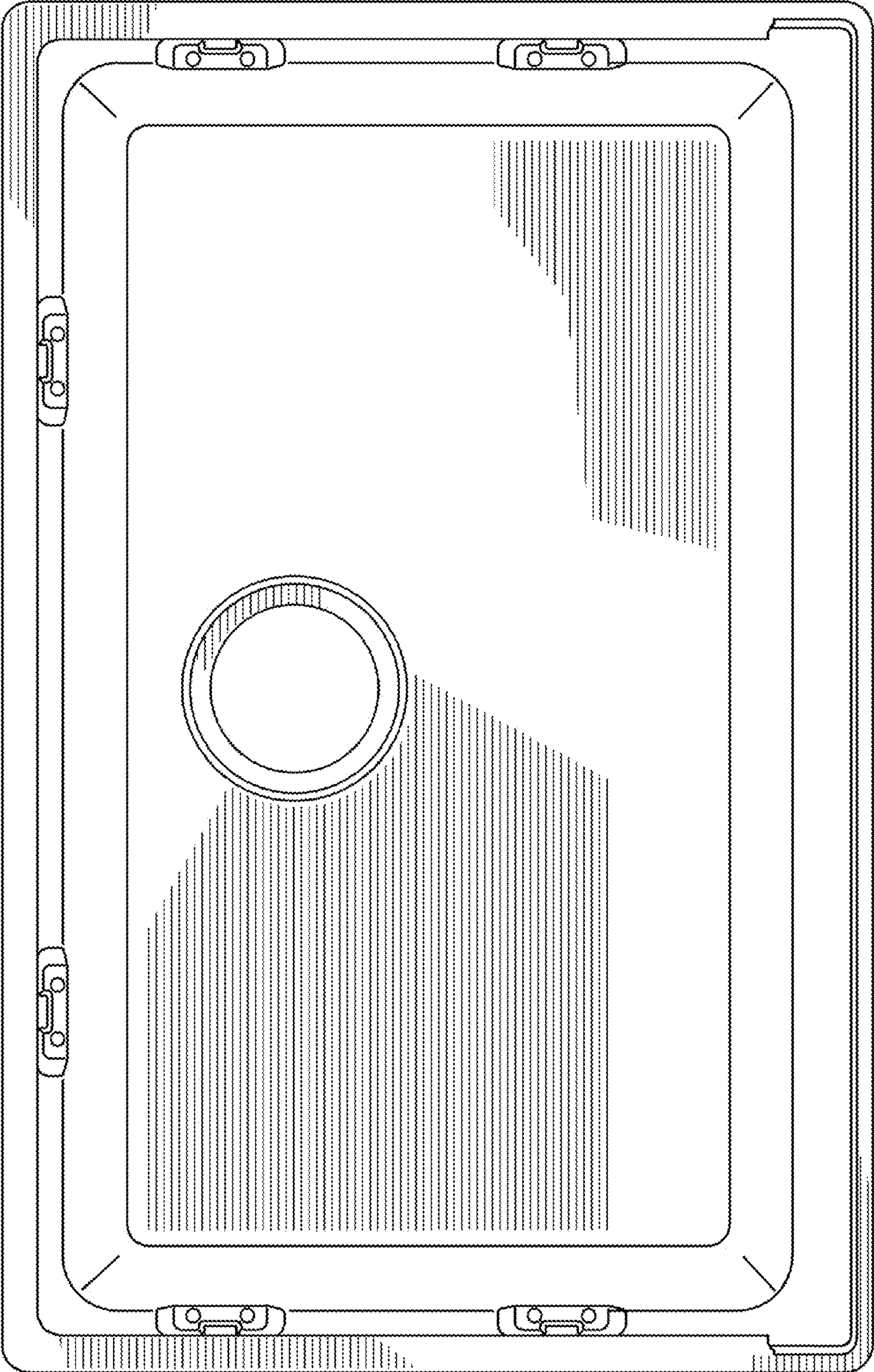


FIG. 3

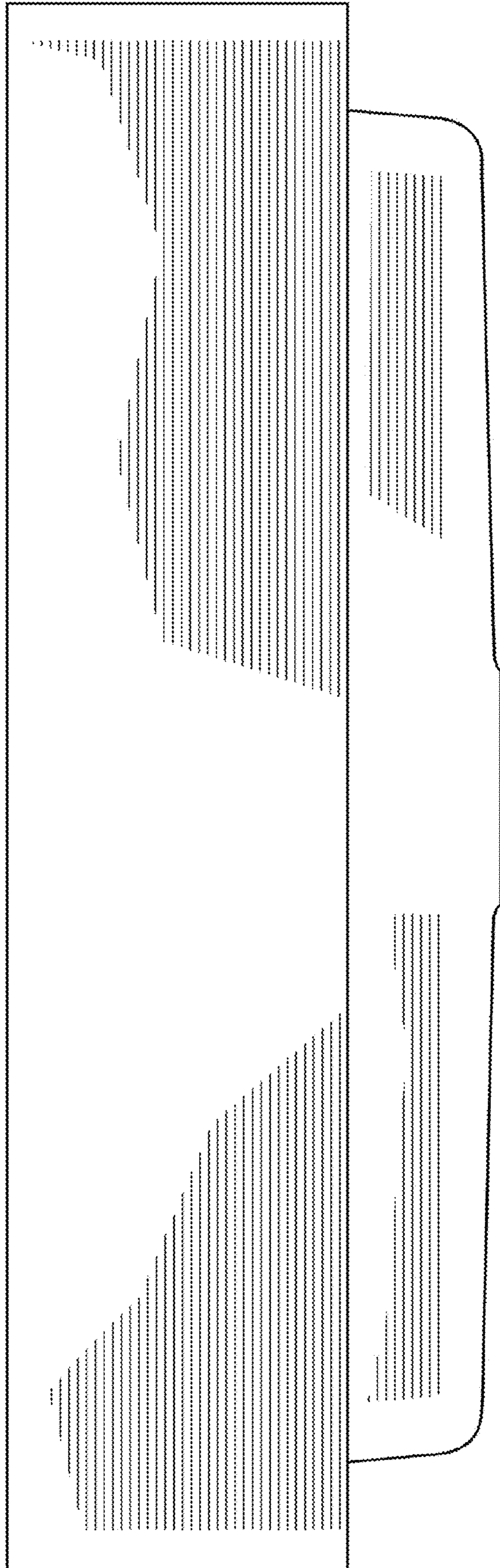


FIG. 4

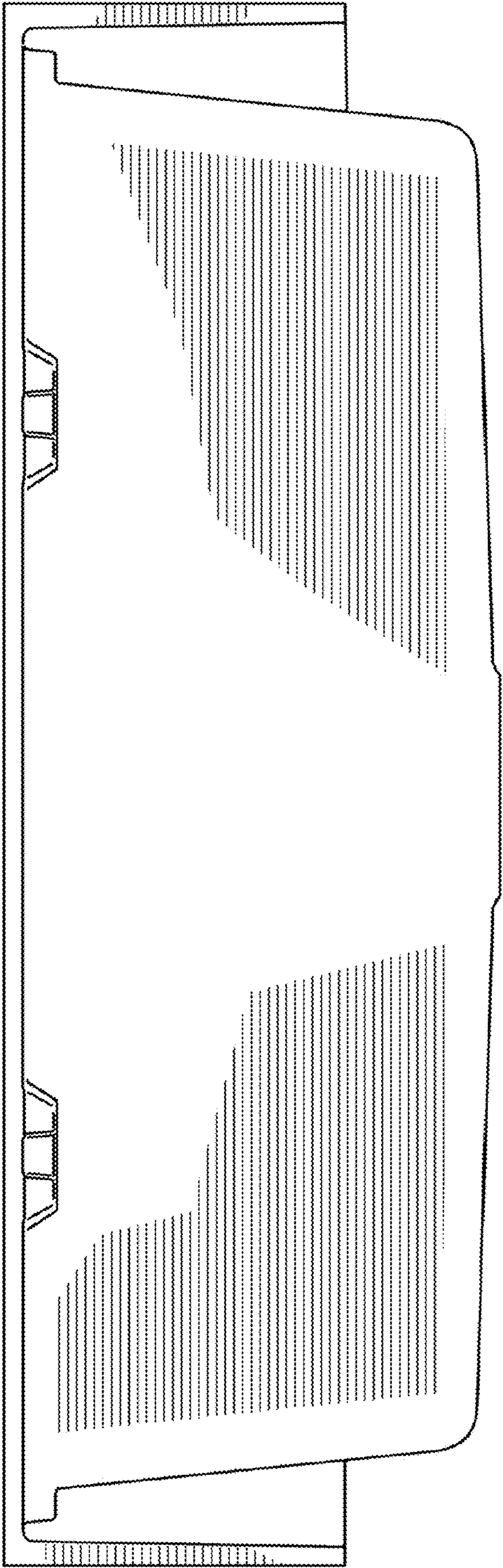


FIG. 5

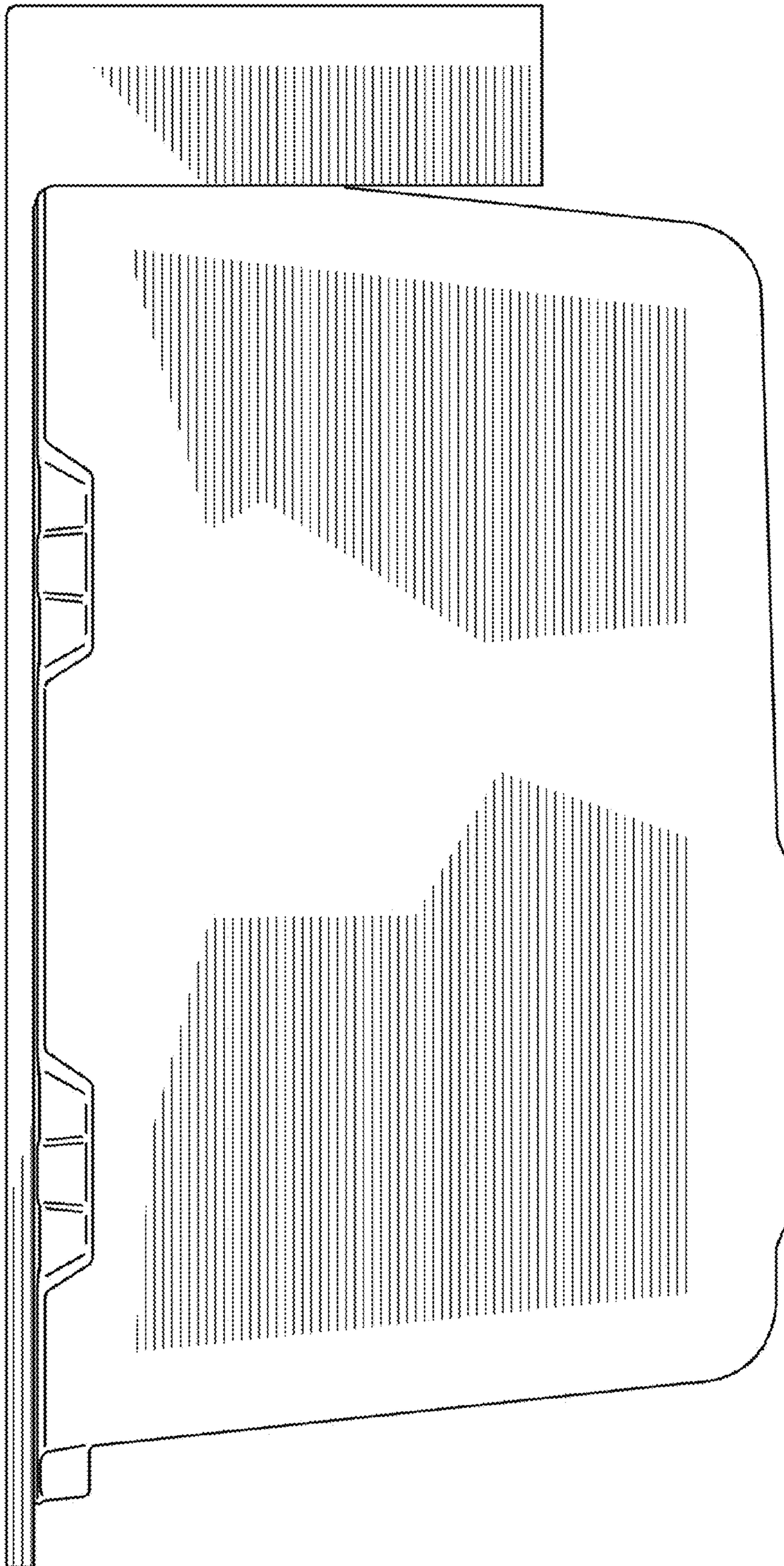


FIG. 6

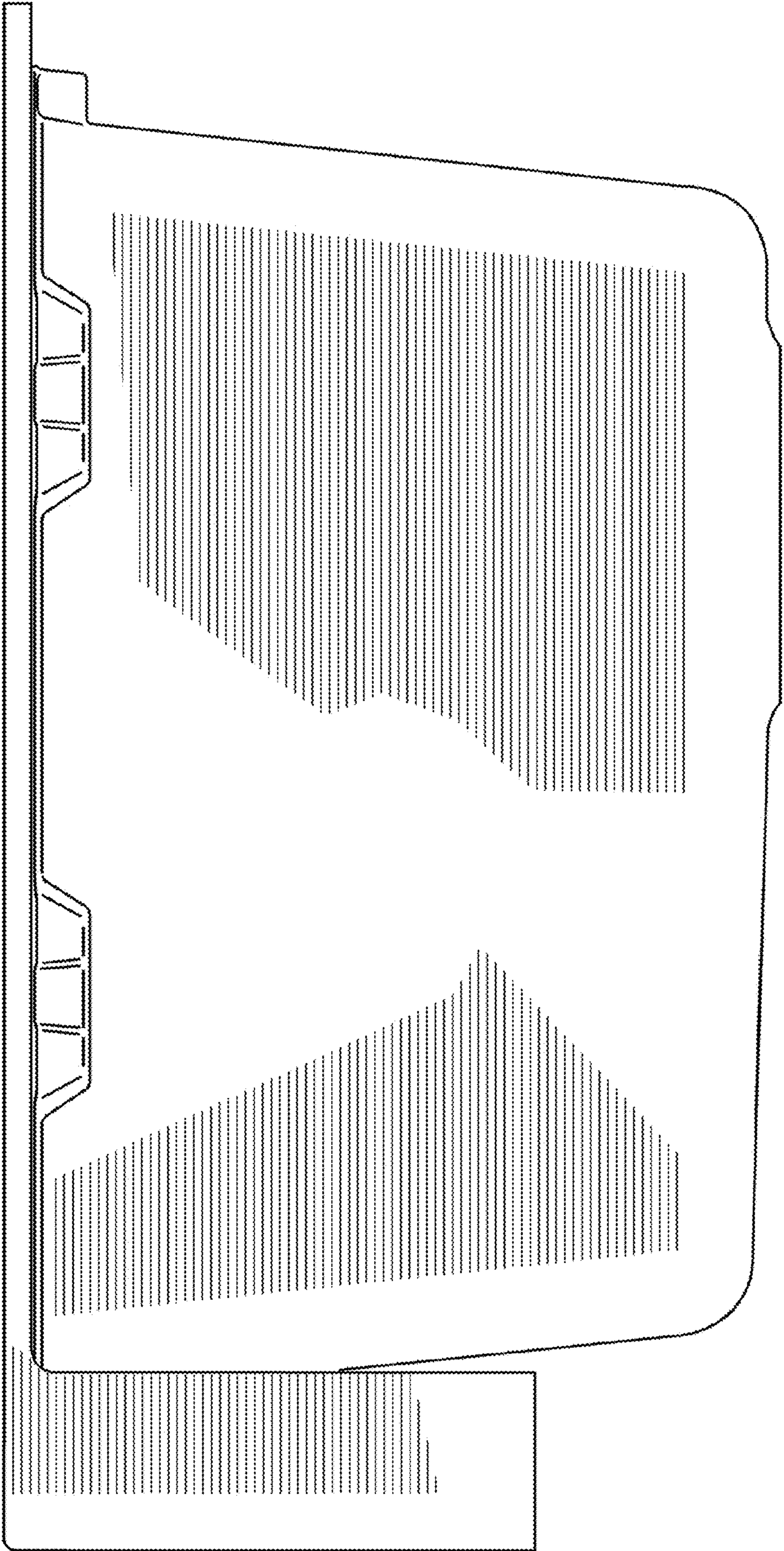


FIG. 7