



US00D961738S

(12) **United States Design Patent** (10) **Patent No.:** **US D961,738 S**
Gardner et al. (45) **Date of Patent:** **** Aug. 23, 2022**

(54) **CONNECTOR**

(71) Applicant: **Mercury Plastics, Inc.**, Middlefield, OH (US)

(72) Inventors: **Scott R. Gardner**, Chagrin Falls, OH (US); **Russell Clayton**, Gladwin, MI (US)

(73) Assignee: **Mercury Plastics LLC**, Middlefield, OH (US)

(**) Term: **15 Years**

(21) Appl. No.: **29/721,400**

(22) Filed: **Jan. 21, 2020**

Related U.S. Application Data

(63) Continuation of application No. 15/442,011, filed on Feb. 24, 2017, now Pat. No. 10,591,103.

(51) **LOC (13) Cl.** **23-01**

(52) **U.S. Cl.**
USPC **D23/259**; D24/129

(58) **Field of Classification Search**
USPC 137/551-552; 251/331, 143, 146-148, 251/152, 366; D23/213, 233, 235, D23/259-262, 264-266; 285/91, 345, 285/377, 388, 390, 16, 45, 148.22, 285/148.26, 244, 384, 395, 420, 148.2, 285/148.14, 148.19, 148.21, 269, 328, 285/114; D24/112, 127, 129, 108, 110.6, D24/113, 130; D13/133, 154-156; 138/109; 604/535; 403/11, 34, 196-197, 403/222, 325, 329, 334, 343; D8/382, D8/394-396
CPC F16L 11/00; F16L 57/005

See application file for complete search history.

(56) **References Cited**

U.S. PATENT DOCUMENTS

D57,407 S *	3/1921	Walker	D23/269
2,082,164 A *	6/1937	Karrer	F16L 19/00
				285/14
2,251,718 A *	8/1941	Parker	F16L 19/04
				285/27
2,295,830 A *	9/1942	Carlson	F16L 35/00
				285/115
D191,883 S *	12/1961	Wing	D8/397
D244,909 S *	7/1977	Gill	D8/397
5,553,895 A *	9/1996	Karl	F16L 37/0887
				285/308
5,732,985 A *	3/1998	Suzuki	F16L 19/0225
				285/332
5,887,911 A *	3/1999	Kargula	F16L 37/0887
				285/332
6,890,005 B1 *	5/2005	Chisnell	F16L 19/02
				285/124.1

(Continued)

Primary Examiner — Amy C Wierenga

(74) *Attorney, Agent, or Firm* — Bose McKinney & Evans LLP; Nirav D. Parikh; Jeffrey L. Doyle

(57) **CLAIM**

The ornamental design for a connector, as shown and described.

DESCRIPTION

This application is a continuation of U.S. patent application Ser. No. 15/442,011 filed on Feb. 24, 2017.

FIG. 1 is a first perspective view of a connector showing our new design;

FIG. 2 is a second perspective view thereof;

FIG. 3 is a first side view thereof;

FIG. 4 is a second side view thereof;

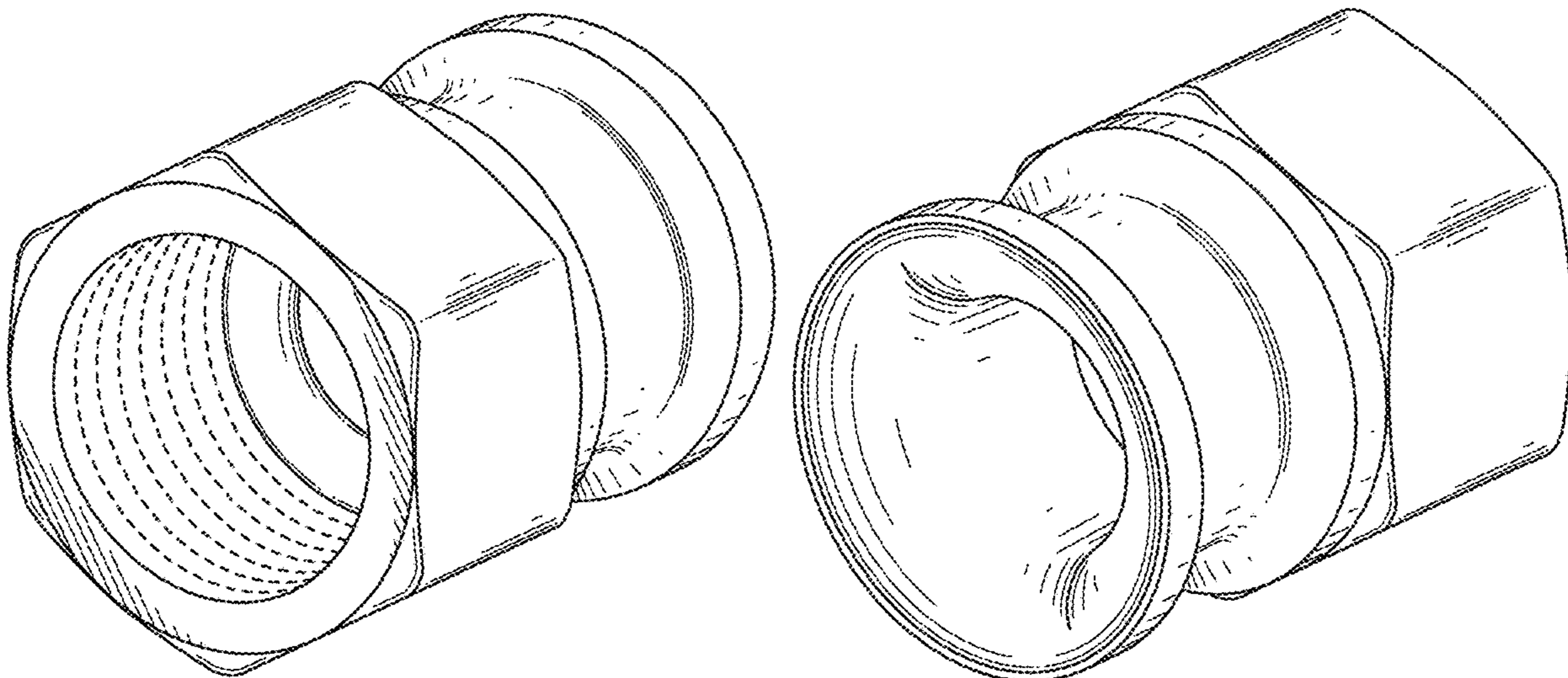
FIG. 5 is a first end view thereof;

FIG. 6 is a second end view thereof; and,

FIG. 7 is a cross-sectional view of section 7-7 of FIG. 4.

The dashed broken lines illustrate portions of the connector that form no part of the claimed design.

1 Claim, 4 Drawing Sheets



(56)

References Cited

U.S. PATENT DOCUMENTS

7,387,318 B2 * 6/2008 Yoshida F02M 35/10144
285/321
D679,988 S * 4/2013 Yamazaki D8/397
D832,094 S * 10/2018 Omori D8/397
D838,676 S * 1/2019 Smith D13/155
D854,128 S * 7/2019 Norton D23/266
10,591,103 B1 * 3/2020 Gardner F16L 19/0231
2005/0023832 A1 * 2/2005 Edler F16L 25/0036
285/903
2011/0275022 A1 * 11/2011 Griffith F23D 14/50
431/121
2015/0115602 A1 * 4/2015 Clason F16L 37/092
285/345
2015/0263498 A1 * 9/2015 Thomas H02G 3/088
174/50
2016/0273695 A1 * 9/2016 Bobo F16L 37/0915
2016/0312932 A1 * 10/2016 Williams F16L 37/0927
2017/0082231 A1 * 3/2017 Crompton F16L 37/0915

* cited by examiner

FIG. 1

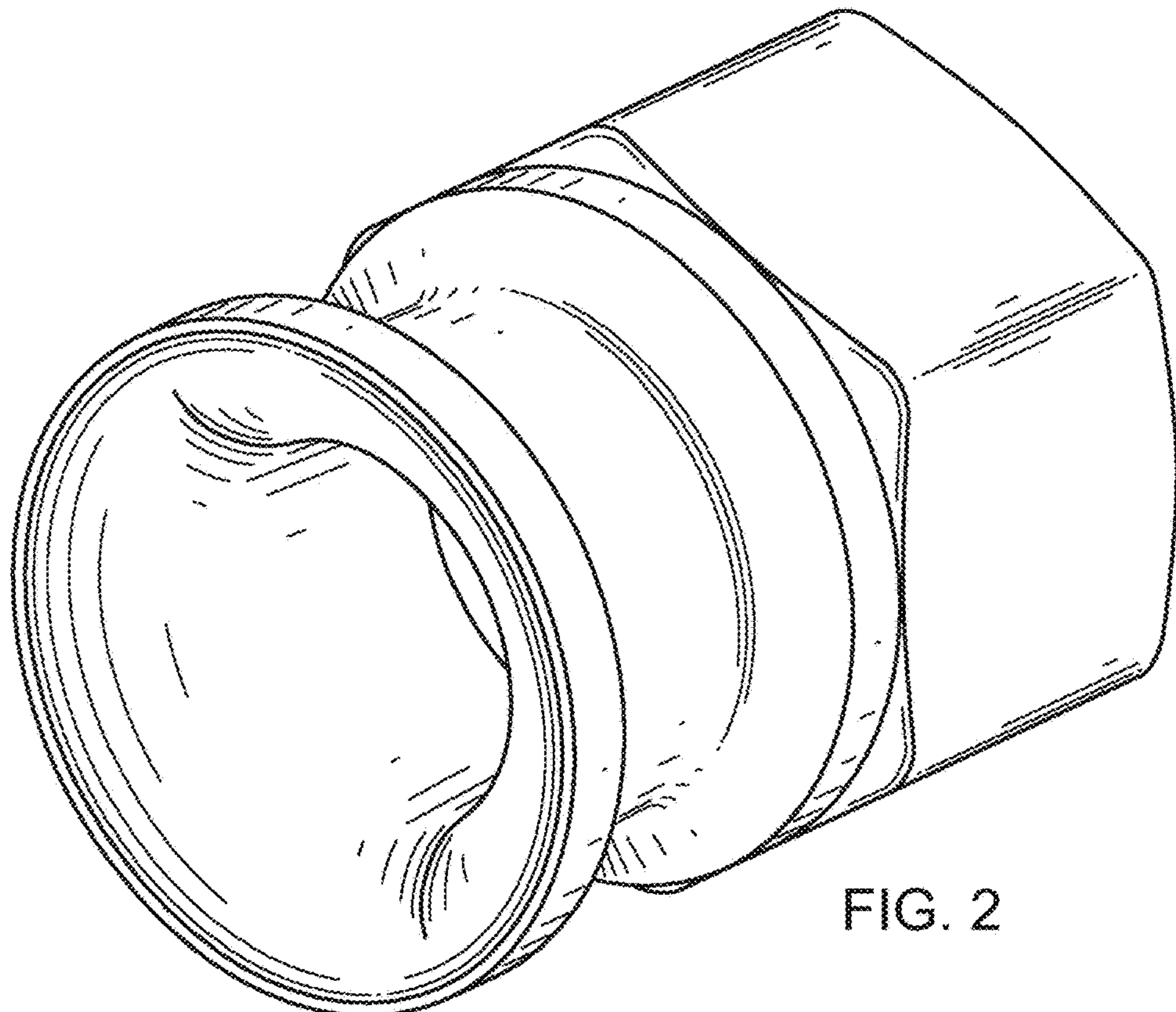
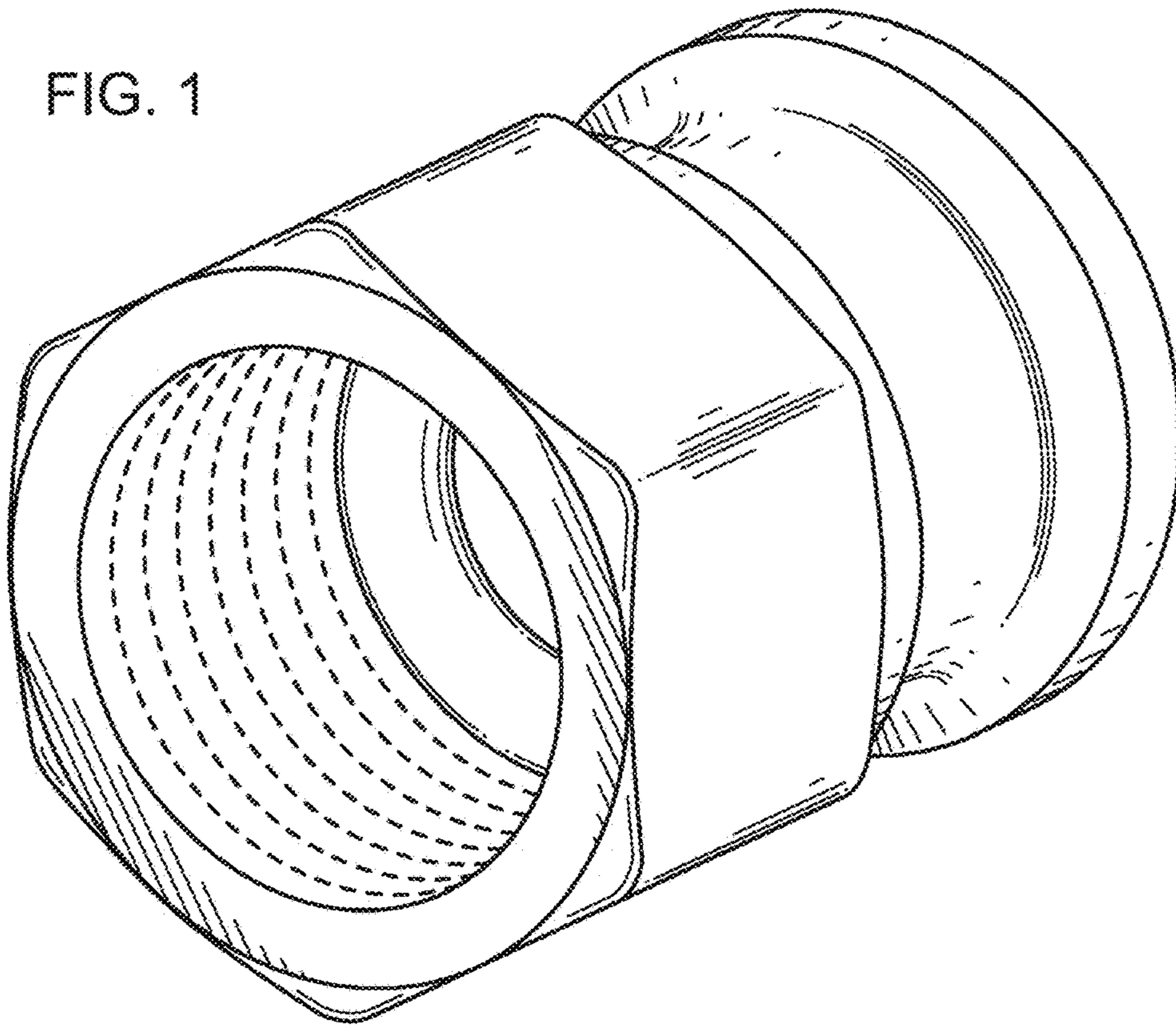


FIG. 2

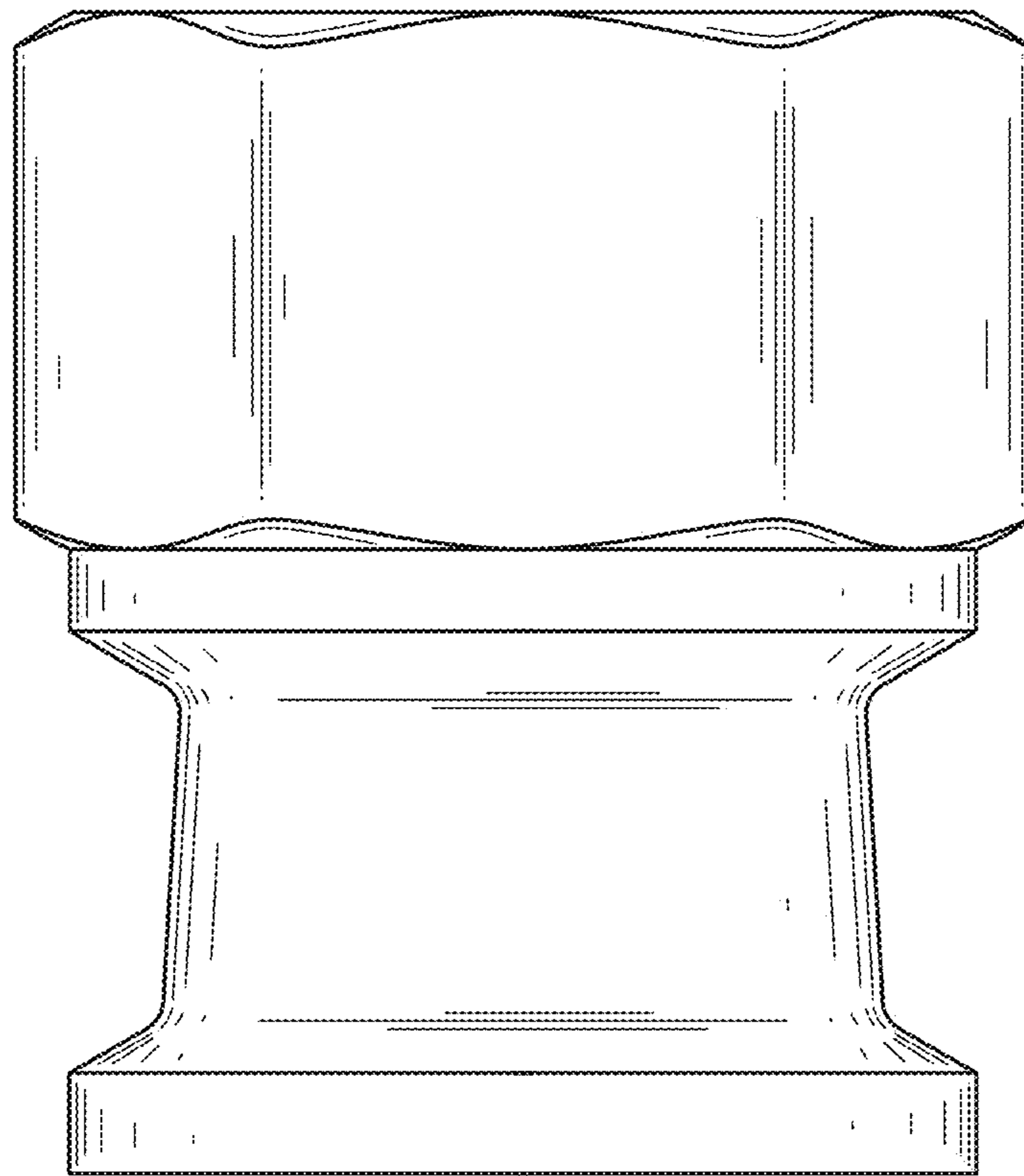


FIG. 3

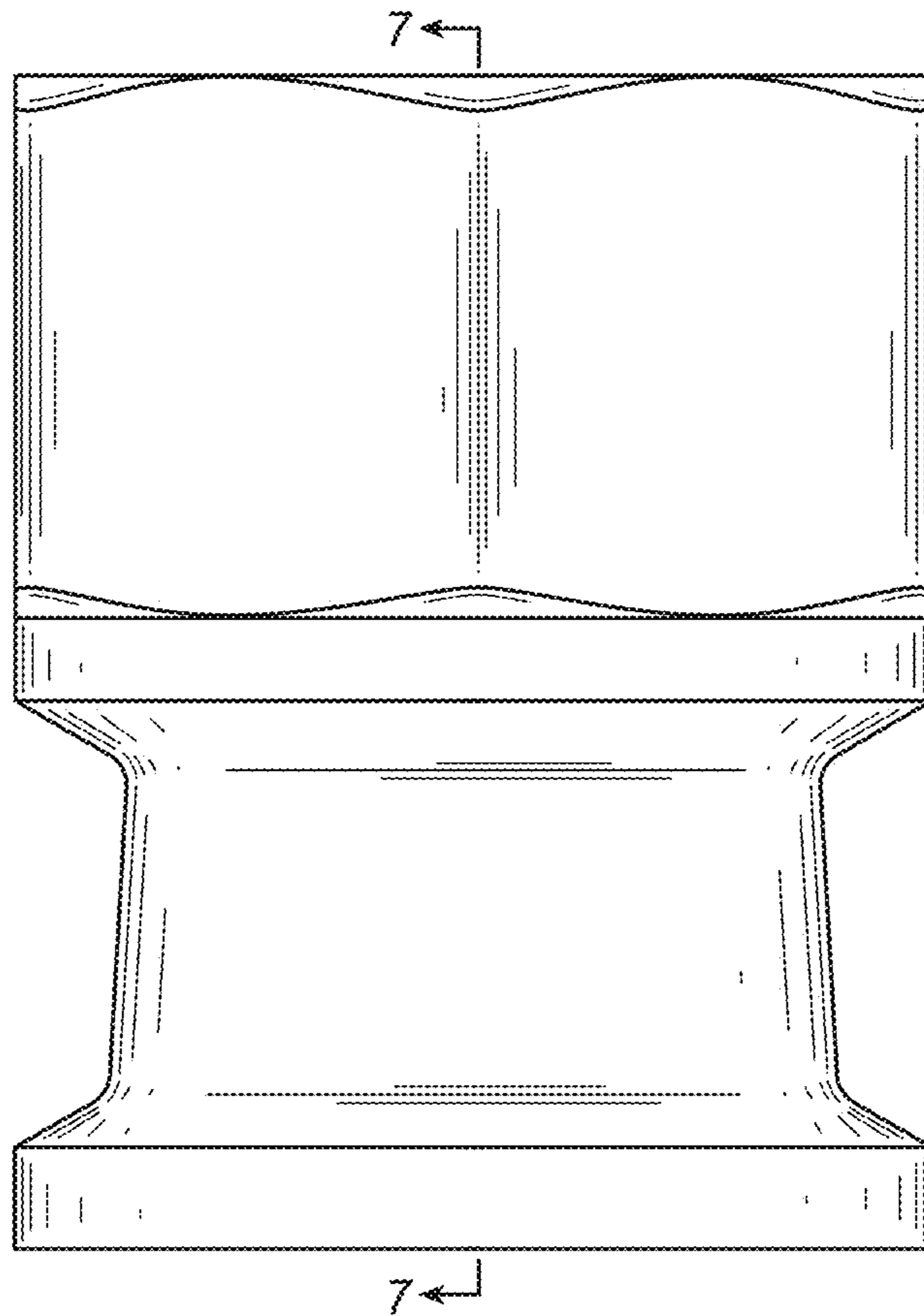


FIG. 4

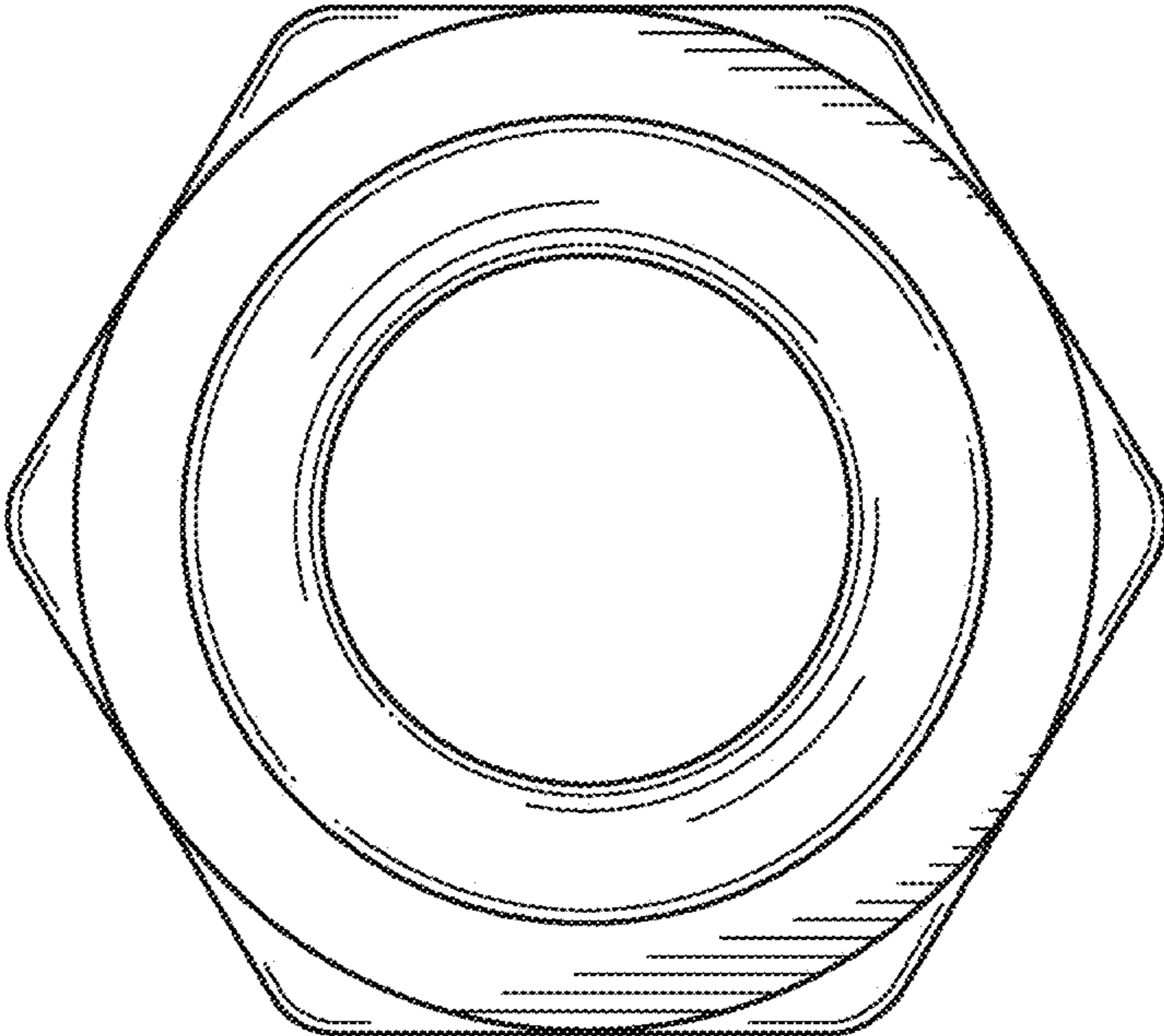


FIG. 5

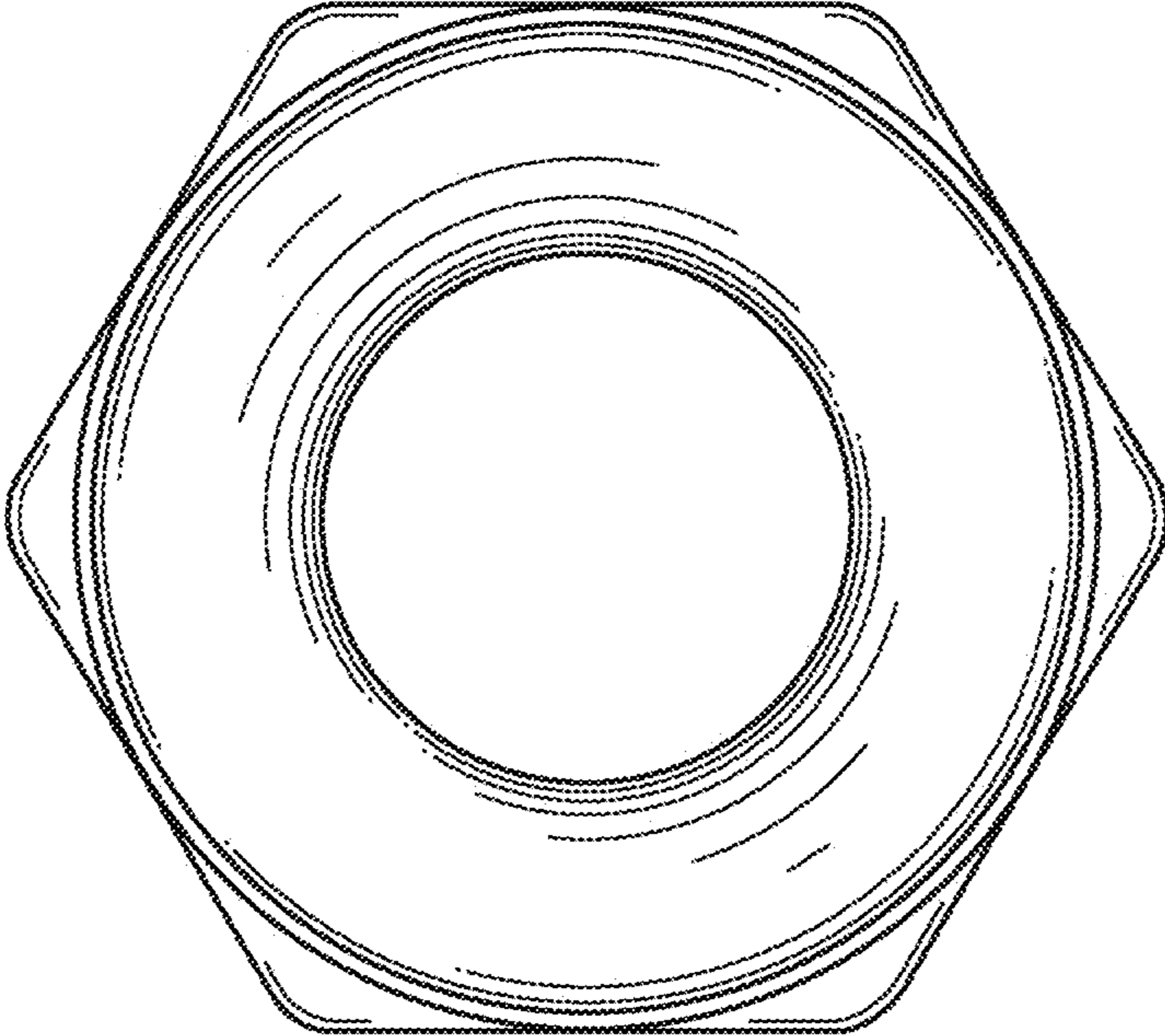


FIG. 6

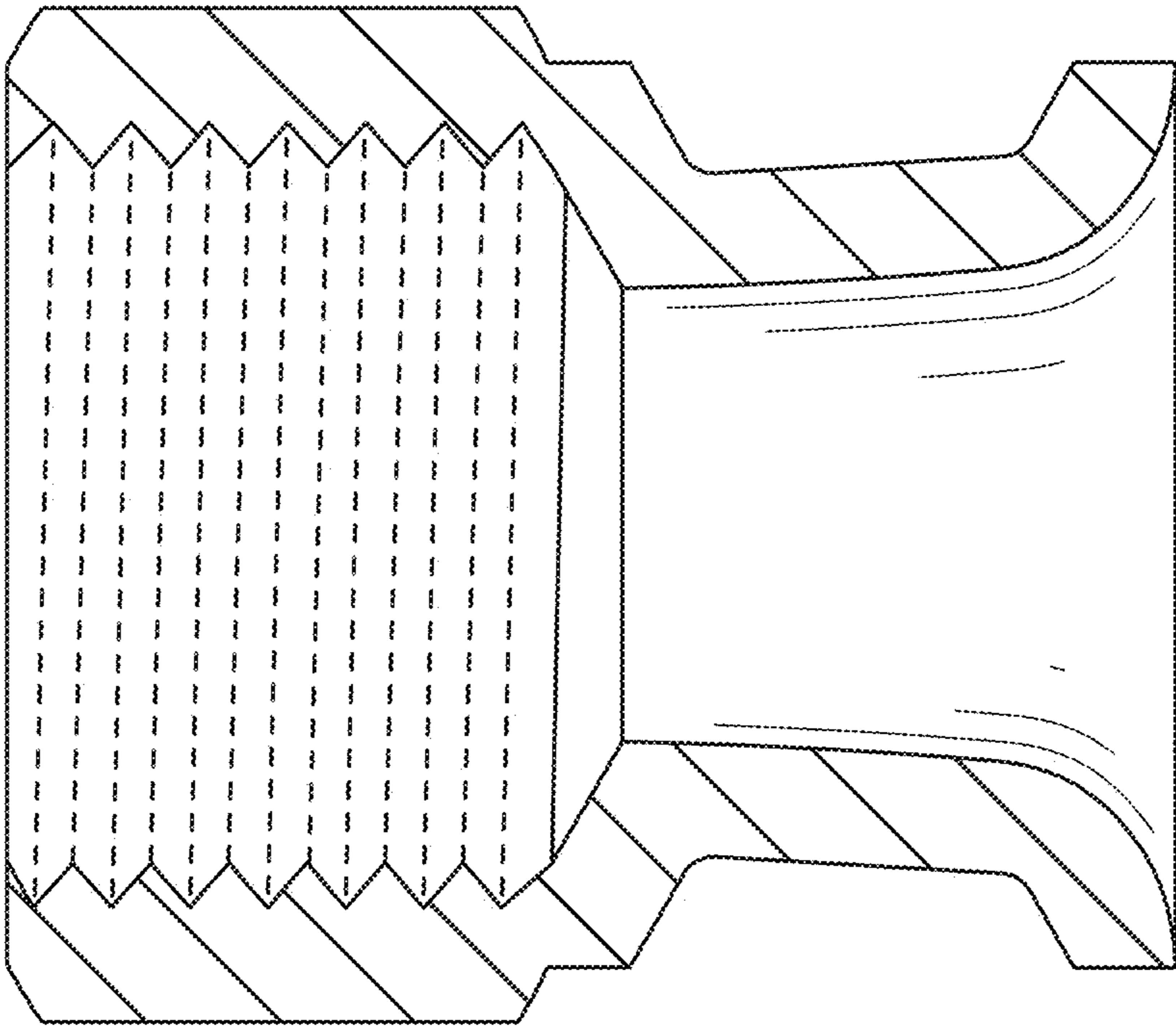


FIG. 7