



US00D961736S

(12) **United States Design Patent** (10) **Patent No.:** **US D961,736 S**
Kim (45) **Date of Patent:** **** Aug. 23, 2022**

(54) **FAUCET**
(71) Applicant: **Spectrum Brands, Inc.**, Middleton, WI (US)

(72) Inventor: **Andy Kim**, Lake Forest, CA (US)

(73) Assignee: **Spectrum Brands, Inc.**, Middleton, WI (US)

(**) Term: **15 Years**

(21) Appl. No.: **29/736,948**

(22) Filed: **Jun. 4, 2020**

(51) **LOC (13) Cl.** **23-01**

(52) **U.S. Cl.**
USPC **D23/241**

(58) **Field of Classification Search**
USPC D23/238-243, 249-250, 252, 254-255,
D23/257; D8/307-308, 353
See application file for complete search history.

(56) **References Cited**

U.S. PATENT DOCUMENTS

D488,540 S 4/2004 Ouyoung
D715,900 S 10/2014 Flowers et al.
D797,252 S 9/2017 Zhang et al.
D823,991 S * 7/2018 Schaubach D23/242
D873,965 S * 1/2020 Lazarini D23/241
D933,785 S * 10/2021 Upadhyaya D23/242

FOREIGN PATENT DOCUMENTS

CN 301362275 10/2010
CN 301734968 11/2011
CN 302651765 11/2013
CN 304258106 8/2017

CN 305028950 2/2019
CN 305076994 3/2019
CN 305612547 2/2020

OTHER PUBLICATIONS

“Fluent Centerset Bathroom Faucet”, American Standard; retrieved Mar. 22, 2020; disclosure date unknown but prior to the filing date of the present application; URL: <<https://www.americanstandard-us.com/bathroom/bathroom-sink-faucets/71/86/fluent-two-handle-centerset-bathroom-faucet-23742>>.

“Two Handle Centerset Bathroom Faucet”; Delta Faucet; retrieved Mar. 22, 2020; disclosure date unknown but prior to the filing date of present application; URL: <<https://www.deltafaucet.com/bathroom/product/25765LF-PD>>.

(Continued)

Primary Examiner — Robert A Delehanty

(74) *Attorney, Agent, or Firm* — Banner & Witcoff, Ltd.

(57) **CLAIM**

The ornamental design for a faucet, as shown and described.

DESCRIPTION

FIG. 1 is a front perspective view of a faucet showing my new design;

FIG. 2 is a front view thereof;

FIG. 3 is a rear view thereof;

FIG. 4 is a left side view thereof;

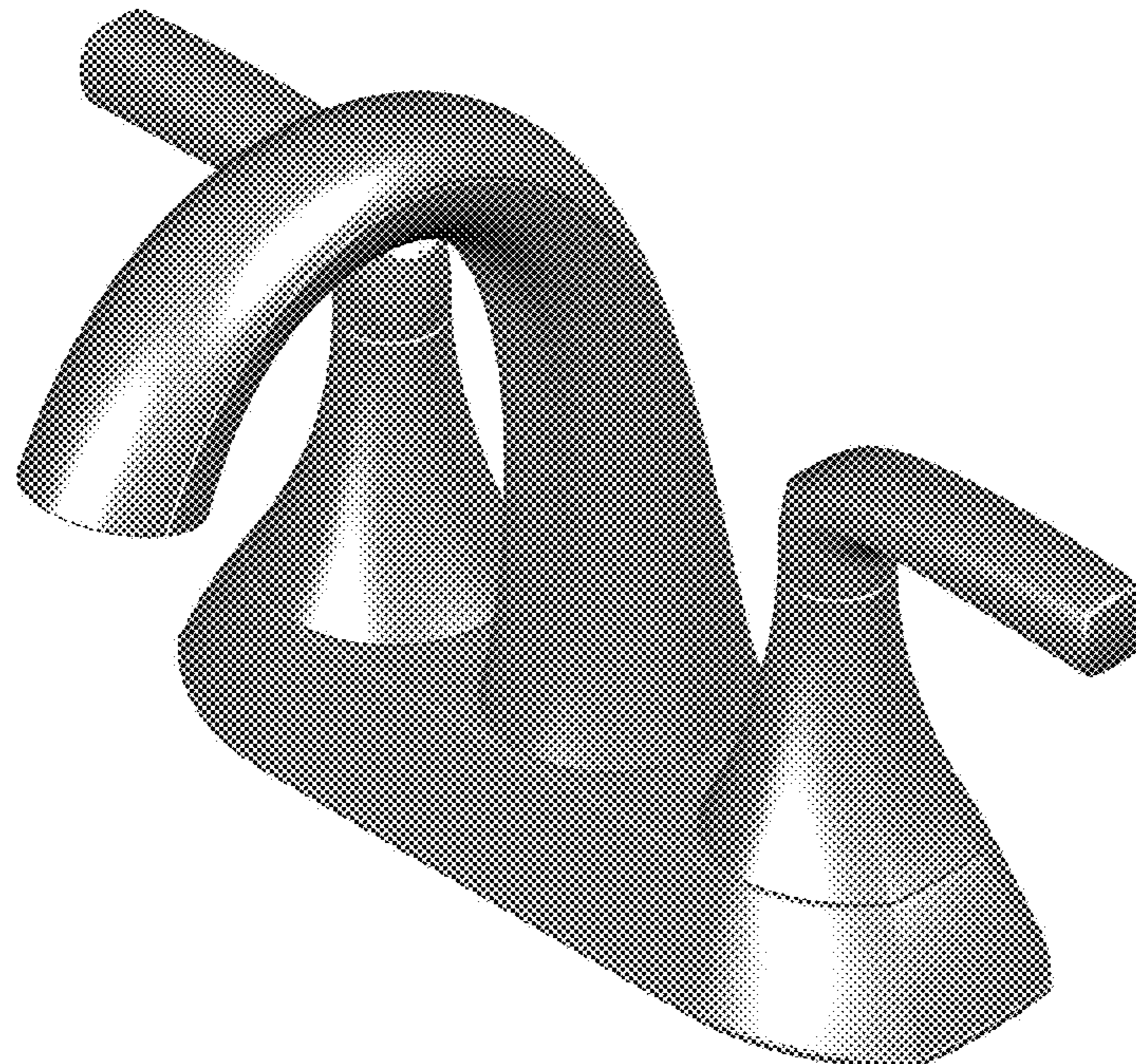
FIG. 5 is a right side view thereof;

FIG. 6 is a top view thereof; and,

FIG. 7 is a bottom view thereof.

The broken lines immediately adjacent to the photographic area define the bounds of the claimed design and form no part thereof. The unshaded areas within the broken lines form no part of the claimed design.

1 Claim, 7 Drawing Sheets



(56)

References Cited

OTHER PUBLICATIONS

“Two Handle Centerset Bathroom Faucet”; Delta Faucet; retrieved Mar. 22, 2020; disclosure date unknown but prior to the filing date of present application; URL: <<https://www.deltafaucet.com/bathroom/product/2538-SSMPU-DST>>.

“Centerset Bathroom Sink Faucet”; Kohler; retrieved Mar. 22, 2020; disclosure date unknown but prior to the filing date of present application; URL: <<https://www.us.kohler.com/us/lilyfield-centerset-bathroom-sink-faucet/productDetail/commercial-faucets/1282243.htm?skuId=1282235&brandId=empty&>>.

“Darcy Spot Resist Brushed Nickel Two-Handle Low Arc Bathroom Faucet—WS84550SRN”, Moen; retrieved Mar. 22, 2020; disclosure date unknown but prior to the filing date of the present application; URL: <https://www.moen.com/products/Darcy/Darcy_Spot-resist_brushed_nickel_twohandle_low_arc_bathroom_faucet/WS84550SRN>.

“Graeden Spot Resist Brushed Nickel Two-Handle Bathroom Faucet—84137SRN”, Moen; retrieved Mar. 22, 2020; disclosure date unknown but prior to the filing date of the present application; URL: <https://www.moen.com/products/Graeden_Spot_resist_brushed_nickel_twohandle_bathroom_faucet/84137SRN>.

* cited by examiner

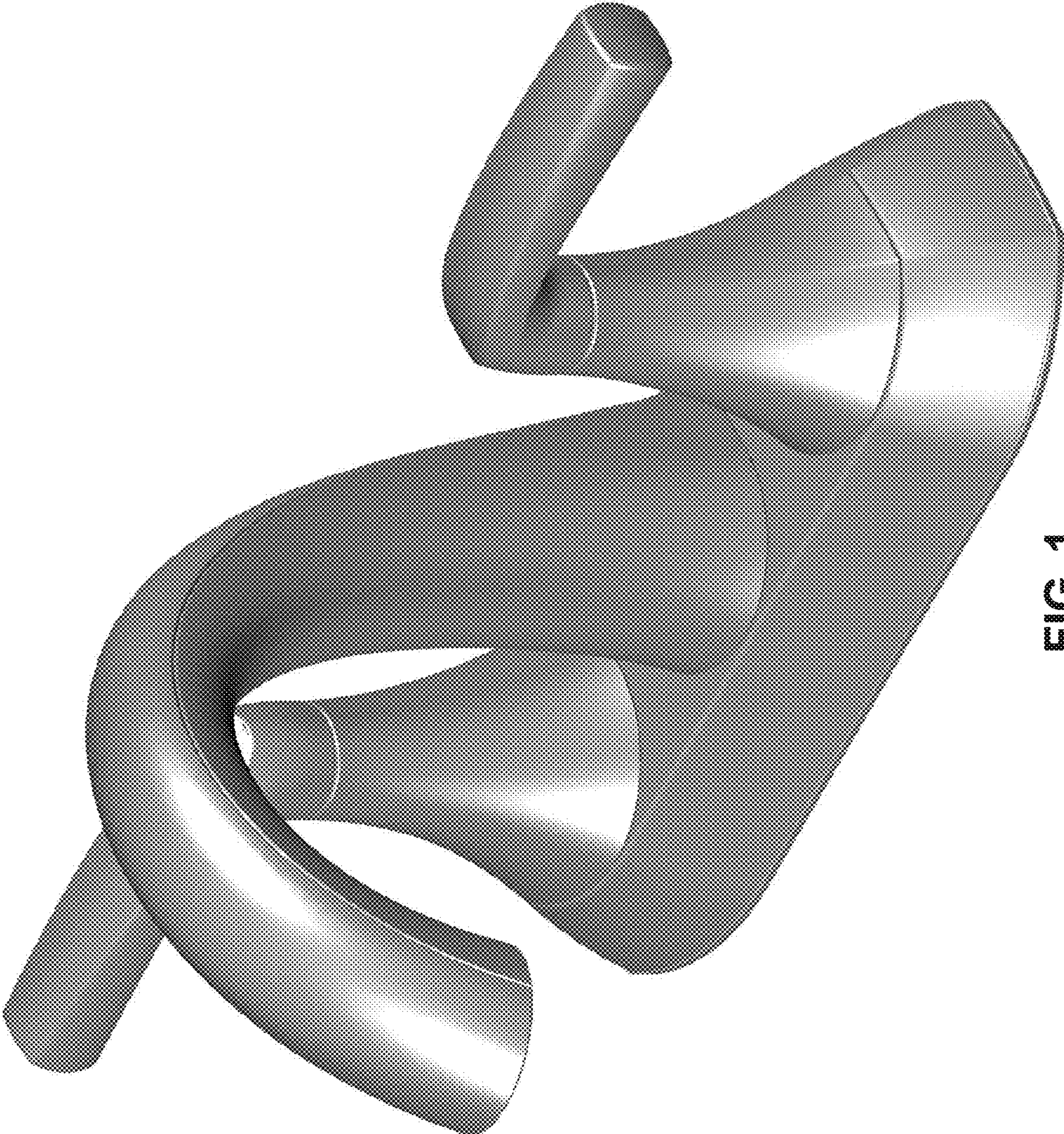


FIG. 1

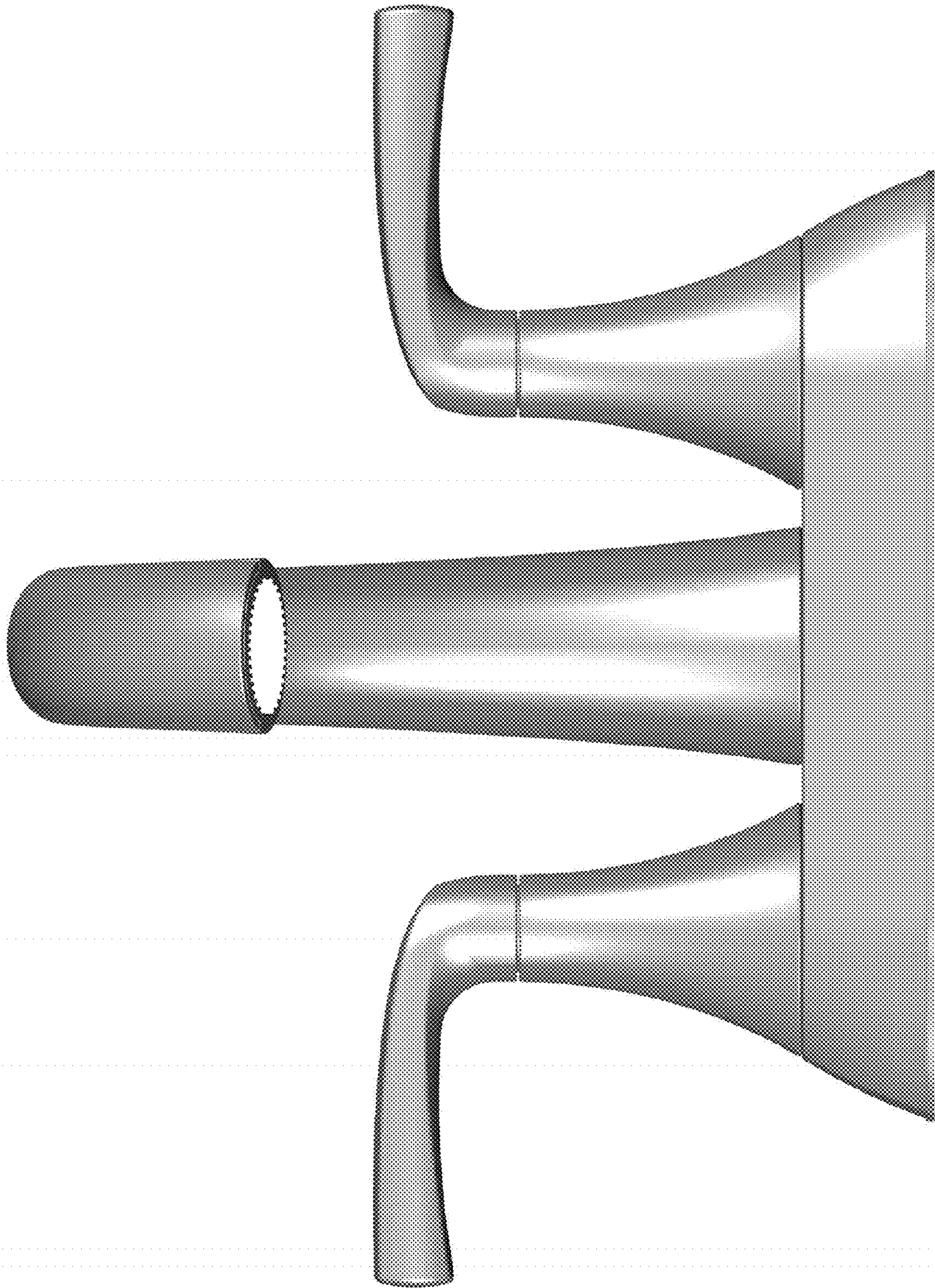


FIG. 2

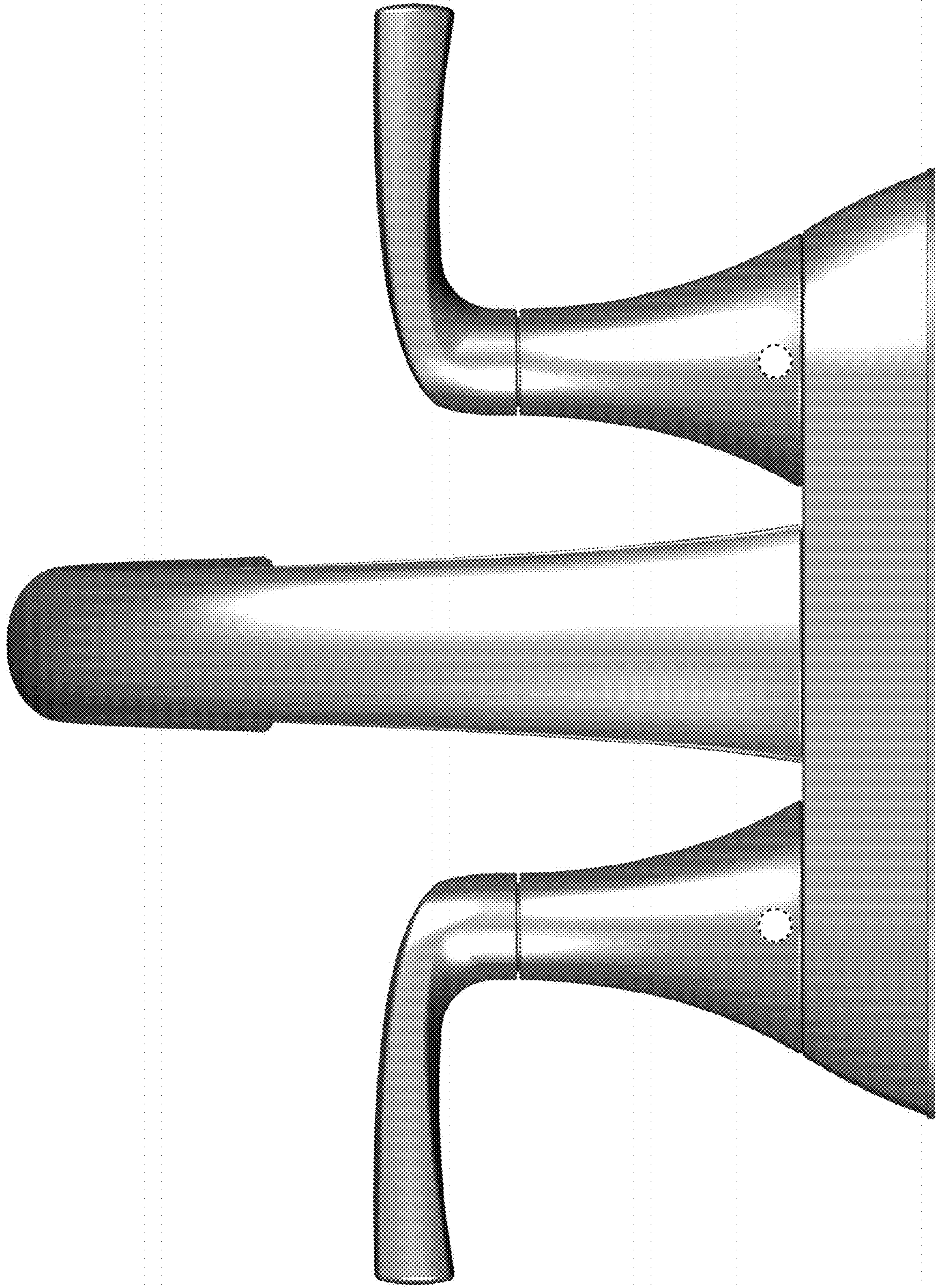


FIG. 3

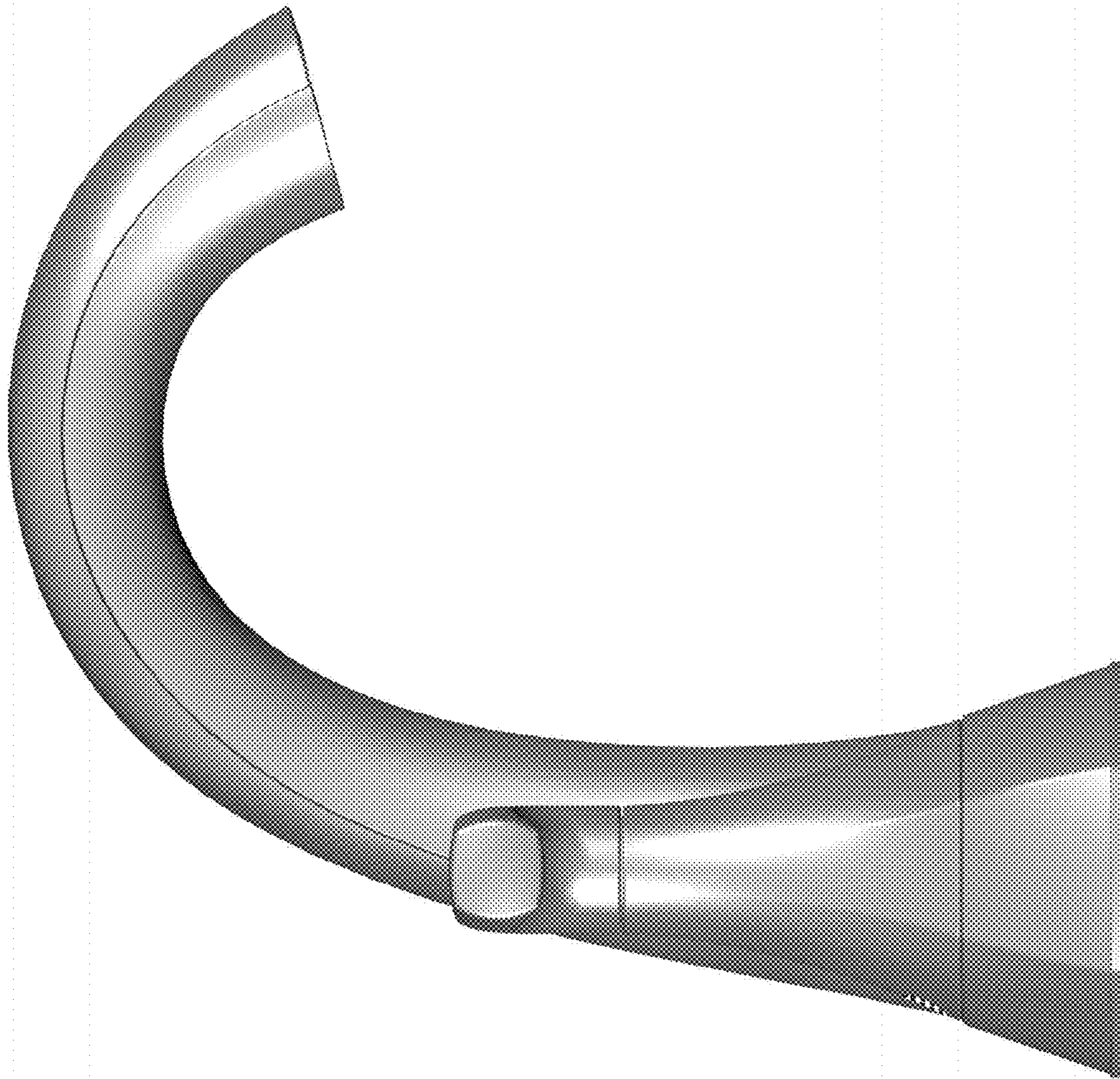


FIG. 4

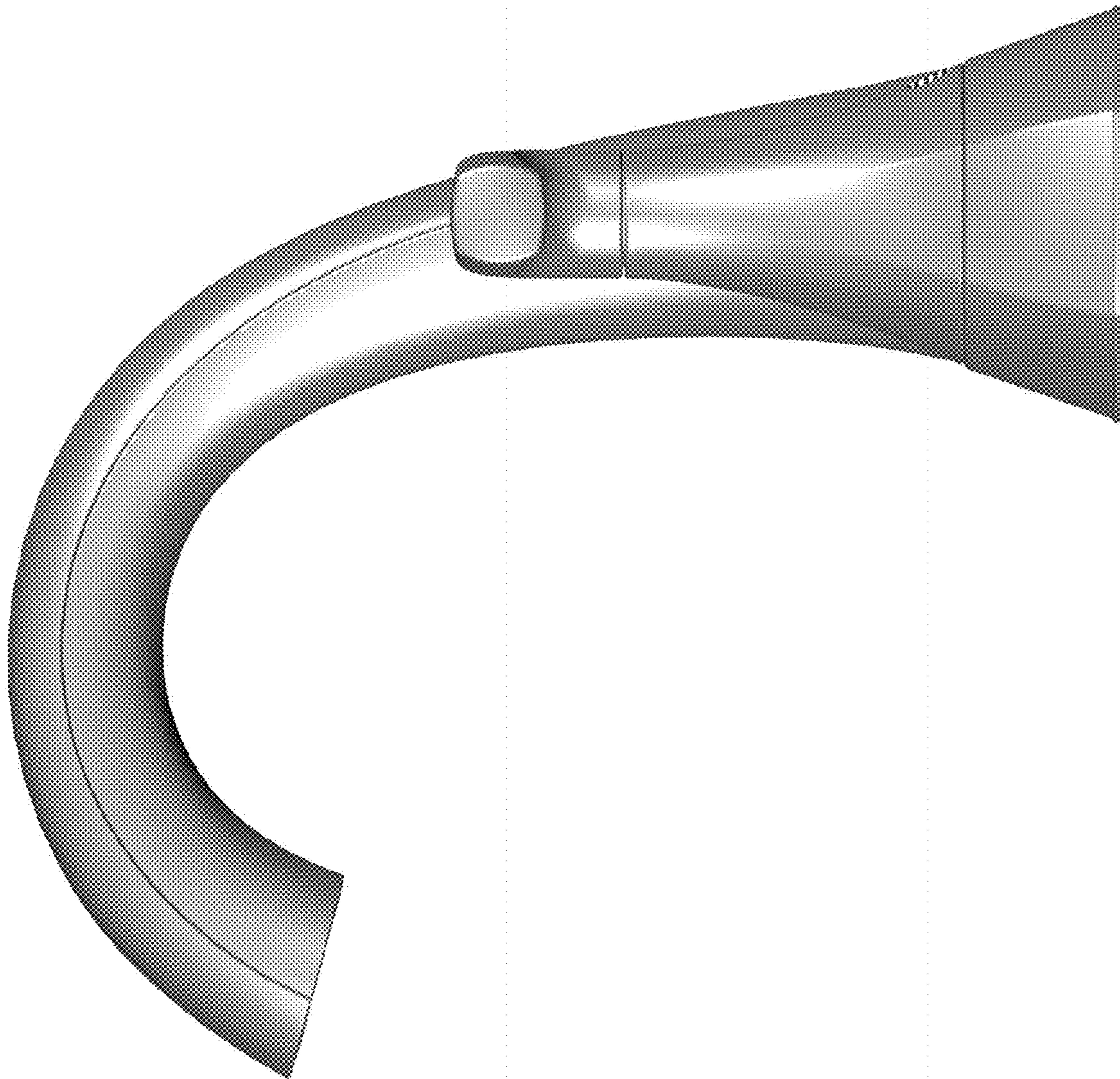


FIG. 5

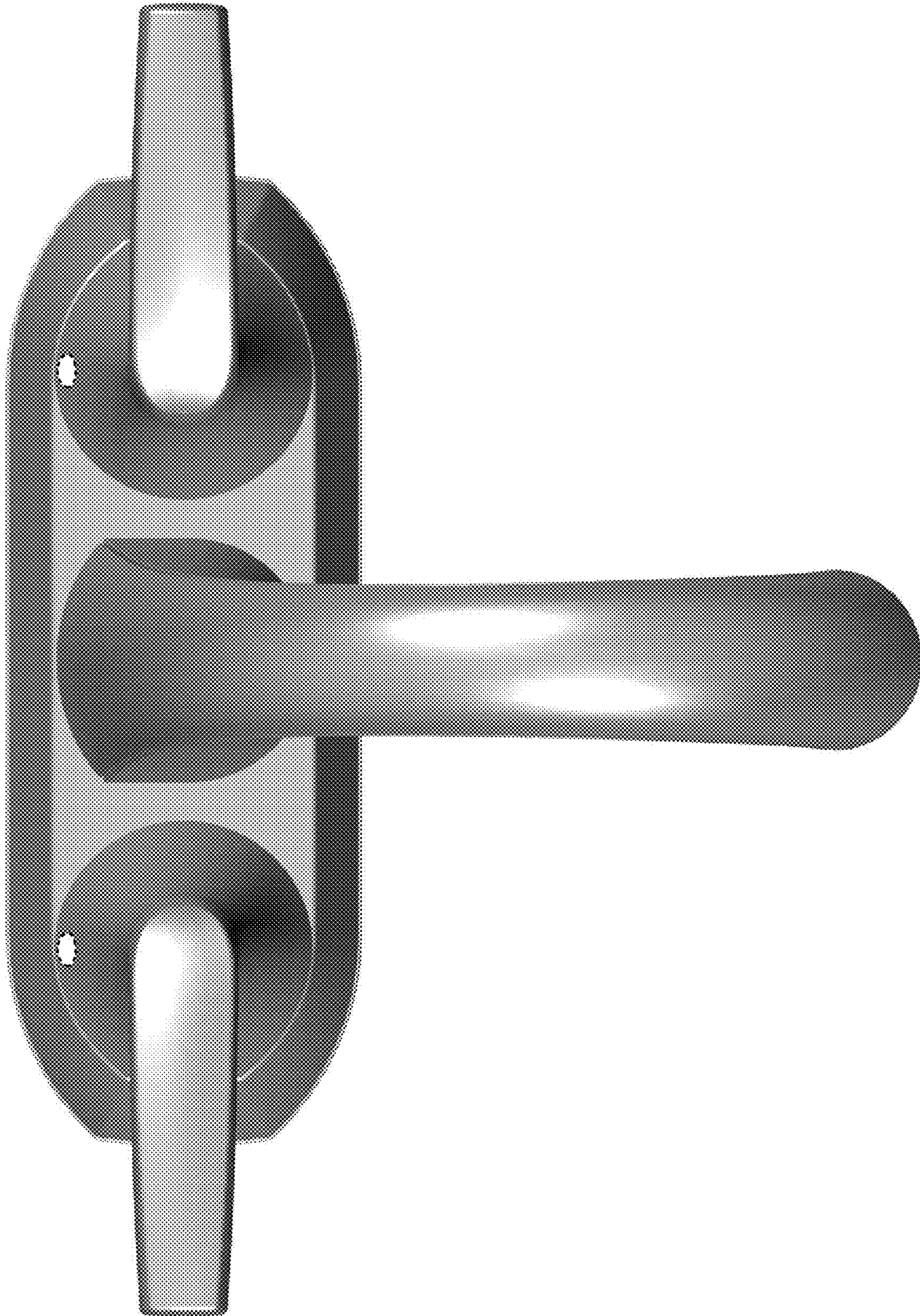


FIG. 6

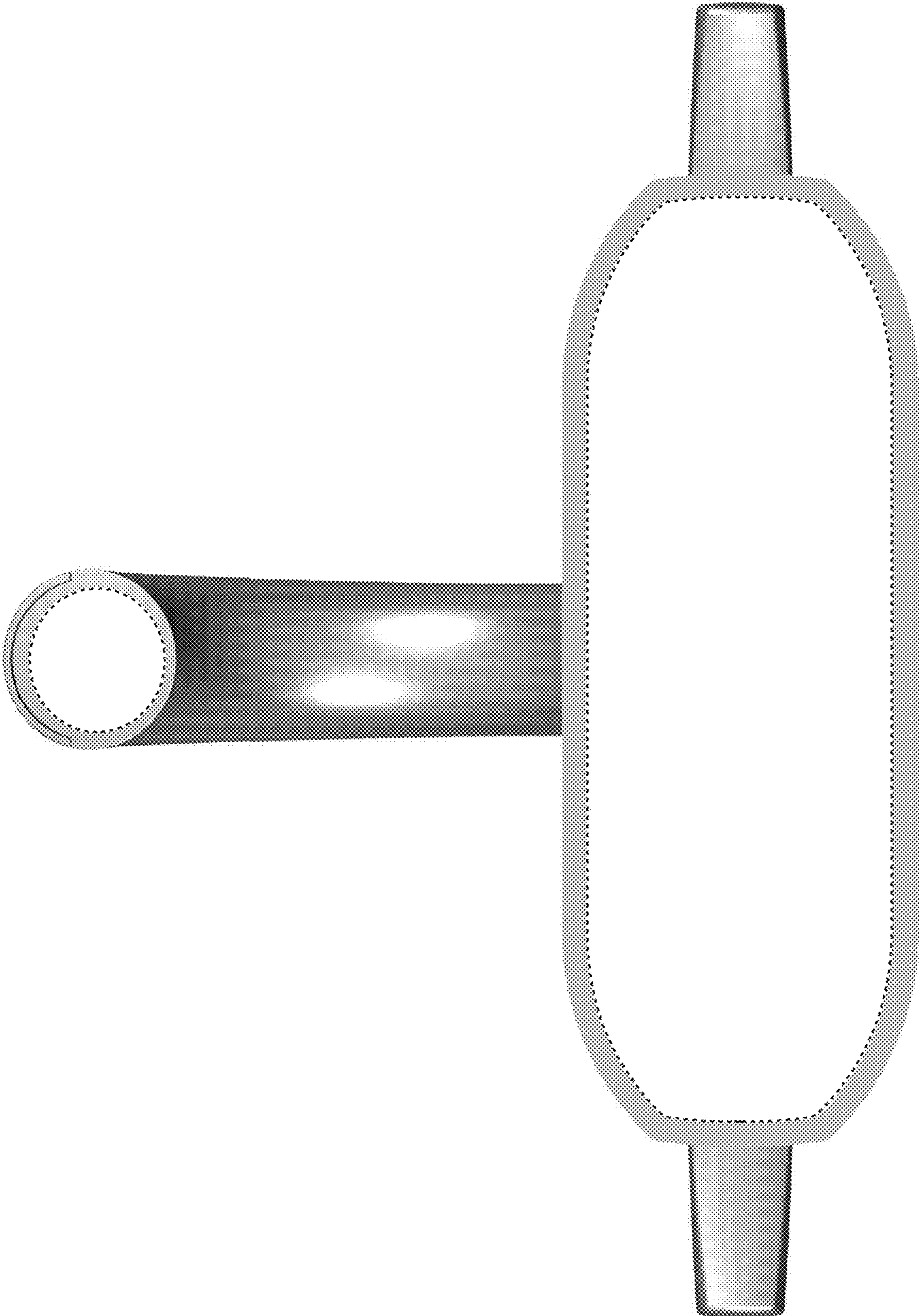


FIG. 7