



US00D961735S

(12) **United States Design Patent** (10) **Patent No.:** **US D961,735 S**  
**Kulig** (45) **Date of Patent:** **\*\* Aug. 23, 2022**

(54) **SINGLE HOLE FAUCET**  
(71) Applicant: **Graff Faucets**, Milwaukee, WI (US)  
(72) Inventor: **Zbigniew Kulig**, Wadsworth, IL (US)  
(73) Assignee: **Graff faucet**, Milwaukee, WI (US)  
(\*\*) Term: **15 Years**

D654,568 S \* 2/2012 Yu ..... D23/238  
D658,272 S \* 4/2012 McClure ..... D23/255  
D684,666 S \* 6/2013 Lord ..... D23/238  
D803,986 S \* 11/2017 Schoenherr ..... D23/238  
D811,529 S \* 2/2018 Schoenherr ..... D23/238  
D851,218 S \* 6/2019 Bahler ..... D23/252  
D873,964 S \* 1/2020 Soulier ..... D23/238  
D913,437 S \* 3/2021 Zhu ..... D23/238  
D914,163 S \* 3/2021 Zhu ..... D23/257  
D925,703 S \* 7/2021 Soulier ..... D23/238

(Continued)

(21) Appl. No.: **29/762,249**

(22) Filed: **Dec. 15, 2020**

(51) **LOC (13) Cl.** ..... **23-01**

(52) **U.S. Cl.**  
USPC ..... **D23/238**

(58) **Field of Classification Search**  
USPC ..... D23/238, 239, 240, 241, 242, 243, 246,  
D23/247, 249, 250, 251, 252, 253, 254,  
D23/255, 256, 257  
CPC ..... E03C 1/01; E03C 1/0409; E03C 1/025;  
E03C 1/0408; E03C 1/04; E03C 1/0401;  
E03C 1/0402; E03C 1/0405; E03C  
1/0412; Y10T 137/5339; Y10T 137/6014;  
Y10T 137/6021

See application file for complete search history.

(56) **References Cited**

**U.S. PATENT DOCUMENTS**

217,817 A \* 7/1879 Poage ..... B60S 5/043  
137/274  
D364,217 S \* 11/1995 Dubin ..... D23/252  
D389,898 S \* 1/1998 Delker ..... D23/255  
D464,406 S \* 10/2002 Gottwald ..... D23/255  
D517,647 S \* 3/2006 Kulig ..... D23/238  
D541,620 S \* 5/2007 Roberts, III ..... D8/308  
D583,034 S \* 12/2008 Jones ..... D23/309  
7,484,524 B1 \* 2/2009 Yu ..... F16K 19/006  
137/315.12  
D594,936 S \* 6/2009 Schoenherr ..... D23/238  
D644,301 S \* 8/2011 Flowers ..... D23/238

**FOREIGN PATENT DOCUMENTS**

CA 2966214 A1 \* 5/2015 ..... E03C 1/0412  
EP 3021023 B1 \* 7/2017 ..... E03C 1/0412

**OTHER PUBLICATIONS**

Amazon, GAPPO Mono Basin Mixer Tap with Lead Free Stainless Steel Single Lever Bathroom Sink Tap, posted May 19, 2019, [online], [visited Feb. 11, 2022]. Internet, <URL: <https://www.amazon.co.uk/dp/B07S4LKJD/ref>> (Year: 2019).\*

(Continued)

*Primary Examiner* — Samantha Wood  
(74) *Attorney, Agent, or Firm* — Defillo & Associates, Inc.; Evelyn A. Defillo

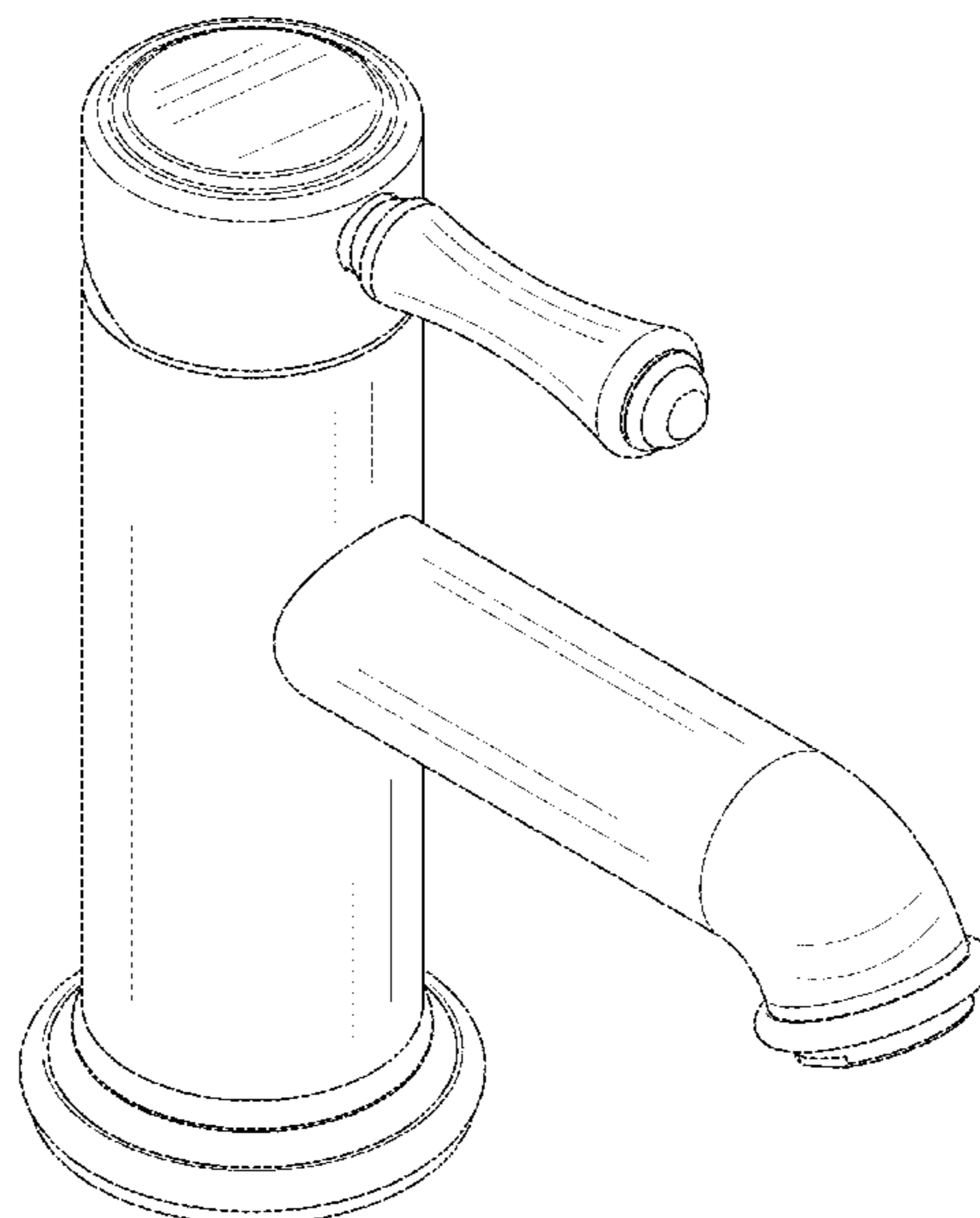
(57) **CLAIM**

The ornamental design for a single hole faucet, as shown and described.

**DESCRIPTION**

FIG. 1 is a perspective front view of a single hole faucet according to the present invention;  
FIG. 2 is a front view of the single hole faucet of FIG. 1;  
FIG. 3 is a side view of the single hole faucet of FIG. 1;  
FIG. 4 is a back view of the single hole faucet of FIG. 1; and,  
FIG. 5 is a top view of the single hole faucet of FIG. 1.

**1 Claim, 5 Drawing Sheets**



(56)

**References Cited**

U.S. PATENT DOCUMENTS

D935,568 S \* 11/2021 Soulier ..... D23/255  
D939,053 S \* 12/2021 Soulier ..... D23/238

OTHER PUBLICATIONS

Rustic Sinks, Short Lavatory Faucet with Elbow Spout, [online], [visited Feb. 12, 2022]. Internet, <URL: <https://rusticsinks.com/collections/bathroom-faucets-for-the-lavatory/products/short-lavatory-faucet-with-elbow-spout>> (Year: 2022).\*

Tattahome, Graff Lauren Basin Mixer, [online], [visited Feb. 12, 2022]. Internet, <URL: <https://www.tattahome.com/en/tapware/24768-graff-lauren-basin-mixer.html>> (Year: 2022).\*

\* cited by examiner

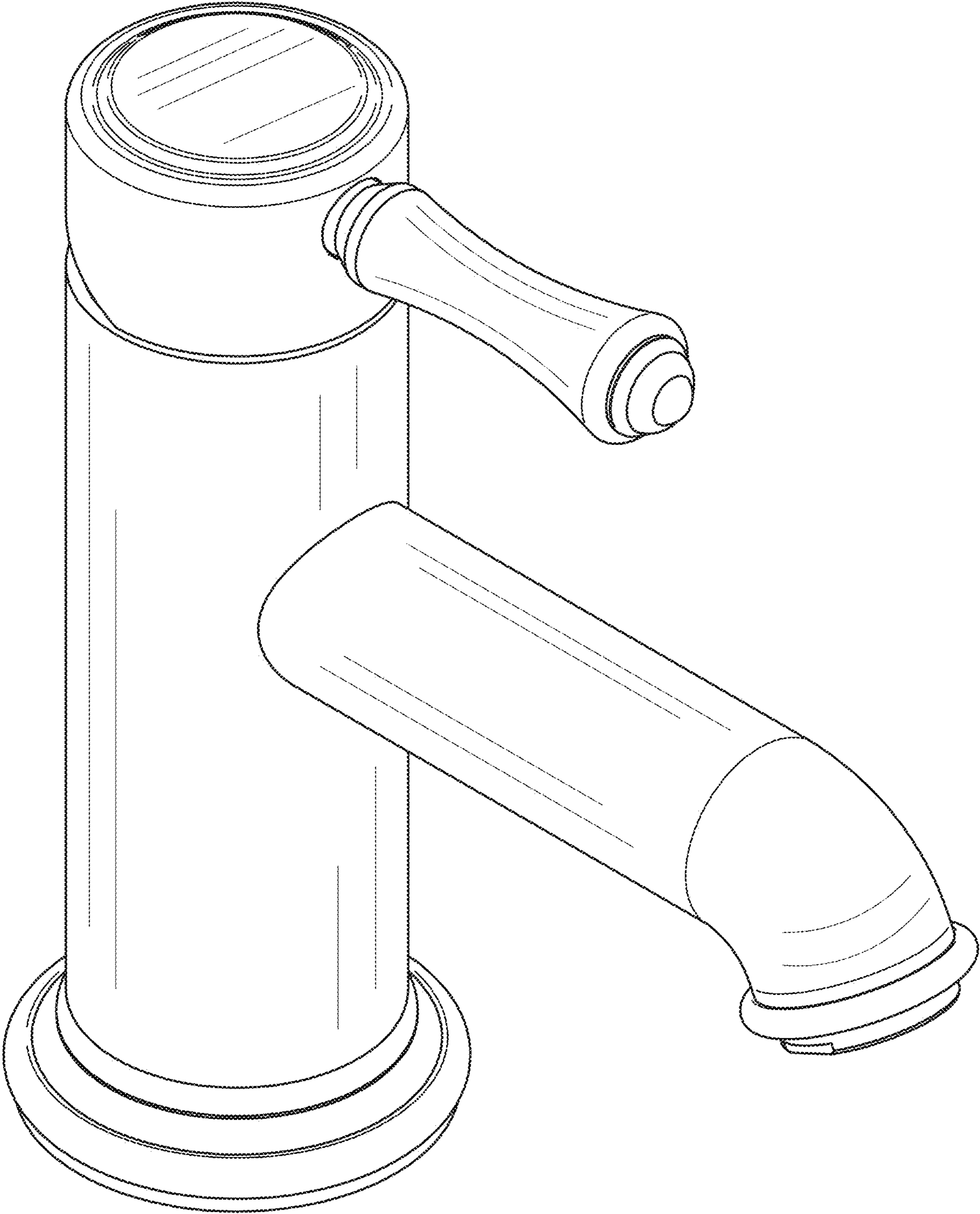


FIG. 1

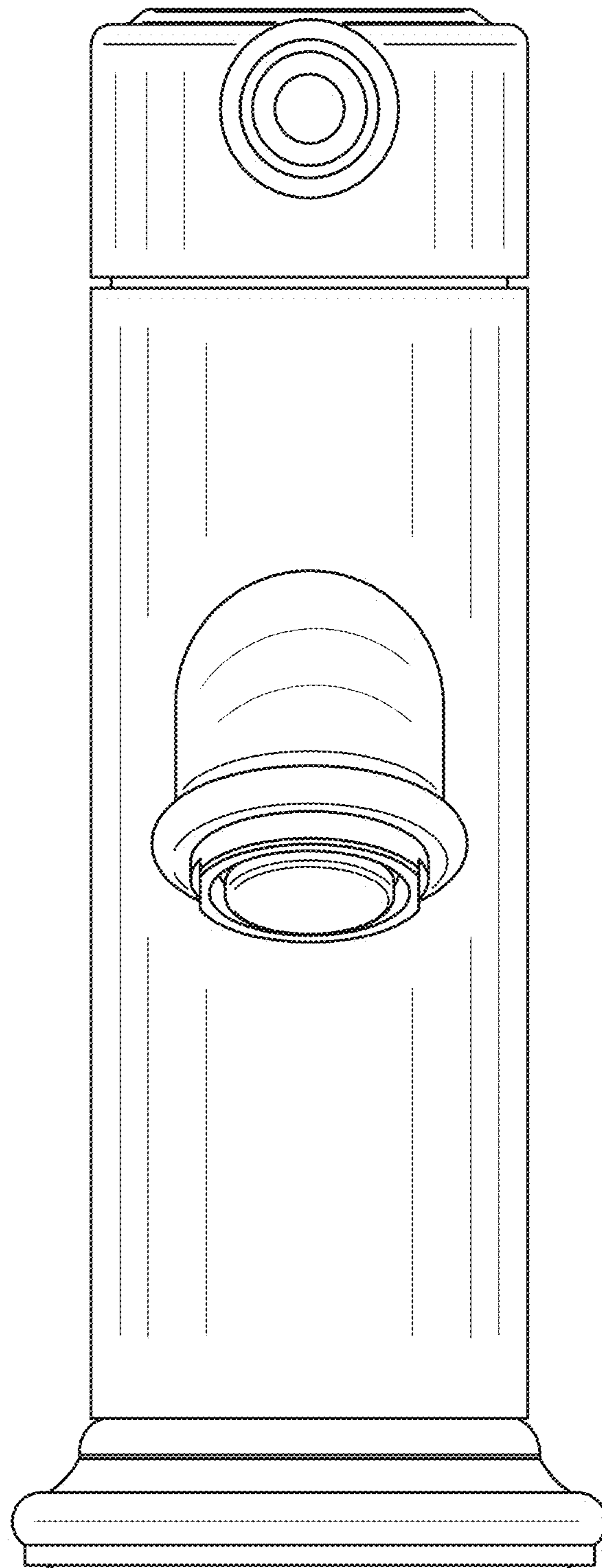


FIG. 2

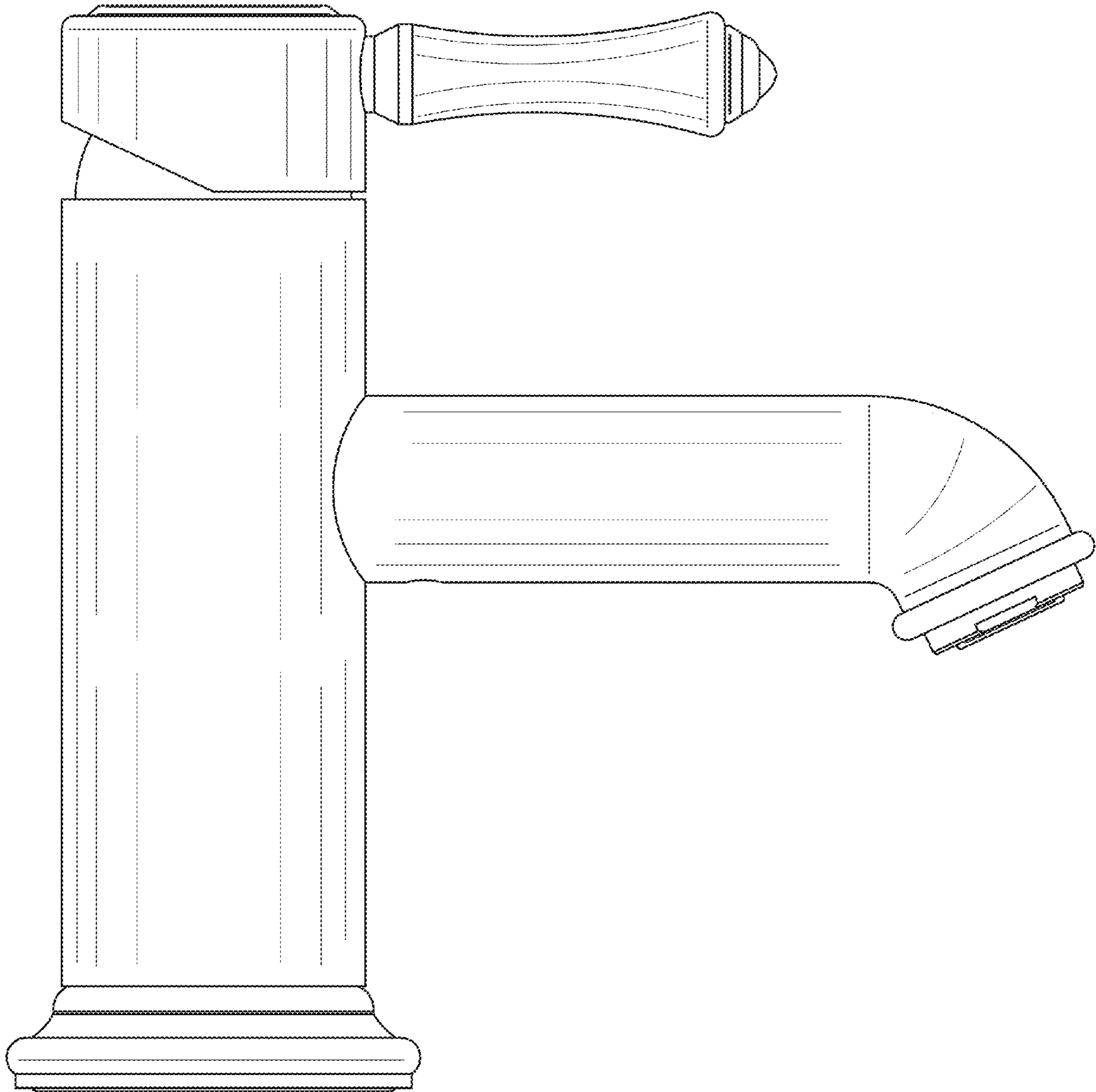


FIG. 3

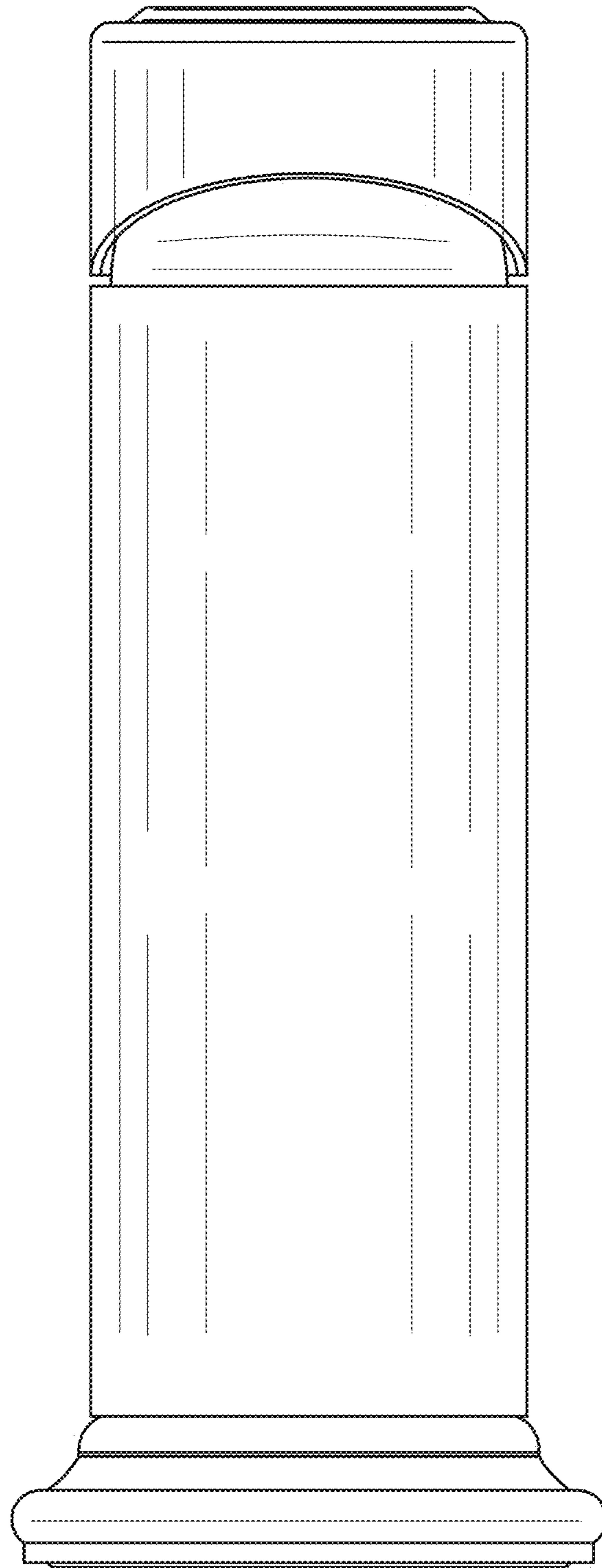


FIG. 4

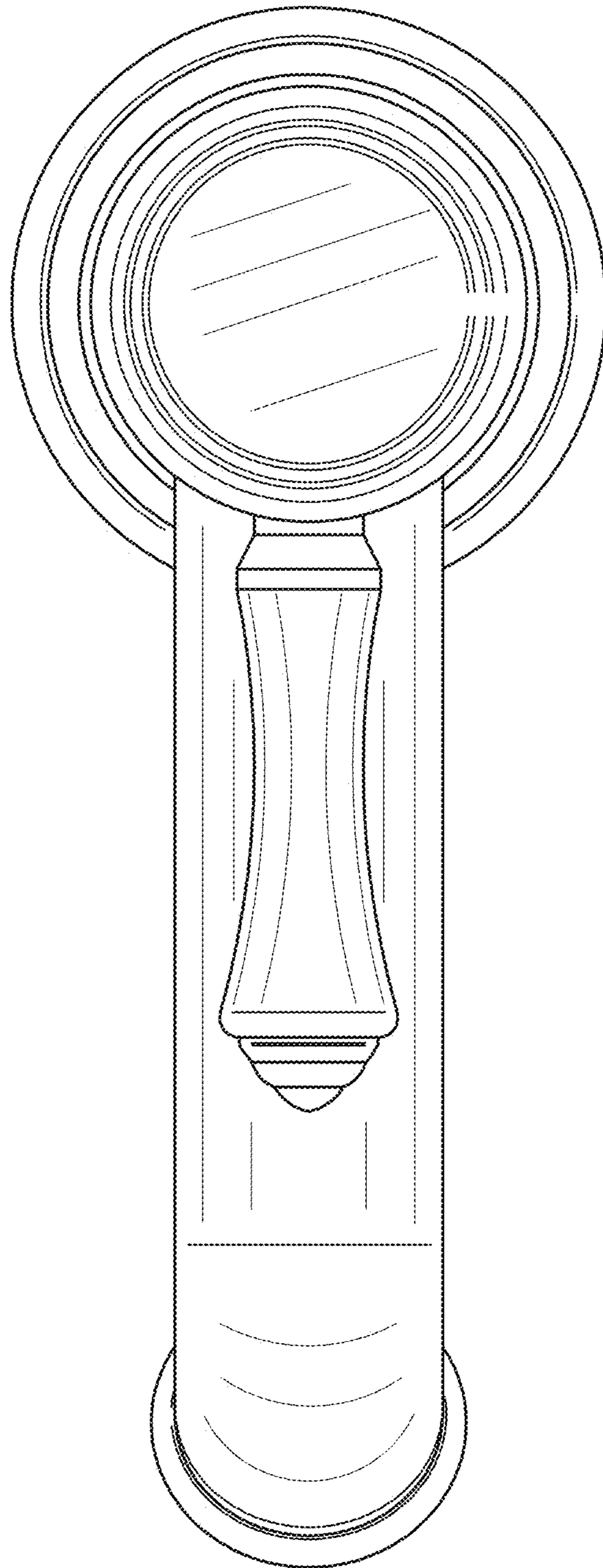


FIG. 5