



US00D961734S

(12) **United States Design Patent**
Yun et al.

(10) **Patent No.:** **US D961,734 S**
(45) **Date of Patent:** **** Aug. 23, 2022**

- (54) **FAUCET FOR WATER PURIFIER**
- (71) Applicant: **Samsung Electronics Co., Ltd.**,
Suwon-si (KR)
- (72) Inventors: **Deok-Sang Yun**, Suwon-si (KR);
Hwan-Woong Choi, Suwon-si (KR);
Hyun-Soo Kim, Suwon-si (KR);
Bo-Kyeong Lee, Suwon-si (KR)
- (73) Assignee: **Samsung Electronics Co., Ltd.**,
Suwon-si (KR)
- (**) Term: **15 Years**
- (21) Appl. No.: **29/741,701**
- (22) Filed: **Jul. 15, 2020**
- (30) **Foreign Application Priority Data**
May 20, 2020 (KR) 30-2020-0022164
- (51) **LOC (13) Cl.** **23-01**
- (52) **U.S. Cl.**
USPC **D23/238**
- (58) **Field of Classification Search**
USPC D23/257, 249, 254, 259, 255, 233, 234,
D23/235, 236, 237, 238, 240, 241, 242,
D23/243, 244, 245, 246, 247, 248, 250,
D23/251, 252, 253, 256
CPC E03C 1/01; E03C 1/0409; E03C 1/025;
E03C 1/0408; E03C 1/04; E03C 1/0401;
E03C 1/0402; E03C 1/0405; E03C
1/0412; Y10T 137/5339; Y10T 137/6014;
Y10T 137/6021
See application file for complete search history.

- D694,859 S * 12/2013 Lammel D23/238
- D787,637 S * 5/2017 Hong D23/238
- D796,636 S * 9/2017 Downey D23/238
- D799,642 S * 10/2017 Sieger D23/238
- D828,512 S * 9/2018 Liu D23/238
- D830,515 S * 10/2018 L'Henaff D23/238
- D857,168 S * 8/2019 Soulier D23/238

(Continued)

FOREIGN PATENT DOCUMENTS

- CN 201230440266 * 9/2012
- CN 2019301763136 11/2019

(Continued)

OTHER PUBLICATIONS

Amazon, GOWE Sensor Faucet Automatic Sensor Digital Display, posted Mar. 27, 2016, [online], [visited Dec. 16, 2021]. Internet, <URL: <https://www.amazon.co.uk/Faucets-Torneira-Automatic-Digital-Bathroom/dp/B01DHNHD88/ref>> (Year: 2016).*

Primary Examiner — Samantha Wood

(74) *Attorney, Agent, or Firm* — NSIP Law

(57) **CLAIM**

We claim the ornamental design for a faucet for water purifier, as shown and described.

DESCRIPTION

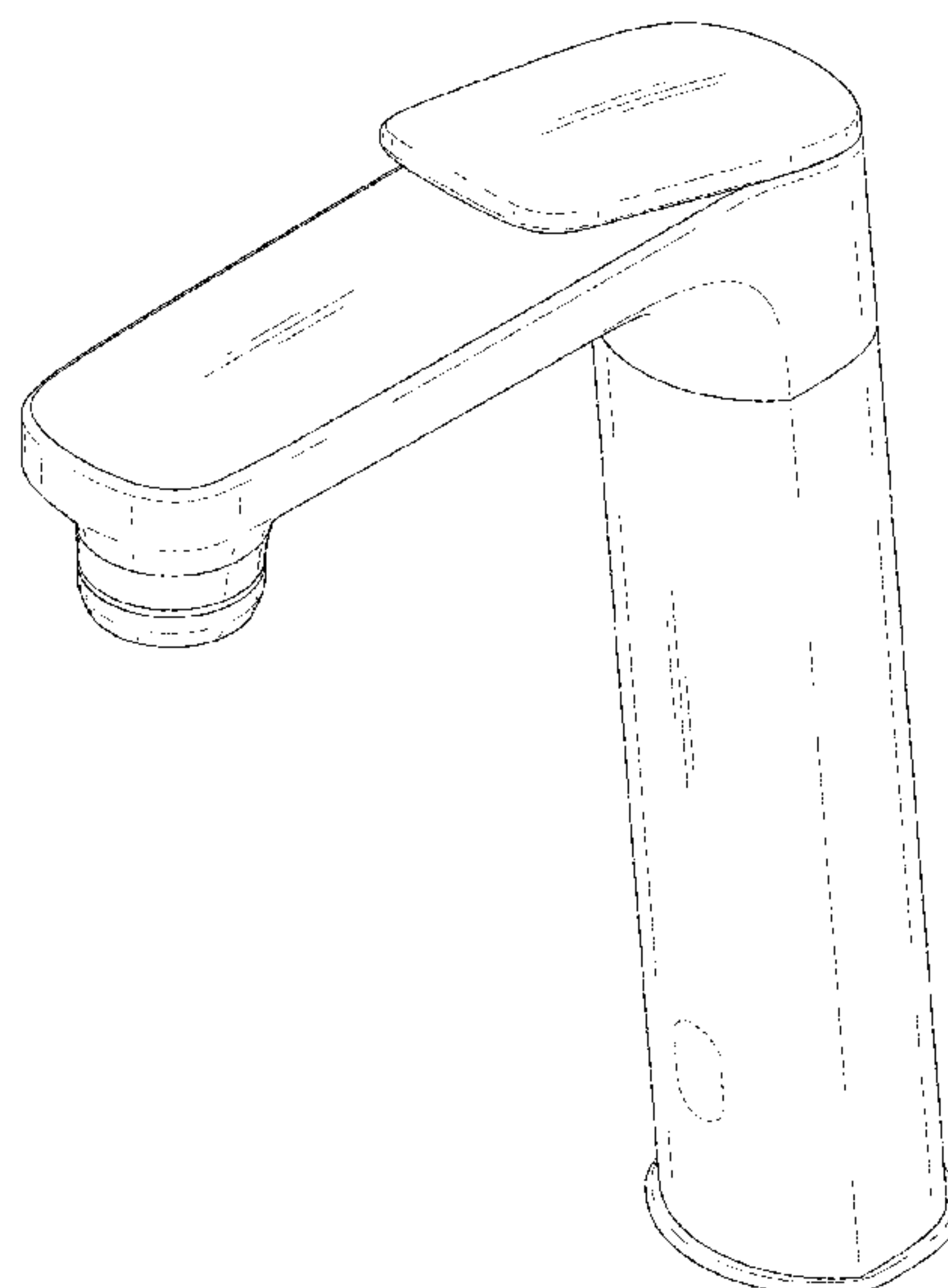
FIG. 1 is a front perspective view of a faucet for water purifier showing our new design;
FIG. 2 is a front view thereof;
FIG. 3 is a rear view thereof;
FIG. 4 is a left-side view thereof;
FIG. 5 is a right-side view thereof;
FIG. 6 is a top view thereof; and,
FIG. 7 is a bottom view thereof.

The broken lines in the figures depict portions of the faucet for water purifier which form no part of the claimed design.

1 Claim, 7 Drawing Sheets

(56) **References Cited**
U.S. PATENT DOCUMENTS

- D661,375 S * 6/2012 Citterio D23/252
- D662,181 S * 6/2012 Thun D23/238



(56)

References Cited

U.S. PATENT DOCUMENTS

D866,714 S * 11/2019 Yu D23/238
D868,213 S * 11/2019 Hoogendoorn D23/238
D903,823 S * 12/2020 Potter D23/238

FOREIGN PATENT DOCUMENTS

EM 000584560-0002 9/2006
EM 002158428-0004 1/2013
EM 005617016-0002 8/2018
WO DM/202 134 5/2019

* cited by examiner

FIG. 1

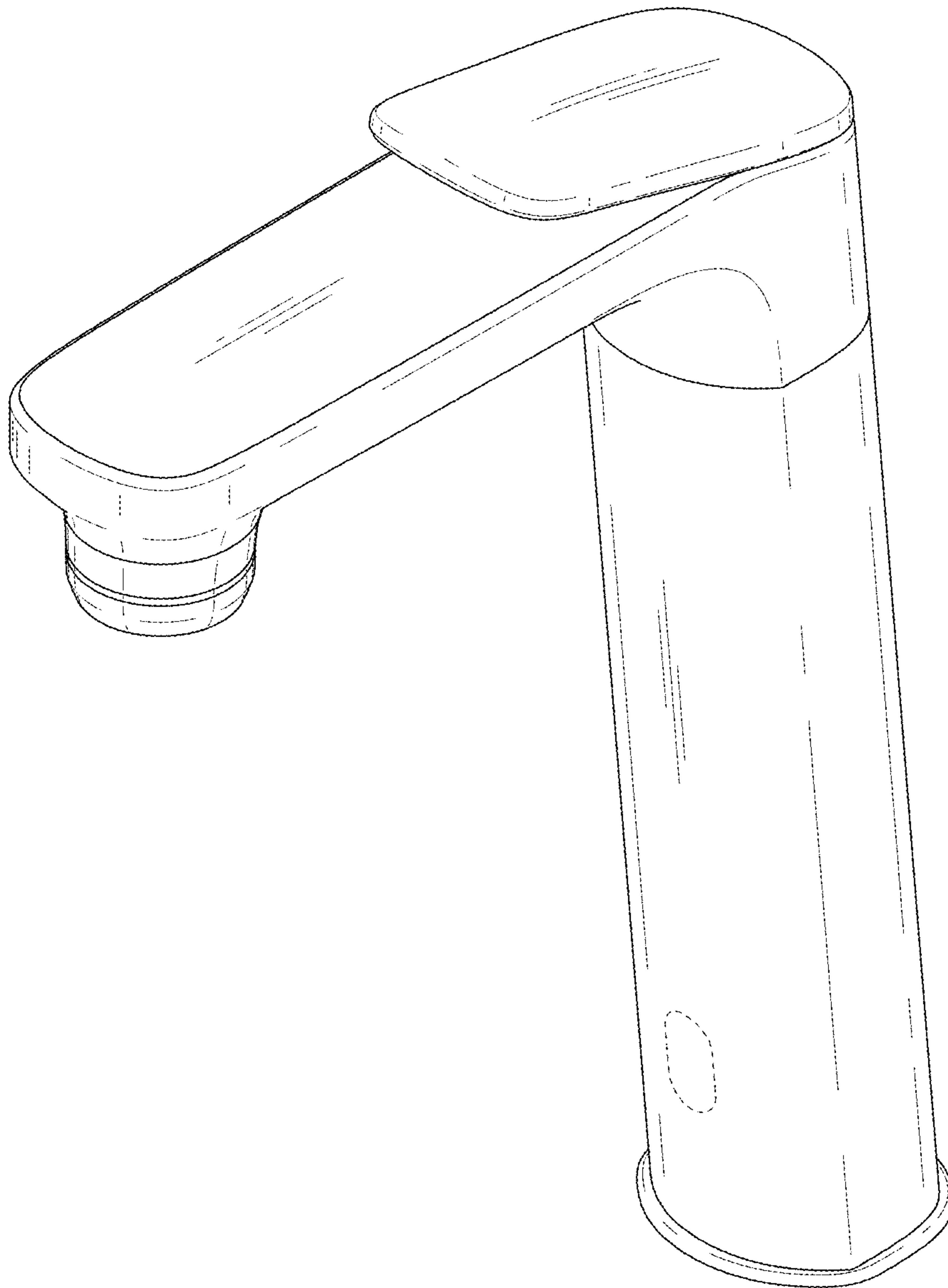


FIG. 2

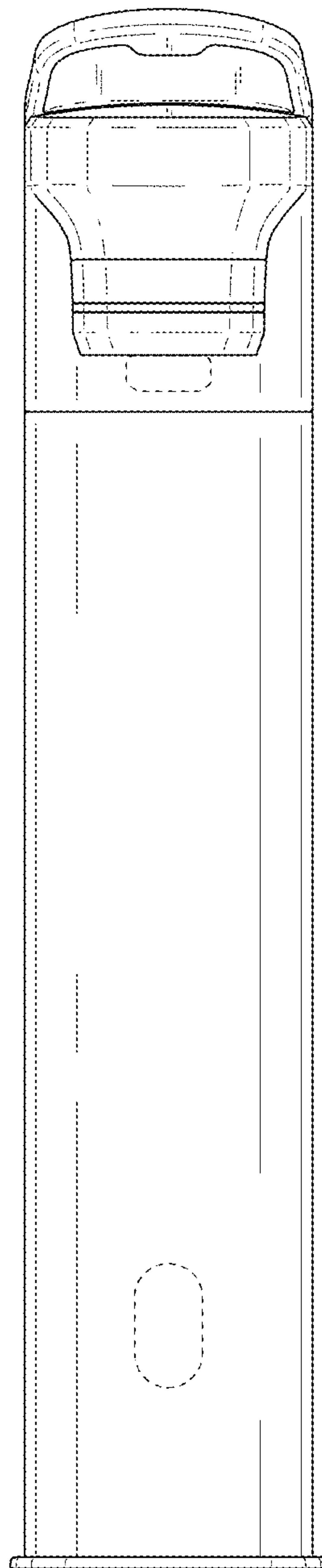


FIG. 3

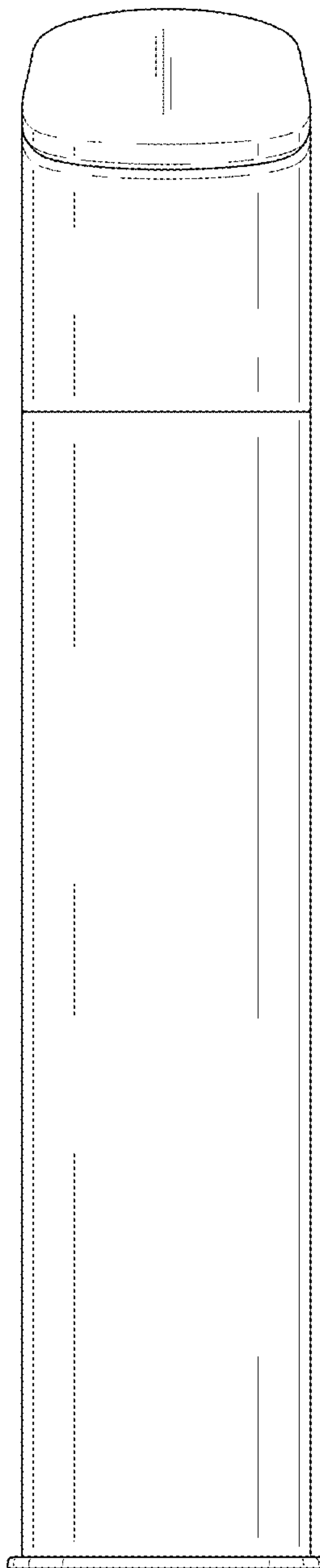


FIG. 4

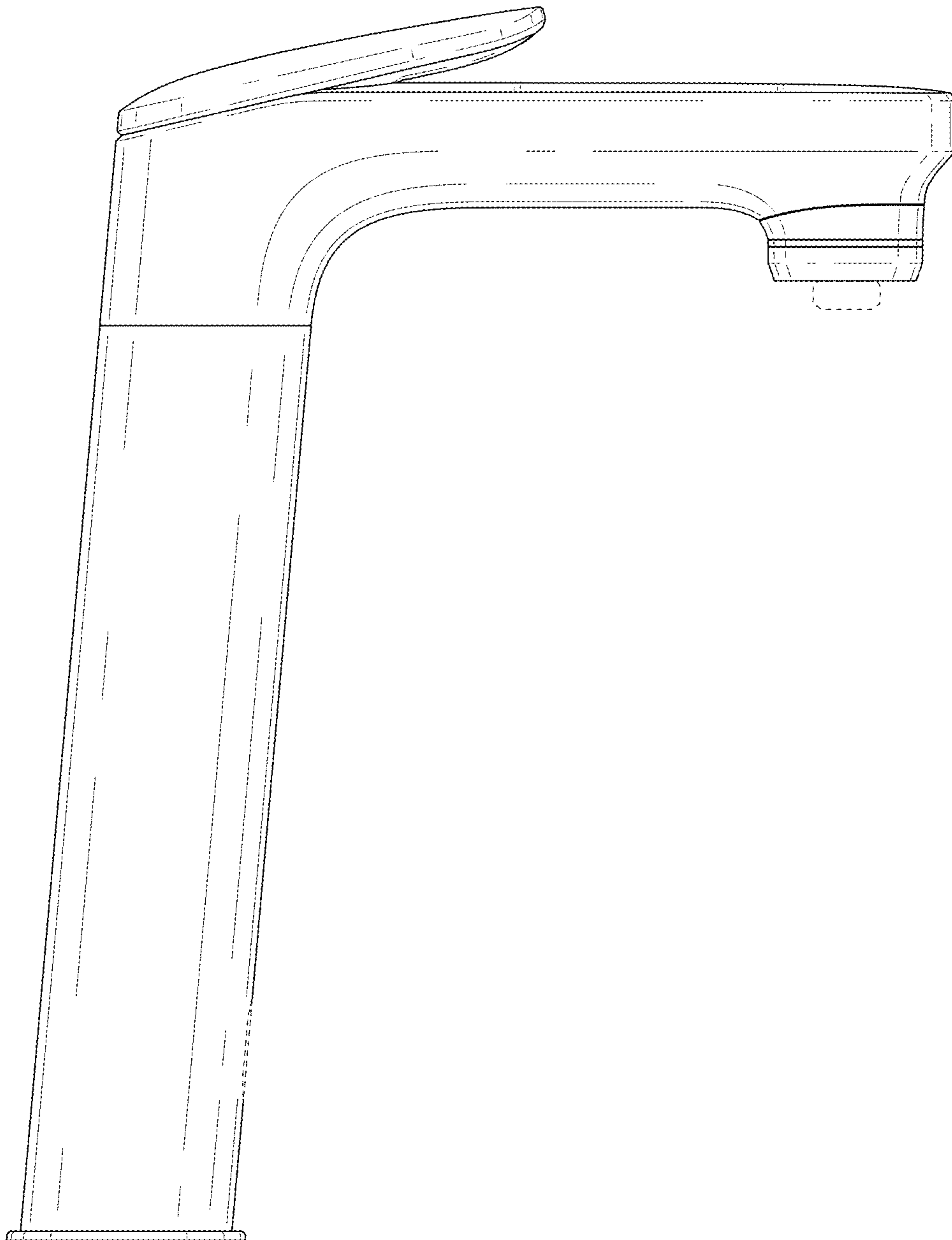


FIG. 5

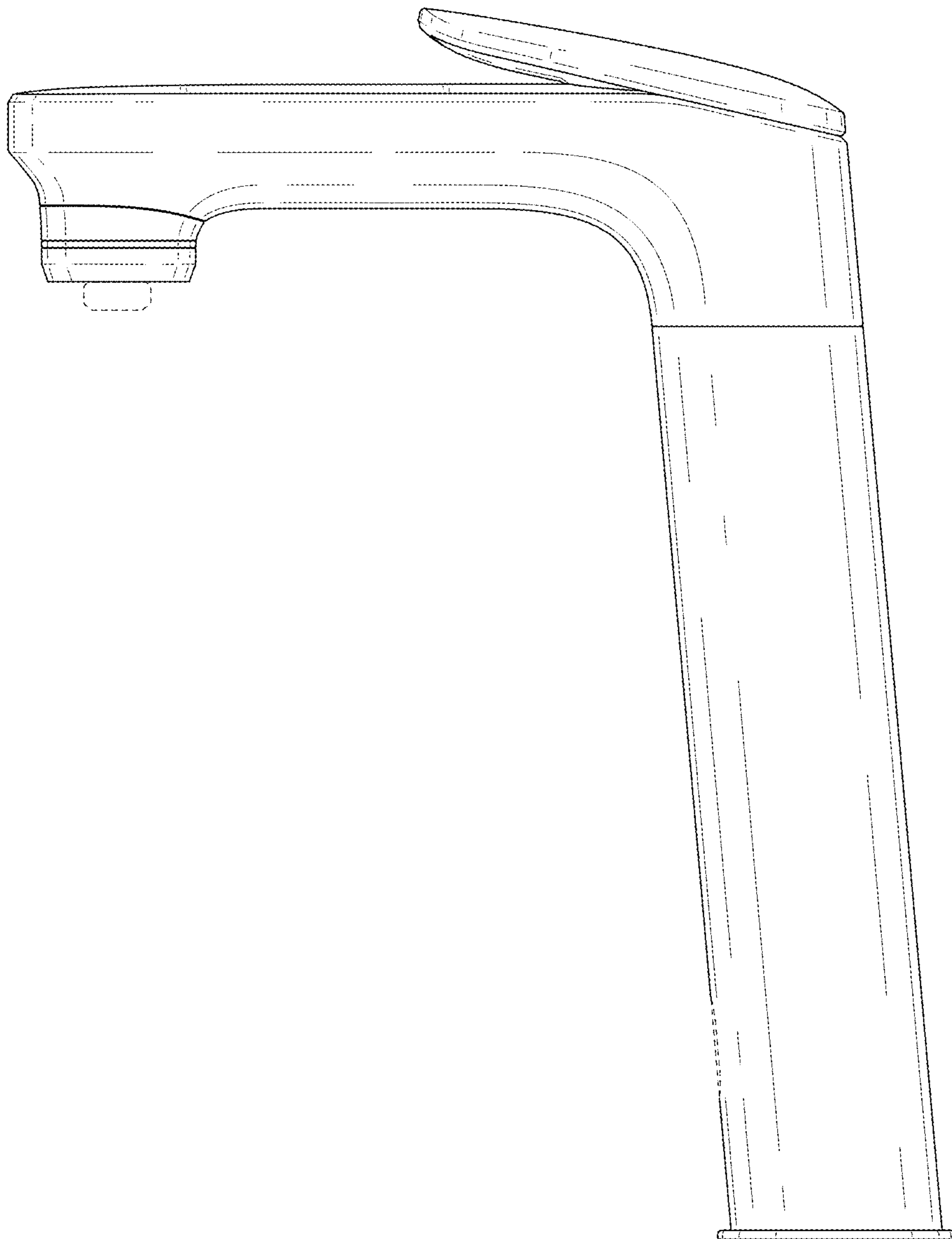


FIG. 6

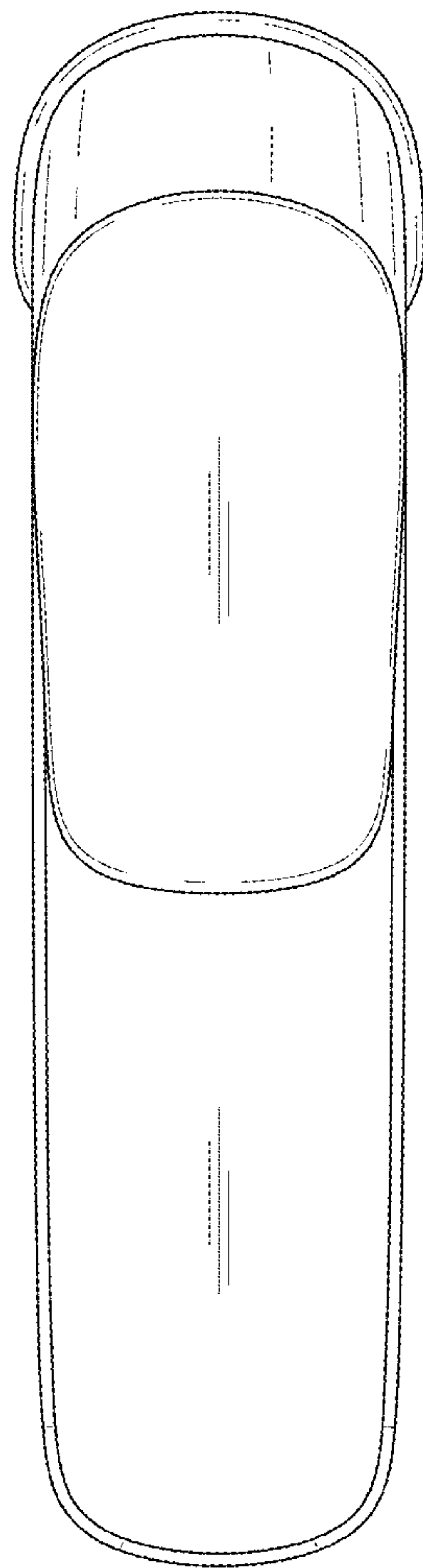


FIG. 7

