



US00D961732S

(12) **United States Design Patent**  
**Suzuki**

(10) **Patent No.:** **US D961,732 S**

(45) **Date of Patent:** **\*\* Aug. 23, 2022**

(54) **ELECTROMAGNETIC VALVE**

(71) Applicant: **SMC CORPORATION**, Tokyo (JP)

(72) Inventor: **Hironobu Suzuki**, Tsukubamirai (JP)

(73) Assignee: **SMC CORPORATION**, Tokyo (JP)

(\*\*) Term: **15 Years**

(21) Appl. No.: **29/768,934**

(22) Filed: **Feb. 2, 2021**

(30) **Foreign Application Priority Data**

Sep. 7, 2020 (JP) ..... 2020-019019 D

(51) **LOC (13) Cl.** ..... **23-01**

(52) **U.S. Cl.**  
USPC ..... **D23/233**

(58) **Field of Classification Search**  
USPC ..... D23/233, 235, 249  
CPC .... F16K 11/24; F16K 27/0263; F16K 27/029;  
F16K 27/048; F16K 31/0675; F16K  
31/082; F02M 63/0017; F02M 51/061  
See application file for complete search history.

(56) **References Cited**

**U.S. PATENT DOCUMENTS**

|              |        |                 |         |
|--------------|--------|-----------------|---------|
| D653,308 S * | 1/2012 | Senba .....     | D23/233 |
| D909,536 S * | 2/2021 | Yoshimura ..... | D23/233 |
| D909,537 S * | 2/2021 | Yoshimura ..... | D23/233 |
| D909,538 S * | 2/2021 | Yoshimura ..... | D23/233 |
| D910,147 S * | 2/2021 | Yoshimura ..... | D23/233 |

|                   |         |                 |                        |
|-------------------|---------|-----------------|------------------------|
| D910,148 S *      | 2/2021  | Yoshimura ..... | D23/233                |
| D911,491 S *      | 2/2021  | Sumiyoshi ..... | D23/233                |
| D923,144 S *      | 6/2021  | Sumiyoshi ..... | D23/233                |
| D934,995 S *      | 11/2021 | Mita .....      | D23/233                |
| D935,560 S *      | 11/2021 | Mita .....      | D23/233                |
| D946,712 S *      | 3/2022  | Yoshimura ..... | D23/233                |
| 2012/0298237 A1 * | 11/2012 | Nalgirkar ..... | F16K 27/041<br>251/118 |
| 2018/0128385 A1 * | 5/2018  | Itoh .....      | F16K 31/426            |
| 2020/0309279 A1 * | 10/2020 | Miyazoe .....   | F16K 27/003            |
| 2020/0318753 A1 * | 10/2020 | Ito .....       | F16K 3/26              |
| 2020/0326012 A1 * | 10/2020 | Nak .....       | F16K 27/029            |

\* cited by examiner

*Primary Examiner* — Selina Sikder

(74) *Attorney, Agent, or Firm* — Oblon, McClelland,  
Maier & Neustadt, L.L.P.

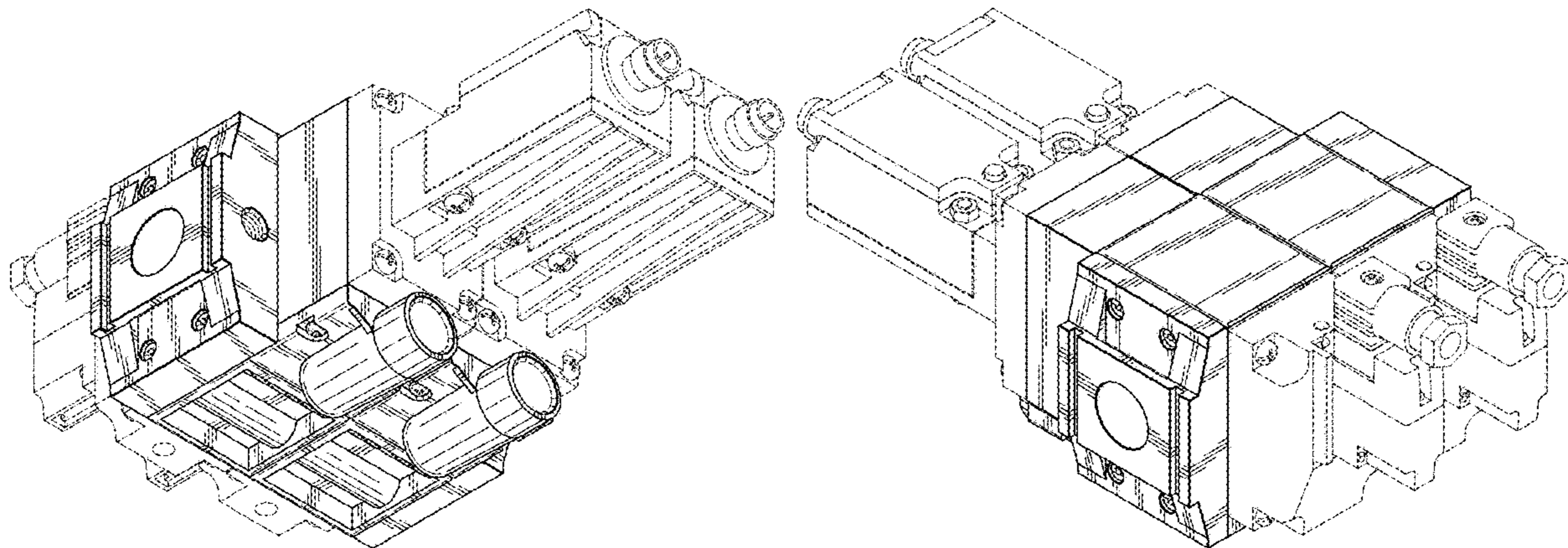
(57) **CLAIM**

The ornamental design for an electromagnetic valve, as shown and described.

**DESCRIPTION**

FIG. 1 is a front, bottom, and right side perspective view of an electromagnetic valve showing the new design. FIG. 2 is a rear, top, and left side perspective view thereof. FIG. 3 is a front elevational view thereof. FIG. 4 is a rear elevational view thereof. FIG. 5 is a top plan view thereof. FIG. 6 is a bottom plan view thereof. FIG. 7 is a left side elevational view thereof; and, FIG. 8 is a right side elevational view thereof. The broken lines depict portions of the electromagnetic valve that form no part of the claimed design.

**1 Claim, 8 Drawing Sheets**



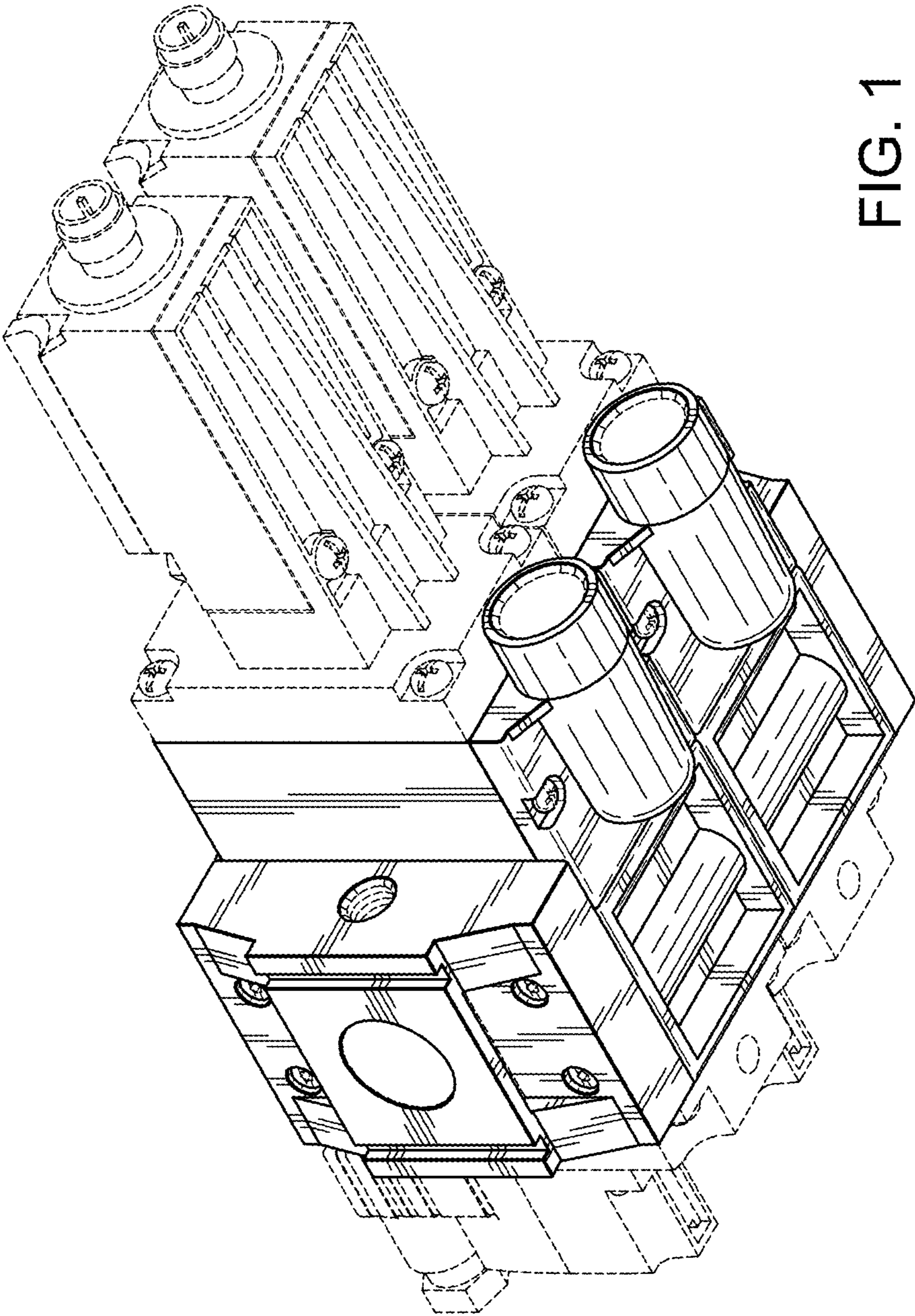


FIG. 1



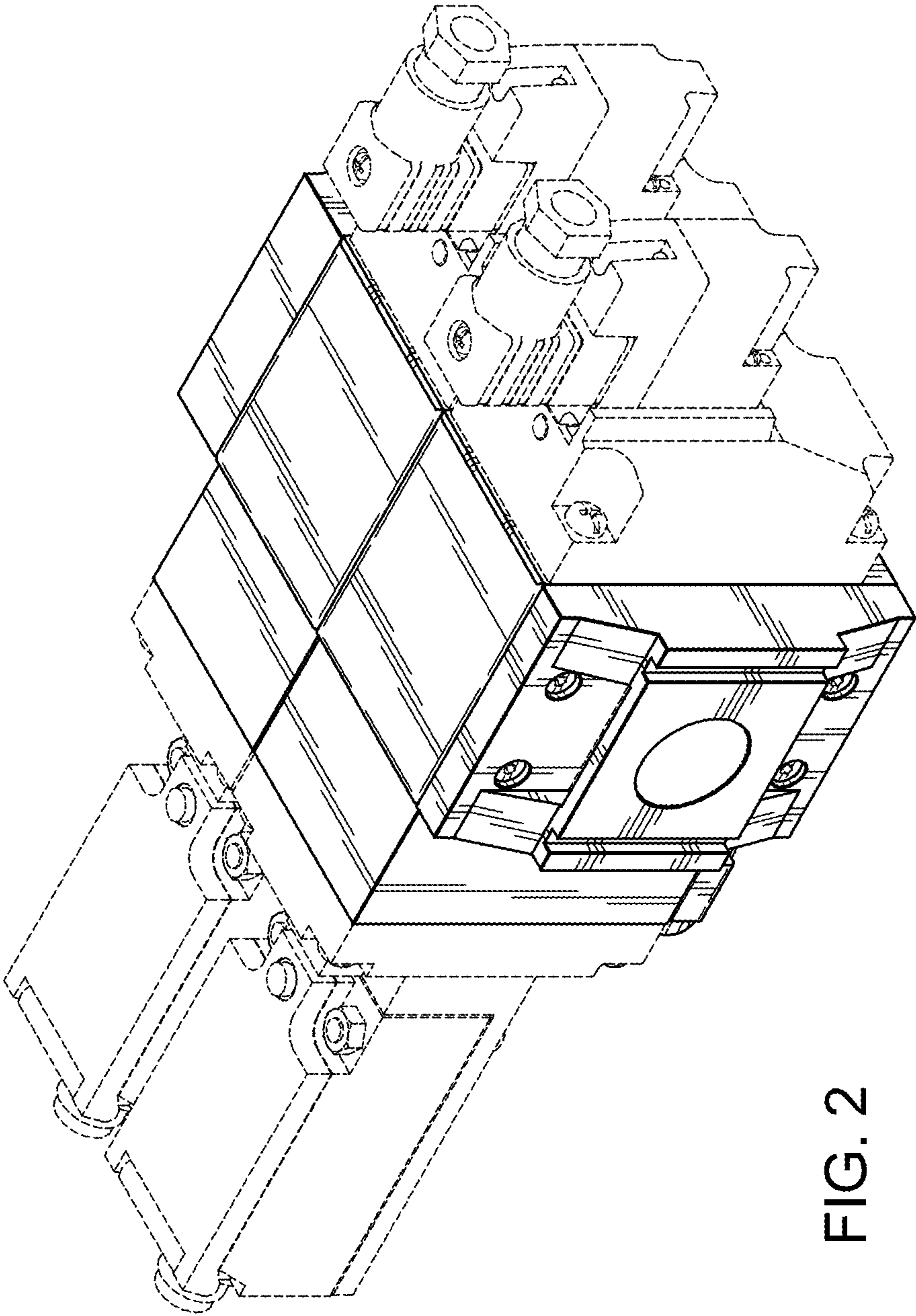


FIG. 2

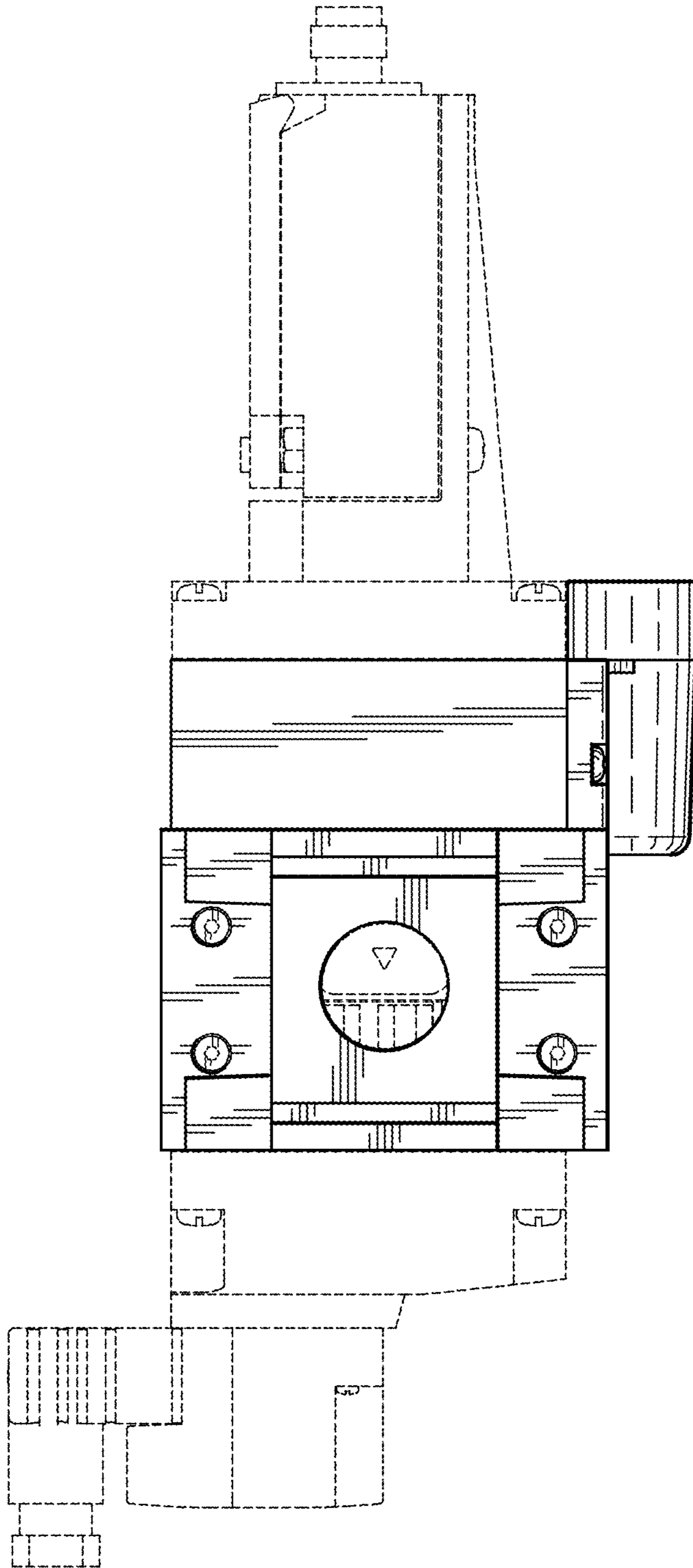


FIG. 3

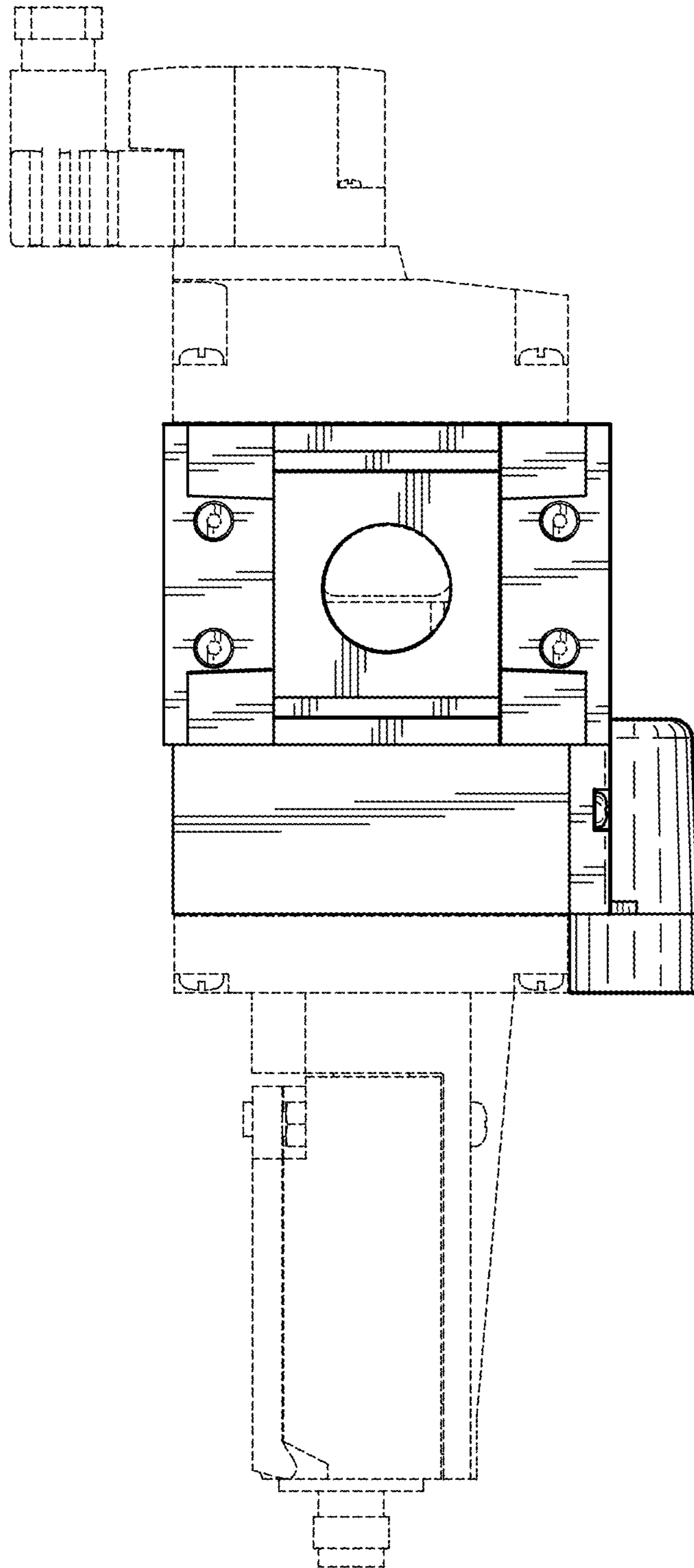


FIG. 4

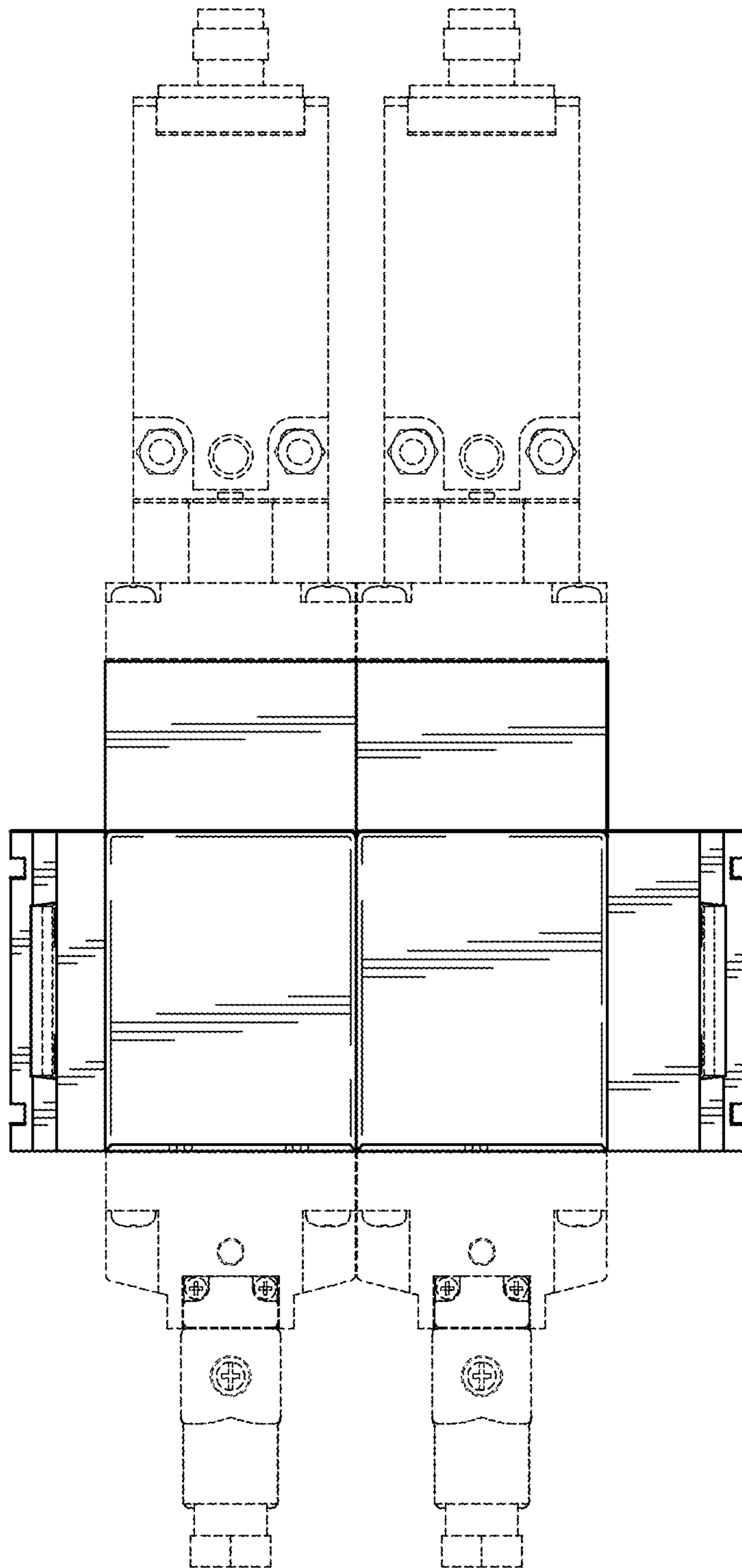


FIG. 5

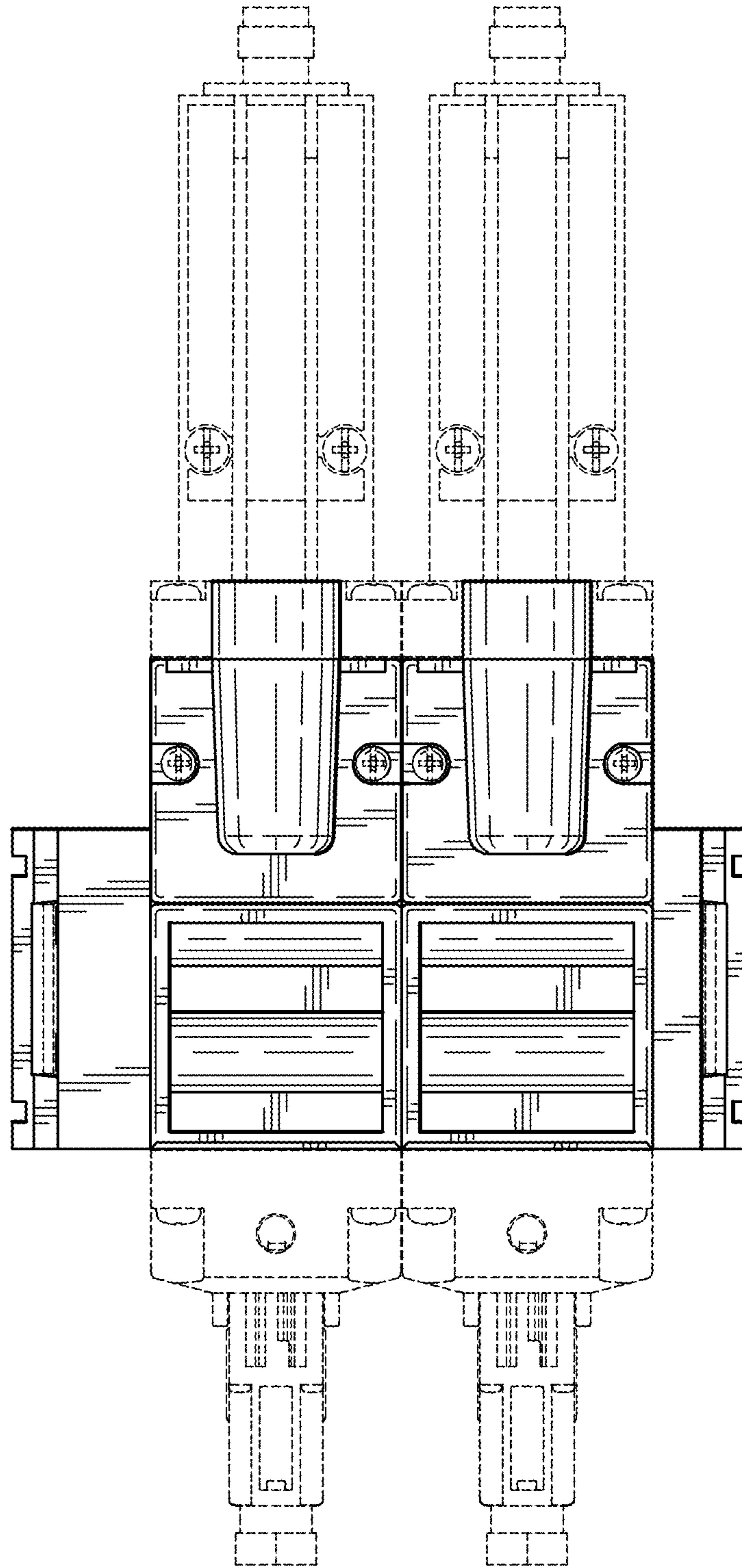


FIG. 6

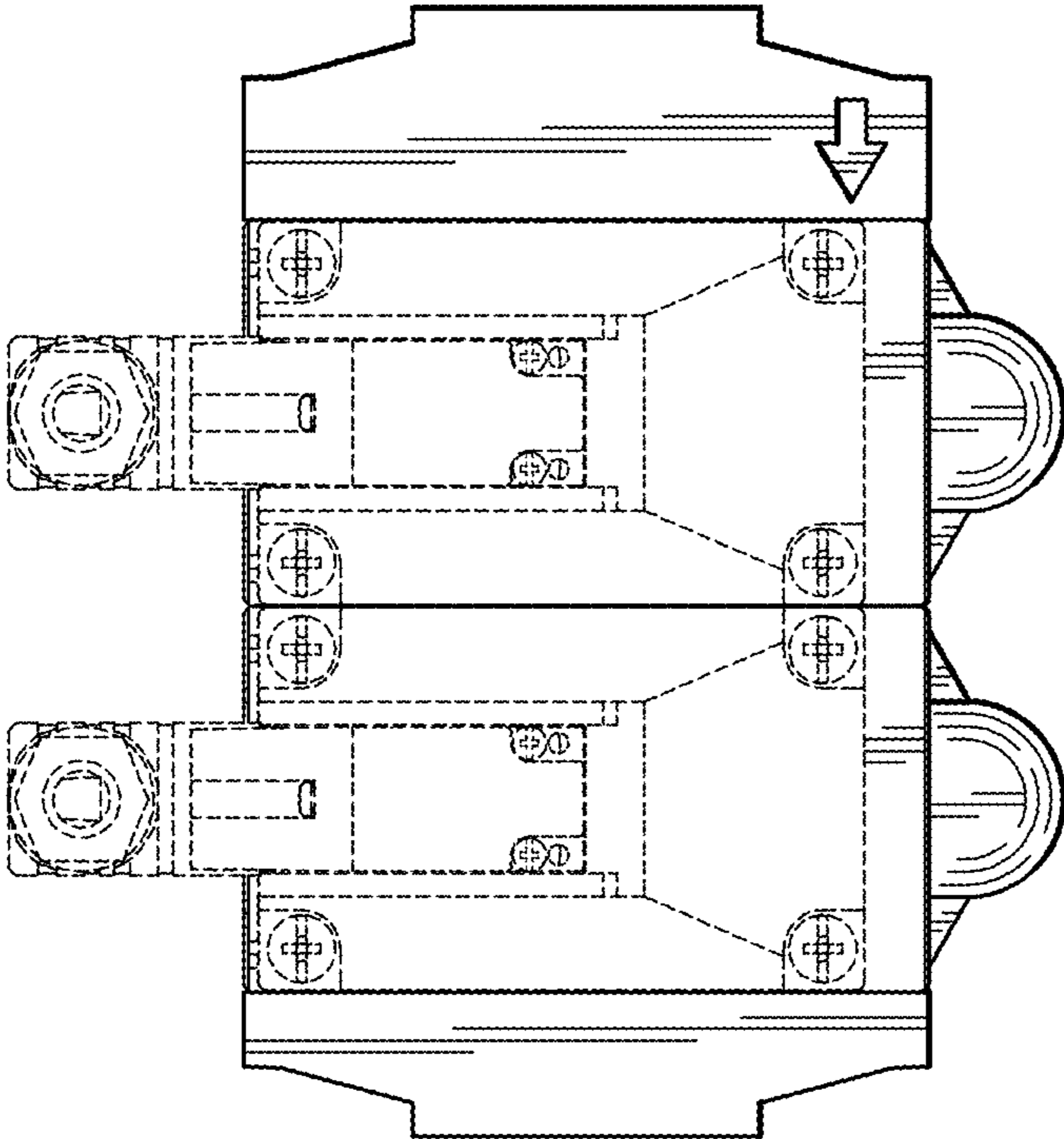


FIG. 7



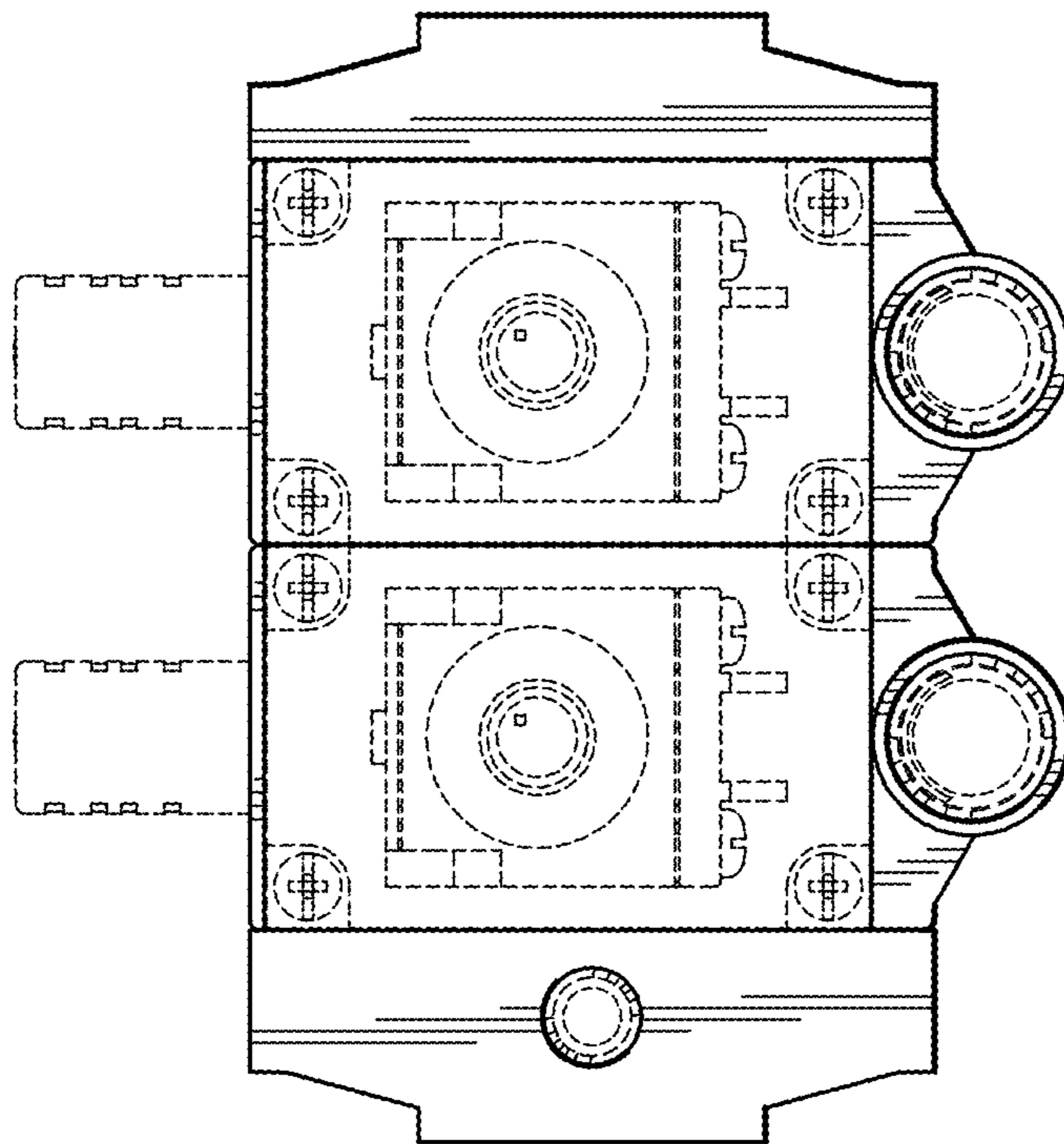


FIG. 8