



US00D961731S

(12) **United States Design Patent**
Hara

(10) **Patent No.:** **US D961,731 S**

(45) **Date of Patent:** **** Aug. 23, 2022**

(54) **ELECTROMAGNETIC VALVE**

(71) Applicant: **SMC CORPORATION**, Tokyo (JP)

(72) Inventor: **Yusuke Hara**, Tsukuba (JP)

(73) Assignee: **SMC CORPORATION**, Tokyo (JP)

(**) Term: **15 Years**

(21) Appl. No.: **29/768,928**

(22) Filed: **Feb. 2, 2021**

(30) **Foreign Application Priority Data**

Sep. 7, 2020 (JP) 2020-019020 D

(51) **LOC (13) Cl.** **23-01**

(52) **U.S. Cl.**
USPC **D23/233**

(58) **Field of Classification Search**
USPC D23/233, 235, 249
CPC F16K 11/24; F16K 27/0263; F16K 27/029;
F16K 27/048; F16K 31/0675; F16K
31/082; F02M 63/0017; F02M 51/061
See application file for complete search history.

(56) **References Cited**

U.S. PATENT DOCUMENTS

D653,308 S *	1/2012	Senba	D23/233
D909,536 S *	2/2021	Yoshimura	D23/233
D909,537 S *	2/2021	Yoshimura	D23/233
D909,538 S *	2/2021	Yoshimura	D23/233
D910,147 S *	2/2021	Yoshimura	D23/233

D910,148 S *	2/2021	Yoshimura	D23/233
D911,491 S *	2/2021	Sumiyoshi	D23/233
D923,144 S *	6/2021	Sumiyoshi	D23/233
D934,995 S *	11/2021	Mita	D23/233
D935,560 S *	11/2021	Mita	D23/233
D946,712 S *	3/2022	Yoshimura	D23/233
2012/0298237 A1 *	11/2012	Nalgirkar	F16K 27/041 251/118
2018/0128385 A1 *	5/2018	Itoh	F16K 31/426
2020/0309279 A1 *	10/2020	Miyazoe	F16K 27/003
2020/0318753 A1 *	10/2020	Ito	F16K 3/26
2020/0326012 A1 *	10/2020	Nak	F16K 27/029

* cited by examiner

Primary Examiner — Selina Sikder

(74) *Attorney, Agent, or Firm* — Oblon, McClelland,
Maier & Neustadt, L.L.P.

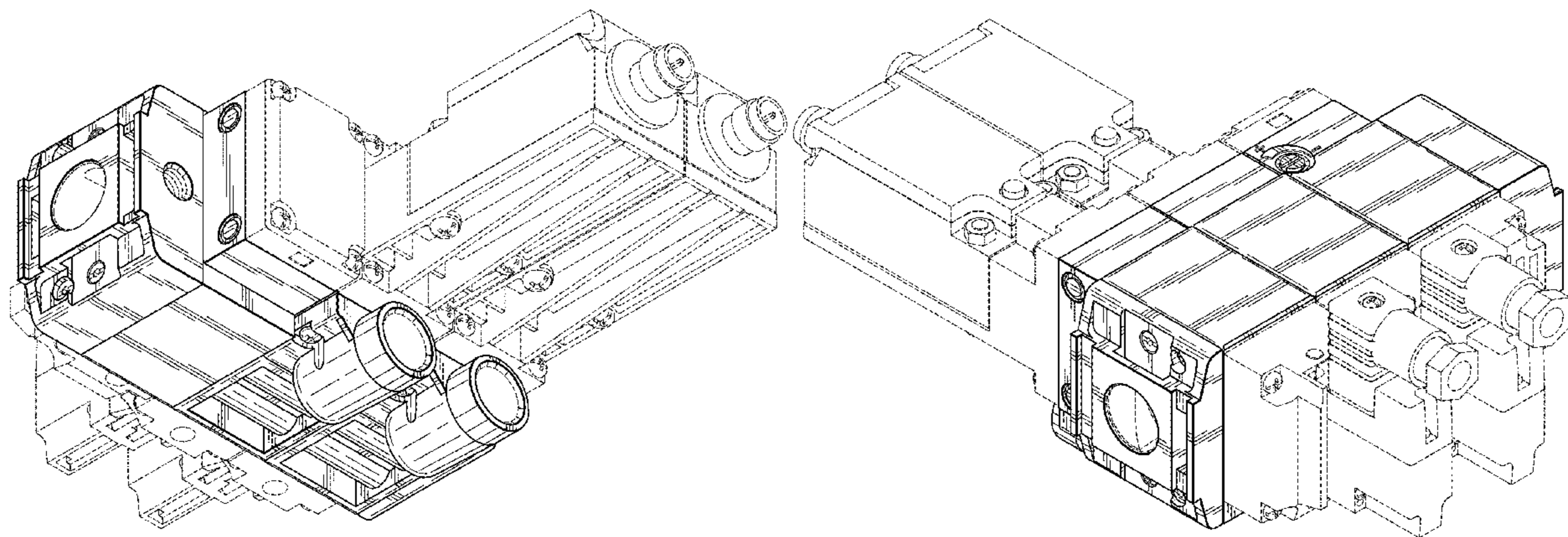
(57) **CLAIM**

The ornamental design for an electromagnetic valve, as shown and described.

DESCRIPTION

FIG. 1 is a front, bottom, and right side perspective view of an electromagnetic valve showing the new design. FIG. 2 is a rear, top, and left side perspective view thereof. FIG. 3 is a front elevational view thereof. FIG. 4 is a rear elevational view thereof. FIG. 5 is a top plan view thereof. FIG. 6 is a bottom plan view thereof. FIG. 7 is a left side elevational view thereof; and, FIG. 8 is a right side elevational view thereof. The broken lines depict portions of the electromagnetic valve that form no part of the claimed design.

1 Claim, 8 Drawing Sheets



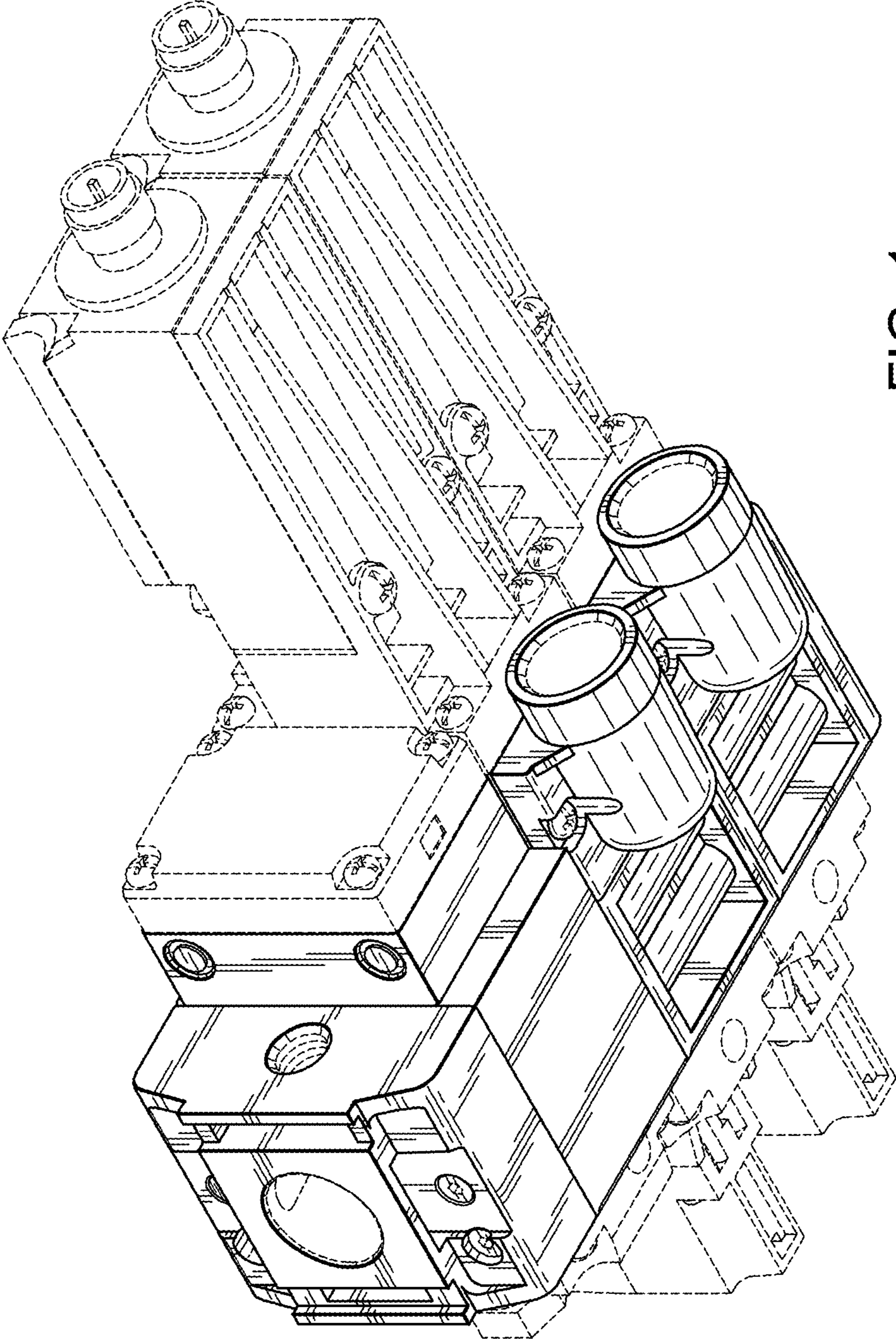


FIG. 1

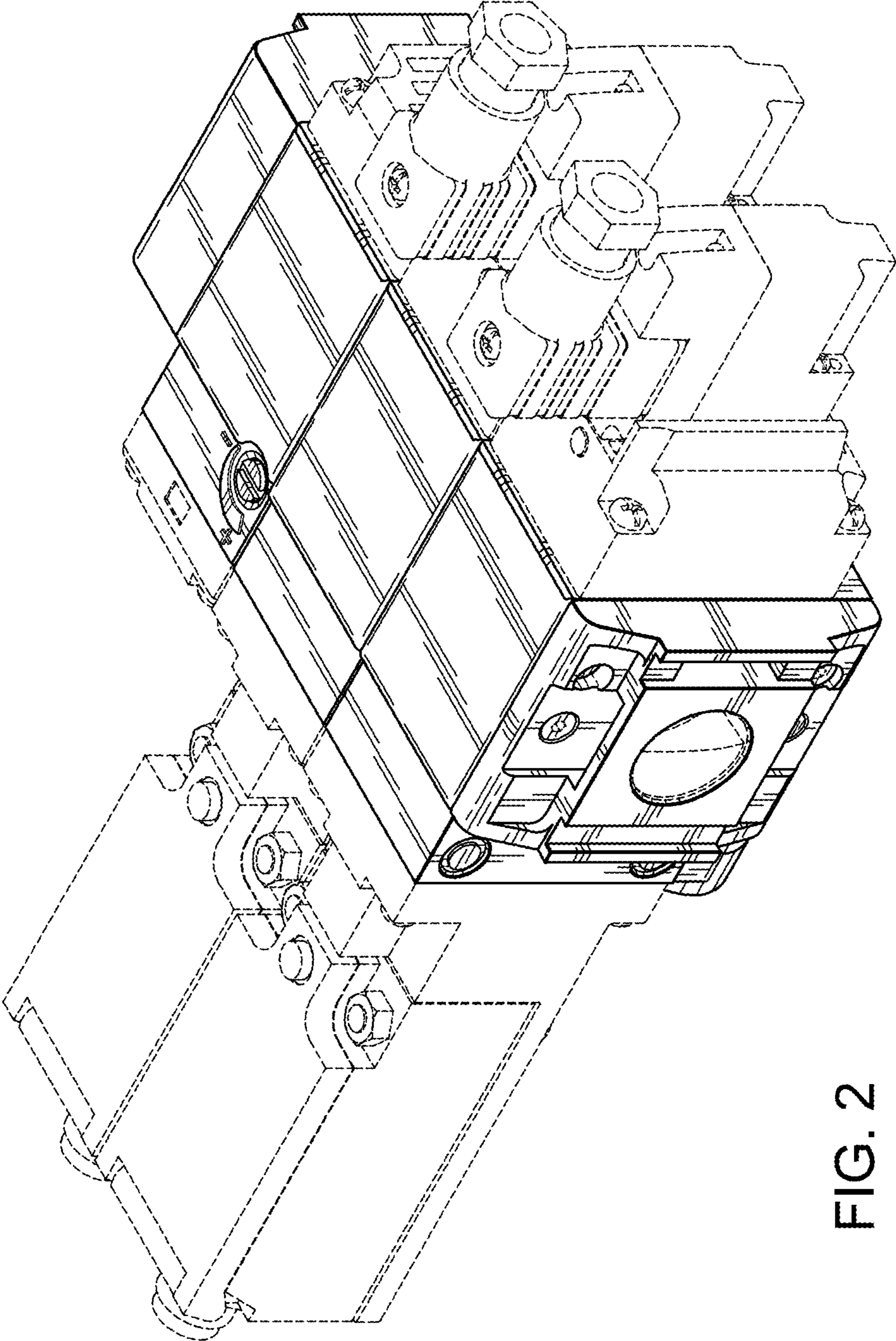


FIG. 2

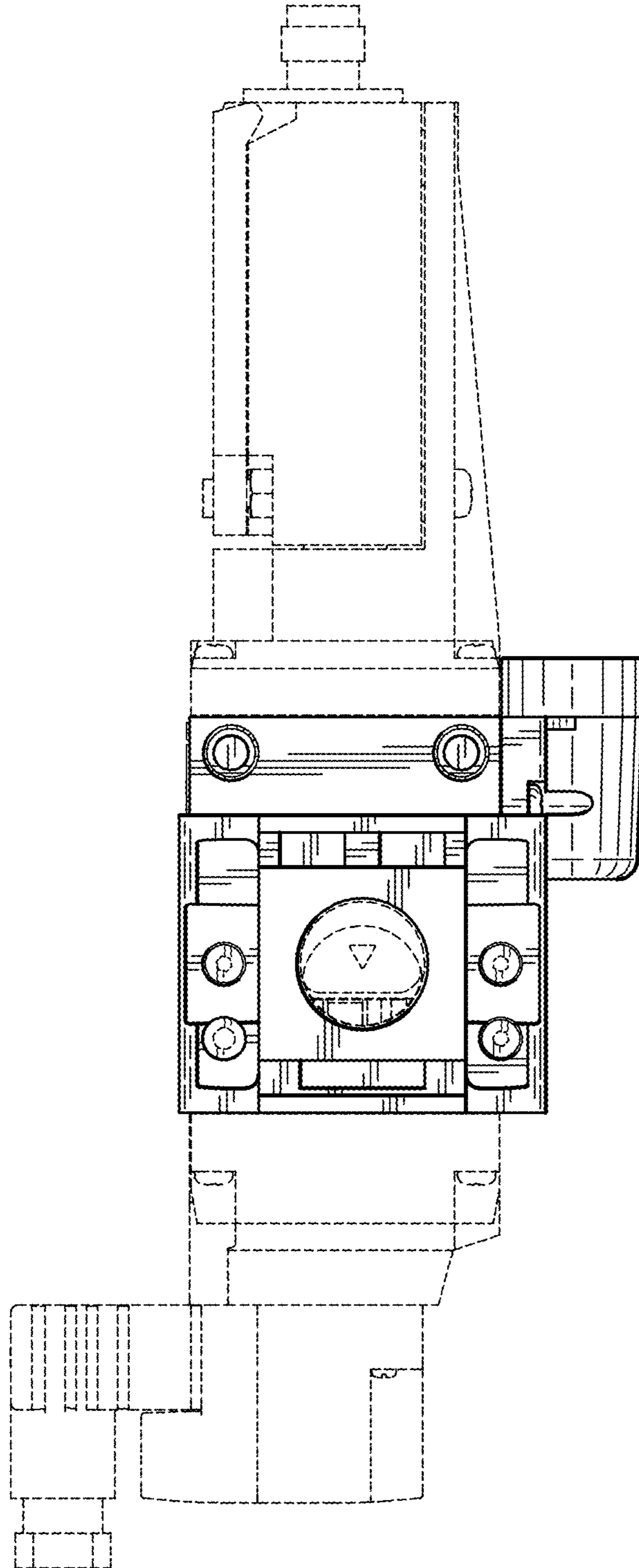


FIG. 3

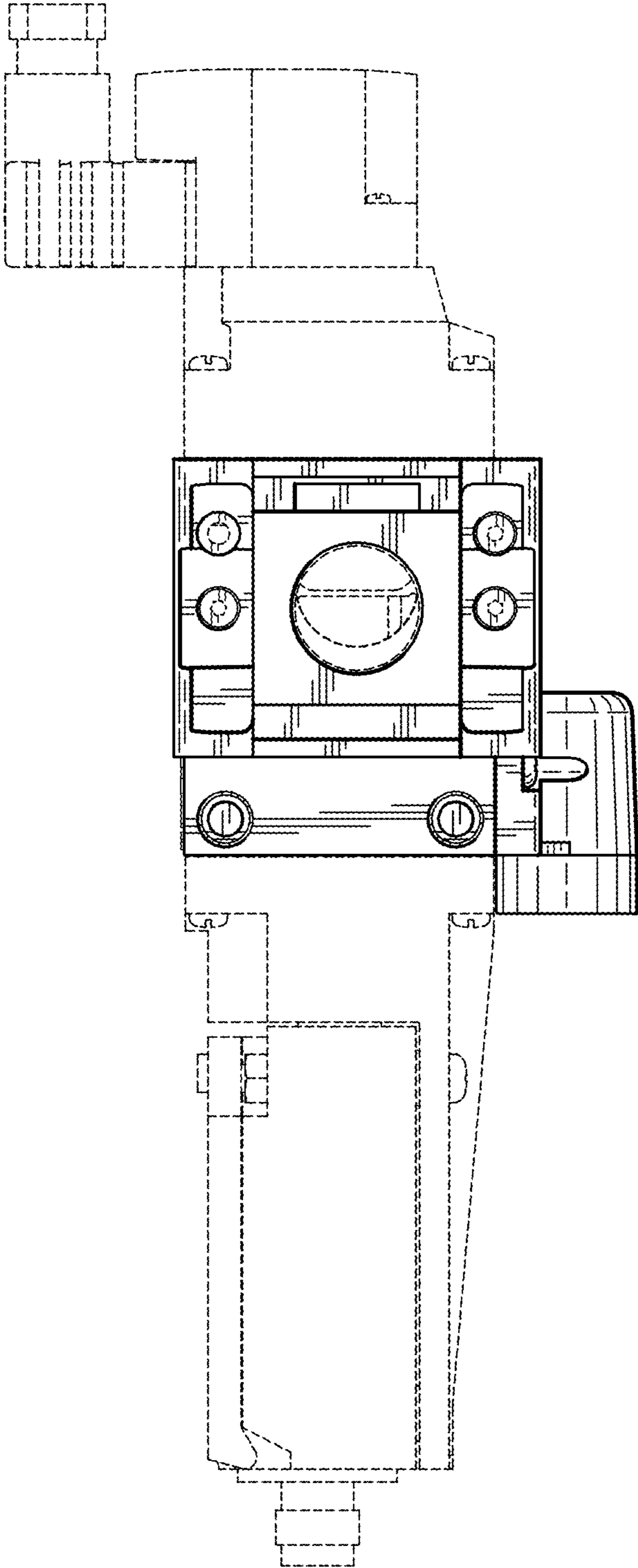


FIG. 4

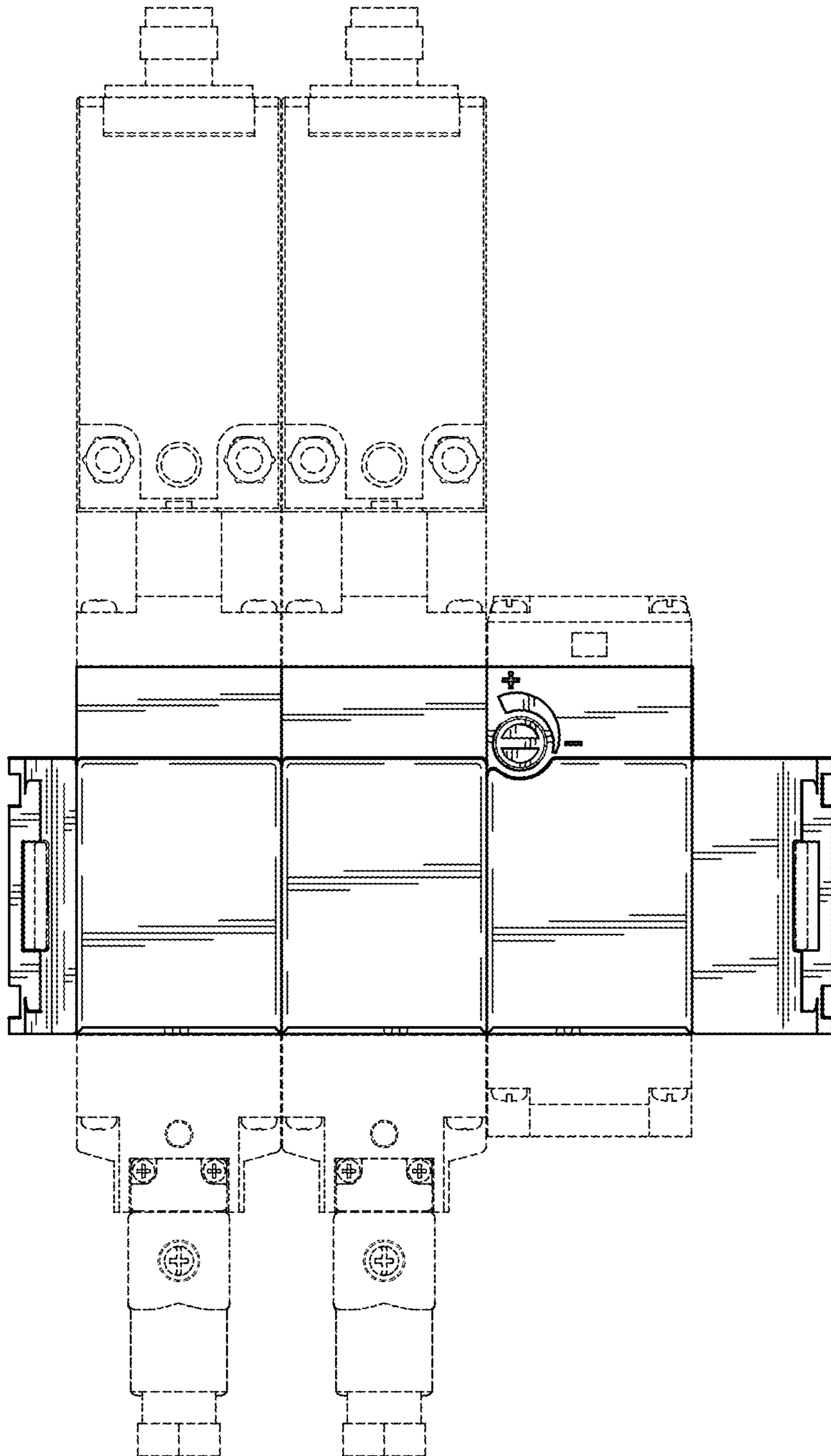


FIG. 5

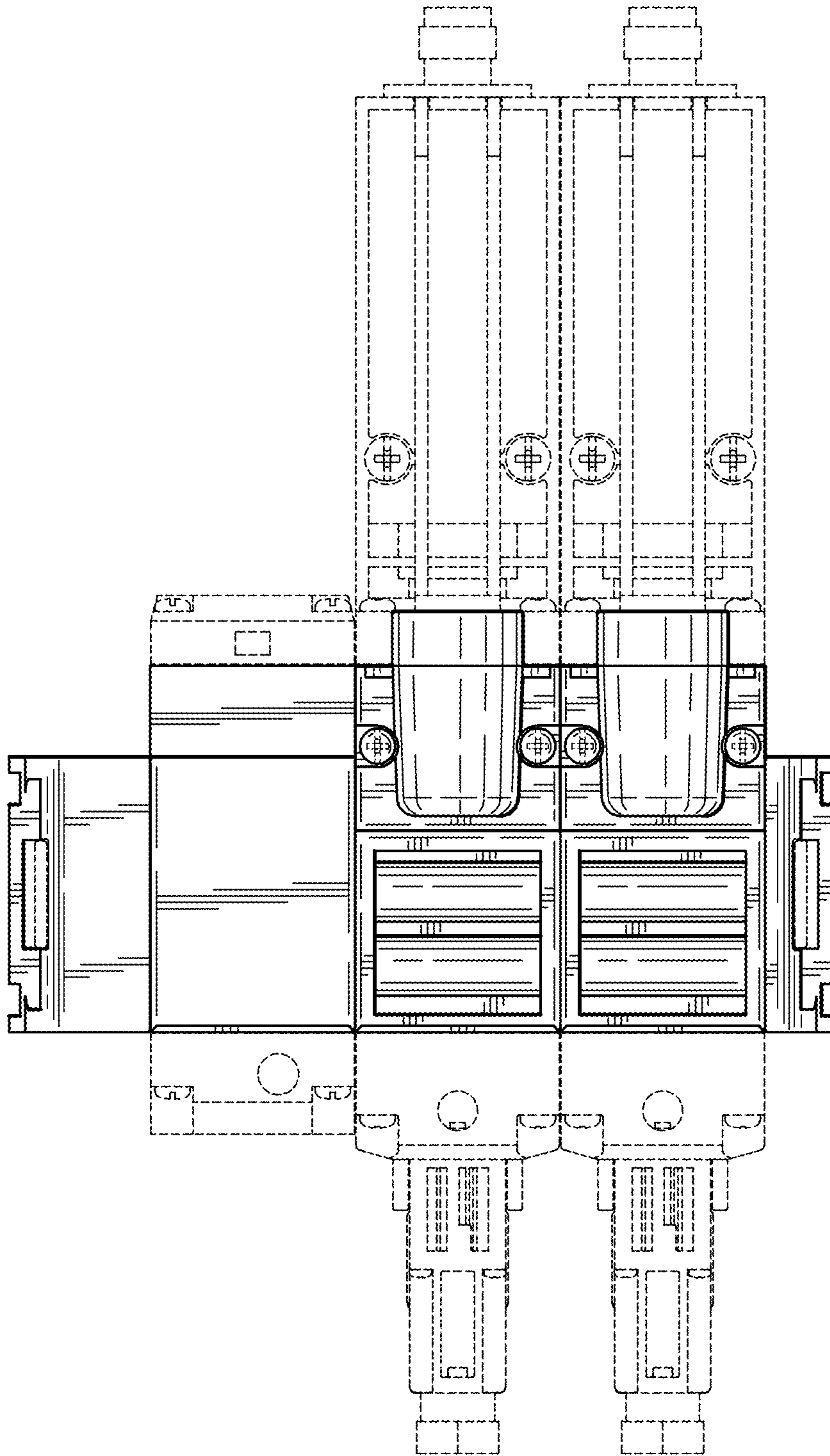


FIG. 6

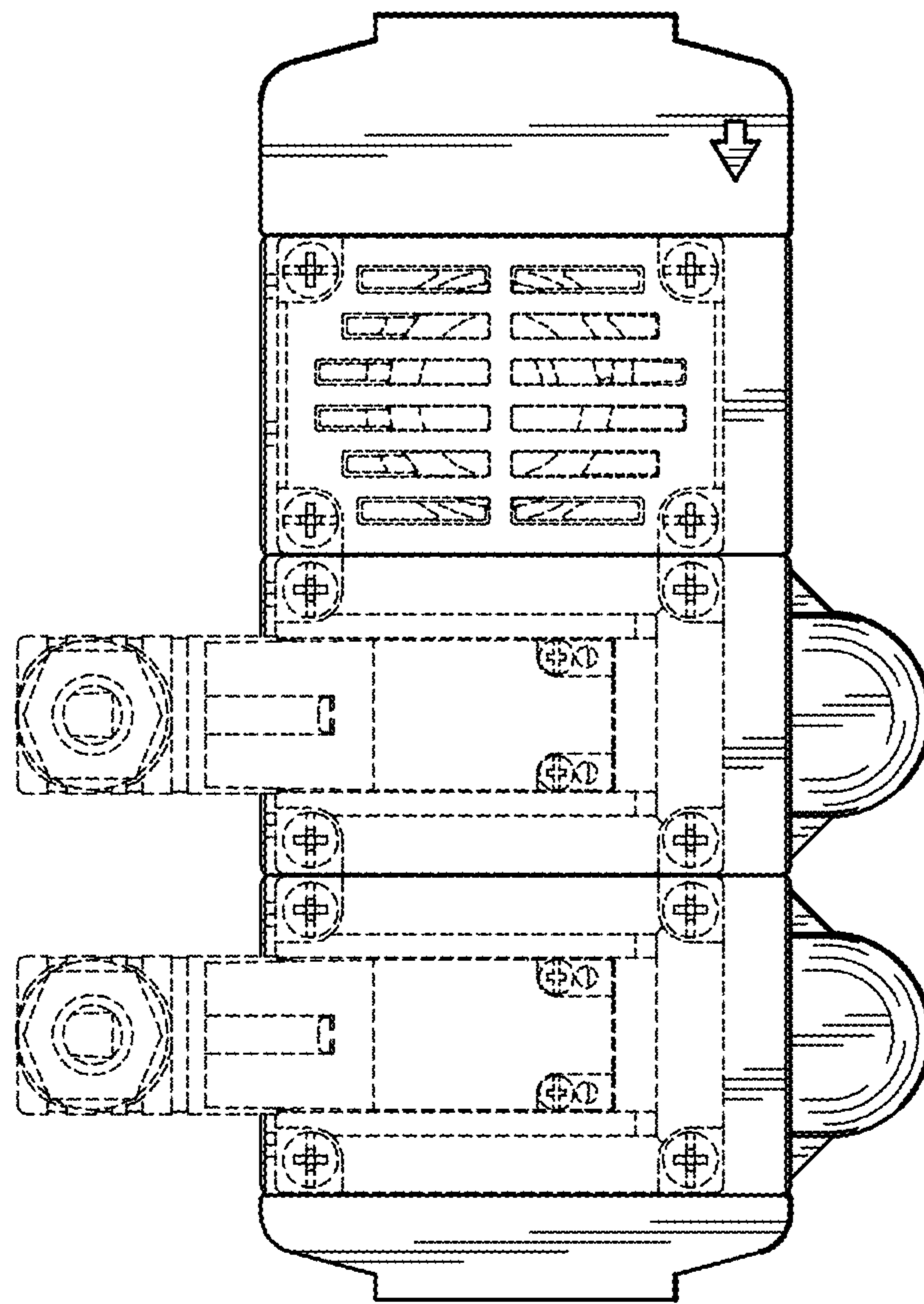


FIG. 7

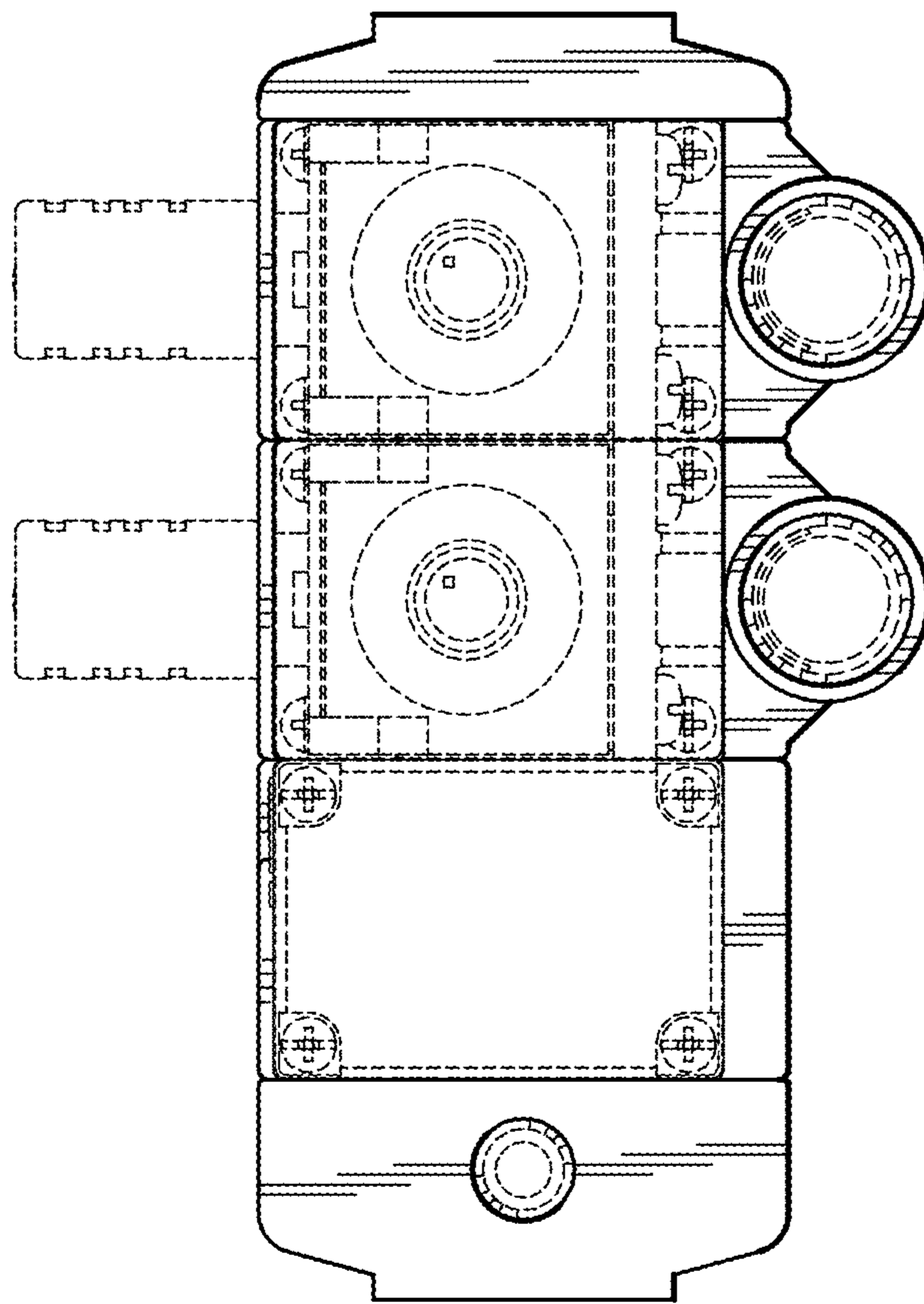


FIG. 8