



US00D961730S

(12) **United States Design Patent**
Yoshida et al.

(10) **Patent No.:** **US D961,730 S**

(45) **Date of Patent:** **** Aug. 23, 2022**

(54) **ELECTROMAGNETIC VALVE**

(71) Applicant: **SMC CORPORATION**, Tokyo (JP)

(72) Inventors: **Masaru Yoshida**, Ushiku (JP); **Kenichi Matsumura**, Kashiwa (JP); **Yoichi Kawamura**, Tsukubamirai (JP)

(73) Assignee: **SMC CORPORATION**, Tokyo (JP)

(**) Term: **15 Years**

(21) Appl. No.: **29/761,591**

(22) Filed: **Dec. 10, 2020**

(30) **Foreign Application Priority Data**

Jun. 24, 2020 (JP) 2020-012687 D

(51) **LOC (13) Cl.** **23-01**

(52) **U.S. Cl.**
USPC **D23/233**

(58) **Field of Classification Search**
USPC D23/233, 249
CPC .. F16K 31/0675; F16K 27/029; F16K 31/082;
F16K 11/24; F16K 27/048; F16K 31/02
See application file for complete search history.

(56) **References Cited**

U.S. PATENT DOCUMENTS

D736,894 S * 8/2015 Morodomi D23/233
D740,918 S * 10/2015 Morodomi D23/233

D846,697 S * 4/2019 Yoshimura D23/233
D857,163 S * 8/2019 Yoshimura D23/233
D897,496 S * 9/2020 Yoshimura D23/233
D910,816 S * 2/2021 Yoshida D23/233
D912,207 S * 3/2021 Yoshida D23/233
D914,139 S * 3/2021 Yoshida D23/233
D918,342 S * 5/2021 Yoshida D23/233

* cited by examiner

Primary Examiner — Gino Colan

(74) *Attorney, Agent, or Firm* — Oblon, McClelland, Maier & Neustadt, L.L.P.

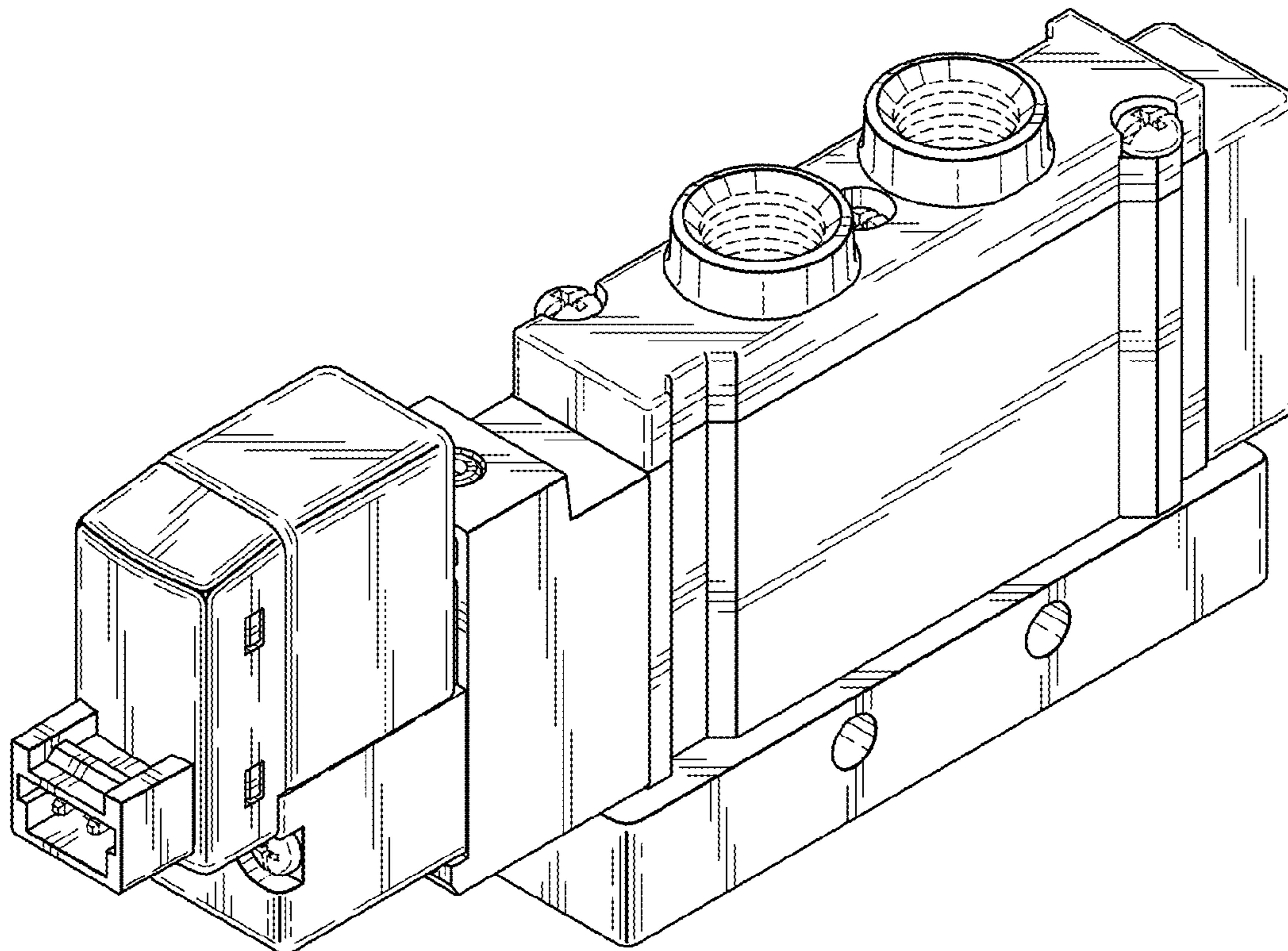
(57) **CLAIM**

The ornamental design for an electromagnetic valve, as shown and described.

DESCRIPTION

FIG. 1 is a front, top, and left side perspective view of an electromagnetic valve showing the new design.
FIG. 2 is a rear, bottom, and right side perspective view thereof.
FIG. 3 is a front, bottom, and left side perspective view thereof.
FIG. 4 is a front elevational view thereof.
FIG. 5 is a rear elevational view thereof.
FIG. 6 is a top plan view thereof.
FIG. 7 is a bottom plan view thereof.
FIG. 8 is a left side elevational view thereof; and,
FIG. 9 is a right side elevational view thereof.
The broken lines depict portions of the electromagnetic valve that form no part of the claimed design.

1 Claim, 8 Drawing Sheets



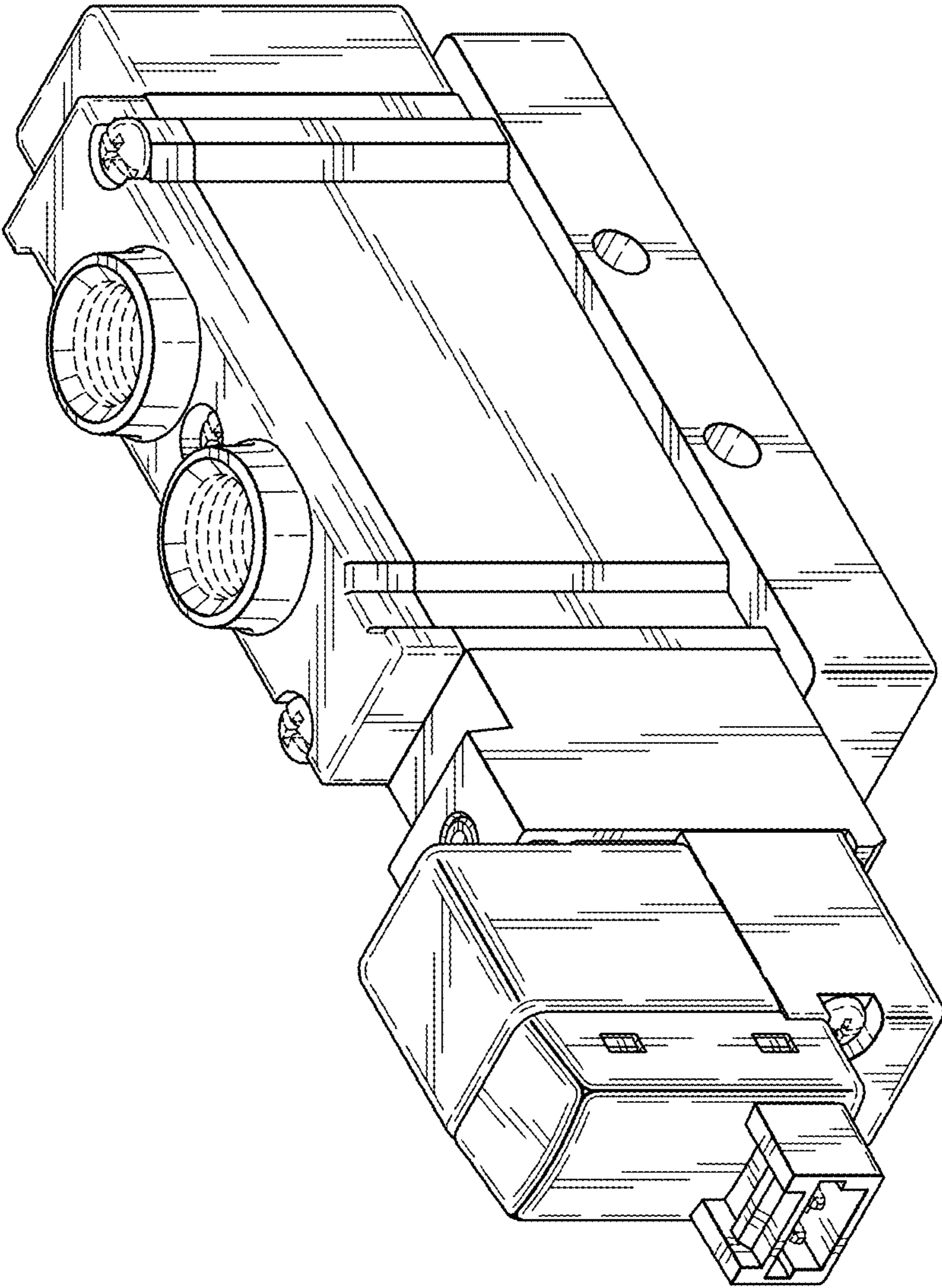


FIG. 1

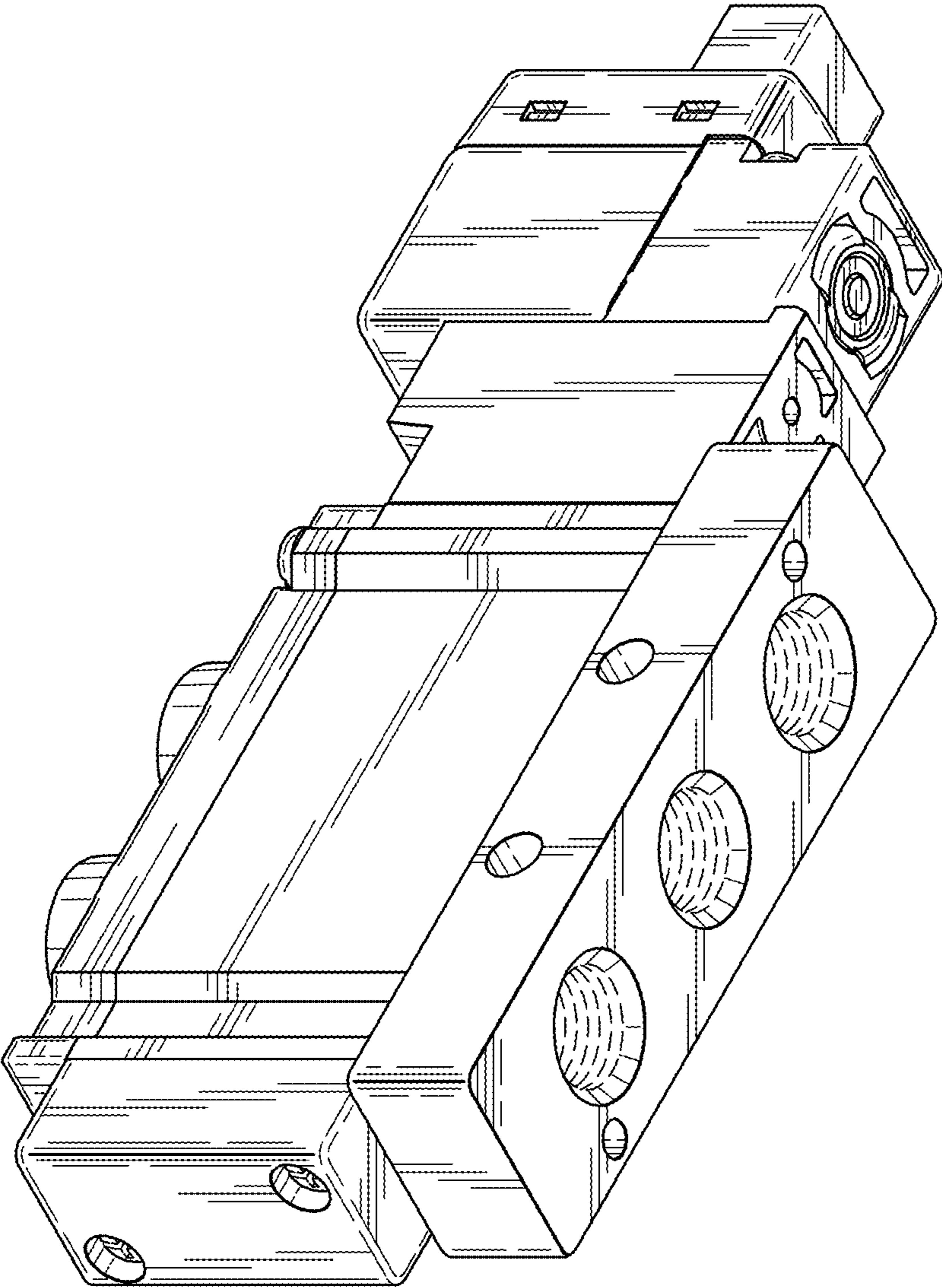


FIG. 2

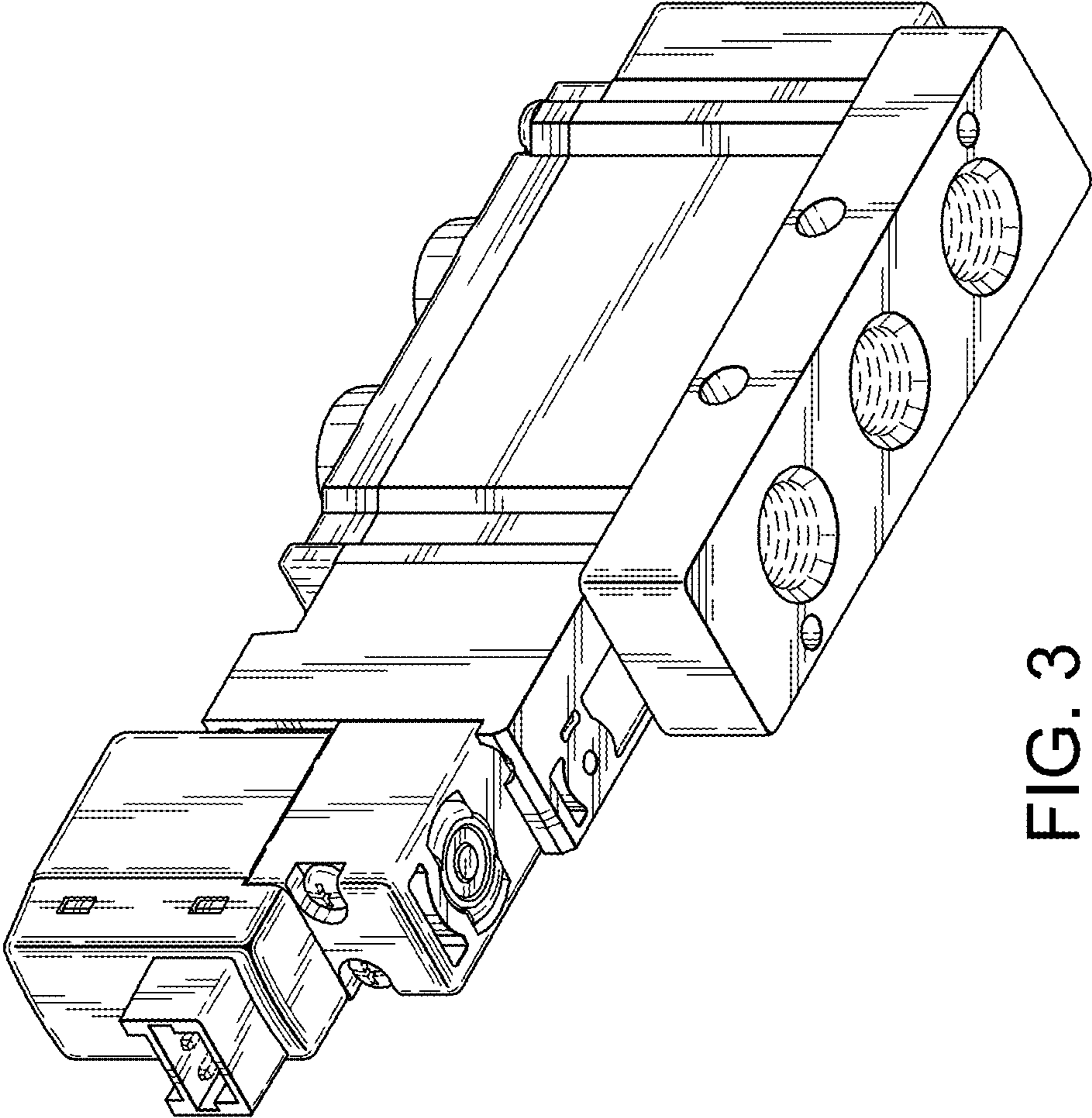


FIG. 3

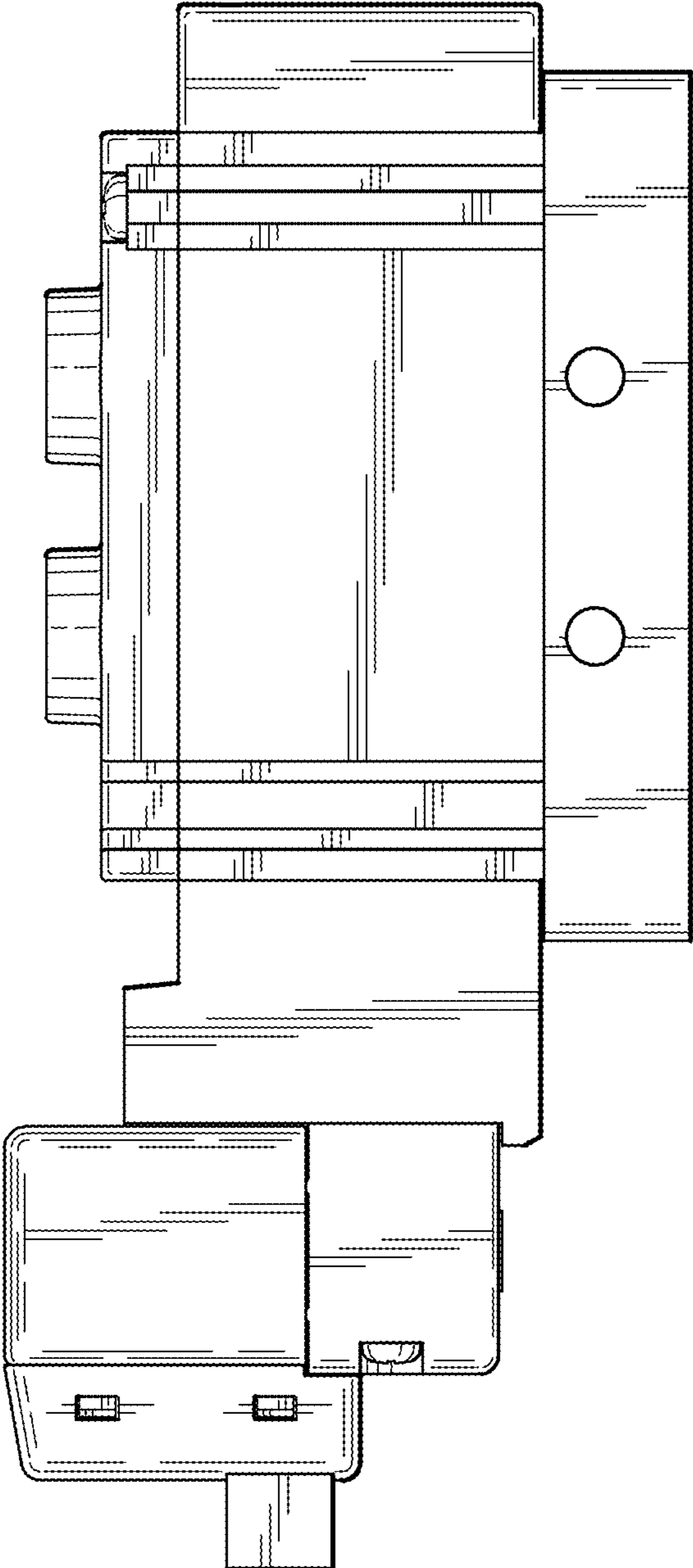


FIG. 4

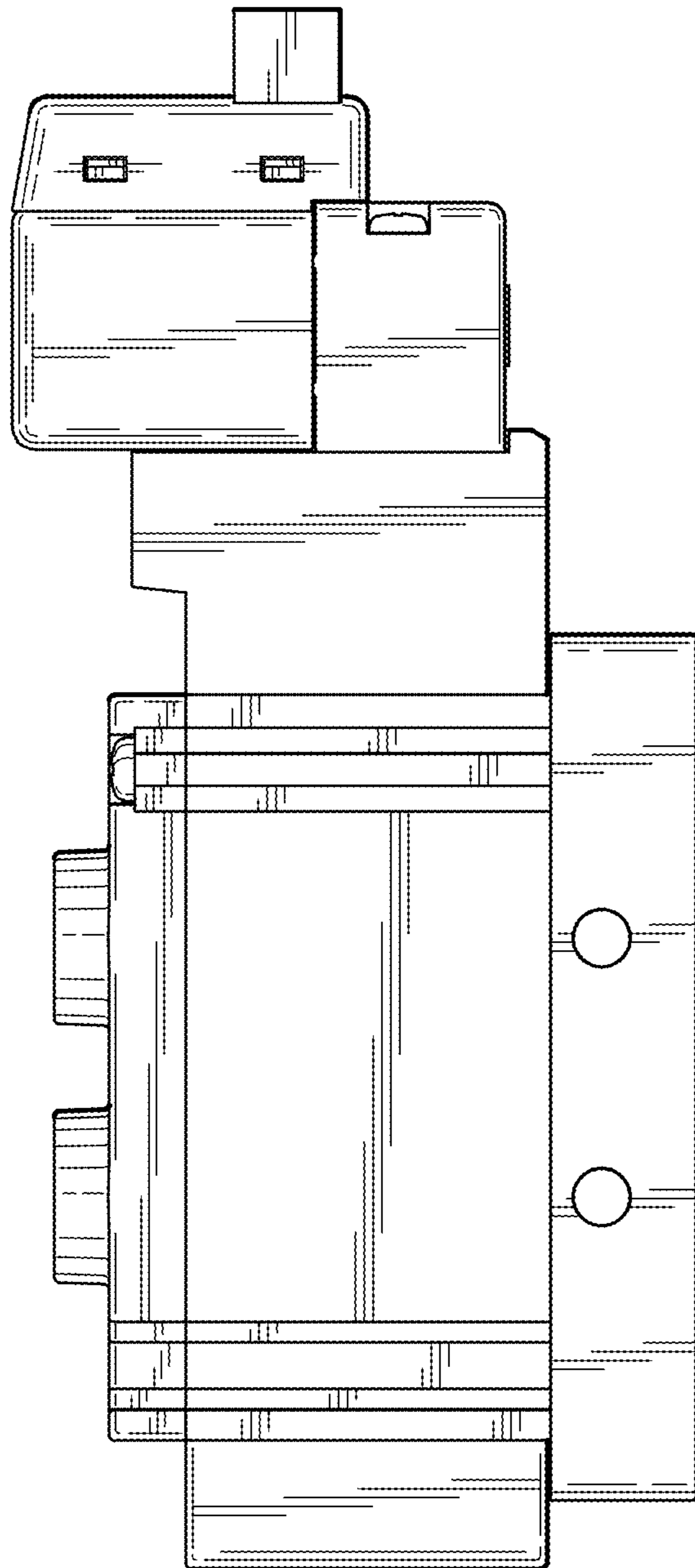


FIG. 5

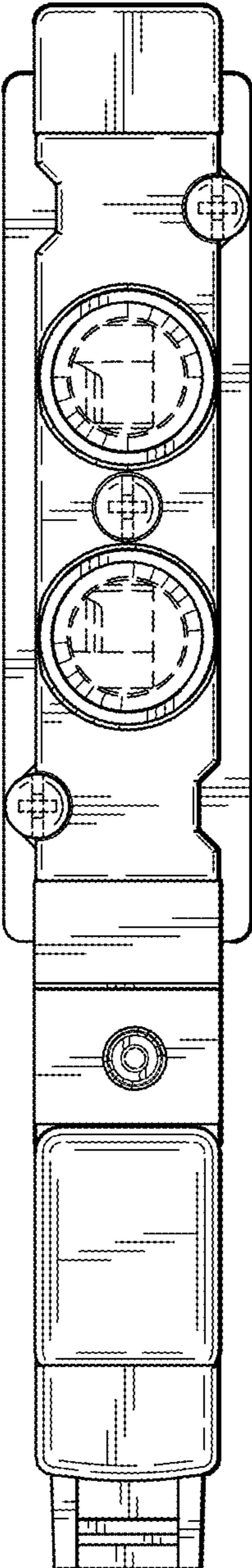


FIG. 6

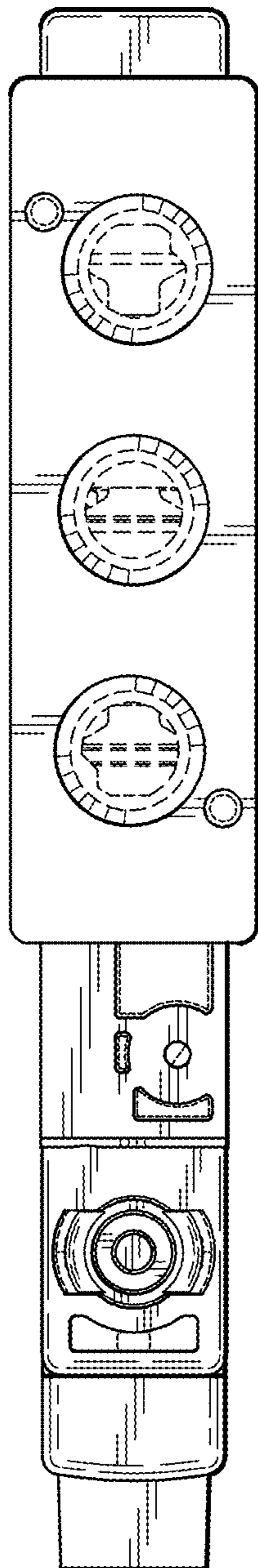


FIG. 7

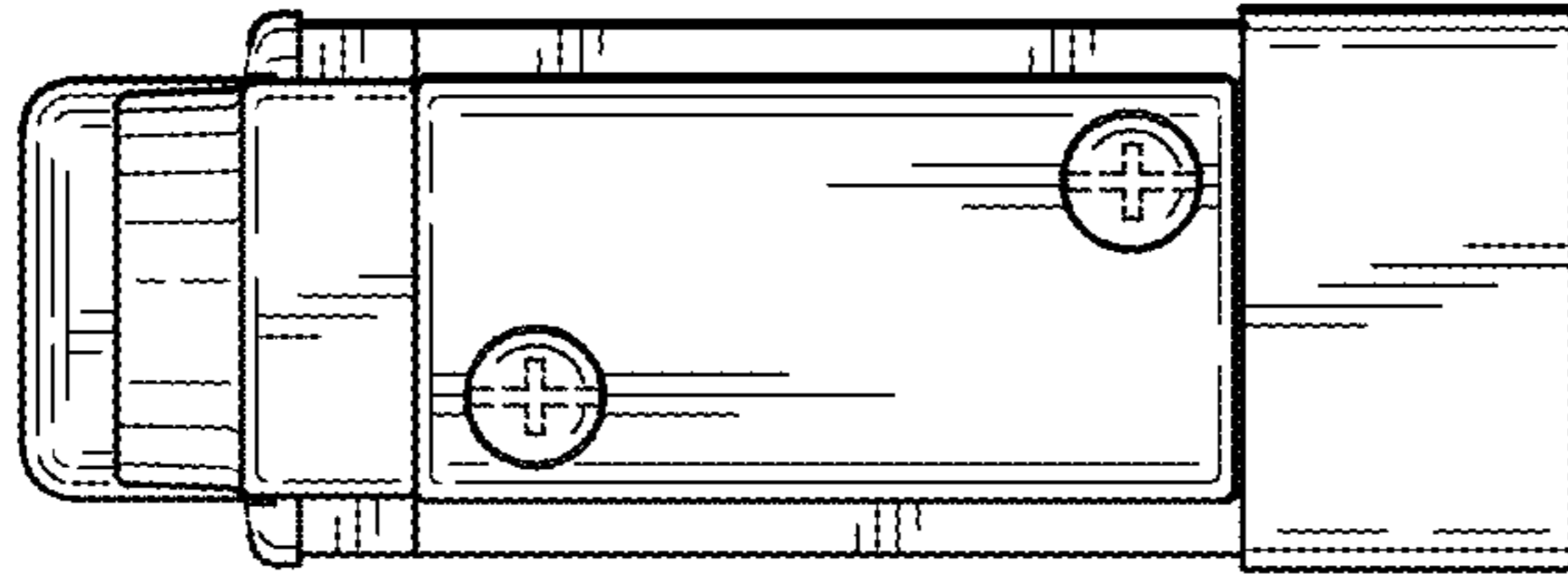


FIG. 9

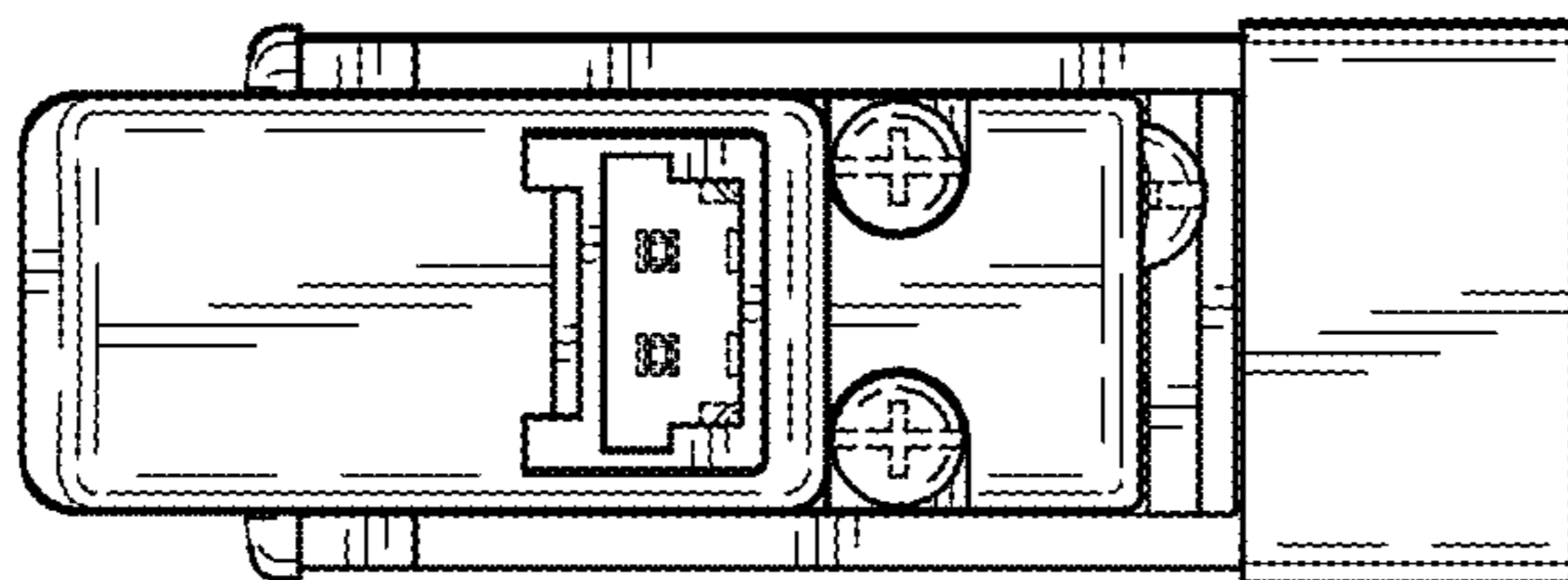


FIG. 8